

# K DESIGN BARN DOOR WOOD DOOR



6'8" KNOTTY ALDER



- 1-3/8" thick
- Doors are full size in width and height
- Stile and Rail Construction with LVL core for strength and stability
- Constructed with wood dowels at every stile and rail intersection so joints don't come apart
- V Grooves simulate wood planking

## Sizes Available

Dimensions	Availability	Panels
1'0" x 6'8"	NA	NA
1'2" x 6'8"	NA	NA
1'3" x 6'8"	NA	NA
1'4" x 6'8"	NA	NA
1'6" x 6'8"	NA	NA
1'8" x 6'8"	NA	NA
2'0" x 6'8"	√	2
2'2" x 6'8"	NA	NA
2'4" x 6'8"	√	2
2'6" x 6'8"	√	2
2'8" x 6'8"	√	2
2'10" x 6'8"	NA	NA
3'0" x 6'8"	√	2
3'6" x 6'8"	√	2

NOTE: Items designated with a √ are available for order. NA for Not Available.

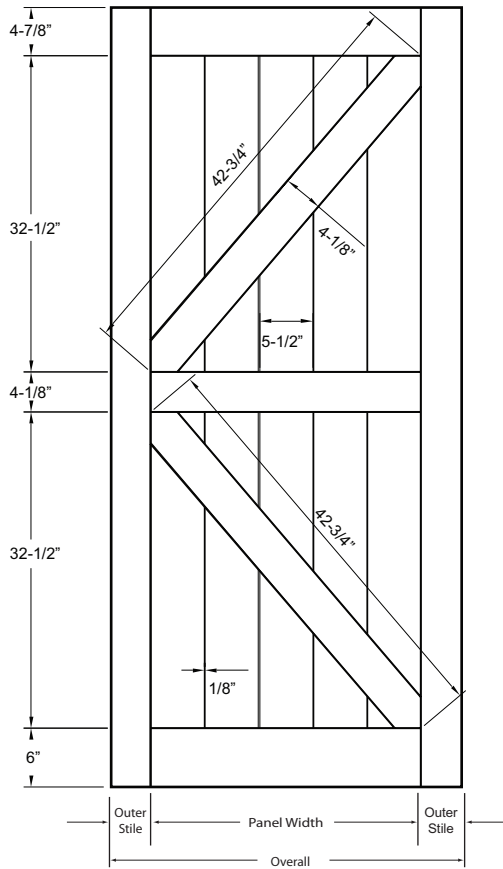


# K DESIGN BARN DOOR WOOD DOOR

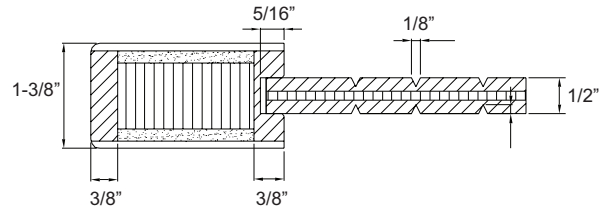
6'8"

## Standard Dimensions

### DOOR DIMENSIONS



### CROSS SECTION



Slab Size	Slab Overall	Panel Width	Center Stile	Outer Stile
1'0" x 6'8"	1'0"	NA	NA	NA
1'2" x 6'8"	1'2"	NA	NA	NA
1'3" x 6'8"	1'3"	NA	NA	NA
1'4" x 6'8"	1'4"	NA	NA	NA
1'6" x 6'8"	1'6"	NA	NA	NA
1'8" x 6'8"	1'8"	NA	NA	NA
2'0" x 6'8"	2'0"	1'3-3/4"	NA	4-1/8"

Slab Size	Slab Overall	Panel Width	Center Stile	Outer Stile
2'2" x 6'8"	2'2"	NA	NA	NA
2'4" x 6'8"	2'4"	1'7-3/4"	NA	4-1/8"
2'6" x 6'8"	2'6"	1'9-3/4"	NA	4-1/8"
2'8" x 6'8"	2'8"	1'11-3/4"	NA	4-1/8"
2'10" x 6'8"	2'10"	NA	NA	NA
3'0" x 6'8"	3'0"	2'3-3/4"	NA	4-1/8"
3'6" x 6'8"	3'6"	2'9-3/4"	NA	4-1/8"