

6 PANEL WOOD DOORS



6'8" KNOTTY ALDER



SOLID CORE DOOR

- 1-3/8" thick
- Stile and rail construction
- Scoop panel design

Sizes Available		
Dimensions	Availability	Panels
1'0" x 6'8"	√	3
1'2" x 6'8"	NA	NA
1'3" x 6'8"	√	3
1'4" x 6'8"	√	3
1'6" x 6'8"	√	3
1'8" x 6'8"	√	3
1'10" x 6'8"	√	3
2'0" x 6'8"	√	6
2'2" x 6'8"	√	6
2'4" x 6'8"	√	6
2'6" x 6'8"	√	6
2'8" x 6'8"	√	6
2'10" x 6'8"	√	6
3'0" x 6'8"	√	6

NOTE: Items designated with an X are cut from larger size skins.
Items designated with a √ are available for order. NA for Not Available.

Building Quality Doors Since 1866

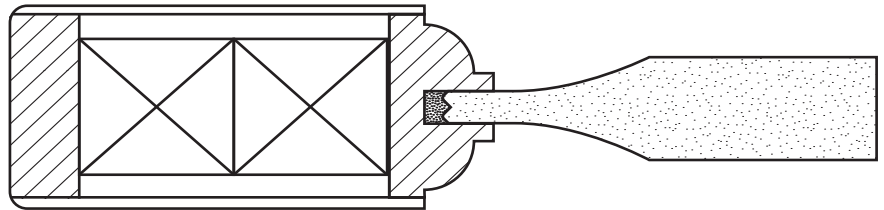
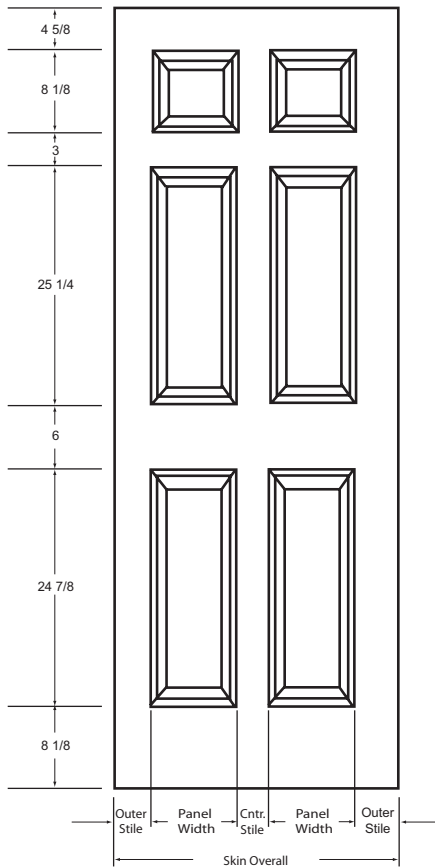
6 PANEL WOOD DOORS

6'8" KNOTTY ALDER



Standard Dimensions*

DOOR DIMENSIONS



Scoop Panel Design

Slab Size	Slab Overall	Panel Width	Center Stile	Outer Stile	Slab Size	Slab Overall	Panel Width	Center Stile	Outer Stile
1'0" x 6'8"	0'11-7/8"	7-5/8"	NA	2-1/8"	2'0" x 6'8"	1'11-7/8"	11-5/8"	NA	4-1/8"
1'2" x 6'8"	NA	NA	NA	NA	2'2" x 6'8"	2'1-7/8"	13-5/8"	NA	4-1/8"
1'3" x 6'8"	1'2-7/8"	10-5/8"	NA	2-1/8"	2'4" x 6'8"	2'3-7/8"	15-5/8"	NA	4-1/8"
1'4" x 6'8"	1'3-7/8"	11-5/8"	NA	2-1/8"	2'6" x 6'8"	2'5-7/8"	17-5/8"	NA	4-1/8"
1'6" x 6'8"	1'5-7/8"	9-5/8"	NA	4-1/8"	2'8" x 6'8"	2'7-7/8"	19-5/8"	NA	4-1/8"
1'8" x 6'8"	1'7-7/8"	11-7/8"	NA	4-1/8"	2'10" x 6'8"	2'9-7/8"	21-5/8"	NA	4-1/8"
1'10" x 6'8"	1'9-7/8"	12-7/8"	NA	4-1/8"	3'0" x 6'8"	2'11-7/8"	23-5/8"	NA	4-1/8"