

4 PANEL SQUARETOP WOOD DOORS



6'8" CLEAR PINE



SOLID CORE DOOR

- 1-3/8" thick
- Stile and rail construction
- Double hip panel design

Sizes Available

Dimensions	Availability	Panels
1'0" x 6'8"	NA	NA
1'2" x 6'8"	NA	NA
1'3" x 6'8"	NA	NA
1'4" x 6'8"	√	2
1'6" x 6'8"	√	2
1'8" x 6'8"	NA	NA
2'0" x 6'8"	√	4
2'2" x 6'8"	NA	NA
2'4" x 6'8"	√	4
2'6" x 6'8"	√	4
2'8" x 6'8"	√	4
2'10" x 6'8"	NA	NA
3'0" x 6'8"	√	4

NOTE: Items designated with an X are cut from larger size skins.
Items designated with a √ are available for order. NA for Not Available.

Building Quality Doors Since 1866

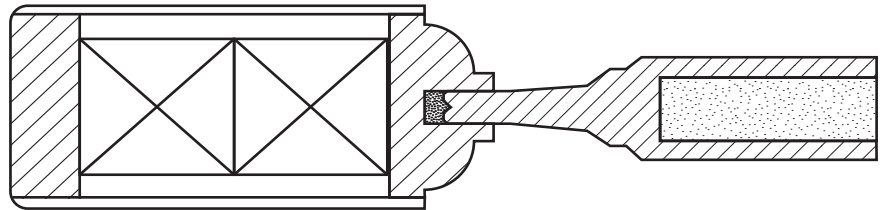
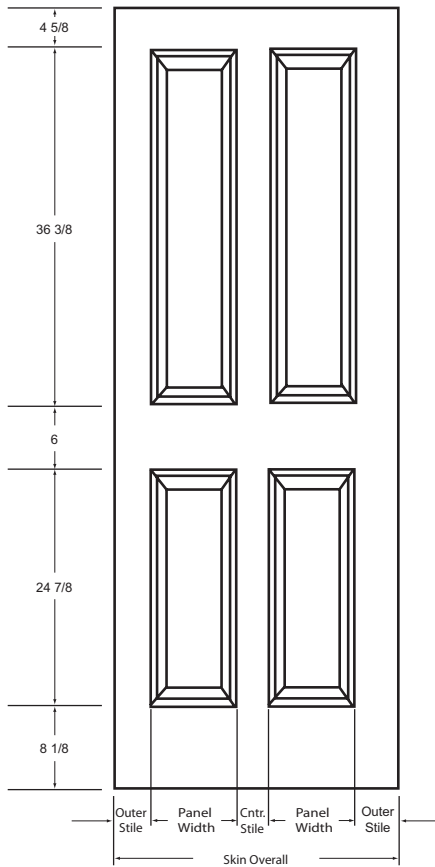
4 PANEL SQUARETOP WOOD DOORS

6'8" CLEAR PINE



Standard Dimensions*

DOOR DIMENSIONS



Double Hip Panel Design

Slab Size	Slab Overall	Panel Width	Center Stile	Outer Stile	Slab Size	Slab Overall	Panel Width	Center Stile	Outer Stile
1'0" x 6'8"	1'0-3/8"	NA	NA	NA	2'2" x 6'8"	2'2-3/8"	NA	NA	NA
1'2" x 6'8"	1'2-3/8"	NA	NA	NA	2'4" x 6'8"	2'4-3/8"	2'4-3/8"	8"	3-3/4"
1'3" x 6'8"	1'3-3/8"	NA	NA	NA	2'6" x 6'8"	2'6-3/8"	2'6-3/8"	9"	3-3/4"
1'4" x 6'8"	1'4-3/8"	8-7/8"	NA	3-3/4"	2'8" x 6'8"	2'8-3/8"	2'8-3/8"	10"	3-3/4"
1'6" x 6'8"	1'6-3/8"	10-7/8"	NA	3-3/4"	2'10" x 6'8"	2'10-3/8"	NA	NA	NA
1'8" x 6'8"	1'8-3/8"	NA	NA	NA	3'0" x 6'8"	3'0-3/8"	3'0-3/8"	1'0"	3-3/4"
2'0" x 6'8"	2'0-3/8"	2'0-3/8"	6"	3-3/4"					