

2 PANEL PLANK SQUARETOP WOOD DOORS



6'8" KNOTTY PINE



SOLID CORE DOOR

- 1-3/8" thick
- Stile and rail construction
- Double hip panel design

Sizes Available		
Dimensions	Availability	Panels
1'0" x 6'8"	NA	NA
1'2" x 6'8"	NA	NA
1'3" x 6'8"	NA	NA
1'4" x 6'8"	NA	NA
1'6" x 6'8"	√	2
1'8" x 6'8"	NA	NA
2'0" x 6'8"	√	2
2'2" x 6'8"	NA	NA
2'4" x 6'8"	√	2
2'6" x 6'8"	√	2
2'8" x 6'8"	√	2
2'10" x 6'8"	NA	NA
3'0" x 6'8"	√	2

NOTE: Items designated with an X are cut from larger size skins.
Items designated with a √ are available for order. NA for Not Available.

Building Quality Doors Since 1866

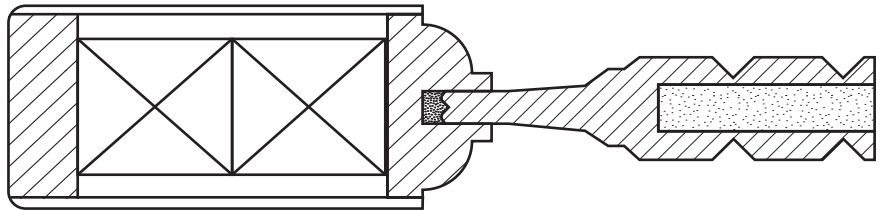
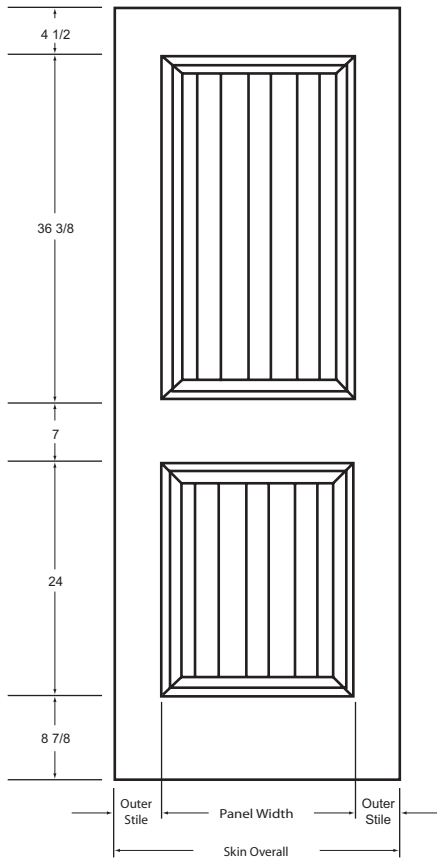
2 PANEL PLANK SQUARETOP WOOD DOORS

6'8" KNOTTY PINE



Standard Dimensions*

DOOR DIMENSIONS



Double Hip V-Groove Panel Design

Slab Size	Slab Overall	Panel Width	Center Stile	Outer Stile	Slab Size	Slab Overall	Panel Width	Center Stile	Outer Stile
1'0" x 6'8"	1'0-3/8"	NA	NA	NA	2'2" x 6'8"	2'2-3/8"	NA	NA	NA
1'2" x 6'8"	1'2-3/8"	NA	NA	NA	2'4" x 6'8"	2'4-3/8"	1'8-1/8"	NA	4-1/8"
1'3" x 6'8"	1'3-3/8"	NA	NA	NA	2'6" x 6'8"	2'6-3/8"	1'10-1/8"	NA	4-1/8"
1'4" x 6'8"	1'4-3/8"	NA	NA	NA	2'8" x 6'8"	2'8-3/8"	2'0-1/8"	NA	4-1/8"
1'6" x 6'8"	1'6-3/8"	NA	NA	NA	2'10" x 6'8"	2'10-3/8"	NA	NA	NA
1'8" x 6'8"	1'8-3/8"	NA	NA	NA	3'0" x 6'8"	3'0-3/8"	2'4-1/8"	NA	4-1/8"
2'0" x 6'8"	2'0-3/8"	1'6-1/8"	NA	4-1/8"					