

2 PANEL STEEL SIDELITE SIDELITE OPTION

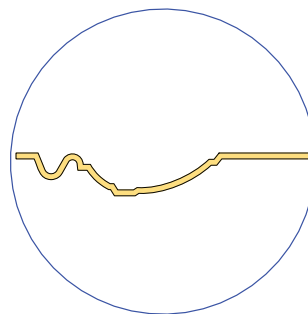
6'8"



2 PANEL STEEL SIDELITE

- High - definition panel design
- Closed - cell polystyrene core maintains U - factor and will not hold moisture
- Galvanized, primed steel skin

Sizes Available		
Dimensions	Availability	Panels
10" x 6'8"	N/A	N/A
1'0" x 6'8"	√	2
1'2" x 6'8"	√	2
1'4" x 6'8"	√	2
1'6" x 6'8"	√	2
1'8" x 6'8"	N/A	N/A
2'0" x 6'8"	N/A	N/A



PANEL PROFILE

Building Quality Doors Since 1866



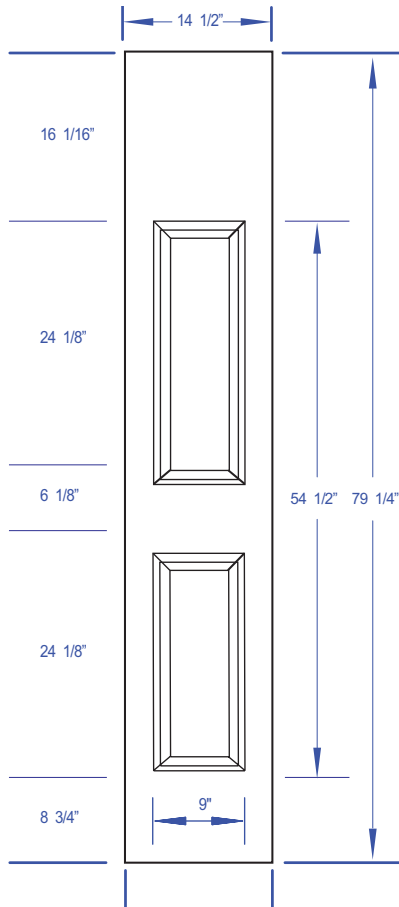
2 PANEL STEEL SIDELITE

6'8" SIDELITE OPTION

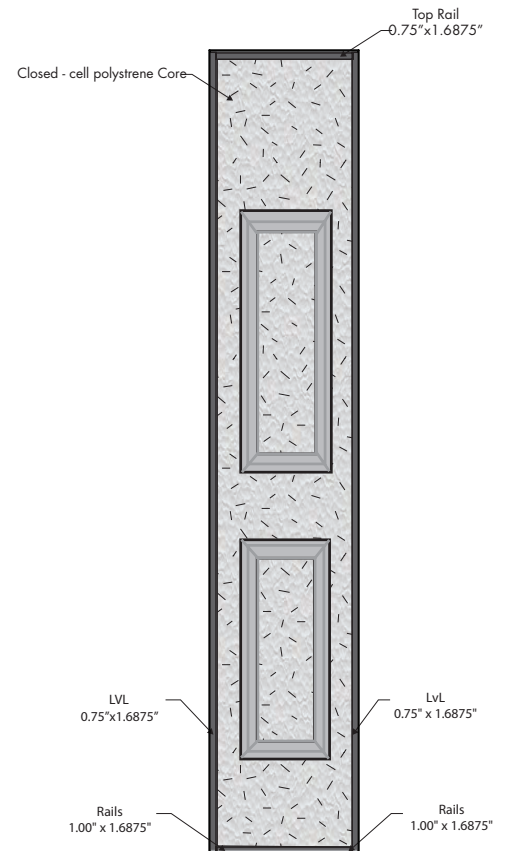


Standard Dimensions*

SIDELITE DIMENSIONS



CORE CONSTRUCTION



Sidelite Size	SideLite Overall	Panel Height	Panel Width	Center Stile	Outer Stile
10" x 6'8"	N/A	N/A	N/A	N/A	N/A
1'0" x 6'8"	79 1/4"	54 1/2"	9"	N/A	4. 13/16"
1'2" x 6'8"	79 1/4"	54 1/2"	9"	N/A	4. 13/16"
1'4" x 6'8"	79 1/4"	54 1/2"	9"	N/A	4. 13/16"
1'6" x 6'8"	79 1/4"	54 1/2"	9"	N/A	4. 13/16"
1'8" x 6'8"	N/A	N/A	N/A	N/A	N/A
2'0" x 6'8"	N/A	N/A	N/A	N/A	N/A