

3 PANEL SHAKER EQUAL MOLDED DOORS



SMOOTH

7'0" SQUARE

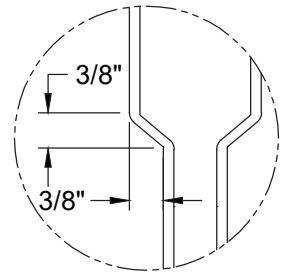


HOLLOW CORE DOOR

- 1-3/8" and 1-3/4" hollow core
- Fiberwood or Fingerjoint stiles and rails

SOLID CORE DOOR

- 1-3/8" and 1-3/4" solid core
- Gives solid feel with sound reduction
- Fingerjoint stiles and rails



Square profile

Sizes Available

Dimensions	Availability	Panels
1'0" x 7'0"	X	3
1'2" x 7'0"	X	3
1'3" x 7'0"	X	3
1'4" x 7'0"	X	3
1'6" x 7'0"	X	3
1'8" x 7'0"	X	3
1'10" x 7'0"	√	3
2'0" x 7'0"	√	3
2'2" x 7'0"	X	3
2'4" x 7'0"	√	3
2'6" x 7'0"	√	3
2'8" x 7'0"	X	3
2'10" x 7'0"	√	3
3'0" x 7'0"	√	3

NOTE: Items designated with an X are cut from larger size skins.
Items designated with a √ are available for order. NA for Not Available.

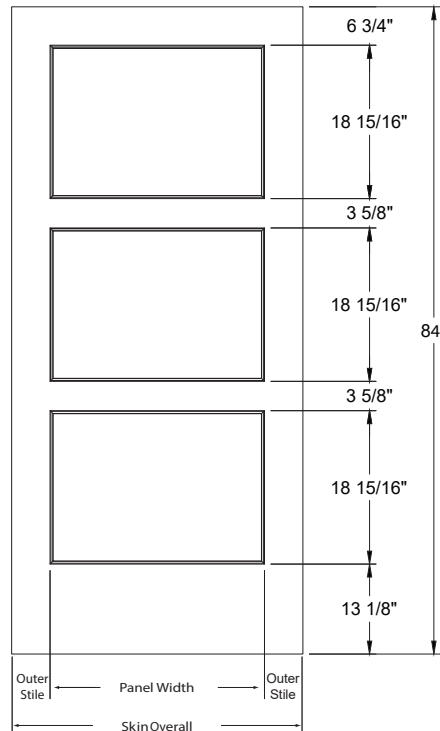
3 PANEL EQUAL SHAKER MOLDED DOORS

SMOOTH 7'0" SQUARE



Standard Dimensions

DOOR DIMENSIONS



Skin Size	Skin Overall	Panel Width	Center Stile	Outer Stile	Skin Size	Skin Overall	Panel Width	Center Stile	Outer Stile
1'0" x 7'0"	1'0-3/8"	6"	NA	3"	2'0" x 7'0"	2'2-3/8"	15 1/2"	NA	5 1/4"
1'2" x 7'0"	1'3-3/8"	7 1/2"	NA	3 3/4"	2'2" x 7'0"	2'2-3/8"	15 1/2"	NA	5 1/4"
1'3" x 7'0"	1'3-3/8"	7 1/2"	NA	3 3/4"	2'4" x 7'0"	2'4-3/8"	18 1/2"	NA	4 3/4"
1'4" x 7'0"	1'6-3/8"	9 1/4"	NA	4 3/8"	2'6" x 7'0"	2'6-3/8"	20 1/2"	NA	4 3/4"
1'6" x 7'0"	1'6-3/8"	9 1/4"	NA	4 3/8"	2'8" x 7'0"	2'10-3/8"	22 1/2"	NA	5 3/4"
1'8" x 7'0"	1'10-3/8"	11 1/2"	NA	5 1/4"	2'10" x 7'0"	2'10-3/8"	22 1/2"	NA	5 3/4"
1'10" x 7'0"	1'10-3/8"	11 1/2"	NA	5 1/4"	3'0" x 7'0"	3'0-3/8"	26 1/2"	NA	4 3/4"