

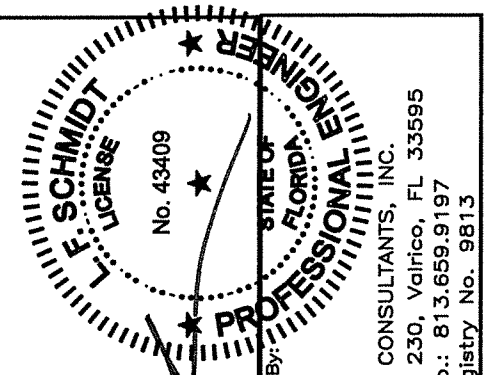
STEVE'S AND SONS

203 Humble Ave.
San Antonio, TX 78225

OPAQUE FIBERGLASS DOOR SINGLE & DOUBLE

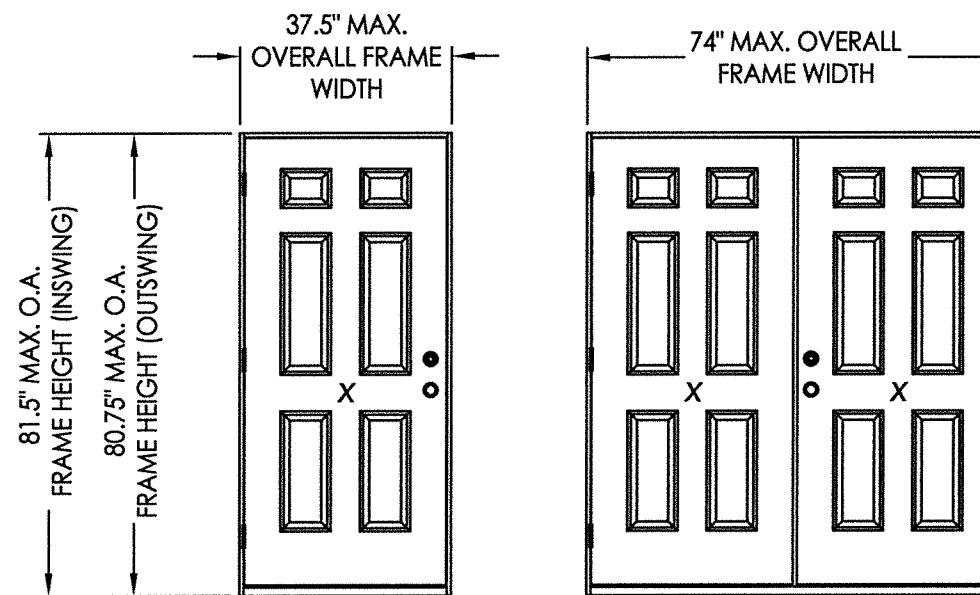
INSWING/OUTSWING "NON-IMPACT"

RELIANT COLLECTION



August 15, 2022
Documents Prepared By:
Lyndon F. Schmidt
P.E. No. 43409

RW BUILDING CONSULTANTS, INC.
P.O. Box 230, Valrico, FL 33595
Phone No.: 813.659.9197
FBPE Registry No. 9813



GENERAL NOTES

1. This product has been evaluated and is in compliance with the 7th Edition (2020) Florida Building Code (FBC) structural requirements excluding the "High Velocity Hurricane Zone" (HVHZ).
2. Product anchors shall be as listed and spaced as shown on details. Anchor embedment to base material shall be beyond wall dressing or stucco.
3. When used in areas requiring wind borne debris protection this product is required to be protected with an impact resistant covering that complies with FBC Sections 1609.1.2 & R301.2.1.2 of the FBC.
4. For 2x stud framing construction, anchoring of these units shall be the same as that shown for 2x buck masonry construction.
5. Site conditions that deviate from the details of this drawing require further engineering analysis by a licensed engineer or registered architect.

TABLE OF CONTENTS

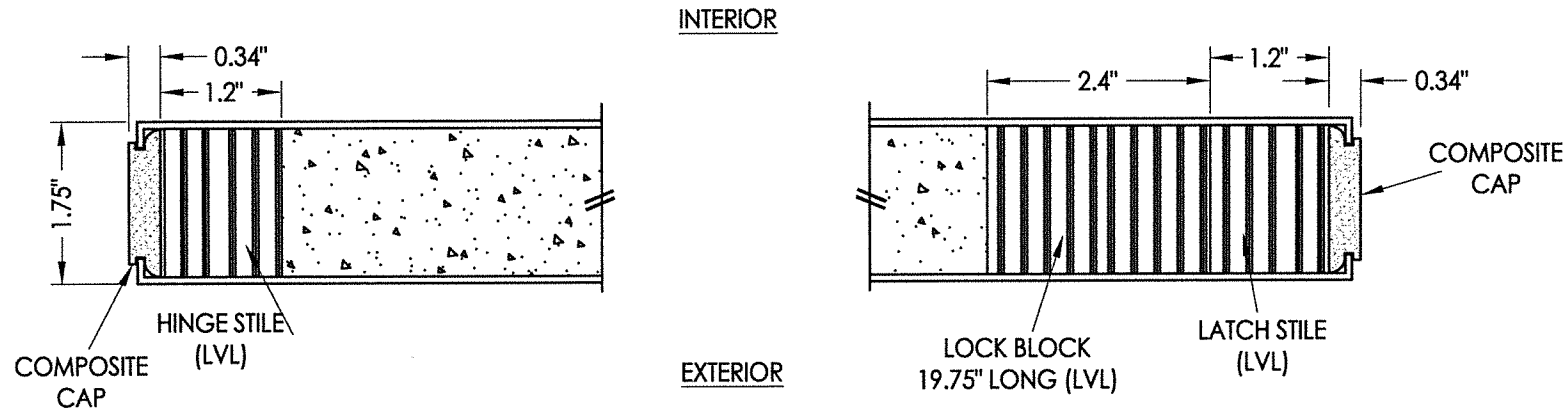
SHEET #	DESCRIPTION	SHEET #	
1	Typical Elevations, Design Pressures & General Notes	6	Horizontal & Vertical Cross Sections (Direct to Masonry)
2	Door Panel Details	7	Vertical Cross Sections
3	Elevations	8	Buck Anchoring
4	Horizontal & Vertical Cross Sections (2X Buck)	9	Frame Anchoring & Hardware Details
5	Horizontal & Vertical Cross Sections (1X Buck)	10	Bill of Materials & Components

CONFIGURATION	MAX. FRAME DIMENSION	DESIGN PRESSURE (PSF) INSWING		DESIGN PRESSURE (PSF) OUTSWING	
		POSITIVE	NEGATIVE	POSITIVE	NEGATIVE
X	37.5" x 81.5"	+60.0	-60.0	+60.0	-60.0
XX	74.0" x 81.5"	+60.0	-60.0	+60.0	-60.0

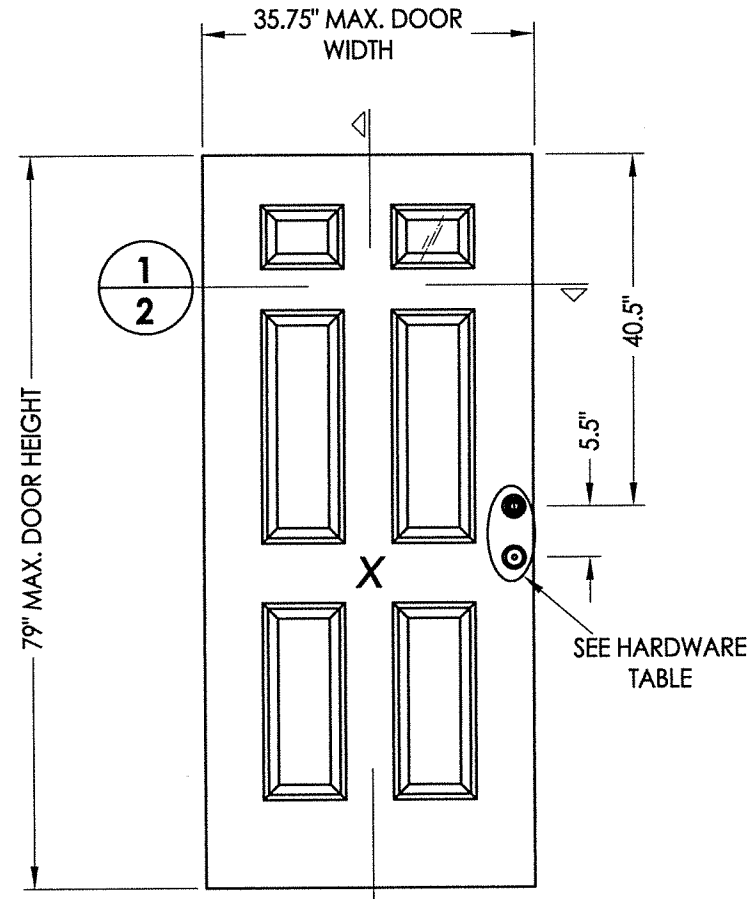
PRODUCT: STEVE'S & SONS FIBERGLASS DOOR
PART OR ASSEMBLY: TYPICAL ELEVATION, DESIGN PRESSURES & GENERAL NOTES

NO.	DATE	BY	REVISIONS

DATE: 8/10/22
SCALE: N.T.S.
DWG. BY: RW
CHK. BY: LFS
DRAWING NO.: FL-41477.5
SHEET 1 of 10

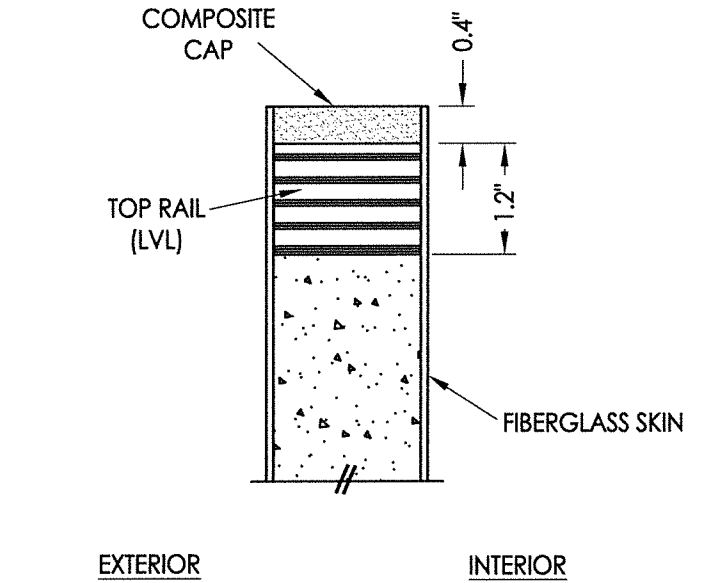


1 HORIZONTAL CROSS SECTION



40 FIBERGLASS DOOR PANEL

HARDWARE TABLE		
MANUFACTURER	MODEL	
KWIKSET	LATCH:	SIGNATURE SERIES
	DEADBOLT:	SIGNATURE SERIES (980)
SCHLAGE	LATCH:	F51
	DEADBOLT:	B60N



2 VERTICAL CROSS SECTION

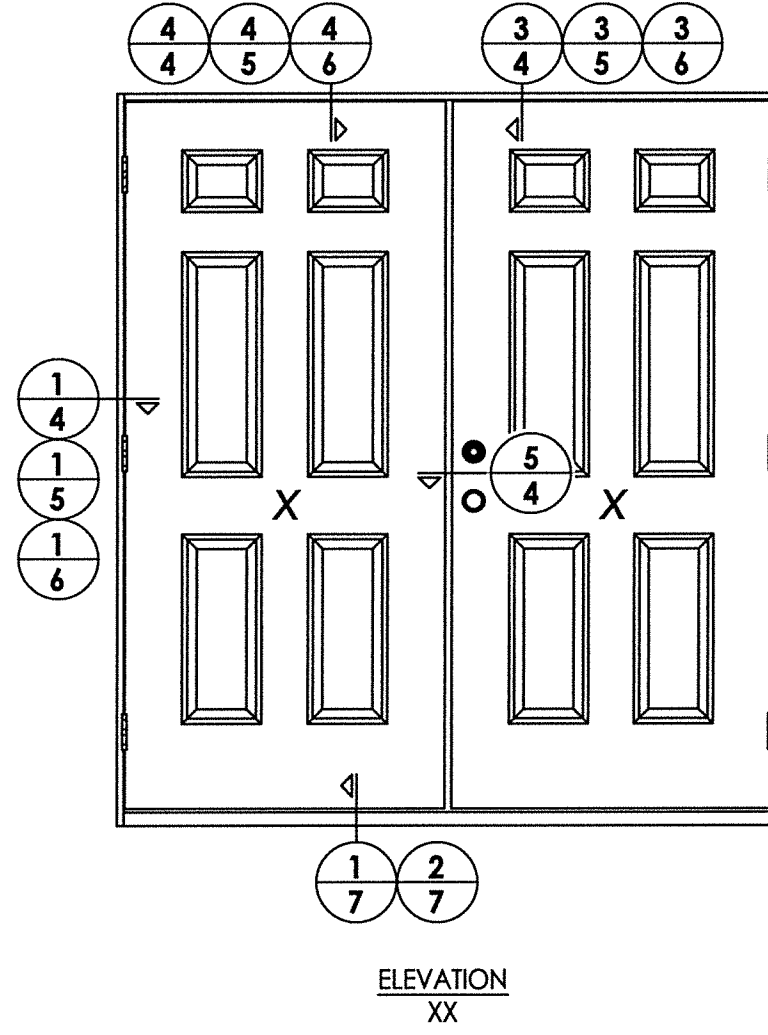
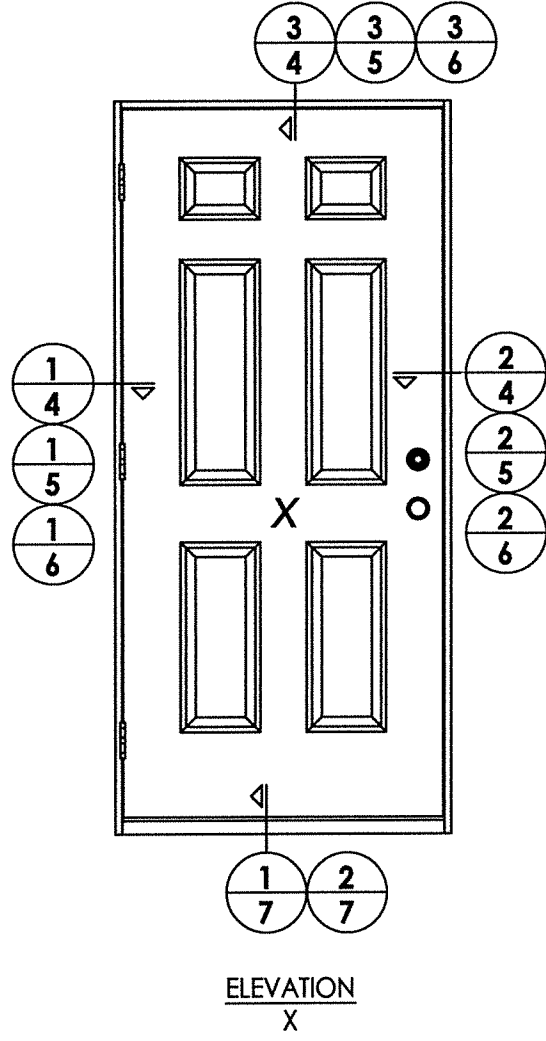
Professional Engineer
 L. F. SCHMIDT
 License No. 43409
 State of Florida

August 15, 2022
 Documents Prepared By: Lyndon F. Schmidt, P.E. No. 43409

RW
 BUILDING CONSULTANTS, INC.
 P.O. Box 230, Valrico, FL 33595
 Phone No.: 813.659.9197
 FBPE Registry No. 9813

PRODUCT:	STEVES & SONS FIBERGLASS DOOR	
PART OR ASSEMBLY:	DOOR PANEL DETAILS	
NO.	DATE	BY
REVISIONS		
DATE: 8/10/22		
SCALE: N.T.S.		
DWG. BY: RW		
CHK. BY: LFS		
DRAWING NO.: FL-41477.5		
SHEET 2 OF 10		

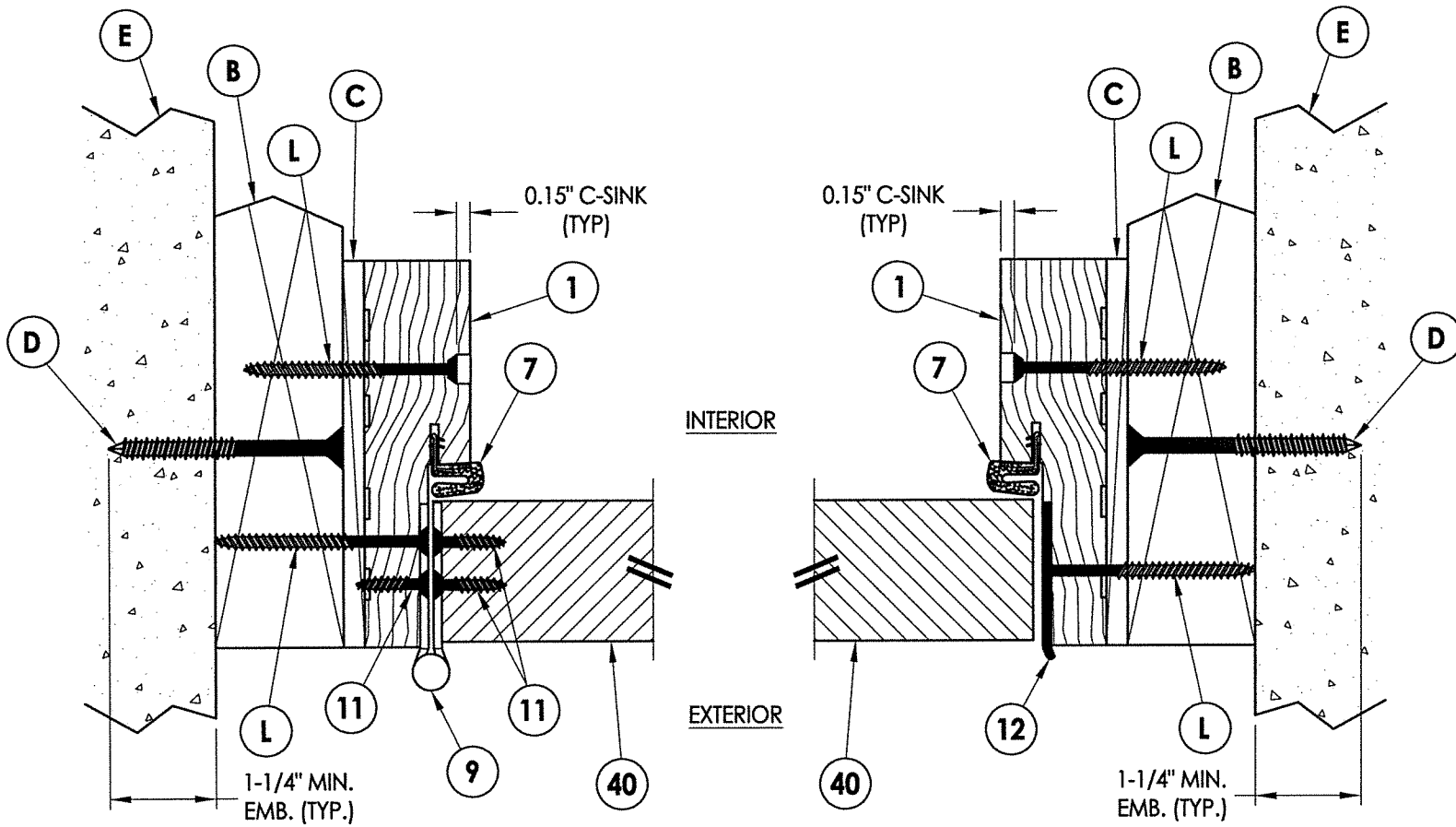
FIBERGLASS DOOR SKIN: MIN. 0.07" THK.
 CORE MATERIAL: POLYURETHANE FOAM



August 15, 2022
 Documents Prepared By:
 Lyndon F. Schmidt
 P.E. No. 43409

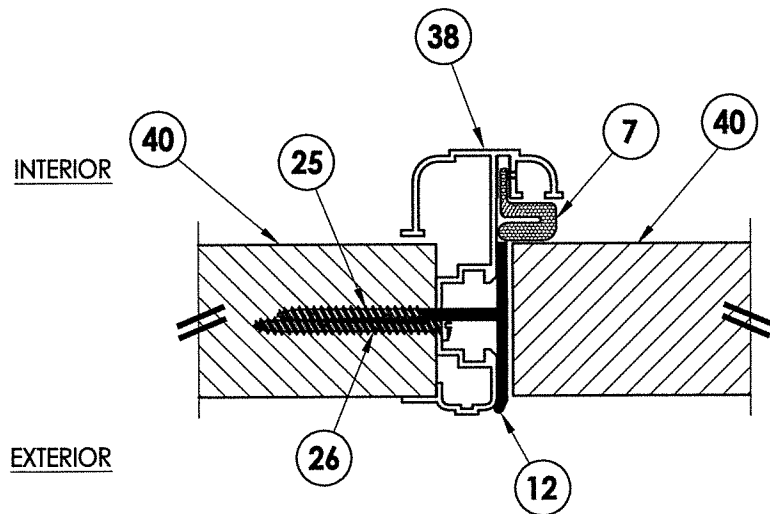
RW BUILDING CONSULTANTS, INC.
 P.O. Box 230, Valrico, FL 33595
 Phone No.: 813.659.9197
 FBPE Registry No. 9813

PRODUCT:	STEVES & SONS FIBERGLASS DOOR	
PART OR ASSEMBLY:	ELEVATIONS	
DATE:	8/10/22	
SCALE:	N.T.S.	
DWG. BY:	RW	
CHK. BY:	LFS	
DRAWING NO.:	FL-41477.5	
SHEET	<u>3</u>	OF <u>10</u>

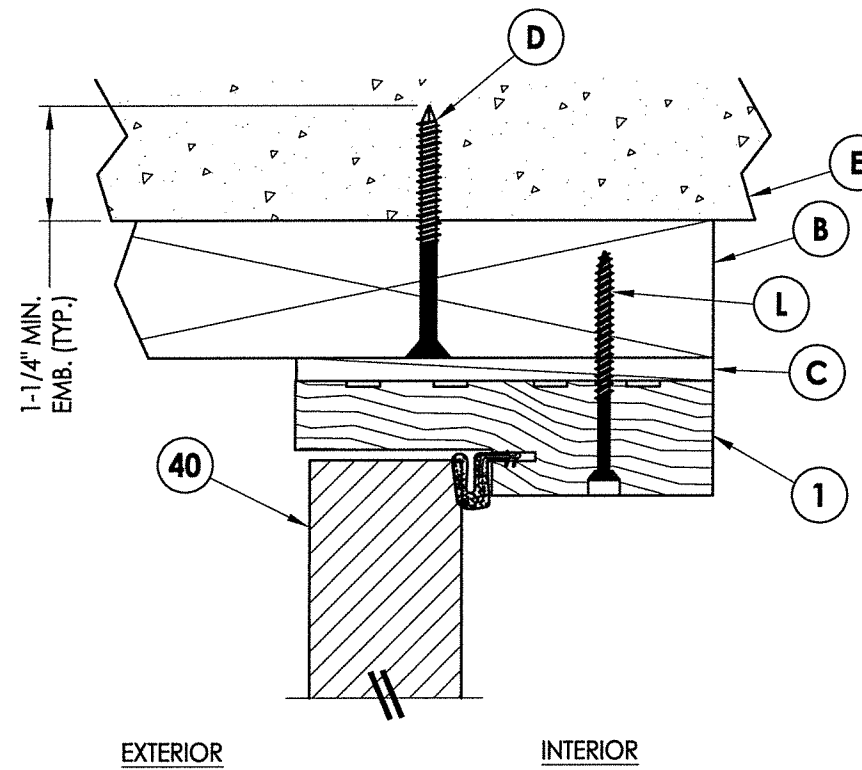


1
4 **HORIZONTAL CROSS SECTION**
Shown w/ 2X Buck
Outswing shown (Inswing similar)

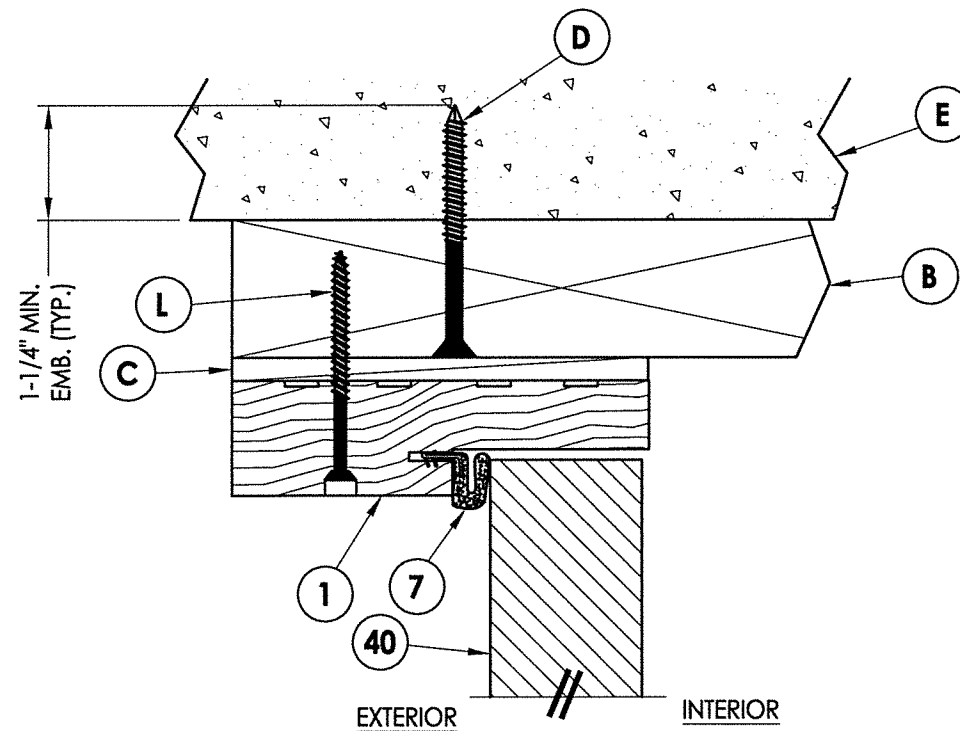
2
4 **HORIZONTAL CROSS SECTION**
Shown w/ 2X Buck
Outswing shown (Inswing similar)



5
4 **HORIZONTAL CROSS SECTION**
Outswing shown (Inswing similar)



3
4 **VERTICAL CROSS SECTION**
Shown w/ 2X Buck
Outswing shown

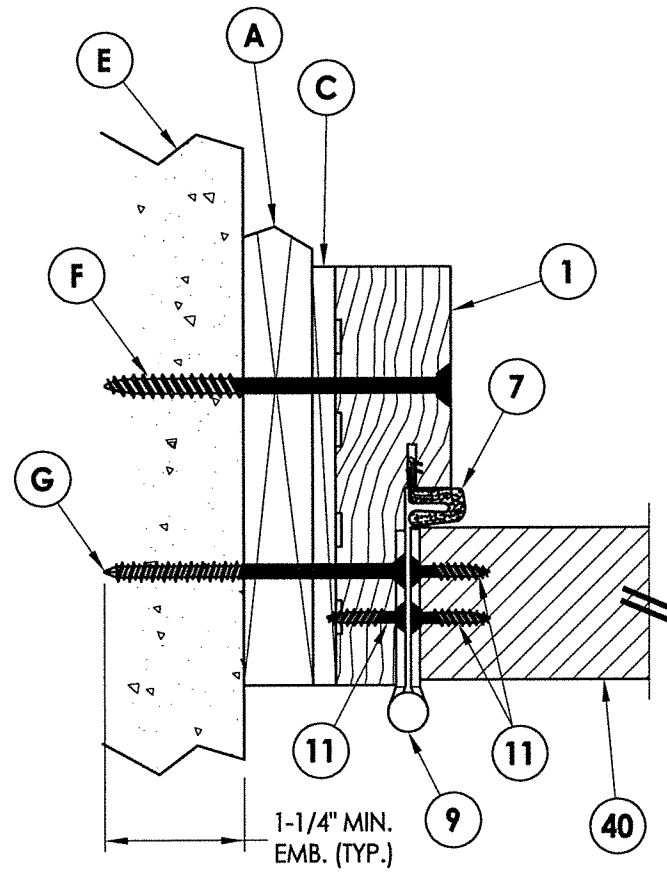


4
4 **VERTICAL CROSS SECTION**
Shown w/ 2X Buck
Inswing shown

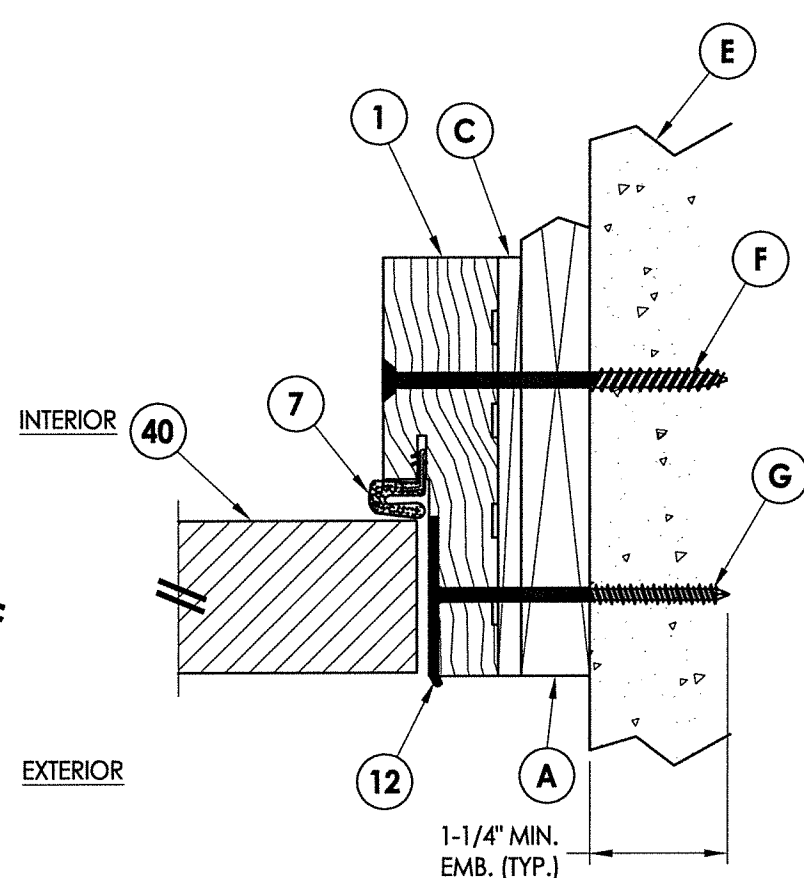
August 15, 2022
 Documents Prepared By:
 Lyndon F. Schmidt
 P.E. No. 43409

RW BUILDING CONSULTANTS, INC.
 P.O. Box 250, Valrico, FL 33595
 Phone No.: 813.659.9197
 FBPE Registry No. 9813

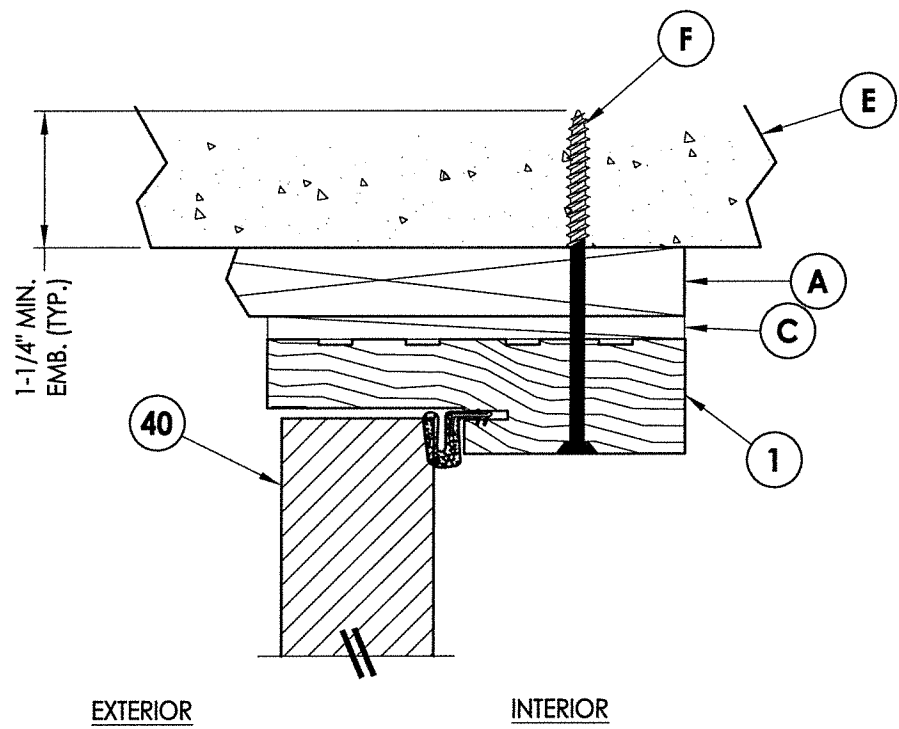
PRODUCT:		STEVES & SONS FIBERGLASS DOOR	
PART OR ASSEMBLY:		HORIZONTAL & VERTICAL CROSS SECTIONS (2X BUCK)	
NO.	DATE	BY	REVISIONS
DATE: 8/10/22		SCALE: N.T.S.	
DWG. BY: RW		CHK. BY: LFS	
DRAWING NO.: FL-41477.5		SHEET 4 OF 10	



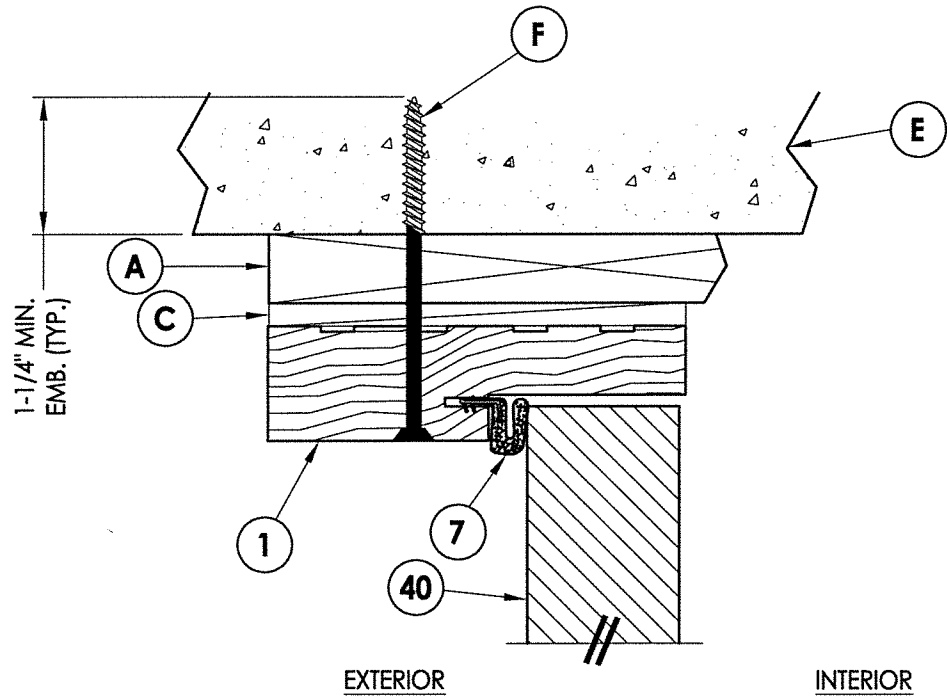
1 HORIZONTAL CROSS SECTION
 5 Shown w/ 1X Buck
 Outswing shown (Inswing similar)



2 HORIZONTAL CROSS SECTION
 5 Shown w/ 1X Buck
 Outswing shown (Inswing similar)



3 VERTICAL CROSS SECTION
 5 Shown w/ 1X Buck
 Outswing shown



4 VERTICAL CROSS SECTION
 5 Shown w/ 1X Buck
 Inswing shown

FLORIDA PROFESSIONAL ENGINEER
 L.F. SCHMIDT
 LICENSE No. 43409
 STATE OF FLORIDA

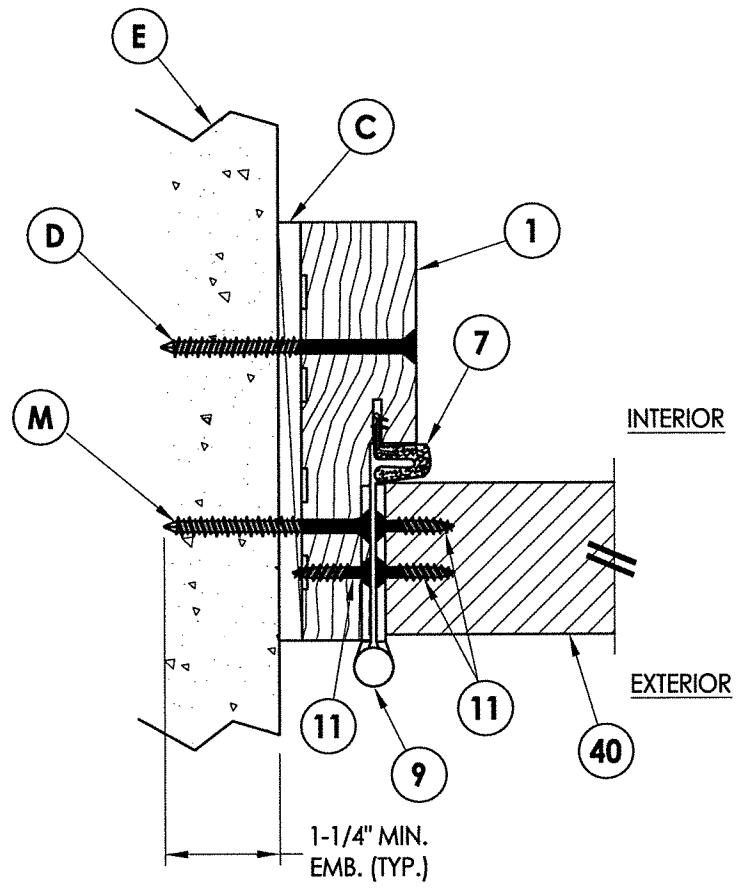
August 15, 2022
 Documents Prepared By:
 Lyndon F. Schmidt
 P.E. No. 43409
 RW BUILDING CONSULTANTS, INC.
 P.O. Box 230, Valrico, FL 33595
 Phone No.: 813.659.9197
 FBPE Registry No. 9813

PRODUCT: STEVES & SONS
 FIBERGLASS DOOR
 PART OR ASSEMBLY:
 HORIZONTAL & VERTICAL
 CROSS SECTIONS (1X BUCK)

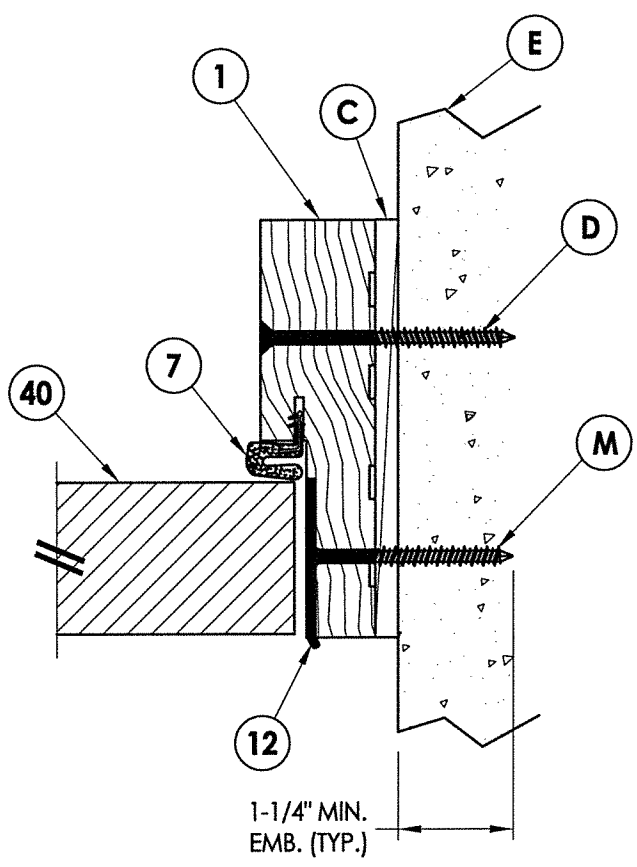
NO.	DATE	BY

REVISIONS

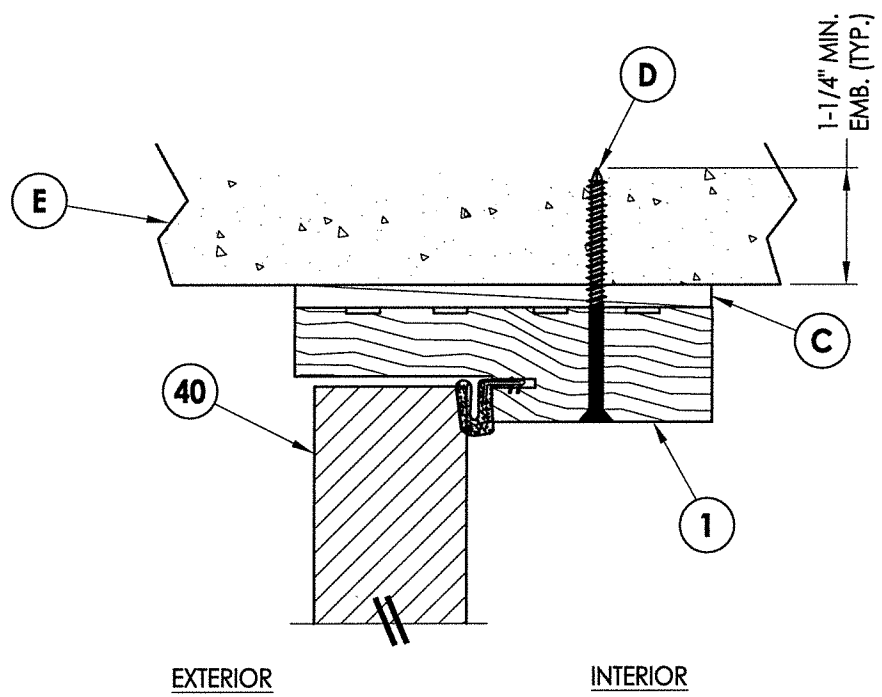
DATE: 8/10/22
 SCALE: N.T.S.
 DWG. BY: RW
 CHK. BY: LFS
 DRAWING NO.:
 FL-41477.5
 SHEET 5 OF 10



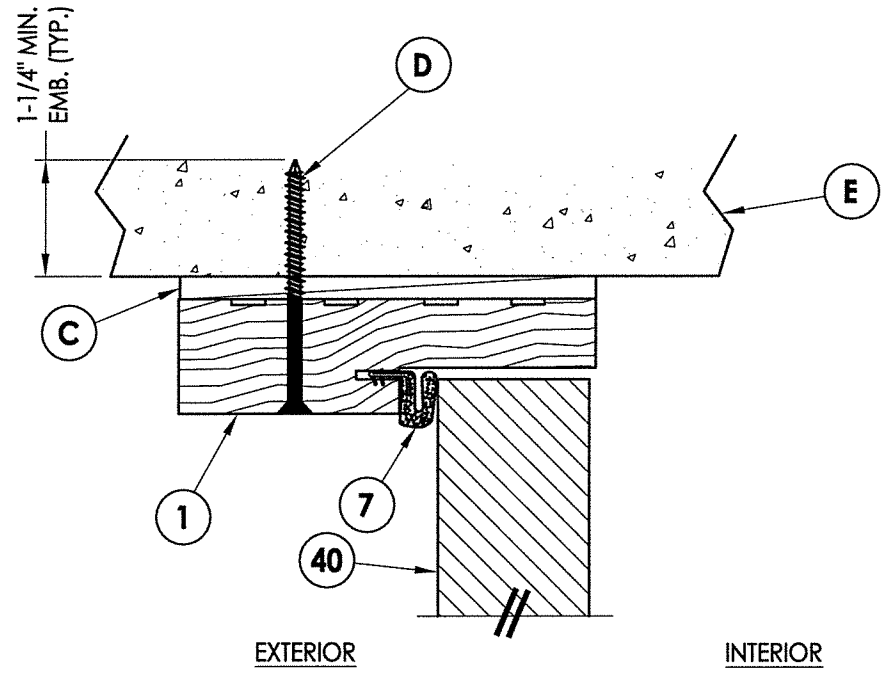
1
6 **HORIZONTAL CROSS SECTION**
Shown Direct to Masonry
Outswing shown (Inswing similar)



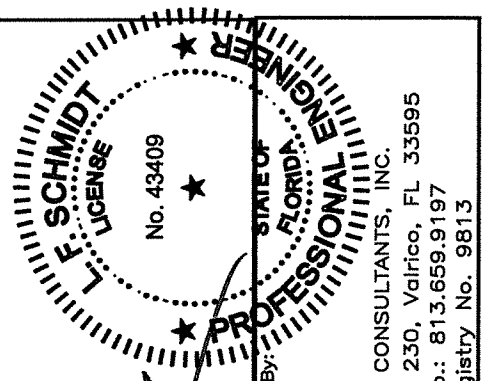
2
6 **HORIZONTAL CROSS SECTION**
Shown Direct to Masonry
Outswing shown (Inswing similar)



3
6 **VERTICAL CROSS SECTION**
Shown Direct to Masonry
Outswing shown



4
6 **VERTICAL CROSS SECTION**
Shown Direct to Masonry
Inswing shown



LFS

August 15, 2022

Documents Prepared By:
Lyndon F. Schmidt
P.E. No. 43409

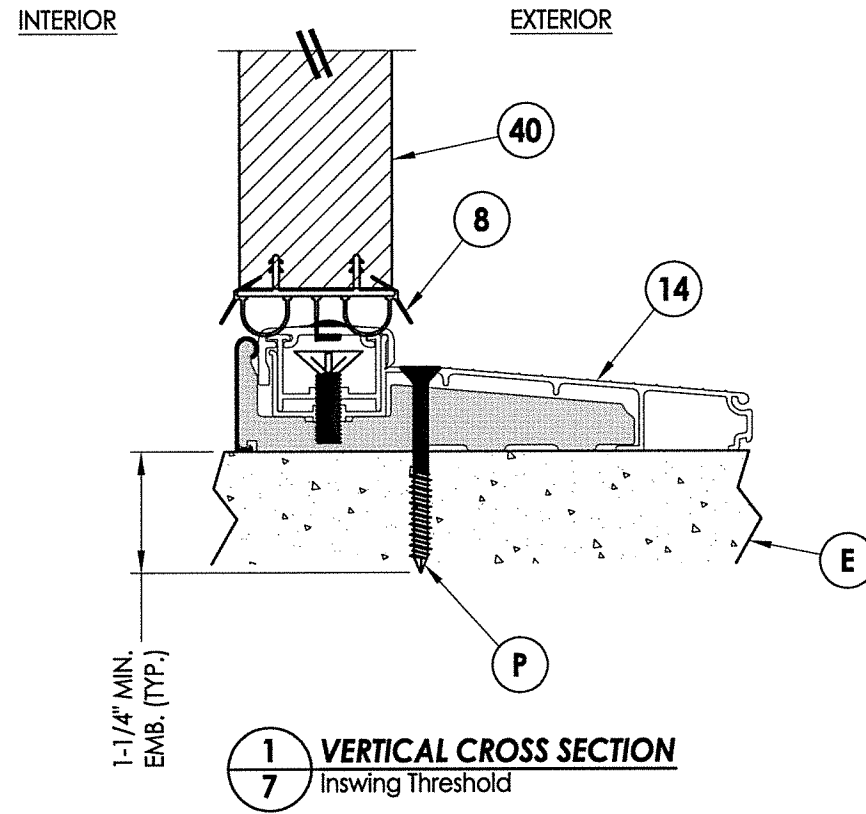
RW
BUILDING CONSULTANTS, INC.
P.O. Box 230, Valrico, FL 33595
Phone No.: 813.659.9197
FBPE Registry No. 9813

PRODUCT: STEVES & SONS
FIBERGLASS DOOR
PART OR ASSEMBLY:
HORIZONTAL & VERTICAL CROSS
SECTIONS (DIRECT TO MASONRY)

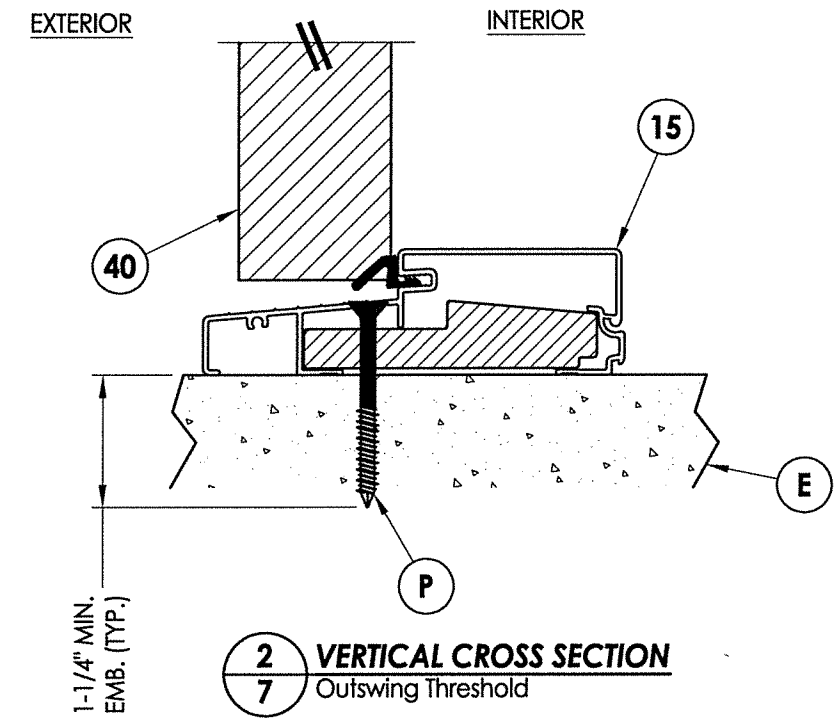
NO.	DATE	BY	REVISIONS

DATE: 8/10/22
SCALE: N.T.S.
DWG. BY: RW
CHK. BY: LFS
DRAWING NO.: FL-41477.5
SHEET 6 OF 10

Z:\Clients\Steves and Sons - Permanent\A - Florida Product Approvals\FL-41477 RELIANT SERIES\C - Drawings\FL-41477 (2020)\FL-41477.5.dwg



1
7 **VERTICAL CROSS SECTION**
Inswing Threshold



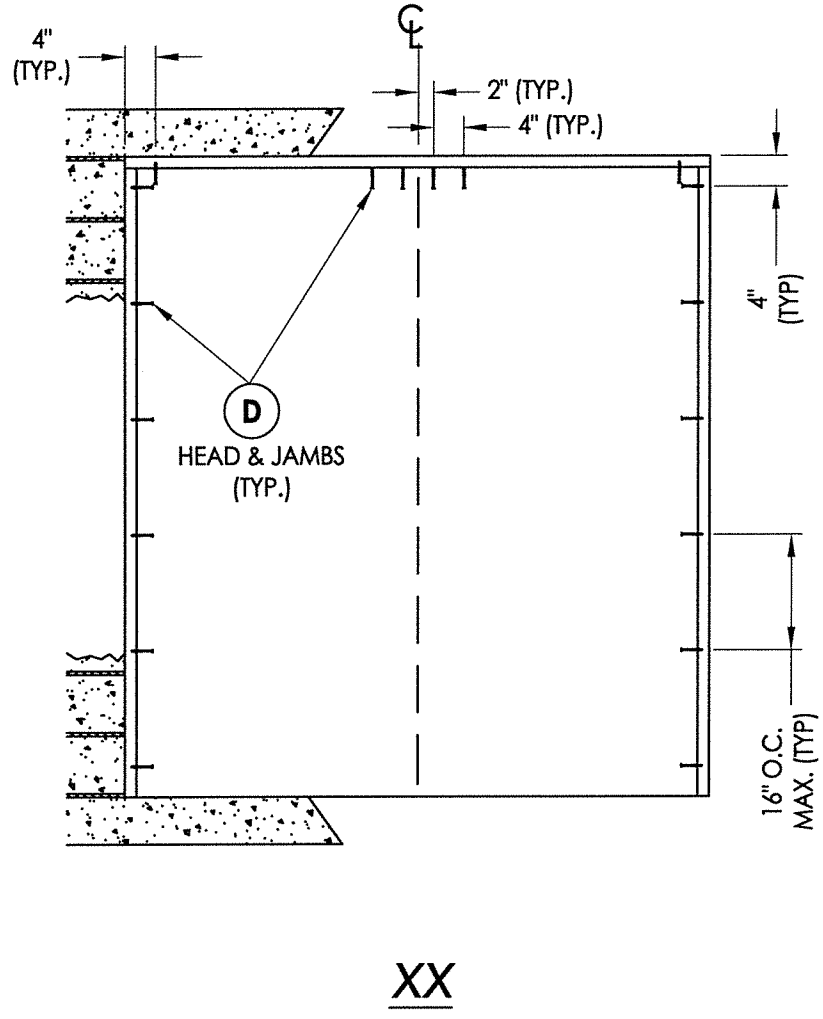
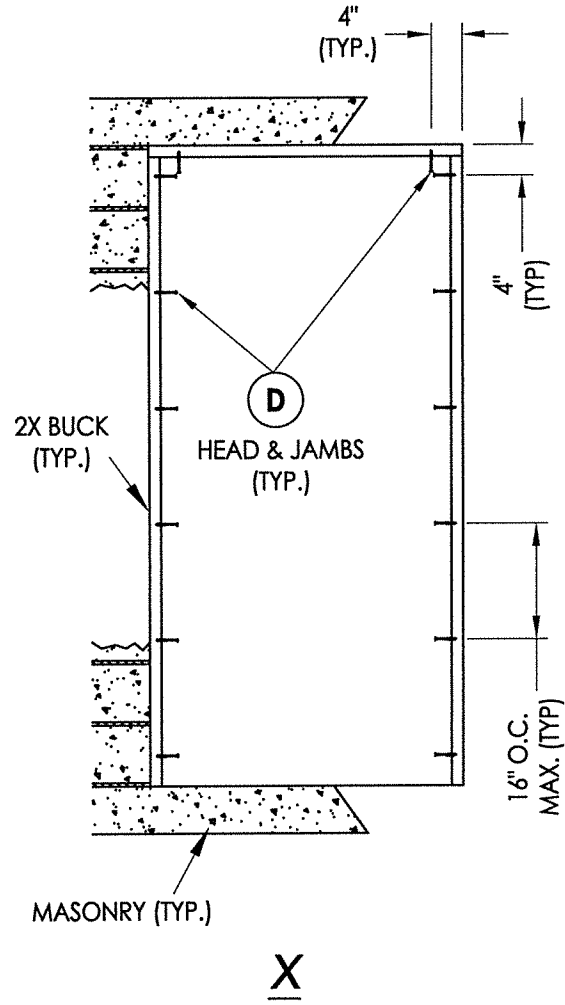
2
7 **VERTICAL CROSS SECTION**
Outswing Threshold

L. F. SCHMIDT
LICENSE
No. 43409
STATE OF FLORIDA
PROFESSIONAL ENGINEER

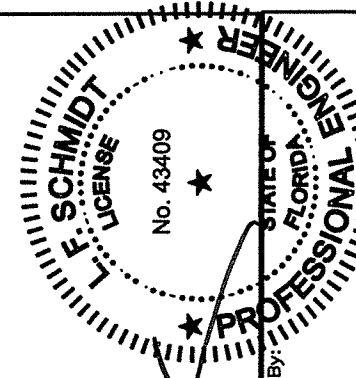
RW
August 15, 2022
Documents Prepared By:
Lyndon F. Schmidt
P.E. No. 43409

BUILDING CONSULTANTS, INC.
P.O. Box 230, Valrico, FL 33595
Phone No.: 813.659.9197
FBPE Registry No. 9813

PRODUCT:	STEVES & SONS FIBERGLASS DOOR		
PART OR ASSEMBLY:	VERTICAL CROSS SECTIONS		
NO. DATE	BY	REVISIONS	
DATE:	8/10/22		
SCALE:	N.T.S.		
DWG. BY:	RW		
CHK. BY:	LFS		
DRAWING NO.:	FL-41477.5		
SHEET	7	OF	10



2X BUCK ANCHORING



August 15, 2022

Documents Prepared By:
Lyndon F. Schmidt
P.E. No. 43409

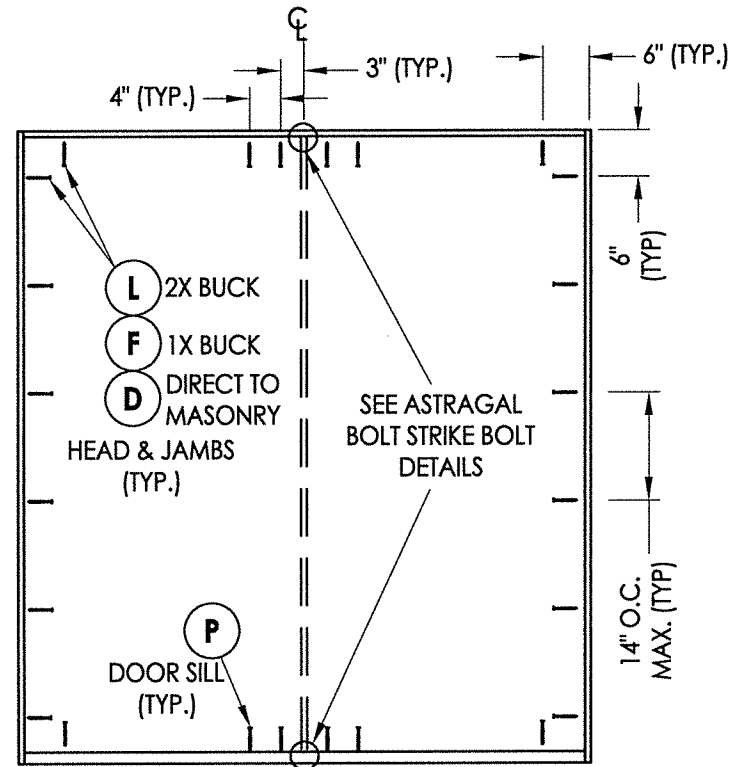
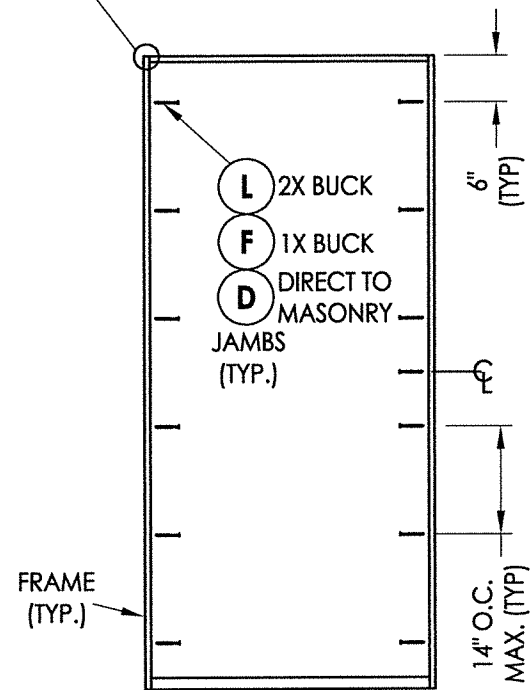
RW BUILDING CONSULTANTS, INC.
P.O. Box 230, Vairico, FL 33595
Phone No.: 813.659.9197
FBPE Registry No. 9813

PRODUCT: STEVES & SONS FIBERGLASS DOOR
PART OR ASSEMBLY: BUCK ANCHORING

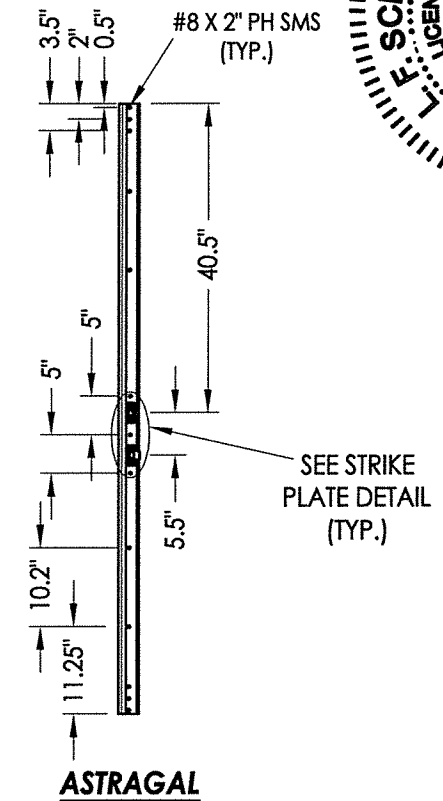
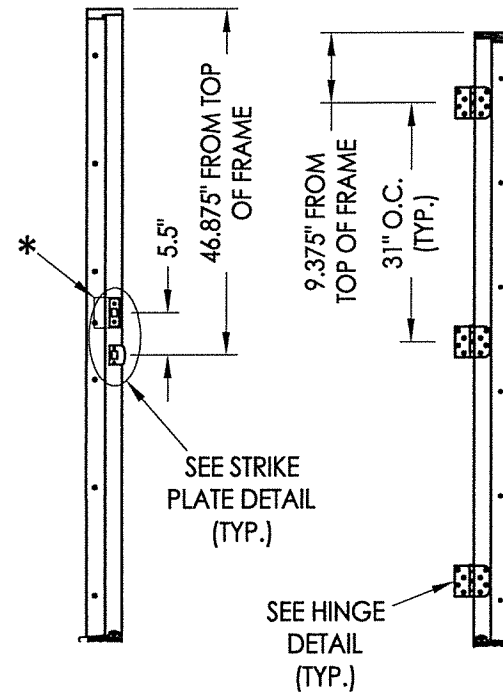
NO.	DATE	BY

DATE: 8/10/22
SCALE: N.T.S.
DWG. BY: RW
CHK. BY: LFS
DRAWING NO.: FL-41477.5
SHEET 8 OF 10

FRAME CORNERS ATTACHED w/ (3) 7/16" CROWN X 1-1/2" LONG 16 GA. STAPLES & (2) #7 X 2" DRYWALL SCREWS @ HEAD & SILL (TYP.)

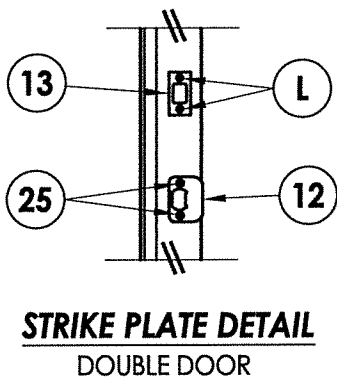
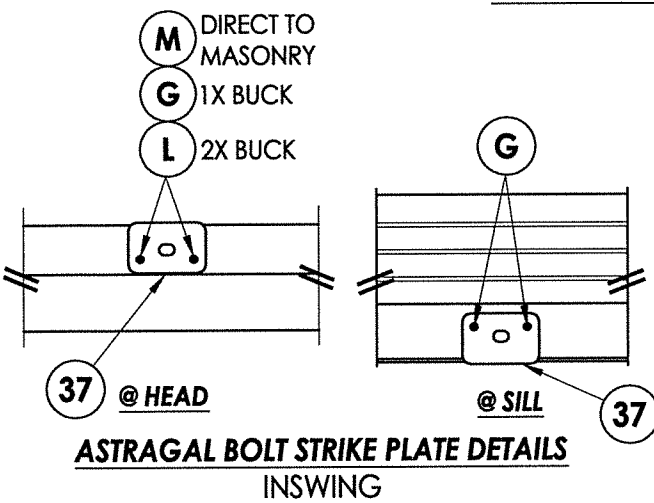


ASTRAGAL SCREWS LOCATED AS SHOWN w/ (3) LOCATED ON EACH SIDE OF LOCK & DEADBOLT STRIKE PLATES (13 SCREWS TOTAL)

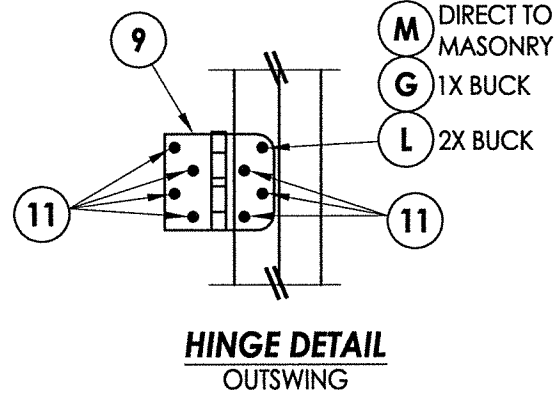
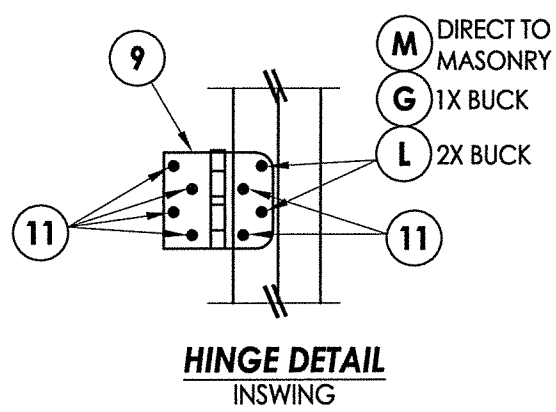
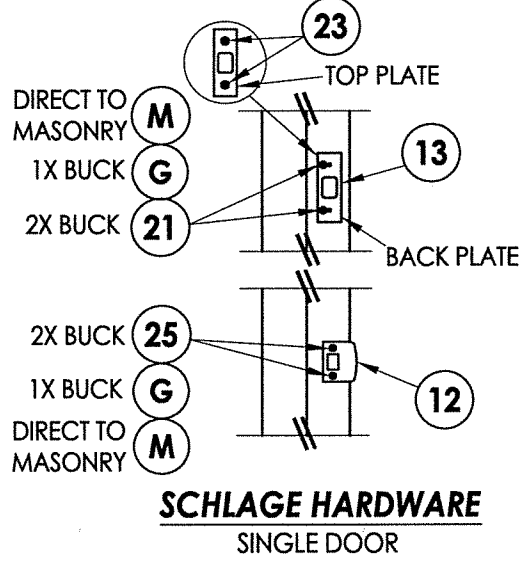
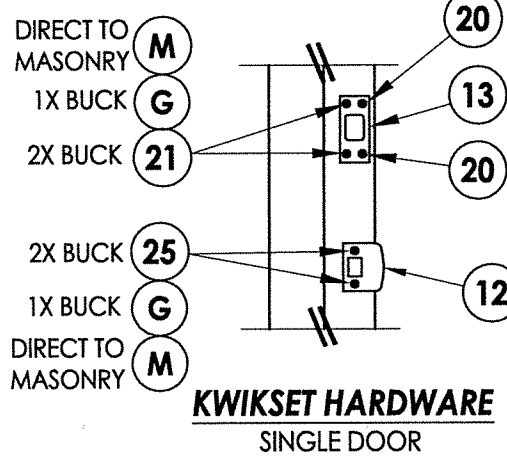


X
FRAME ANCHORING

XX

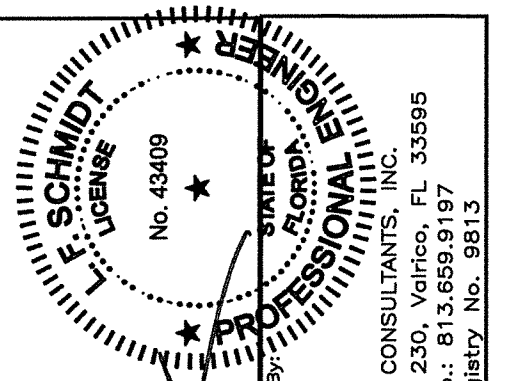


* 3.5" X 4" 20 GA. STEEL PLATE ATTACHED TO BACK OF LOCK JAMB w/ (4) 1" CROWN X 5/8" LONG 16 GA. STAPLES



ASTRAGAL BOLT STRIKE PLATE DETAILS
OUTSWING

HARDWARE DETAILS



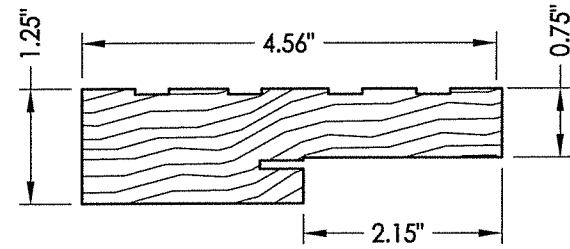
August 15, 2022
 Documents Prepared By:
 Lyndon F. Schmidt
 P.E. No. 43409
 RW BUILDING CONSULTANTS, INC.
 P.O. Box 230, Vairico, FL 33595
 Phone No.: 813.659.9197
 FBPE Registry No. 9813

PRODUCT:	STEVES & SONS FIBERGLASS DOOR
PART OR ASSEMBLY:	FRAME ANCHORING & HARDWARE DETAILS

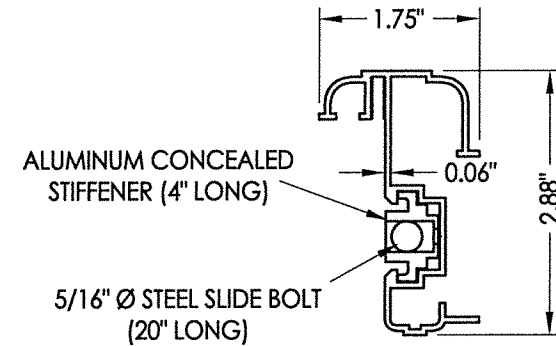
NO.	DATE	BY	REVISIONS

DATE:	8/10/22
SCALE:	N.T.S.
DWG. BY:	RW
CHK. BY:	LFS
DRAWING NO.:	FL-41477.5
SHEET	9 OF 10

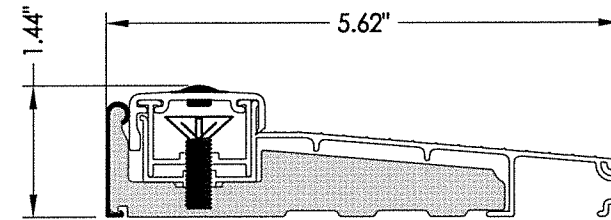
BILL OF MATERIALS		
ITEM #	DESCRIPTION	MATERIAL
A	1X BUCK (G >= 0.42)	WOOD
B	2X BUCK (G >= 0.42)	WOOD
C	1/4" MAX. SHIM SPACE	-
D	1/4" X 2-3/4" PFH DeWALT OR ITW CONCRETE SCREW	STEEL
E	MASONRY - 3,000 PSI MIN. CONCRETE CONFORMING TO ACI 301 OR HOLLOW BLOCK CONFORMING TO ASTM C90	CONCRETE
F	1/4" X 3-3/4" PFH DeWALT OR ITW CONCRETE SCREW	STEEL
G	3/16" X 3-1/4" PFH ITW CONCRETE SCREW	STEEL
L	#10 X 2-1/2" PFH WOOD SCREW (1.15" MIN. EMB.)	STEEL
M	3/16" X 2-1/4" PFH ITW CONCRETE SCREW	STEEL
P	1/4" X 2-1/4" PFH DeWALT OR ITW CONCRETE SCREW	STEEL
1	WOOD JAMB	WOOD
7	WEATHERSTRIP	FOAM
8	SWEEP	VINYL
9	4" X 4" HINGE	STEEL
11	#9 X 3/4" PFH WOOD SCREW	STEEL
12	LATCH STRIKE PLATE	STEEL
13	DEADBOLT STRIKE PLATE	STEEL
14	INSWING THRESHOLD	ALUM/COMP
15	OUTSWING THRESHOLD	ALUM/COMP
20	#9 X 1/2" PFH WOOD SCREW	STEEL
21	#12 X 2-1/2" PFH WOOD SCREW	STEEL
23	#8 X 3/4" PFH WOOD SCREW	STEEL
25	#8 X 2-1/2" PFH WOOD SCREW	STEEL
26	#8 X 2" PH SMS	STEEL
37	ASTRAGAL STRIKE PLATE	STEEL
38	ALUMINUM ASTRAGAL	ALUM
40	DOOR PANEL	-



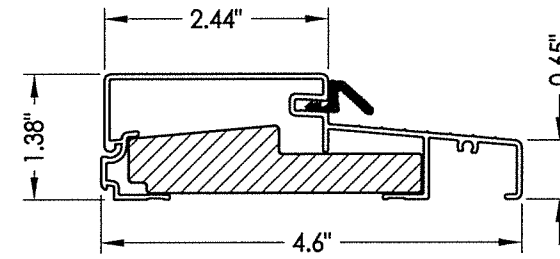
1 WOOD JAMB
FINGER JOINT PINE



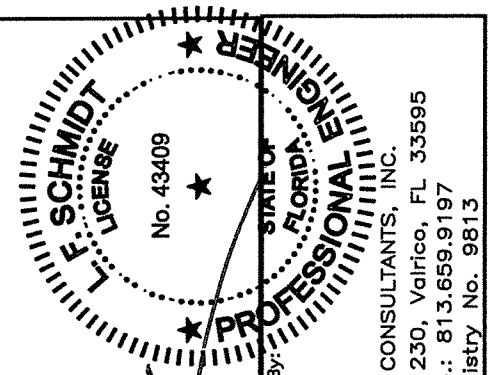
38 ALUMINUM ASTRAGAL
DLP



14 INSWING THRESHOLD
Columbia



15 OUTSWING THRESHOLD
Columbia



August 15, 2022
 Documents Prepared By:
 Lyndon F. Schmidt
 P.E. No. 43409
 RW BUILDING CONSULTANTS, INC.
 P.O. Box 230, Valrico, FL 33595
 Phone No.: 813.659.9197
 FBPE Registry No. 9813

PRODUCT: STEVES & SONS
FIBERGLASS DOOR
 PART OR ASSEMBLY:
 BILL OF MATERIALS
& COMPONENTS

NO.	DATE	BY

DATE: 8/10/22
 SCALE: N.T.S.
 DWG. BY: RW
 CHK. BY: LFS
 DRAWING NO.: FL-41477.5
 SHEET 10 OF 10

CONCRETE ANCHOR NOTES:

- Concrete anchor locations at the corners may be adjusted to maintain the min. edge distance to mortar joints.
- Concrete anchor locations noted as "MAX. ON CENTER" must be adjusted to maintain the min. edge distance to mortar joints, additional concrete anchors may be required to ensure the "MAX. ON CENTER" dimension are not exceeded.
- Concrete anchor table:

ANCHOR TYPE	ANCHOR SIZE	MIN. EMBEDMENT	MIN. CLEARANCE TO MASONRY EDGE	MIN. CLEARANCE TO ADJACENT ANCHOR
ITW BUILDEX TAPCON®	3/16"	1-1/4"	3"	1-1/2"
	1/4"	1-1/4"	2"	4"
DeWALT ULTRACON®	1/4"	1-1/4"	1"	4"

WOOD SCREW INSTALLATION NOTES:

- Maintain a minimum 5/8" edge distance, 1" end distance, & 1" o.c. spacing of wood screws to prevent the splitting of wood.