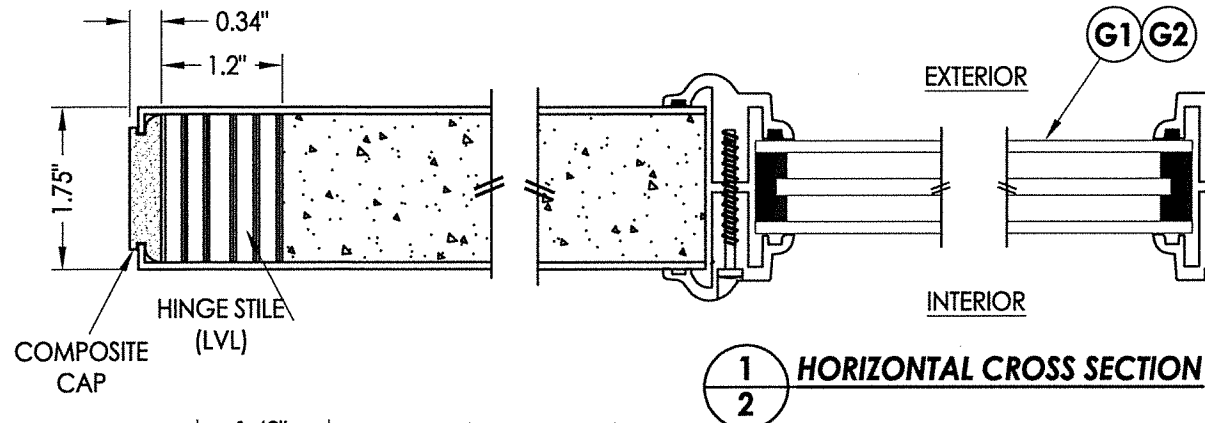
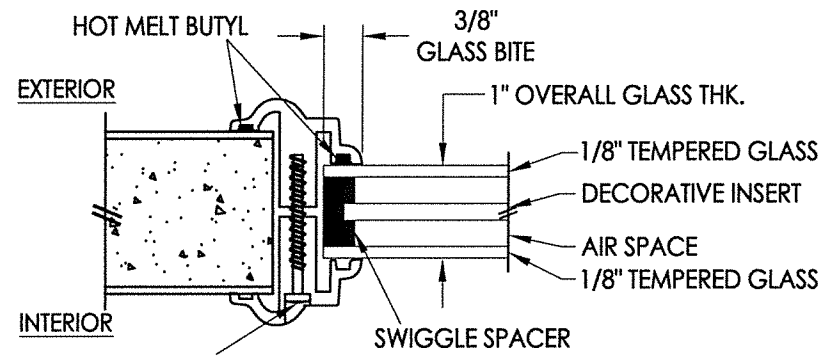




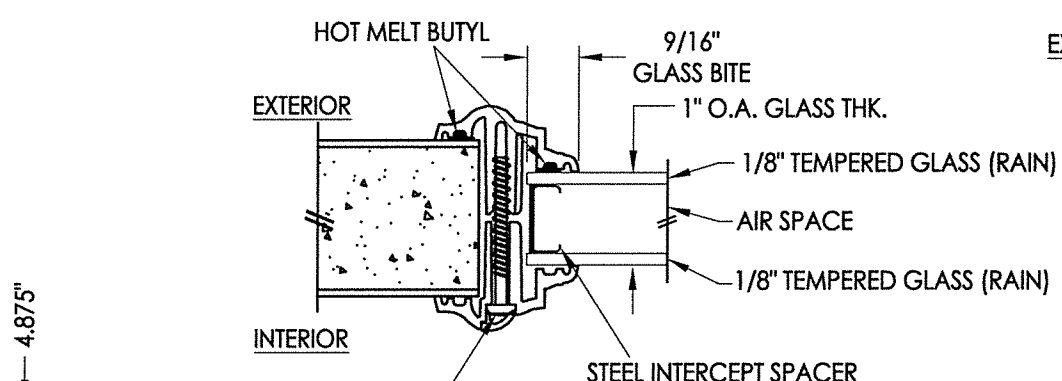
Z:\Clients\Steves and Sons - Permanent\A - Florida Product Approvals\FL-41477 RELIANT SERIES\C - Drawings\FL-41477 (2020)\FL-41477.1.dwg



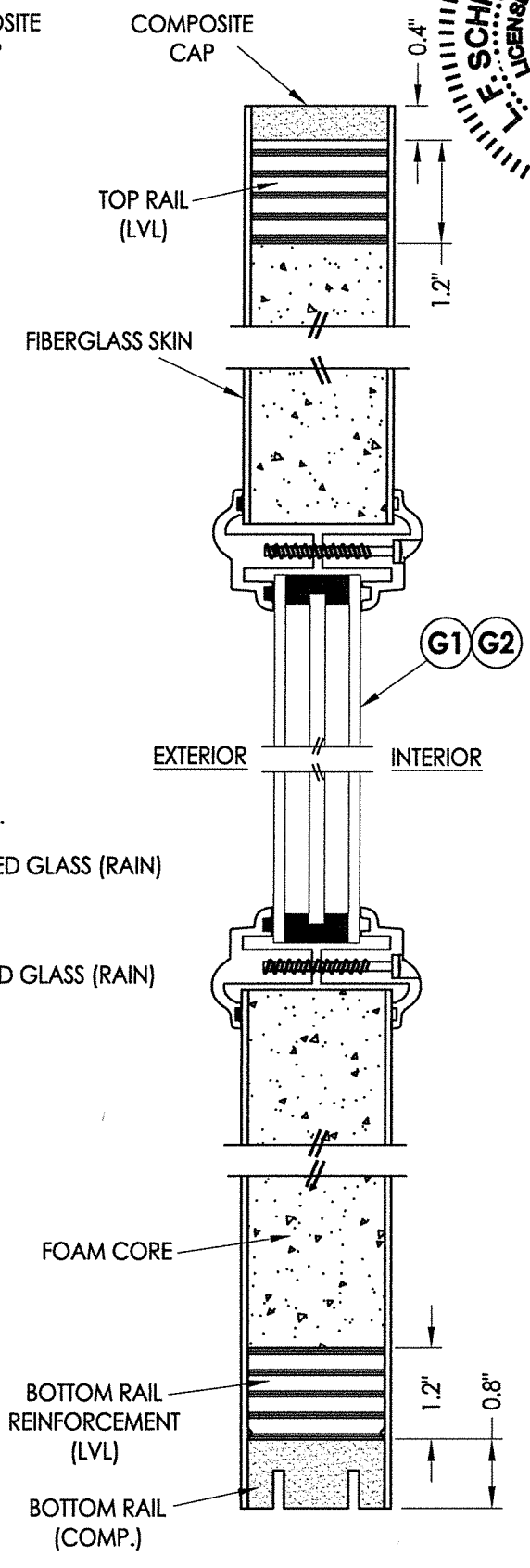
**1 HORIZONTAL CROSS SECTION**



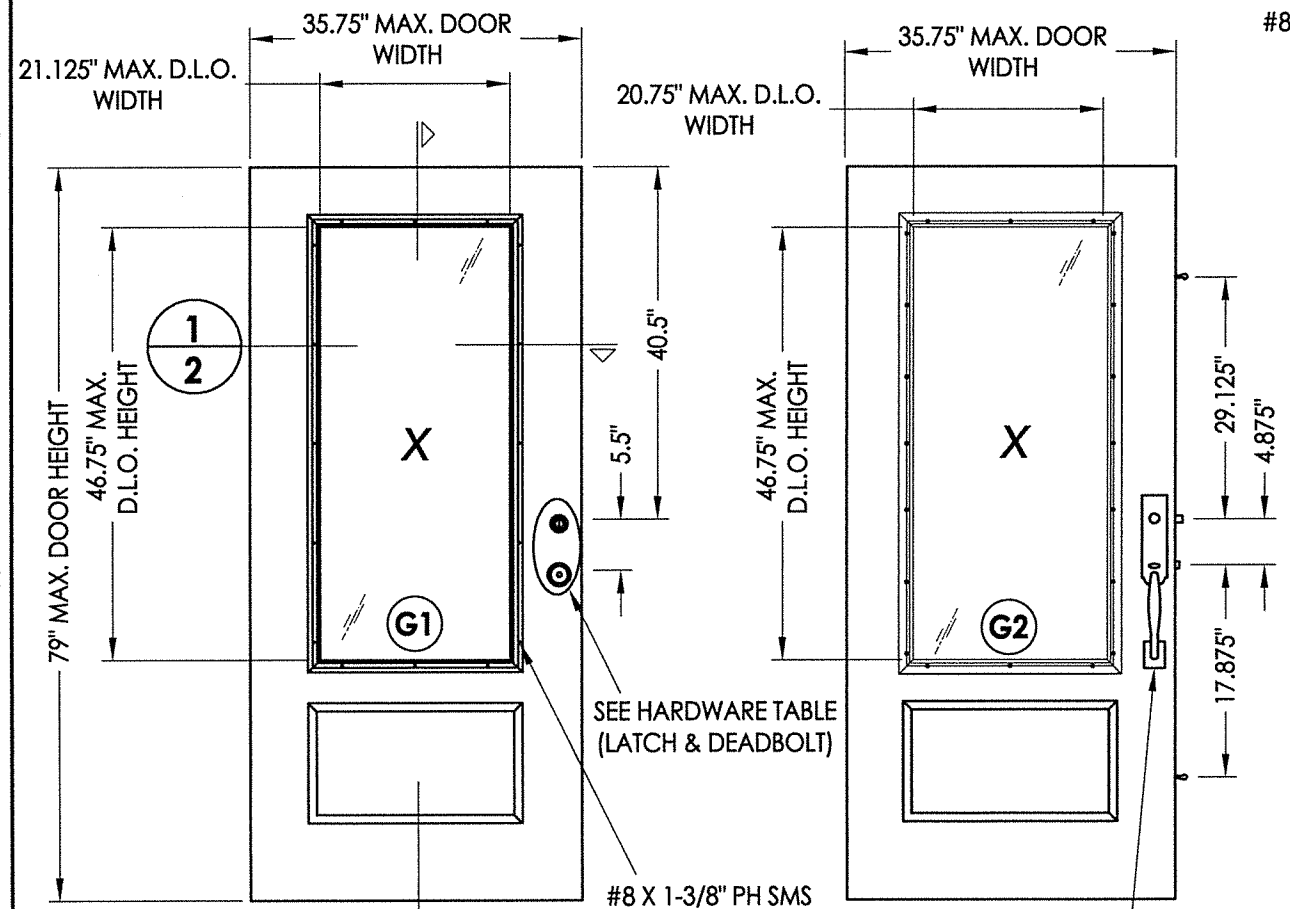
**G1 GLAZING DETAIL**  
TKI PRODUCTS LITE FRAME



**G2 GLAZING DETAIL**  
ODL LITE FRAME (EVOLVE)



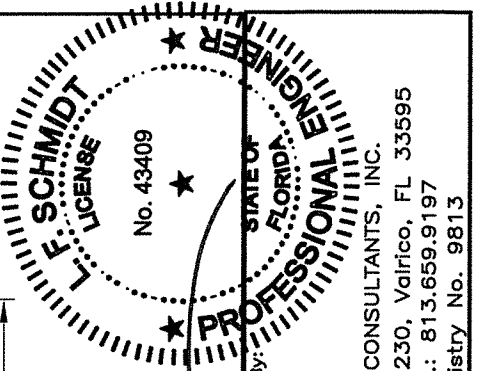
**2 VERTICAL CROSS SECTION**



**40 FIBERGLASS DOOR PANEL**  
TKI PRODUCTS LITE FRAME

**40 FIBERGLASS DOOR PANEL**  
ODL LITE FRAME (EVOLVE)

HARDWARE TABLE		
MANUFACTURER	MODEL	
KWIKSET	LATCH:	SIGNATURE SERIES
	DEADBOLT:	SIGNATURE SERIES (980)
SCHLAGE	LATCH:	F51
	DEADBOLT:	B60N
ROCKWELL	LATCH:	PREMIUM HANDLESET
	DEADBOLT:	PREMIUM DEADBOLT
ROCKWELL	PREMIUM MULTIPOINT HANDLESET w/ DEADLOCKING TONGUE MULTIPOINT LOCK	



June 6, 2022

Documents Prepared By:  
Lyndon F. Schmidt  
P.E. No. 43409

**RW** BUILDING CONSULTANTS, INC.  
P.O. Box 230, Vairico, FL 33595  
Phone No.: 813.659.9197  
FBPE Registry No. 9813

PRODUCT: STEVES & SONS FIBERGLASS DOOR  
PART OR ASSEMBLY: DOOR PANEL DETAILS

NO.	DATE	BY	REVISIONS

DATE: 4/26/22  
SCALE: N.T.S.  
DWG. BY: RW  
CHK. BY: LFS  
DRAWING NO.: FL-41477.1  
SHEET 2 OF 13

FIBERGLASS DOOR SKIN: MIN. 0.07" THK.  
CORE MATERIAL: POLYURETHANE FOAM

© 2022 R.W. BUILDING CONSULTANTS INC.



























