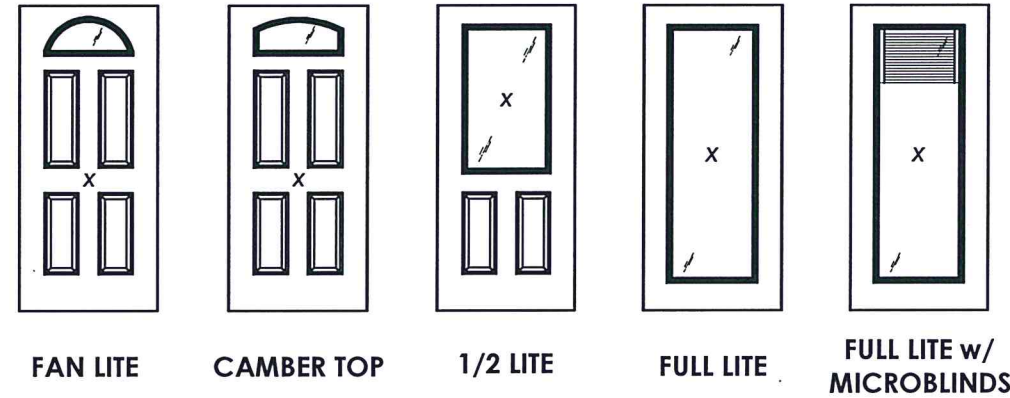


STEVE'S AND SONS

203 Humble Ave.
San Antonio, TX 78225

GLAZED FIBERGLASS DOOR SINGLE w/ or w/out SIDELITE(S) IN SWING/OUT SWING "NON-IMPACT"

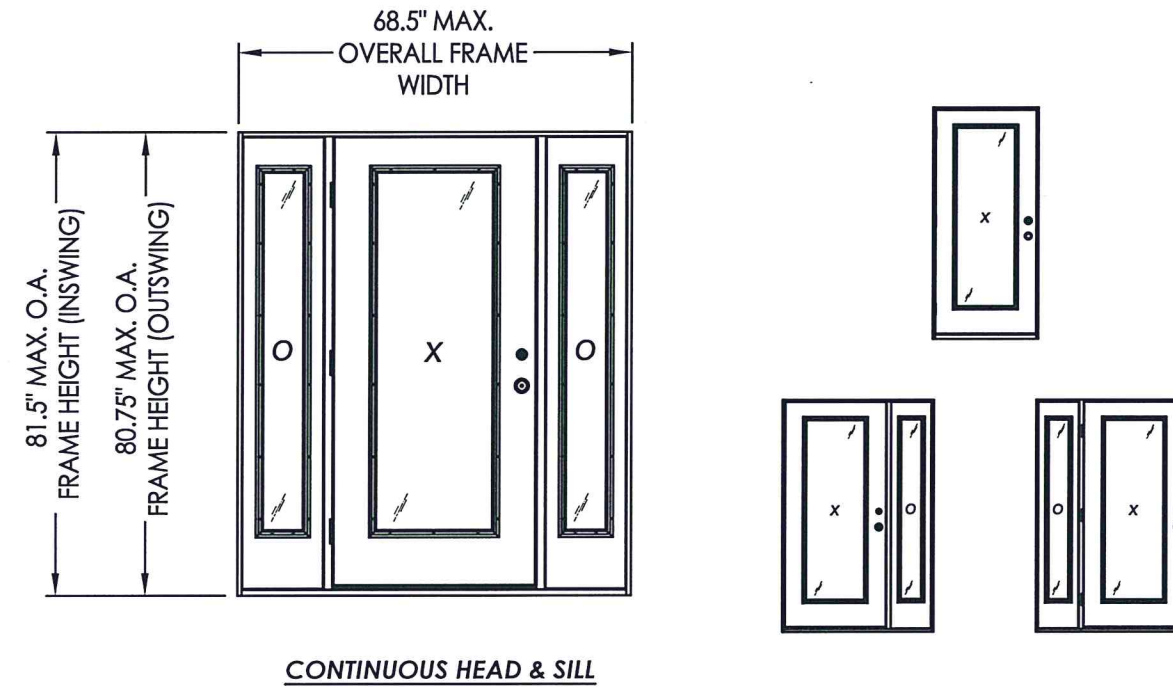


RELIANT CLEAR GLASS COLLECTION

June 6, 2022
 Documents Prepared By: Lyndon F. Schmidt
 P.E. No. 43409
 R.W. BUILDING CONSULTANTS, INC.
 P.O. Box 230, Valrico, FL 33595
 Phone No.: 813.659.9197
 FBPE Registry No. 9813

GENERAL NOTES

1. This product has been evaluated and is in compliance with the 7th Edition (2020) Florida Building Code (FBC) structural requirements excluding the "High Velocity Hurricane Zone" (HVHZ).
2. Product anchors shall be as listed and spaced as shown on details. Anchor embedment to base material shall be beyond wall dressing or stucco.
3. When used in areas requiring wind borne debris protection this product is required to be protected with an impact resistant covering that complies with FBC Sections 1609.1.2 & R301.2.1.2 of the FBC.
4. For 2x stud framing construction, anchoring of these units shall be the same as that shown for 2x buck masonry construction.
5. Site conditions that deviate from the details of this drawing require further engineering analysis by a licensed engineer or registered architect.



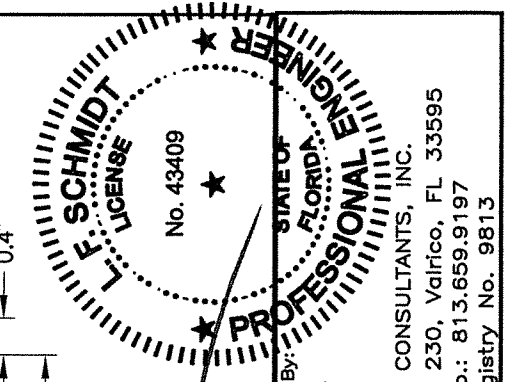
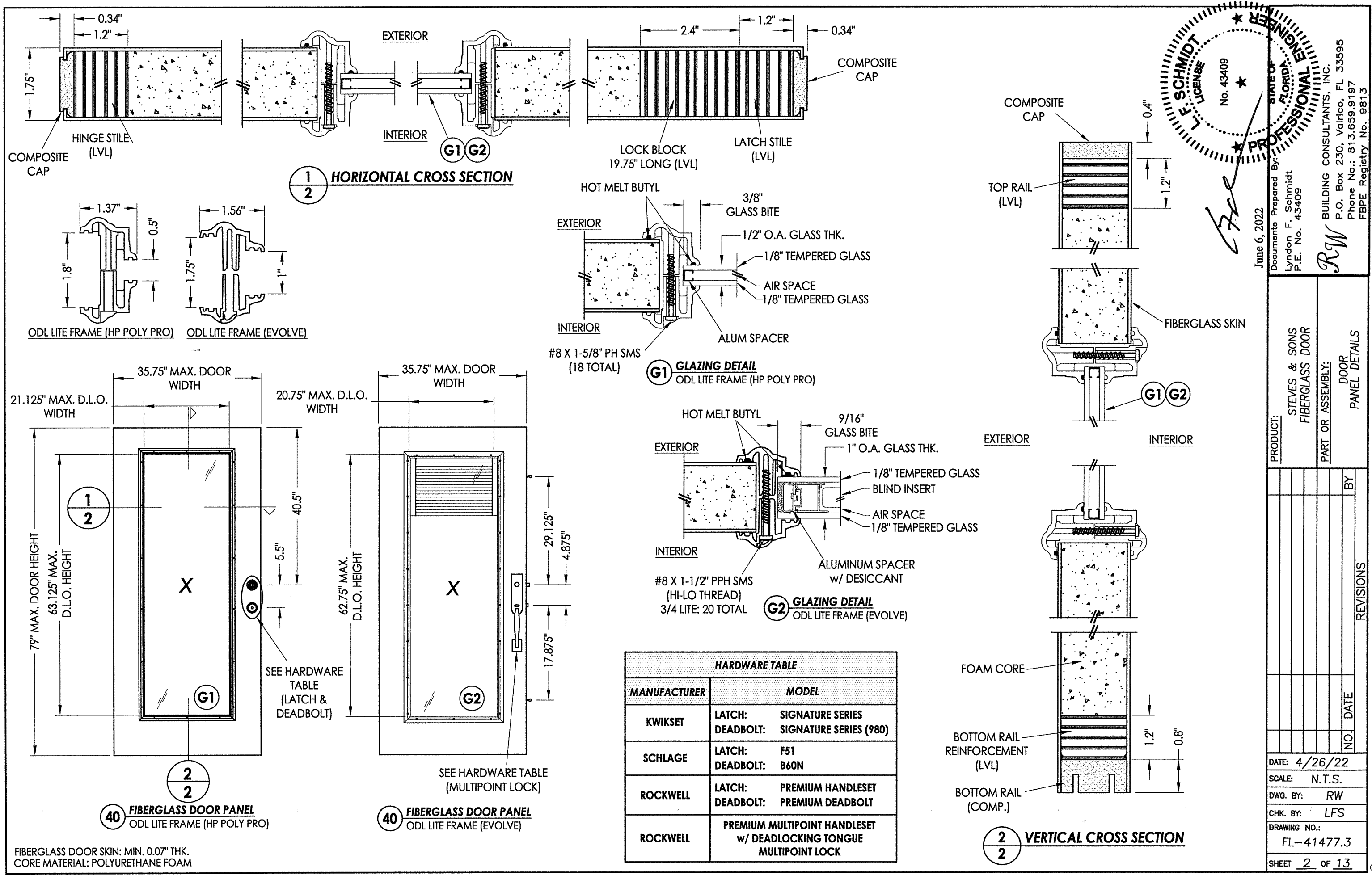
CONTINUOUS HEAD & SILL

TABLE OF CONTENTS			
SHEET #	DESCRIPTION	SHEET #	
1	Typical Elevations, Design Pressures & General Notes	8	Horizontal & Vertical Cross Sections (1X Buck)
2	Door Panel Details	9	Horizontal & Vertical Cross Sections (Direct to Masonry)
3	Sidelite Panel Details	10	Vertical Cross Sections
4	Panel Options	11	Buck Anchoring
5	Elevations	12	Frame Anchoring & Hardware Details
6	Horizontal Cross Sections	13	Bill of Materials & Components
7	Horizontal & Vertical Cross Sections (2X Buck)		

CONFIGURATION	MAX. FRAME DIMENSION	DESIGN PRESSURE (PSF) IN SWING		DESIGN PRESSURE (PSF) OUT SWING	
		POSITIVE	NEGATIVE	POSITIVE	NEGATIVE
X	37.5" x 81.5"	+40.0	-40.0	+40.0	-40.0
XO, OX, OXO	68.5" x 81.5"	+40.0	-40.0	+40.0	-40.0

PRODUCT: STEVE'S & SONS FIBERGLASS DOOR
 PART OR ASSEMBLY: TYPICAL ELEVATION, DESIGN PRESSURES & GENERAL NOTES
 DATE: 4/26/22
 SCALE: N.T.S.
 DWG. BY: RW
 CHK. BY: LFS
 DRAWING NO.: FL-41477.3
 SHEET 1 OF 13

Z:\Clients\Steves and Sons - Permanent\A - Florida Product Approvals\FL-41477 RELIANT SERIES\C - Drawings\FL-41477 (2020)\FL-41477.3.dwg



June 6, 2022
 Documents Prepared By:
 Lyndon F. Schmidt
 P.E. No. 43409

R.W. BUILDING CONSULTANTS, INC.
 P.O. Box 230, Vairico, FL 33595
 Phone No.: 813.659.9197
 FBPE Registry No. 9813

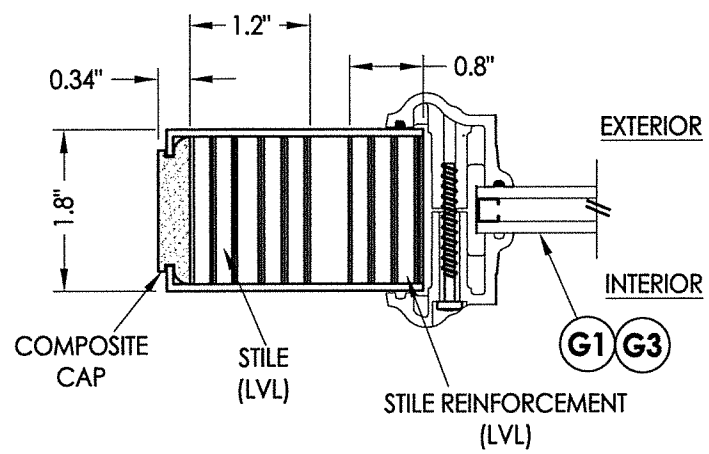
PRODUCT: STEVES & SONS FIBERGLASS DOOR
 PART OR ASSEMBLY: DOOR PANEL DETAILS

NO.	DATE	BY	REVISIONS

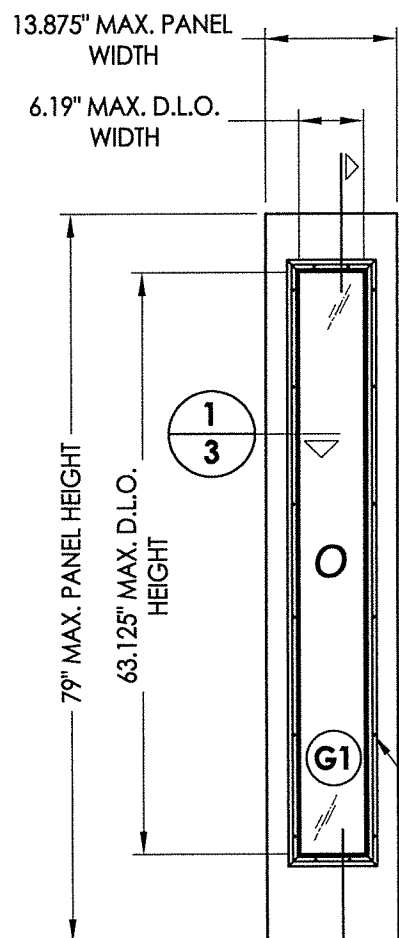
DATE: 4/26/22
 SCALE: N.T.S.
 DWG. BY: RW
 CHK. BY: LFS
 DRAWING NO.: FL-41477.3
 SHEET 2 OF 13

© 2022 R.W. BUILDING CONSULTANTS INC.

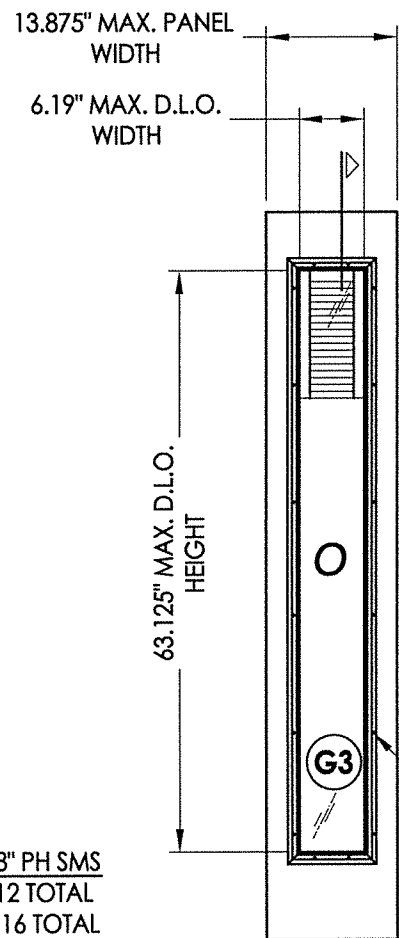
Z:\Clients\Steves and Sons - Permanent\A - Florida Product Approvals\FL-414777 RELIANT SERIES\C - Drawings\FL-414777 (2020)\FL-414777.3.dwg



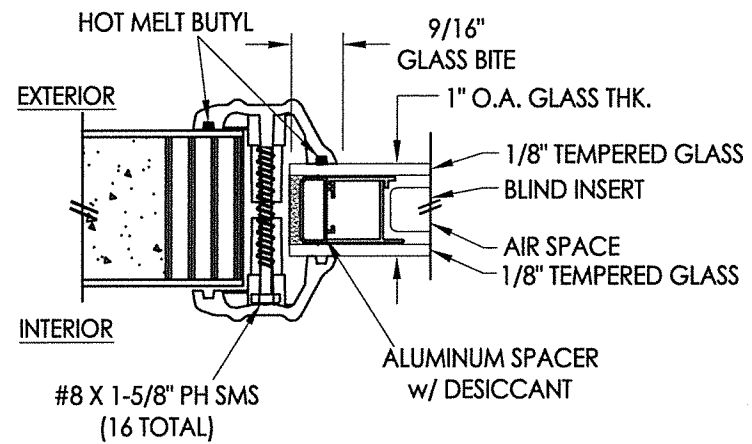
1
3 HORIZONTAL CROSS SECTION



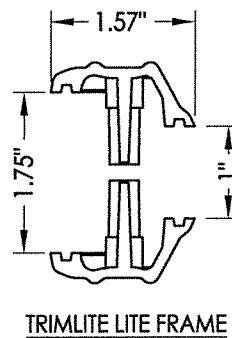
50 FIBERGLASS SIDELITE PANEL
ODL LITE FRAME (HP POLY PRO)



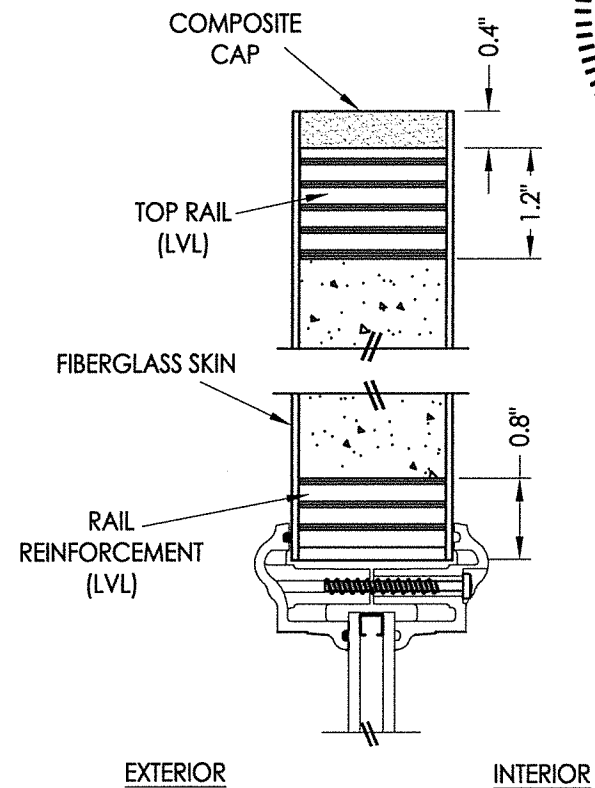
50 FIBERGLASS SIDELITE PANEL
TRIMLITE LITE FRAME



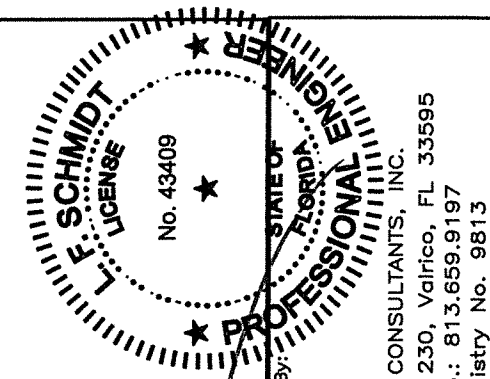
G3 GLAZING DETAIL
TRIMLITE LITE FRAME



TRIMLITE LITE FRAME



2
3 VERTICAL CROSS SECTION

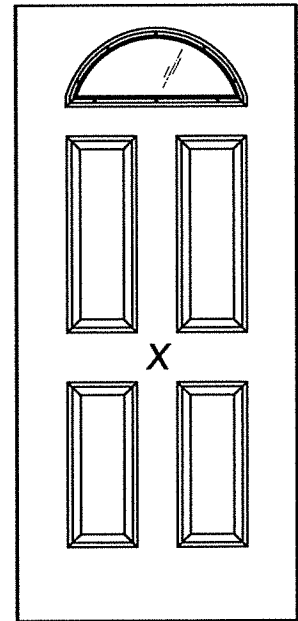


June 6, 2022
Documents Prepared By:
Lyndon F. Schmidt
P.E. No. 43409

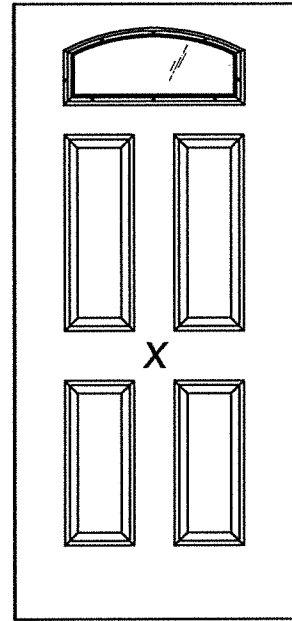
RW
BUILDING CONSULTANTS, INC.
P.O. Box 230, Valrico, FL 33595
Phone No.: 813.659.9197
FBPE Registry No. 9813

PRODUCT:	STEVES & SONS FIBERGLASS DOOR	
PART OR ASSEMBLY:	SIDELITE PANEL DETAILS	
REVISIONS	NO.	DATE
BY		
DATE: 4/26/22		
SCALE: N.T.S.		
DWG. BY:	RW	
CHK. BY:	LFS	
DRAWING NO.:	FL-41477.3	
SHEET	3 OF 13	

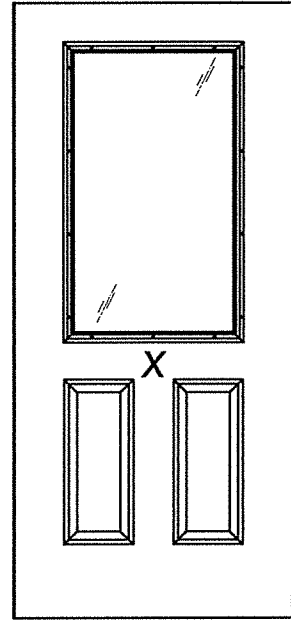
Z:\Clients\Steves and Sons - Permanent\A - Florida Product Approvals\FL-41477 RELIANT SERIES\C - Drawings\FL-41477 (2020)\FL-41477.3.dwg



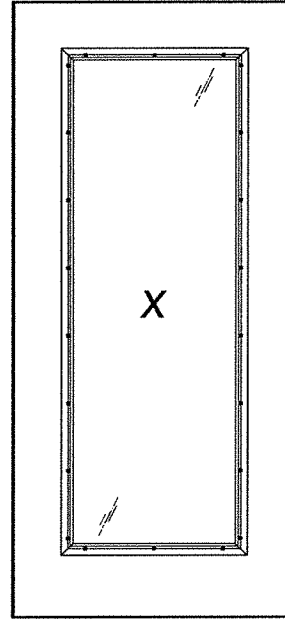
FAN LITE



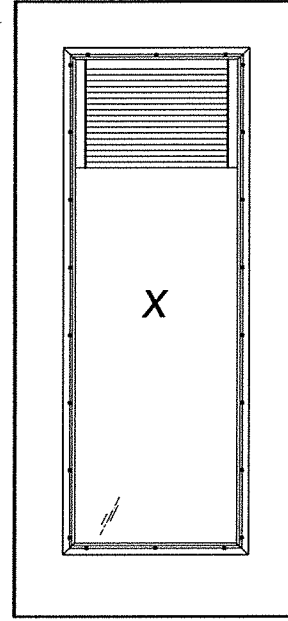
CAMBER TOP



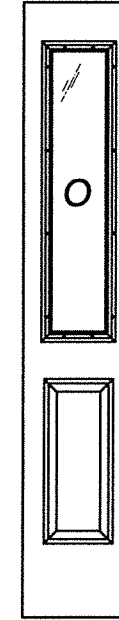
1/2 LITE



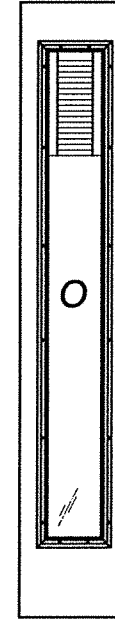
FULL LITE



FULL LITE
w/
MICROBLINDS



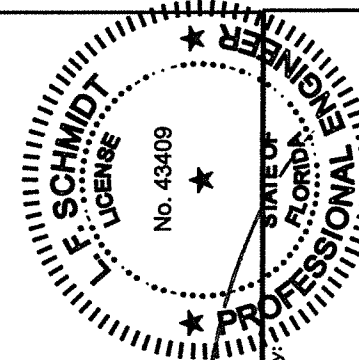
1/2 LITE



FULL LITE

RELIANT CLEAR GLASS COLLECTION

RELIANT SIDELITE



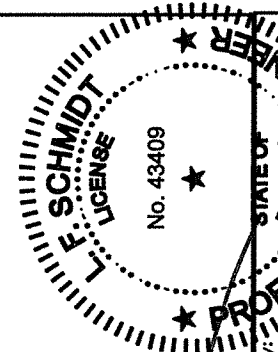
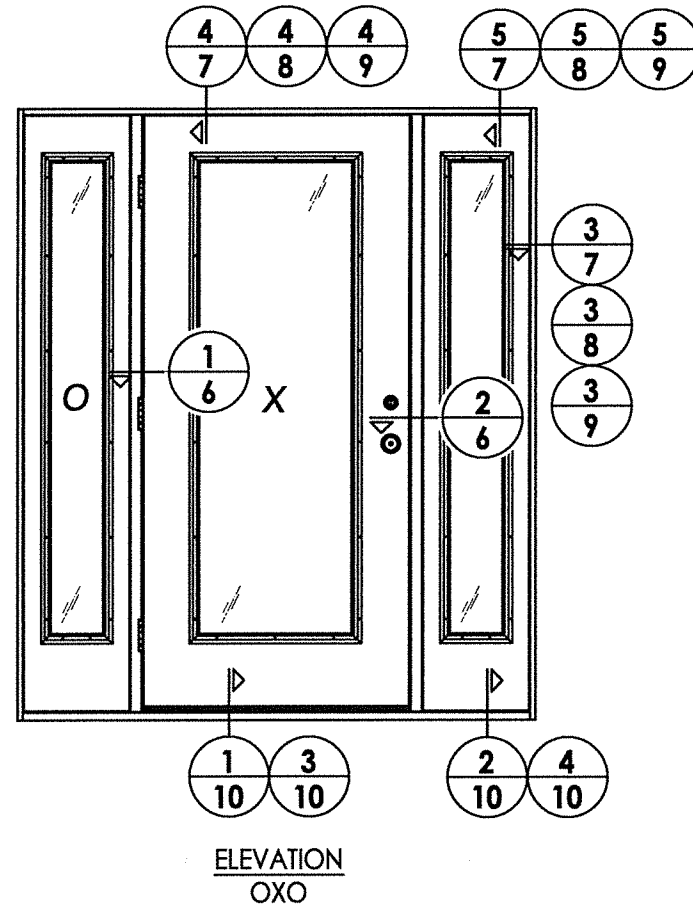
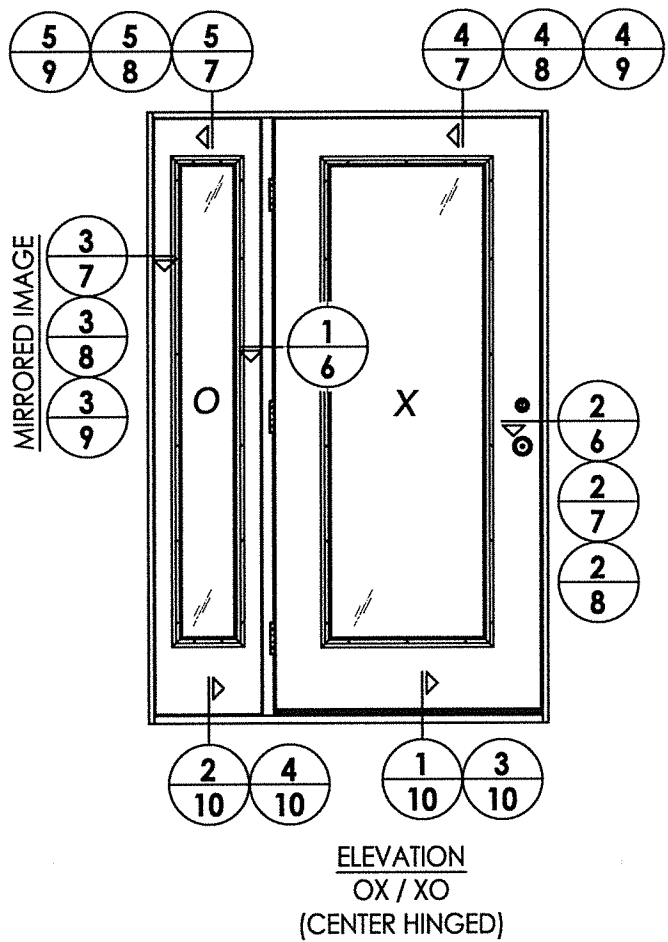
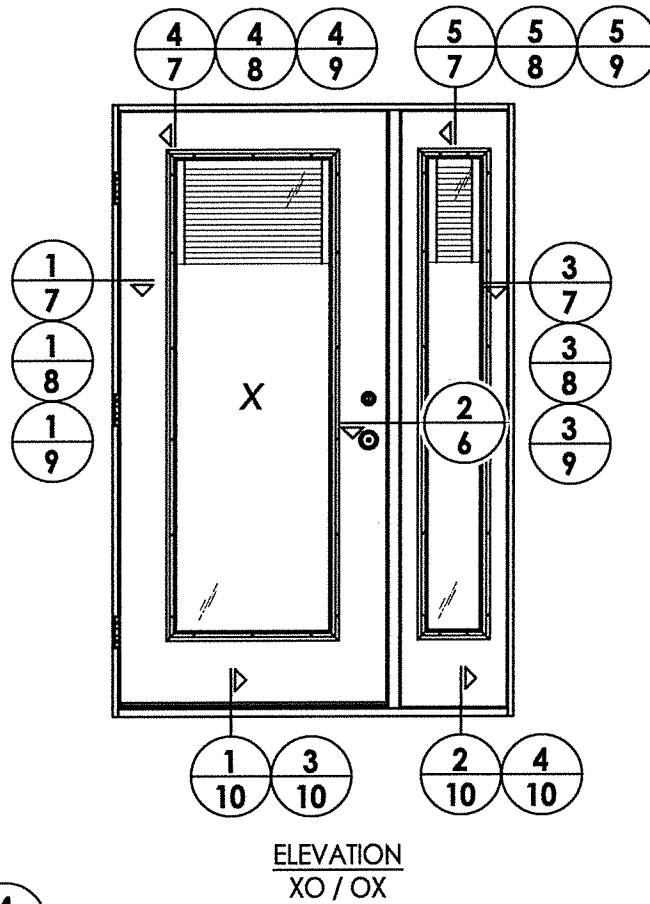
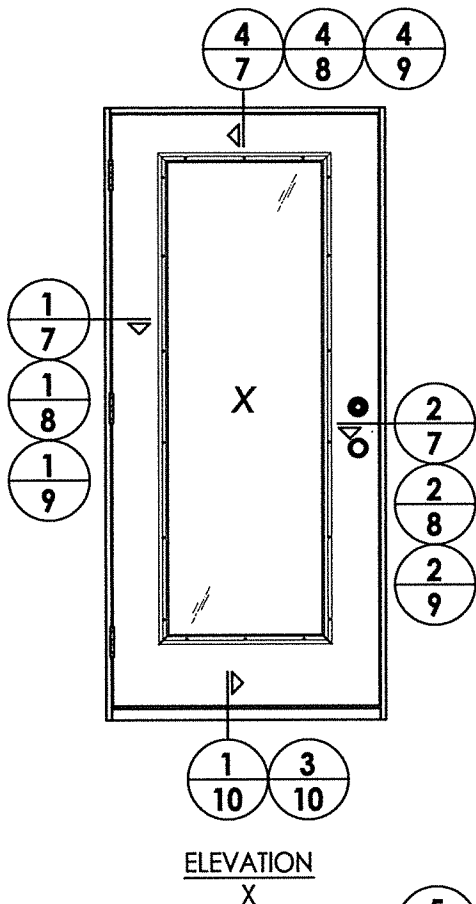
June 6, 2022
Documents Prepared By:
Lyndon F. Schmidt
P.E. No. 43409

RW
BUILDING CONSULTANTS, INC.
P.O. Box 230, Valrico, FL 33595
Phone No.: 813.659.9197
FBPE Registry No. 9813

PRODUCT:	STEVES & SONS FIBERGLASS DOOR
PART OR ASSEMBLY:	DOOR PANLE OPTIONS

NO.	DATE	BY	REVISIONS

DATE: 4/26/22
 SCALE: N.T.S.
 DWG. BY: RW
 CHK. BY: LFS
 DRAWING NO.:
 FL-41477.3
 SHEET 4 OF 13



June 6, 2022
LFS

Documents Prepared By:
 Lyndon F. Schmidt
 P.E. No. 43409

RW BUILDING CONSULTANTS, INC.
 P.O. Box 230, Valrico, FL 33595
 Phone No.: 813.659.9197
 FBPE Registry No. 9813

PRODUCT: STEVES & SONS
 FIBERGLASS DOOR

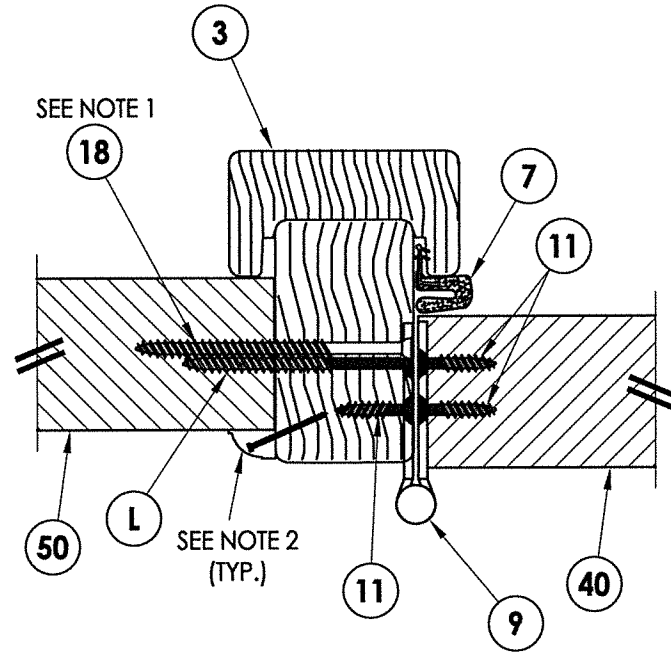
PART OR ASSEMBLY: ELEVATIONS

NO.	DATE	REVISIONS	BY

DATE: 4/26/22
 SCALE: N.T.S.
 DWG. BY: RW
 CHK. BY: LFS
 DRAWING NO.: FL-41477.3
 SHEET 5 OF 13

NOTES:

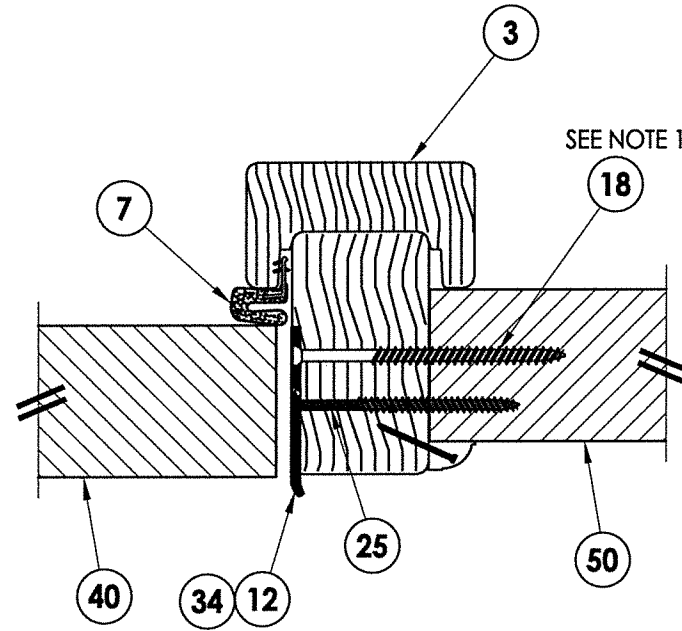
1. Sidelite assembly screws located @ 3" & 19" from each end of mullion (4 total).
2. Moulding secured w/ 16 GA. X 1" brad nails located 1" from ends & 6" o.c. max.



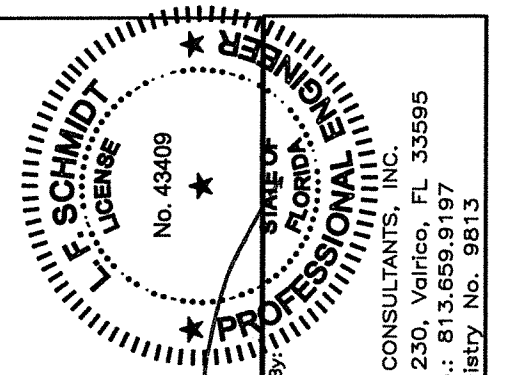
1 HORIZONTAL CROSS SECTION
6 Outswing shown (Inswing similar)

INTERIOR

EXTERIOR



2 HORIZONTAL CROSS SECTION
6 Outswing shown (Inswing similar)



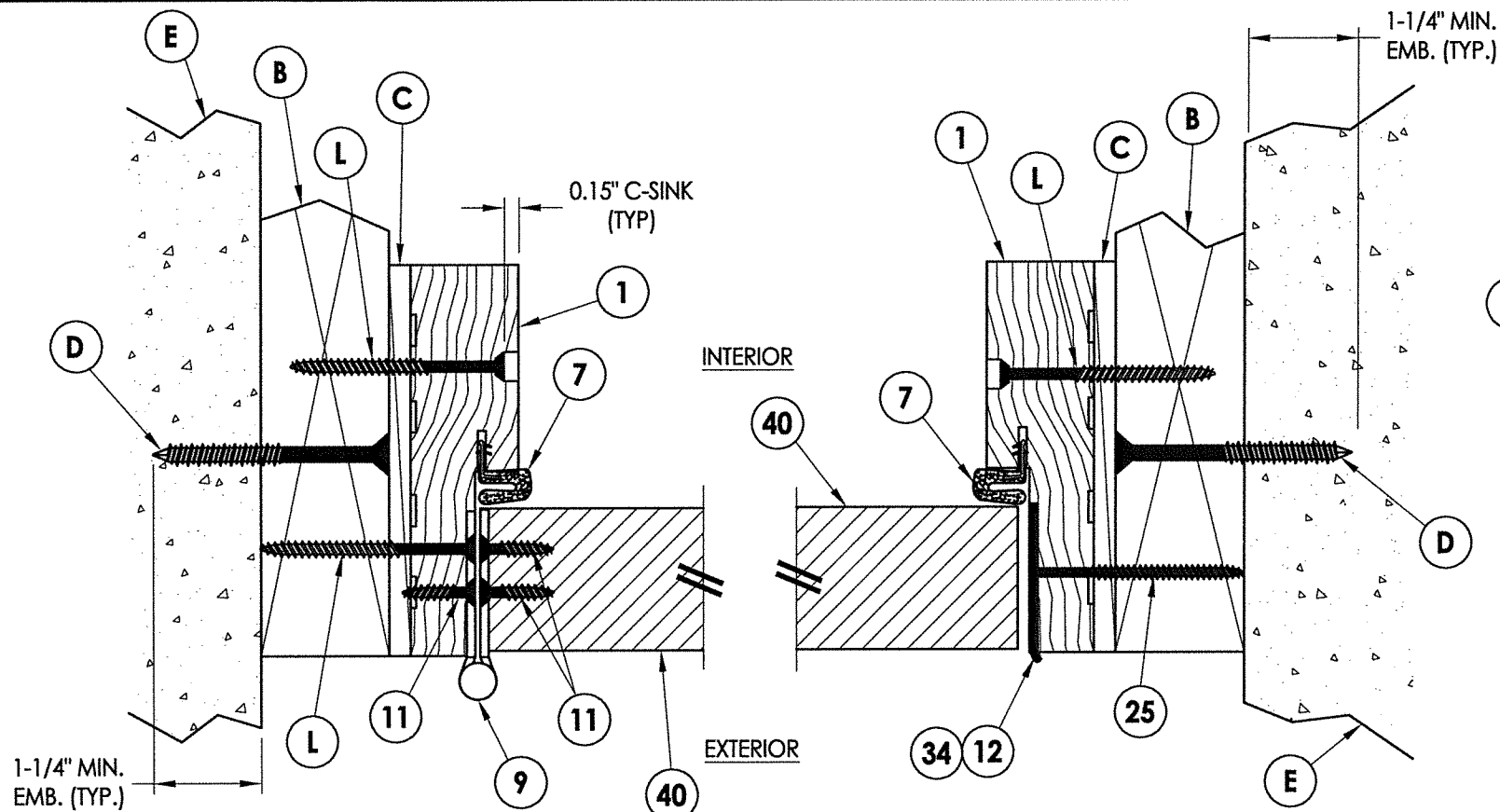
Lyndon F. Schmidt
 June 6, 2022
 Documents Prepared By:
 Lyndon F. Schmidt
 P.E. No. 43409

RW
 BUILDING CONSULTANTS, INC.
 P.O. Box 230, Valrico, FL 33595
 Phone No.: 813.659.9197
 FBPE Registry No. 9813

PRODUCT:
 STEVES & SONS
 FIBERGLASS DOOR
 PART OR ASSEMBLY:
 HORIZONTAL
 CROSS SECTIONS

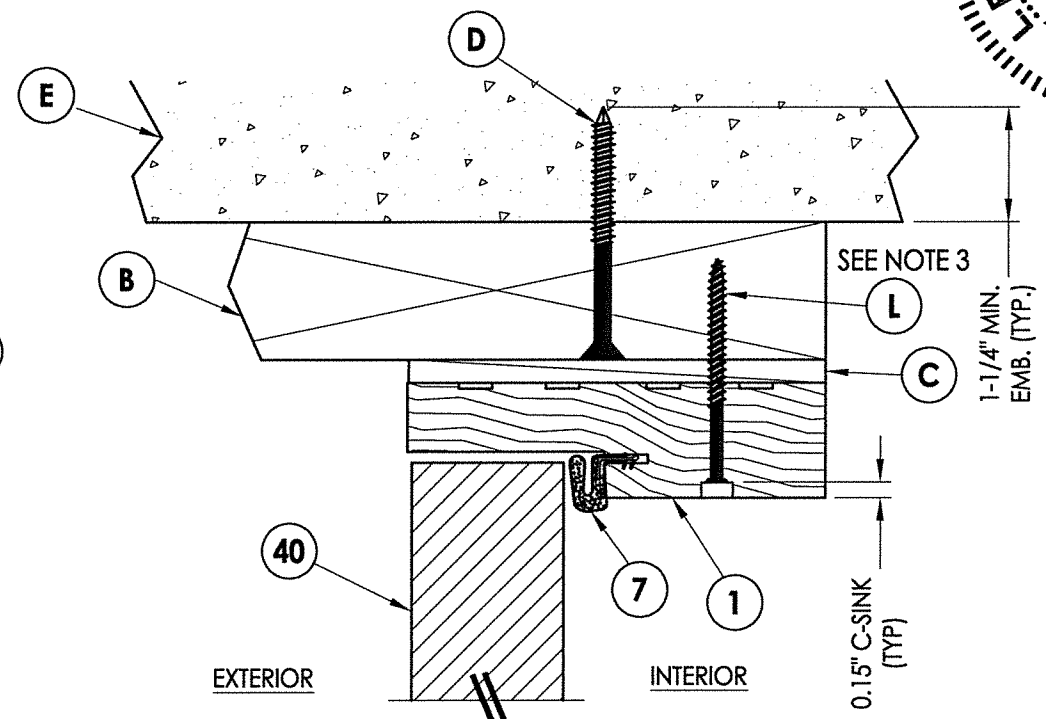
NO.	DATE	BY

DATE: 4/26/22
 SCALE: N.T.S.
 DWG. BY: RW
 CHK. BY: LFS
 DRAWING NO.:
 FL-41477.3
 SHEET 6 OF 13

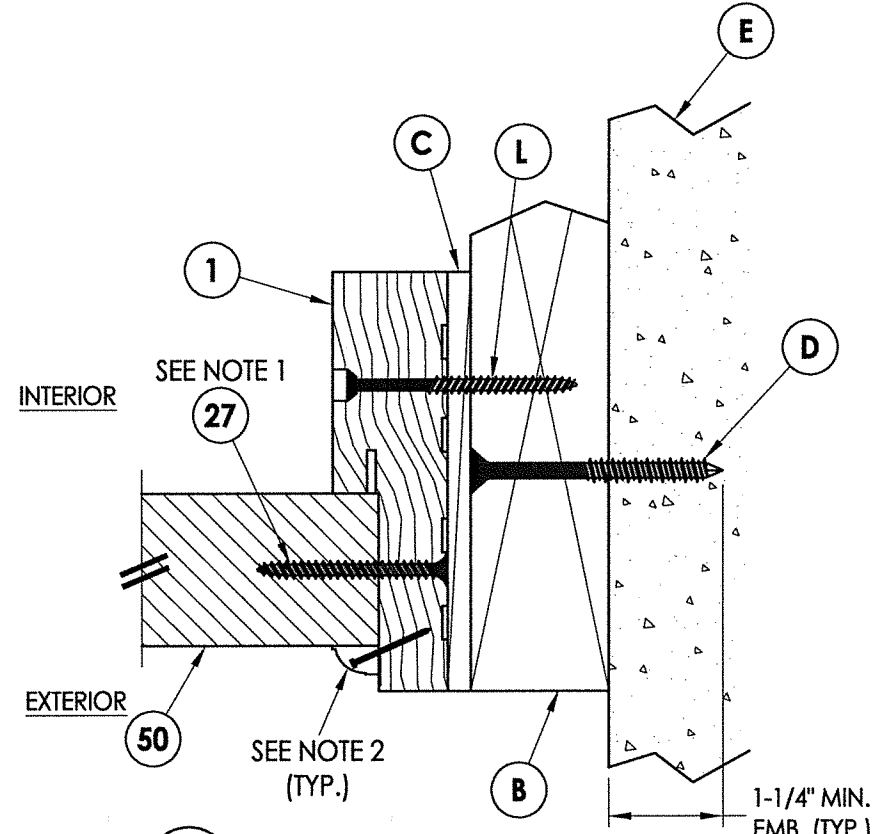


1
7 **HORIZONTAL CROSS SECTION**
Shown w/ 2X Buck
Outswing shown (Inswing similar)

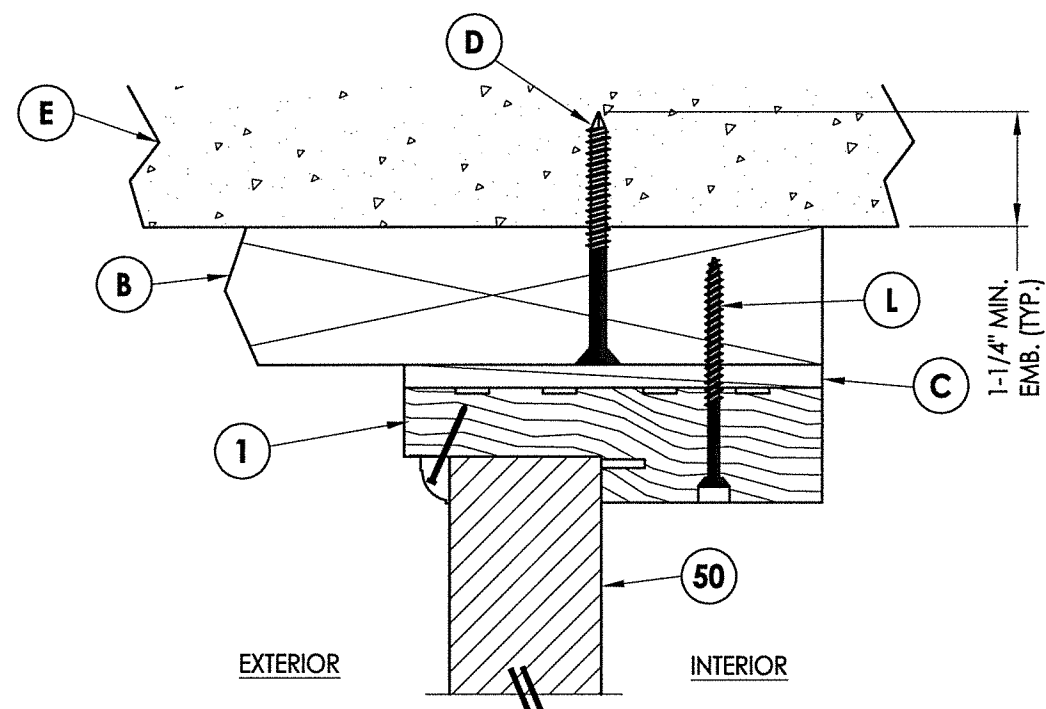
2
7 **HORIZONTAL CROSS SECTION**
Shown w/ 2X Buck
Outswing shown (Inswing similar)



4
7 **VERTICAL CROSS SECTION**
Shown w/ 2X Buck
Outswing shown (Inswing similar)



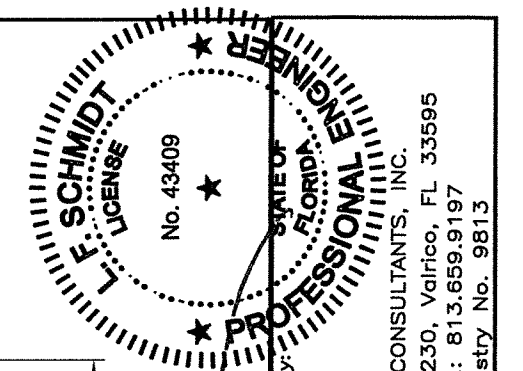
3
7 **HORIZONTAL CROSS SECTION**
Shown w/ 2X Buck
Outswing shown (Inswing similar)



5
7 **VERTICAL CROSS SECTION**
Shown w/ 2X Buck
Outswing shown (Inswing similar)

NOTES:

- Sidelite assembly screws located 4" from each end plus 4 more equally spaced along jamb (6 total).
- Moulding secured w/ 16 GA. X 1" brad nails located 1" from ends & 6" o.c. max.
- Anchor @ head is not required for single door (X) only.



June 6, 2022

Documents Prepared By:
Lyndon F. Schmidt
P.E. No. 43409

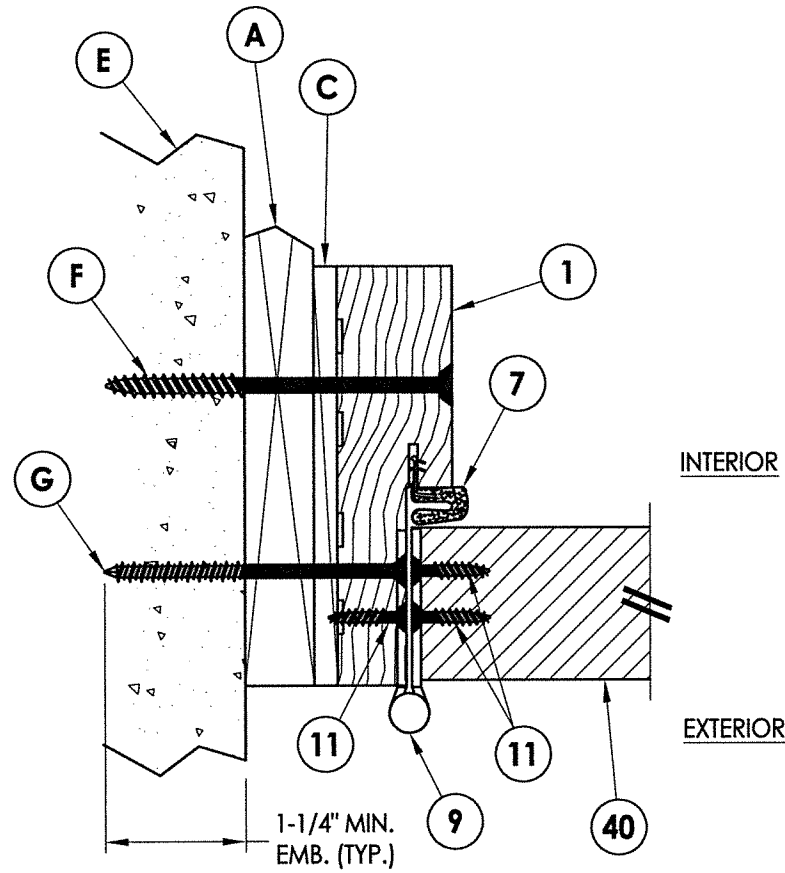
R.W.
BUILDING CONSULTANTS, INC.
P.O. Box 230, Valrico, FL 33595
Phone No.: 813.659.9197
FBPE Registry No. 9813

PRODUCT:	STEVES & SONS FIBERGLASS DOOR
PART OR ASSEMBLY:	HORIZONTAL & VERTICAL CROSS SECTIONS (2X BUCK)

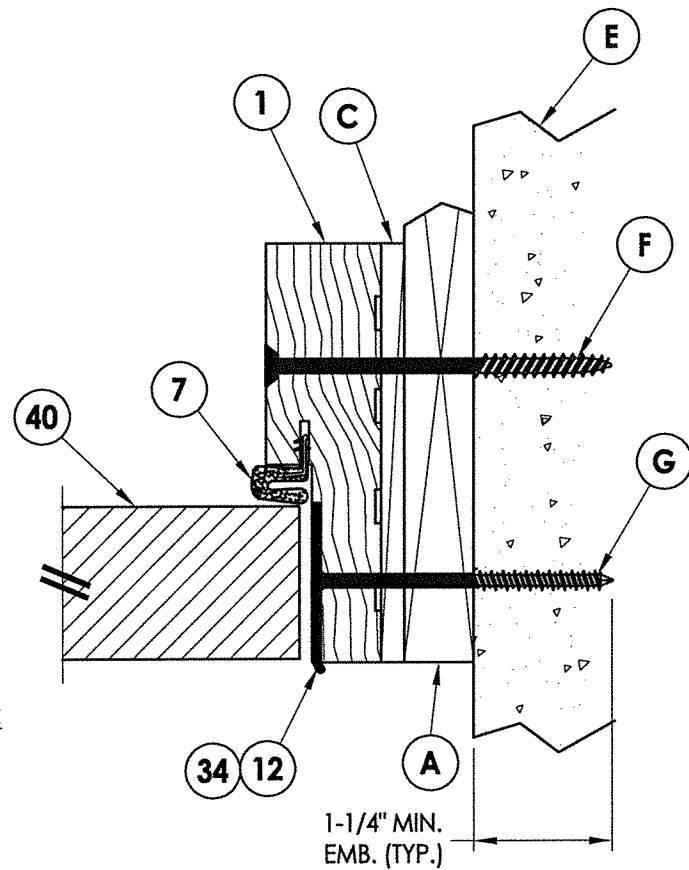
NO.	DATE	BY

DATE:	4/26/22
SCALE:	N.T.S.
DWG. BY:	RW
CHK. BY:	LFS
DRAWING NO.:	FL-41477.3
SHEET	7 OF 13

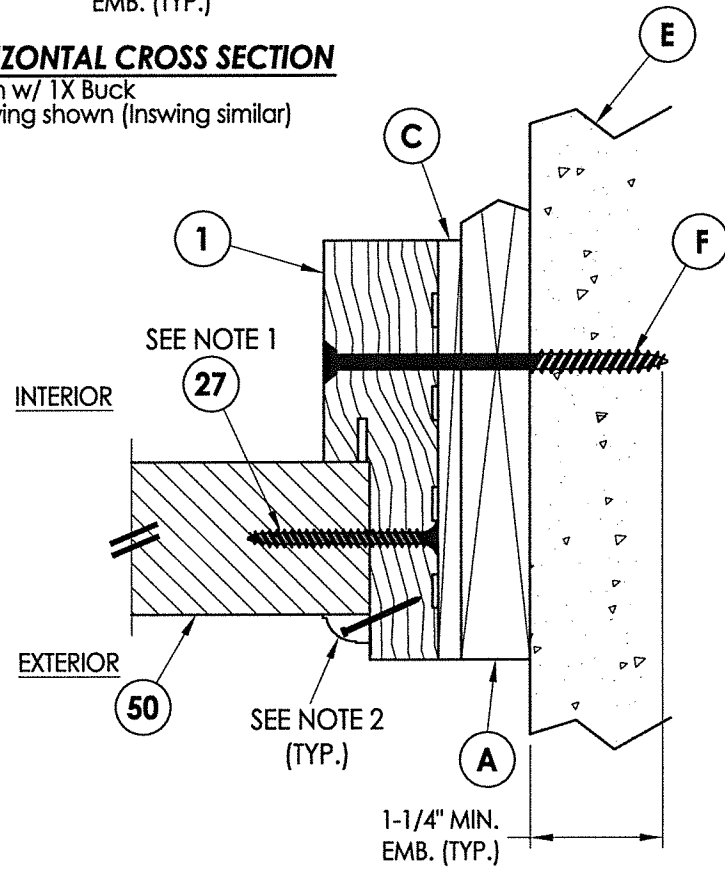
Z:\Clients\Stevens and Sons - Permanent\A - Florida Product Approvals\FL-41477 RELIANT SERIES\C - Drawings\FL-41477.3.dwg



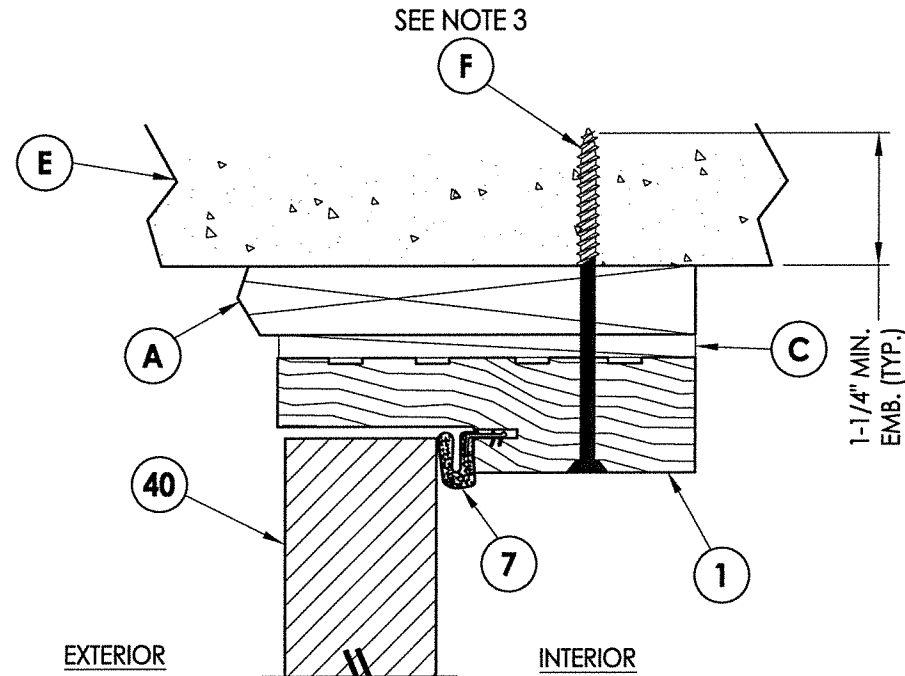
1 **HORIZONTAL CROSS SECTION**
8 Shown w/ 1X Buck
 Outswing shown (Inswing similar)



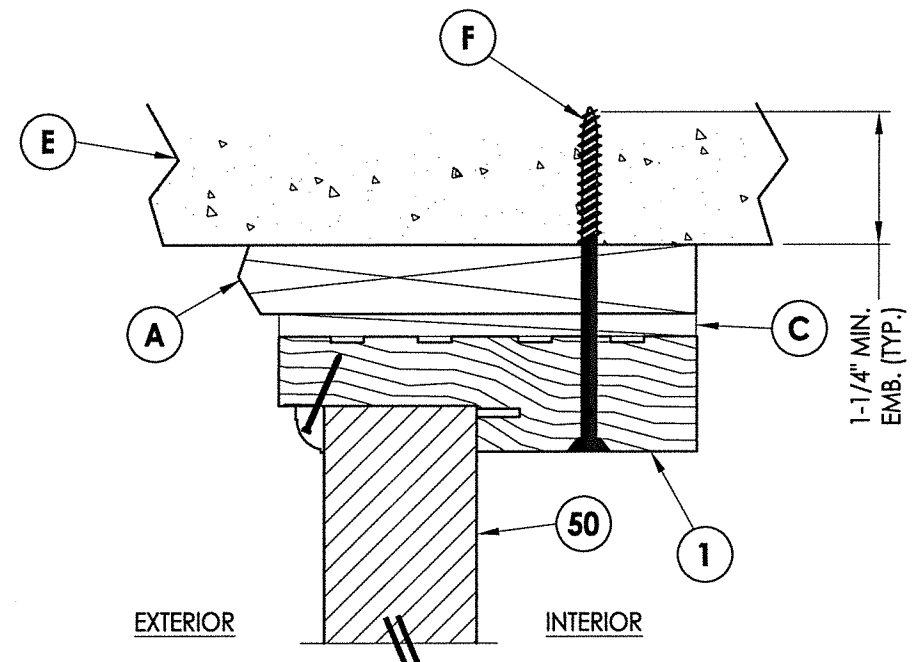
2 **HORIZONTAL CROSS SECTION**
8 Shown w/ 1X Buck
 Outswing shown (Inswing similar)



3 **HORIZONTAL CROSS SECTION**
8 Shown w/ 1X Buck
 Outswing shown (Inswing similar)



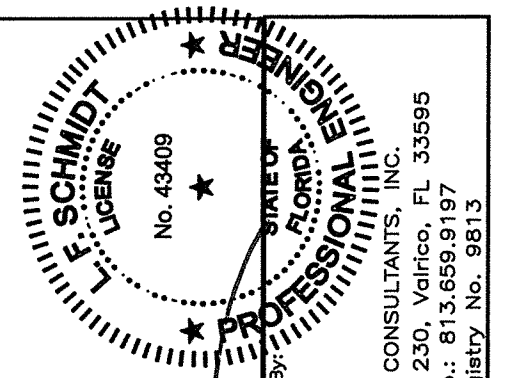
4 **VERTICAL CROSS SECTION**
8 Shown w/ 1X Buck
 Outswing shown (Inswing similar)



5 **VERTICAL CROSS SECTION**
8 Shown w/ 1X Buck
 Outswing shown (Inswing similar)

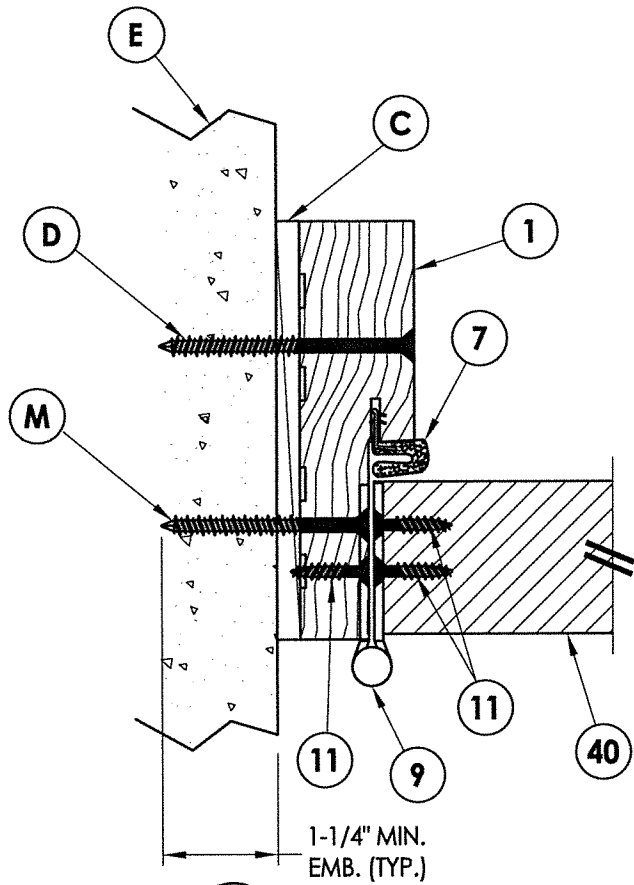
NOTES:

- 1. Sidelite assembly screws located 4" from each end plus 4 more equally spaced along jamb (6 total).
- 2. Moulding secured w/ 16 GA. X 1" brad nails located 1" from ends & 6" o.c. max.
- 3. Anchor @ head is not required for single door (X) only.

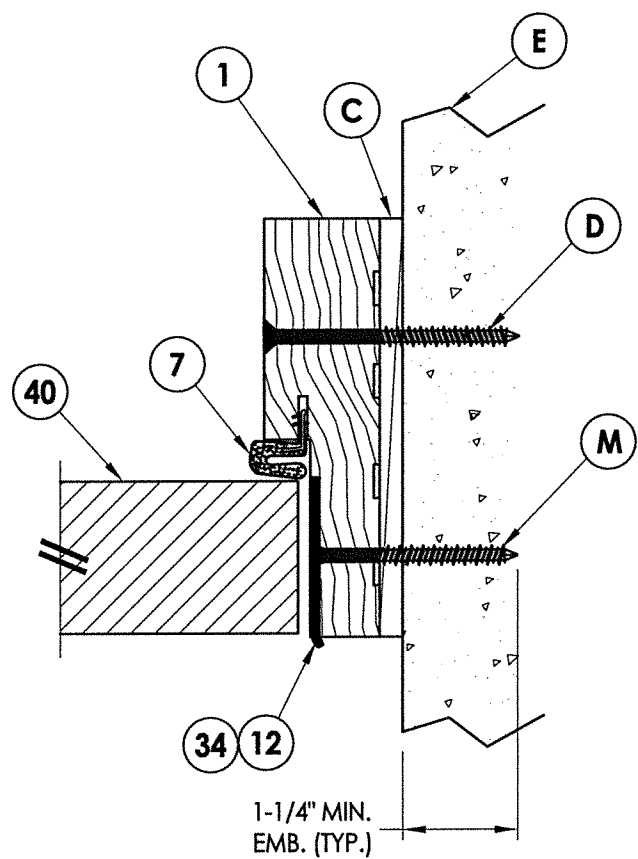


June 6, 2022
 Documents Prepared By:
 Lyndon F. Schmidt
 P.E. No. 43409
 R.W. BUILDING CONSULTANTS, INC.
 P.O. Box 230, Valrico, FL 33595
 Phone No.: 813.659.9197
 FBPE Registry No. 9813

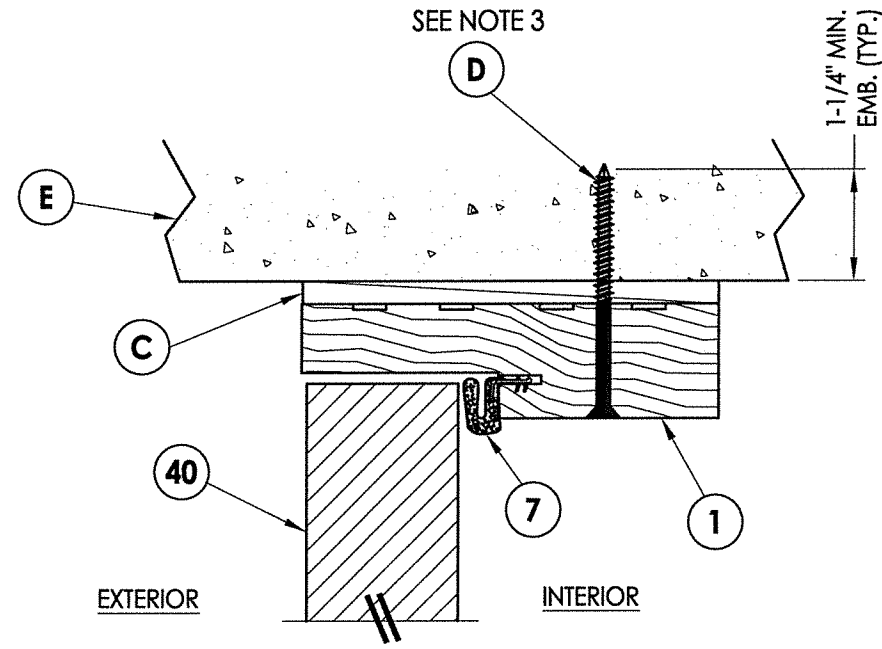
PRODUCT:		STEVE'S & SONS FIBERGLASS DOOR	
PART OR ASSEMBLY:		HORIZONTAL & VERTICAL CROSS SECTIONS (1X BUCK)	
NO.	DATE	BY	REVISIONS
DATE:		4/26/22	
SCALE:		N.T.S.	
DWG. BY:		RW	
CHK. BY:		LFS	
DRAWING NO.:		FL-41477.3	
SHEET		8 OF 13	



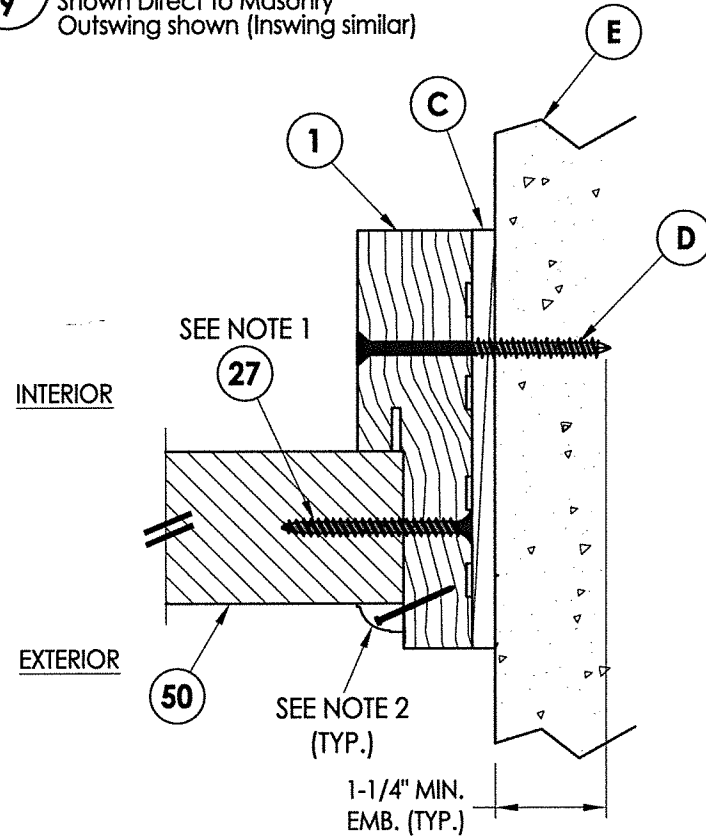
1 HORIZONTAL CROSS SECTION
 9 Shown Direct to Masonry
 Outswing shown (Inswing similar)



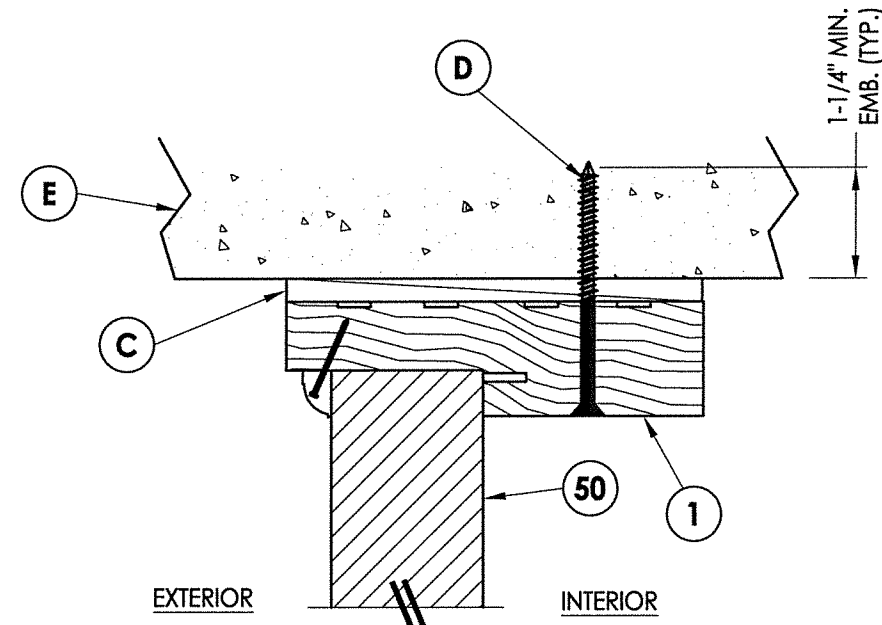
2 HORIZONTAL CROSS SECTION
 9 Shown Direct to Masonry
 Outswing shown (Inswing similar)



4 VERTICAL CROSS SECTION
 9 Shown Direct to Masonry
 Outswing shown (Inswing similar)



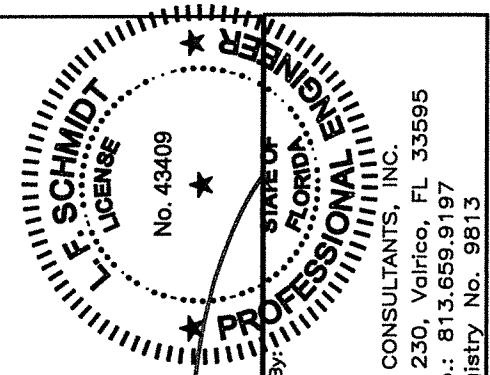
3 HORIZONTAL CROSS SECTION
 9 Shown Direct to Masonry
 Outswing shown (Inswing similar)



5 VERTICAL CROSS SECTION
 9 Shown Direct to Masonry
 Outswing shown (Inswing similar)

NOTES:

1. Sidelite assembly screws located 4" from each end plus 4 more equally spaced along jamb (6 total).
2. Moulding secured w/ 16 GA. X 1" brad nails located 1" from ends & 6" o.c. max.
3. Anchor @ head is not required for single door (X) only.

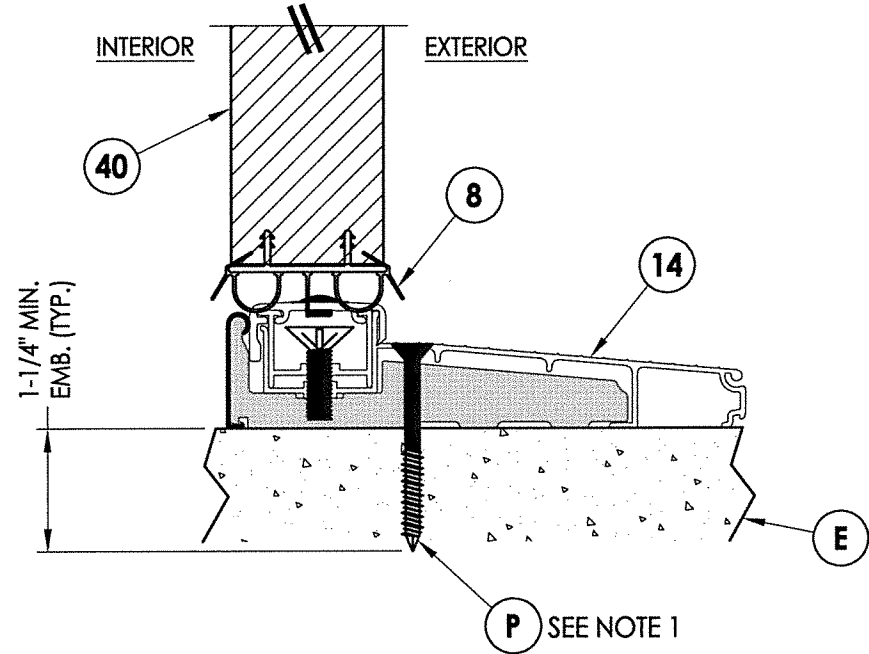


June 6, 2022
 Documents Prepared By:
 Lyndon F. Schmidt
 P.E. No. 43409
 RW BUILDING CONSULTANTS, INC.
 P.O. Box 230, Vairico, FL 33595
 Phone No.: 813.659.9197
 FBPE Registry No. 9813

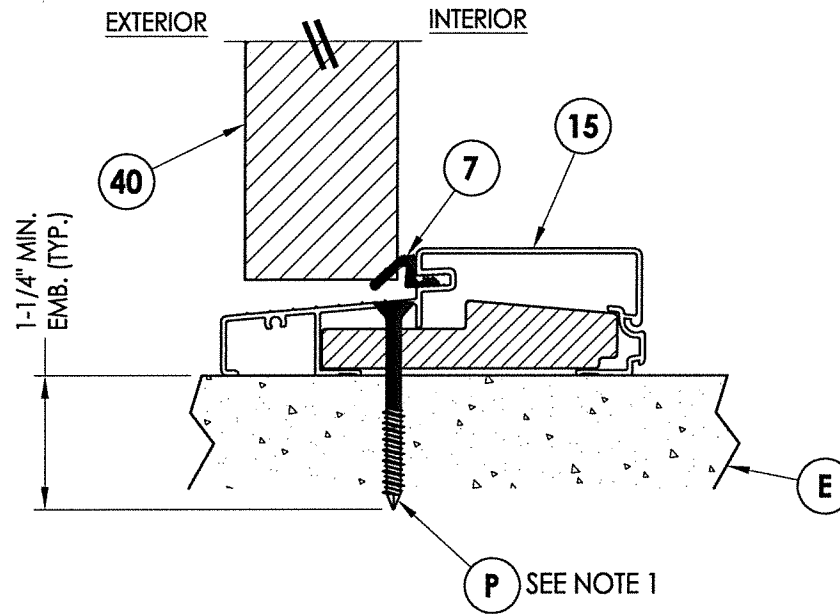
PRODUCT:		STEVES & SONS FIBERGLASS DOOR
PART OR ASSEMBLY:		HORIZONTAL & VERTICAL CROSS SECTIONS (DIRECT TO MASONRY)
NO.	DATE	BY
REVISIONS		
DATE:	4/26/22	
SCALE:	N.T.S.	
DWG. BY:	RW	
CHK. BY:	LFS	
DRAWING NO.:	FL-41477.3	
SHEET	9 OF 13	

Note:

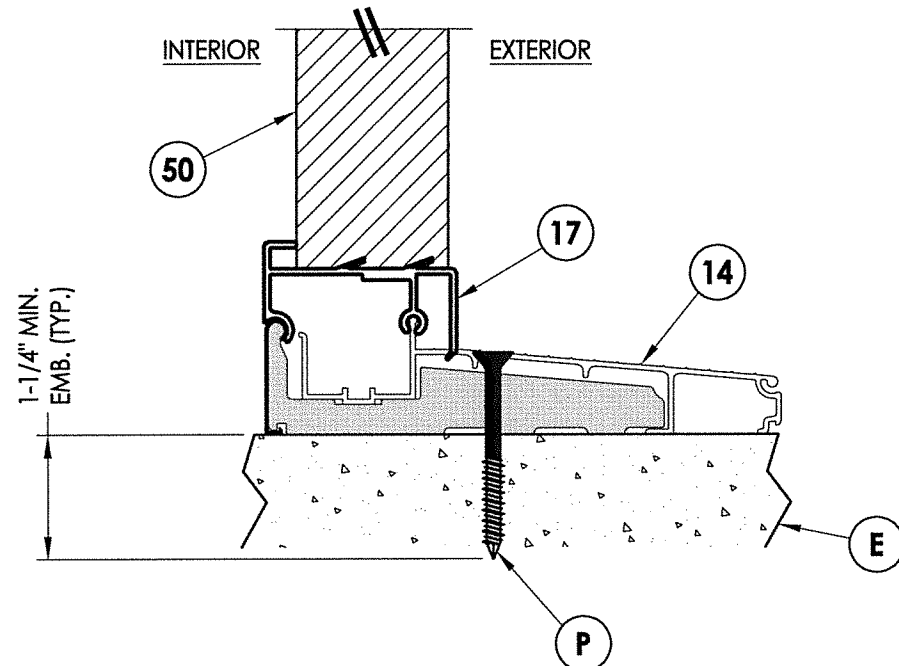
1. Anchor @ sill is not required for single door (X) only.



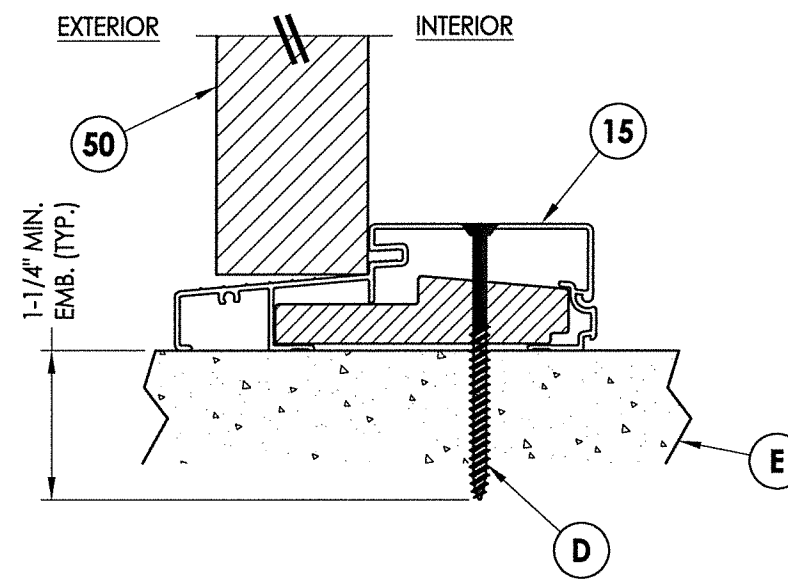
1 VERTICAL CROSS SECTION
10 Inswing Threshold



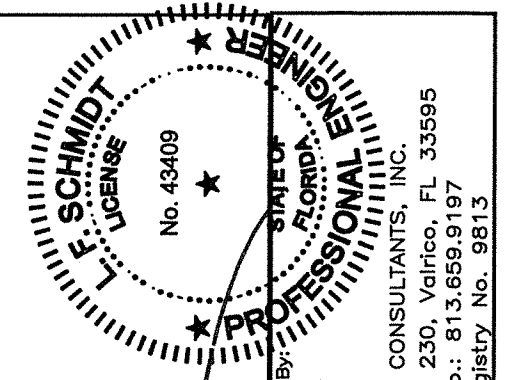
2 VERTICAL CROSS SECTION
10 Outswing Threshold



3 VERTICAL CROSS SECTION
10 Inswing Threshold



4 VERTICAL CROSS SECTION
10 Outswing Threshold



Handwritten signature of Lyndon F. Schmidt

June 6, 2022

Documents Prepared By:
Lyndon F. Schmidt
P.E. No. 43409

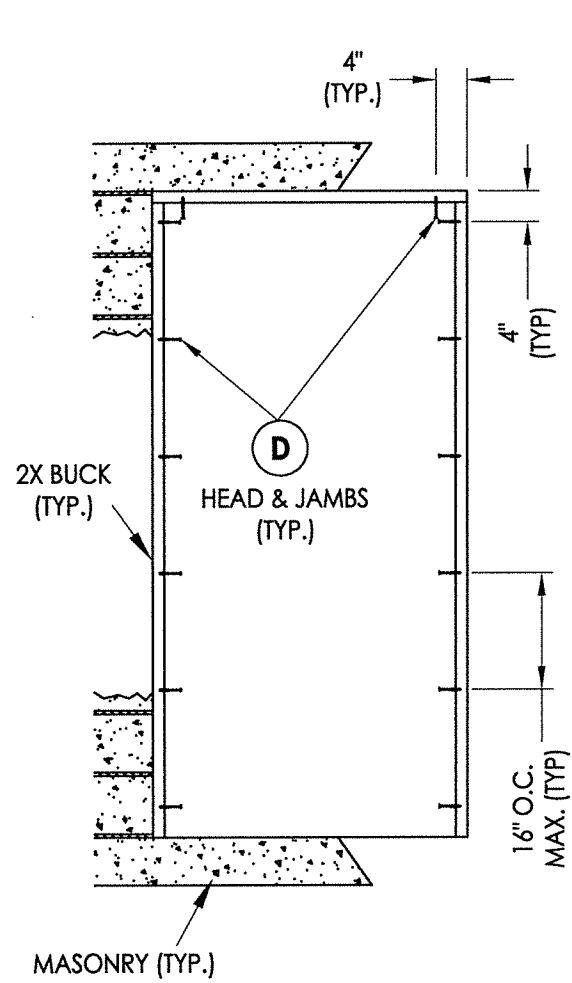
RW BUILDING CONSULTANTS, INC.
P.O. Box 230, Valrico, FL 33595
Phone No.: 813.659.9197
FBPE Registry No. 9813

PRODUCT: STEVES & SONS FIBERGLASS DOOR
PART OR ASSEMBLY: VERTICAL CROSS SECTIONS

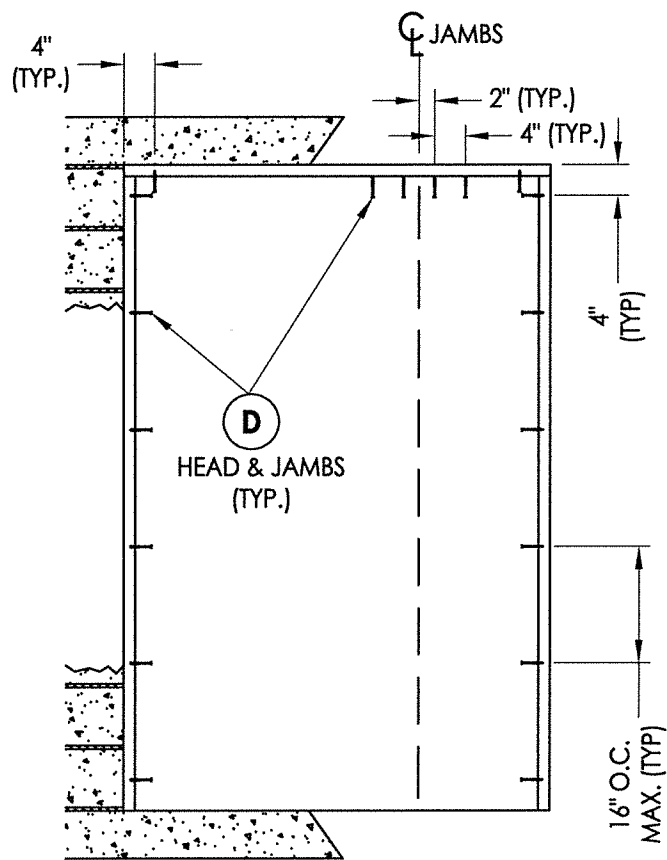
NO.	DATE	BY	REVISIONS

DATE: 4/26/22
SCALE: N.T.S.
DWG. BY: RW
CHK. BY: LFS
DRAWING NO.: FL-41477.3
SHEET 10 OF 13

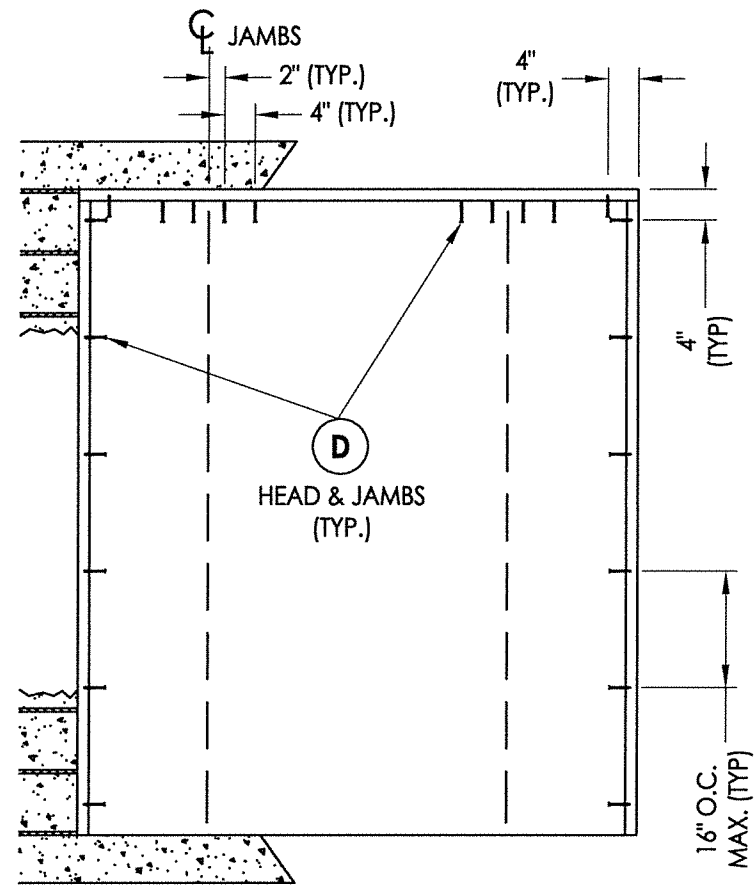
Z:\Clients\Steves and Sons - Permanent\VA - Florida Product Approvals\FL-41477 RELIANT SERIES\C - Drawings\FL-41477 (2020)\FL-41477.3.dwg



X

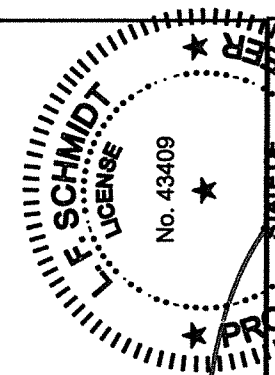


XO, OX



OXO

2X BUCK ANCHORING



June 6, 2022
Documents Prepared By:
Lyndon F. Schmidt
P.E. No. 43409

RW BUILDING CONSULTANTS, INC.
P.O. Box 230, Valrico, FL 33595
Phone No.: 813.659.9197
FBPE Registry No. 9813

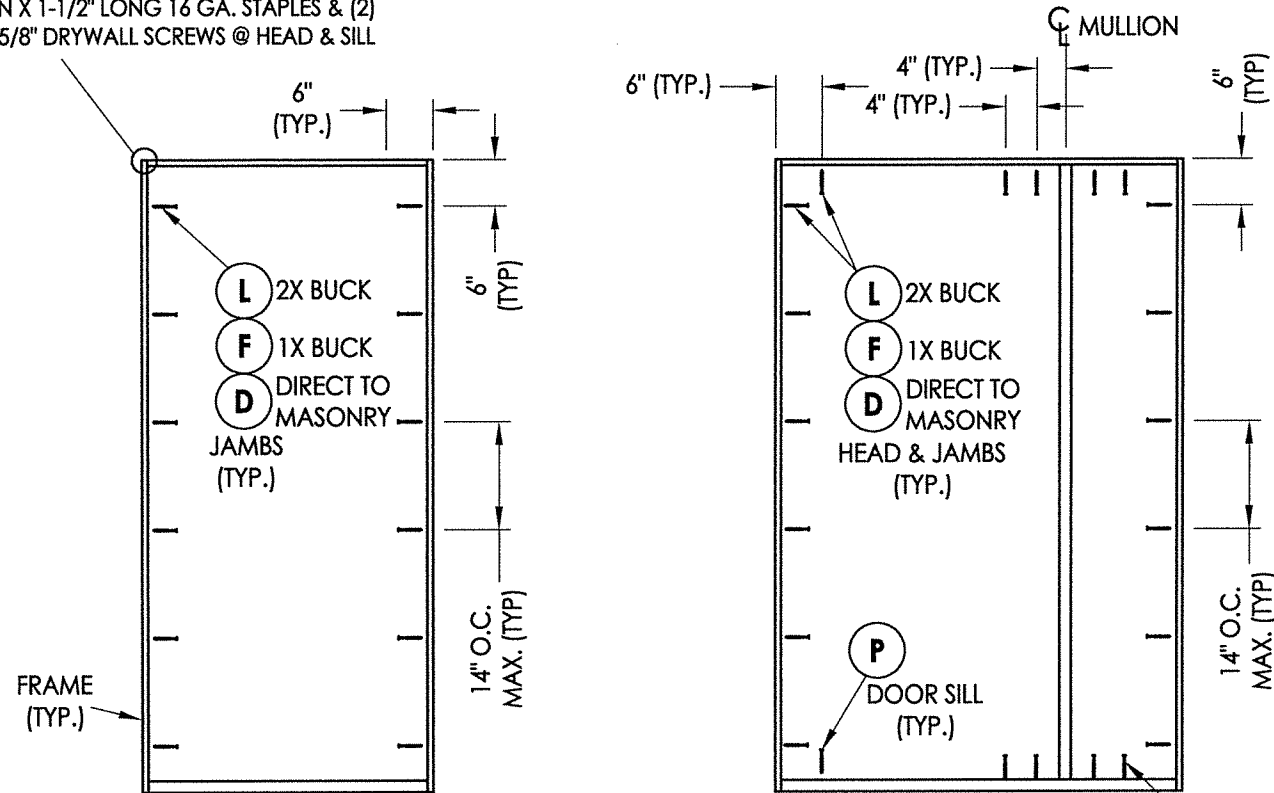
PRODUCT:
STEVE'S & SONS
FIBERGLASS DOOR

PART OR ASSEMBLY:
BUCK ANCHORING

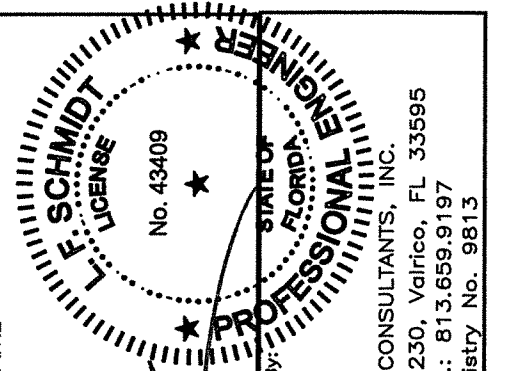
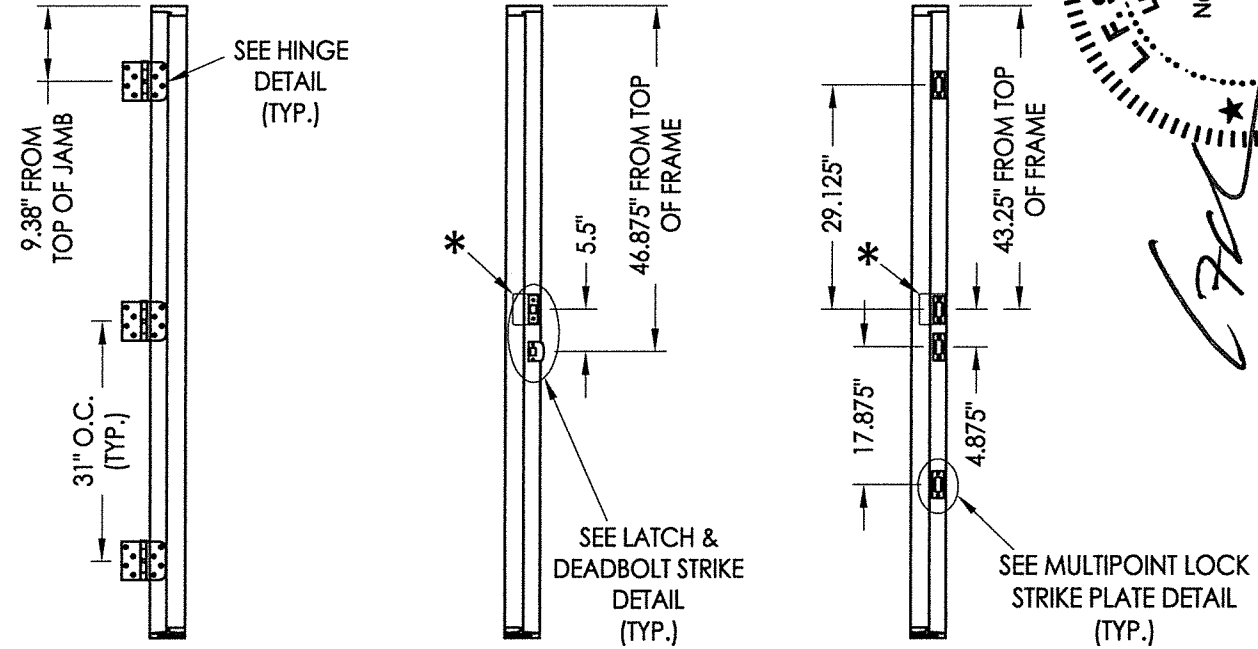
NO.	DATE	BY

DATE: 4/26/22
SCALE: N.T.S.
DWG. BY: RW
CHK. BY: LFS
DRAWING NO.: FL-41477.3
SHEET 11 of 13

FRAME CORNERS ATTACHED w/ (3) 7/16" CROWN X 1-1/2" LONG 16 GA. STAPLES & (2) #7 X 1-5/8" DRYWALL SCREWS @ HEAD & SILL (TYP.)



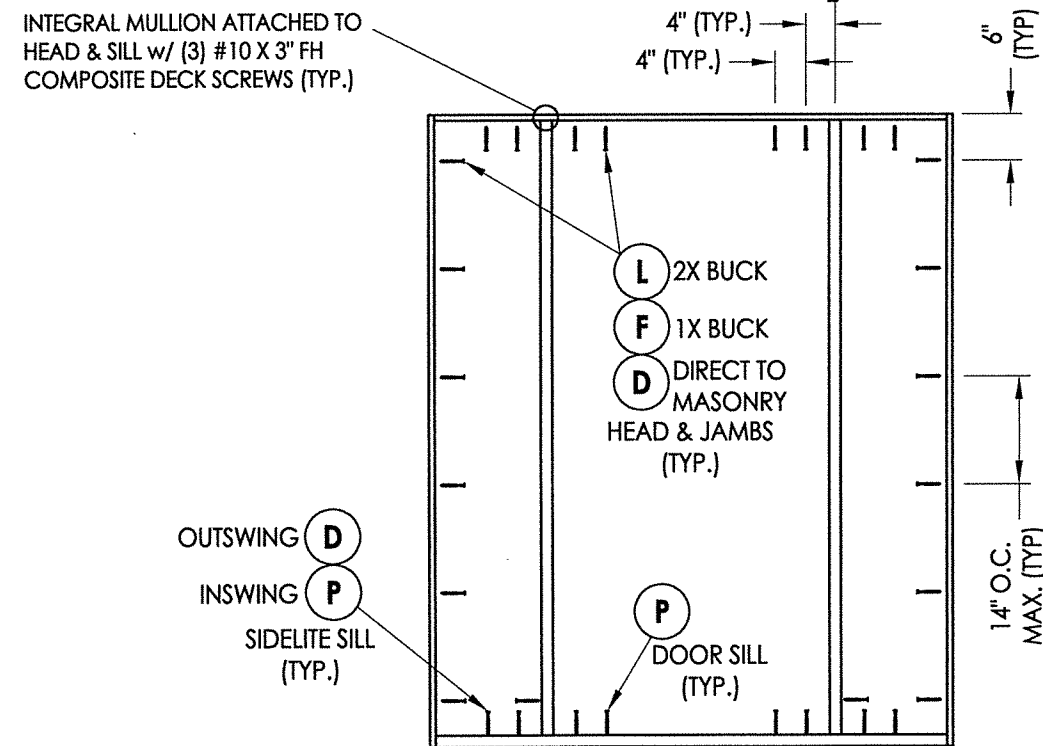
* 3.5" X 4" 20 GA. STEEL PLATE ATTACHED TO BACK OF LOCK JAMB w/ (4) 1" CROWN X 5/8" LONG 16 GA. STAPLES



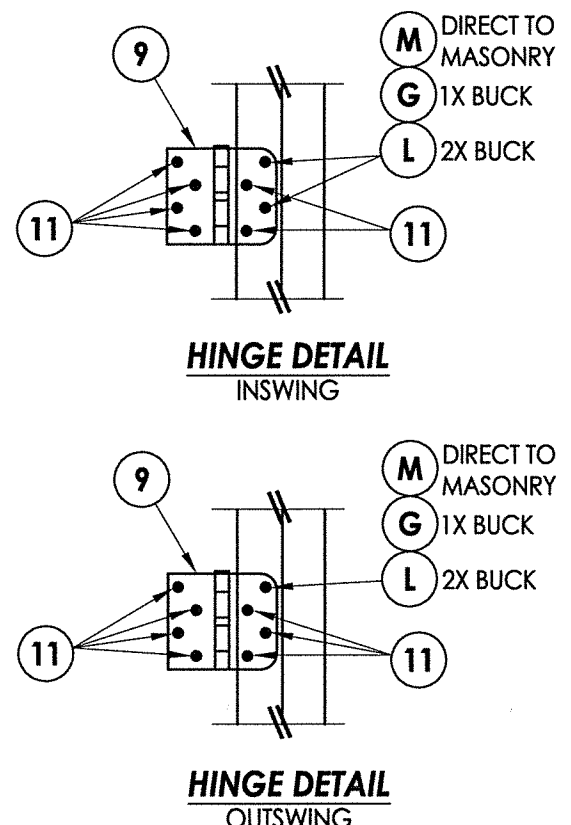
June 6, 2022
 Documents Prepared By: Lyndon F. Schmidt
 P.E. No. 43409
 R.W. BUILDING CONSULTANTS, INC.
 P.O. Box 230, Valrico, FL 33595
 Phone No.: 813.659.9197
 FBPE Registry No. 9813

X

XO, OX



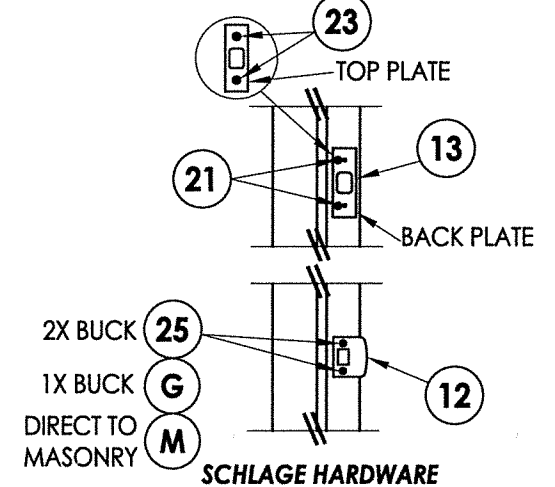
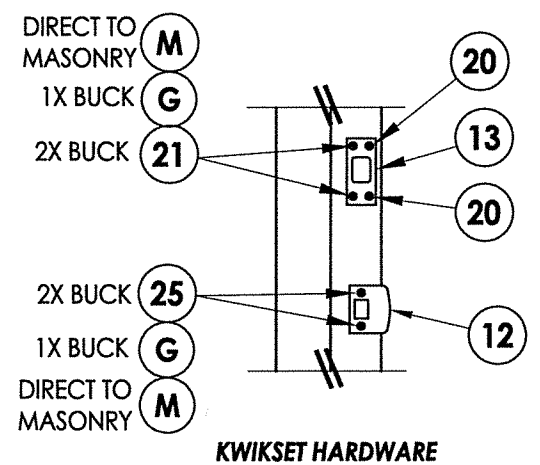
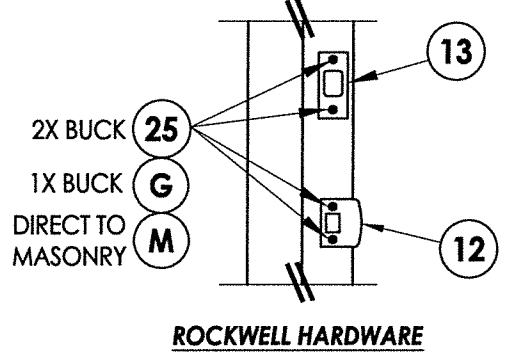
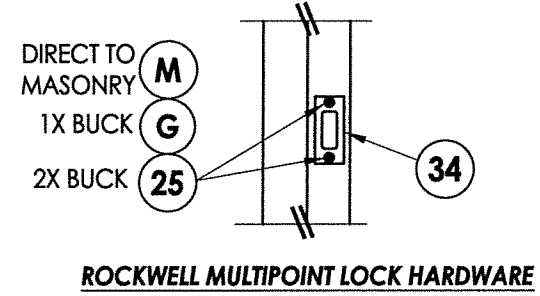
D OUTSWING
 P INSWING
 SIDELITE SILL (TYP.)



HINGE JAMB/MULLION

STRIKE JAMB/MULLION LATCH & DEADBOLT

STRIKE JAMB/MULLION MULTIPOINT LOCK



OXO
FRAME ANCHORING

HINGE DETAIL
 OUTSWING

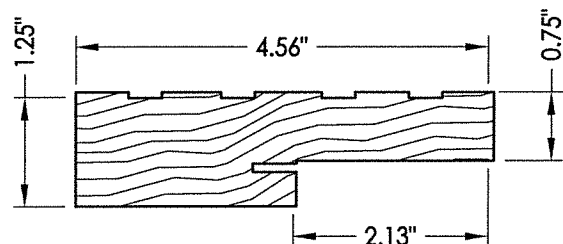
HARDWARE DETAILS

PRODUCT:	STEVES & SONS FIBERGLASS DOOR	
	PART OR ASSEMBLY:	FRAME ANCHORING & HARDWARE DETAILS
NO.	DATE	BY
DATE: 4/26/22		
SCALE: N.T.S.		
DWG. BY: RW		
CHK. BY: LFS		
DRAWING NO.: FL-41477.3		
SHEET 12 OF 13		

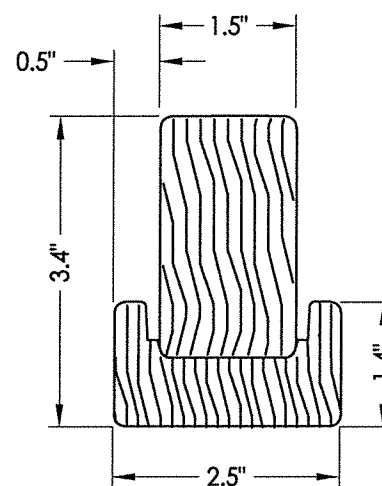
Z:\Clients\Stevens and Sons - Permanent\A - Florida Product Approvals\FL-41477 RELIANT SERIES\C - Drawings\FL-41477 (2020)\FL-41477.3.dwg

BILL OF MATERIALS

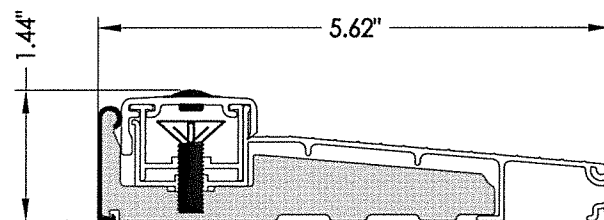
ITEM #	DESCRIPTION	MATERIAL
A	1X BUCK (G >= 0.42)	WOOD
B	2X BUCK (G >= 0.42)	WOOD
C	1/4" MAX. SHIM SPACE	-
D	1/4" X 2-3/4" PFH DeWALT OR ITW CONCRETE SCREW	STEEL
E	MASONRY - 3,000 PSI MIN. CONCRETE CONFORMING TO ACI 301 OR HOLLOW BLOCK CONFORMING TO ASTM C90	CONCRETE
F	1/4" X 3-3/4" PFH DeWALT OR ITW CONCRETE SCREW	STEEL
G	3/16" X 3-1/4" PFH ITW CONCRETE SCREW	STEEL
L	#10 X 2-1/2" PFH WOOD SCREW (1.15" MIN. EMB.)	STEEL
M	3/16" X 2-1/4" PFH ITW CONCRETE SCREW	STEEL
P	1/4" X 2-1/4" PFH DeWALT OR ITW CONCRETE SCREW	STEEL
1	WOOD JAMB	WOOD
3	WOOD MULLION	WOOD
7	WEATHERSTRIP	FOAM
8	SWEEP	VINYL
9	4" X 4" HINGE	STEEL
11	#9 X 3/4" PFH WOOD SCREW	STEEL
12	LATCH STRIKE PLATE	STEEL
13	DEADBOLT STRIKE PLATE	STEEL
14	INSWING THRESHOLD	ALUM/COMP
15	OUTSWING THRESHOLD	ALUM/COMP
17	INSWING SIDELITE ADAPTER	PVC
18	#8 X 3" SD TRIM SCREW	STEEL
20	#9 X 1/2" PFH WOOD SCREW	STEEL
21	#12 X 2-1/2" PFH WOOD SCREW	STEEL
23	#8 X 3/4" PFH WOOD SCREW	STEEL
25	#8 X 2-1/2" PFH WOOD SCREW	STEEL
27	#7 X 1-5/8" DRYWALL SCREW	STEEL
34	MULTIPOINT LOCK STRIKE PLATE	STEEL
40	DOOR PANEL	-
50	SIDELITE PANEL	-



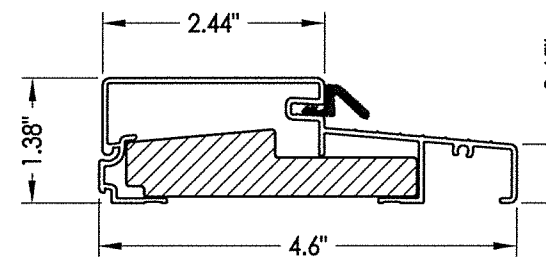
1 WOOD JAMB
FINGER JOINT PINE



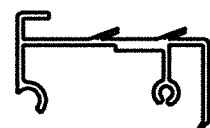
3 WOOD MULLION
CLEAR POPLAR



14 INSWING THRESHOLD
Columbia



15 OUTSWING THRESHOLD
Columbia



17 INSWING SIDELITE SPACER
Columbia

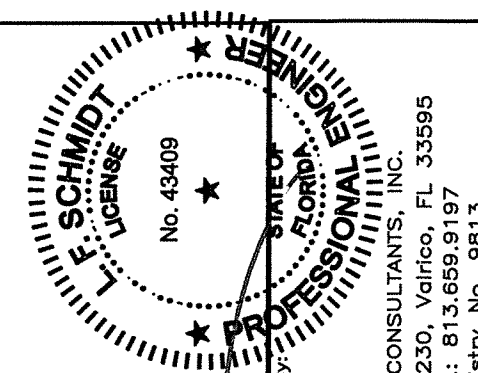
CONCRETE ANCHOR NOTES:

- Concrete anchor locations at the corners may be adjusted to maintain the min. edge distance to mortar joints.
- Concrete anchor locations noted as "MAX. ON CENTER" must be adjusted to maintain the min. edge distance to mortar joints, additional concrete anchors may be required to ensure the "MAX. ON CENTER" dimension are not exceeded.
- Concrete anchor table:

ANCHOR TYPE	ANCHOR SIZE	MIN. EMBEDMENT	MIN. CLEARANCE TO MASONRY EDGE	MIN. CLEARANCE TO ADJACENT ANCHOR
ITW BUILDEX	3/16"	1-1/4"	3"	1-1/2"
TAPCON®	1/4"	1-1/4"	2"	4"
DeWALT ULTRACON®	1/4"	1-1/4"	1"	4"

WOOD SCREW INSTALLATION NOTES:

- Maintain a minimum 5/8" edge distance, 1" end distance, & 1" o.c. spacing of wood screws to prevent the splitting of wood.



LFS

June 6, 2022

Documents Prepared By:

Lyndon F. Schmidt
P.E. No. 43409

R.W. BUILDING CONSULTANTS, INC.
P.O. Box 230, Valrico, FL 33595
Phone No.: 813.659.9197
FBPE Registry No. 9813

PRODUCT: ALL SEASONS, INC. FIBERGLASS DOOR
PART OR ASSEMBLY: BILL OF MATERIALS & COMPONENTS

NO.	DATE	BY	REVISIONS

DATE: 4/26/22
SCALE: N.T.S.
DWG. BY: RW
CHK. BY: LFS
DRAWING NO.: FL-41477.3
SHEET 13 OF 13