

STEVE'S AND SONS

203 Humble Ave.
San Antonio, TX 78225

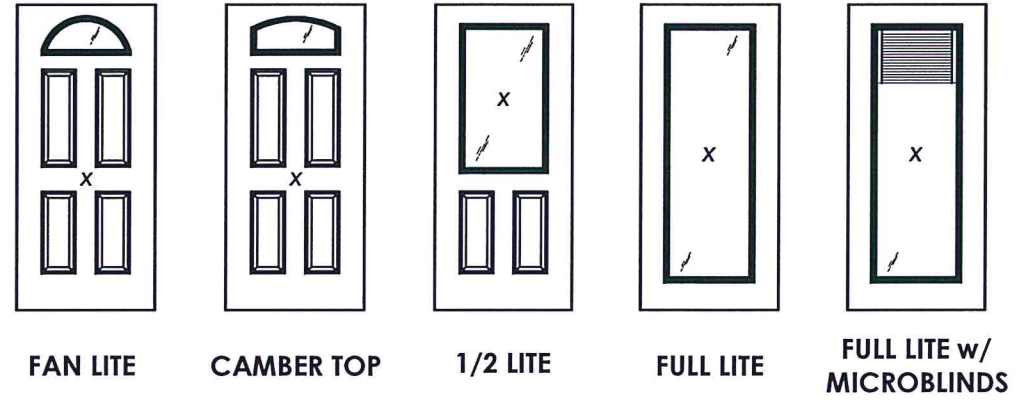
GLAZED FIBERGLASS DOOR DOUBLE

IN SWING/OUT SWING
"NON-IMPACT"

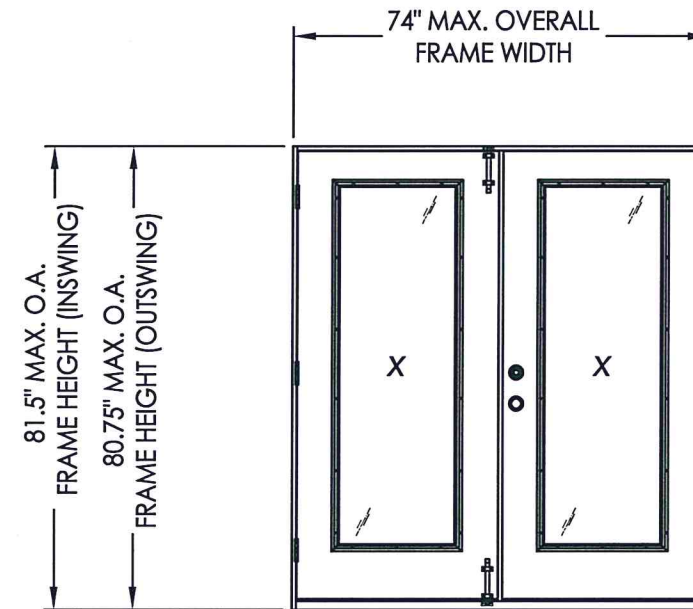
GENERAL NOTES

1. This product has been evaluated and is in compliance with the 7th Edition (2020) Florida Building Code (FBC) structural requirements excluding the "High Velocity Hurricane Zone" (HVHZ).
2. Product anchors shall be as listed and spaced as shown on details. Anchor embedment to base material shall be beyond wall dressing or stucco.
3. When used in areas requiring wind borne debris protection this product is required to be protected with an impact resistant covering that complies with FBC Sections 1609.1.2 & R301.2.1.2 of the FBC.
4. For 2x stud framing construction, anchoring of these units shall be the same as that shown for 2x buck masonry construction.
5. Site conditions that deviate from the details of this drawing require further engineering analysis by a licensed engineer or registered architect.

TABLE OF CONTENTS			
SHEET #	DESCRIPTION	SHEET #	
1	Typical Elevations, Design Pressures & General Notes	6	Horizontal & Vertical Cross Sections (1X Buck)
2	Door Panel Details	7	Horizontal & Vertical Cross Sections (Direct to Masonry)
3	Panel Options	8	Vertical Cross Sections
4	Elevations	9	Buck & Frame Anchoring & Hardware Details
5	Horizontal & Vertical Cross Sections (2X Buck)	10	Bill of Materials & Components



RELIANT CLEAR GLASS COLLECTION

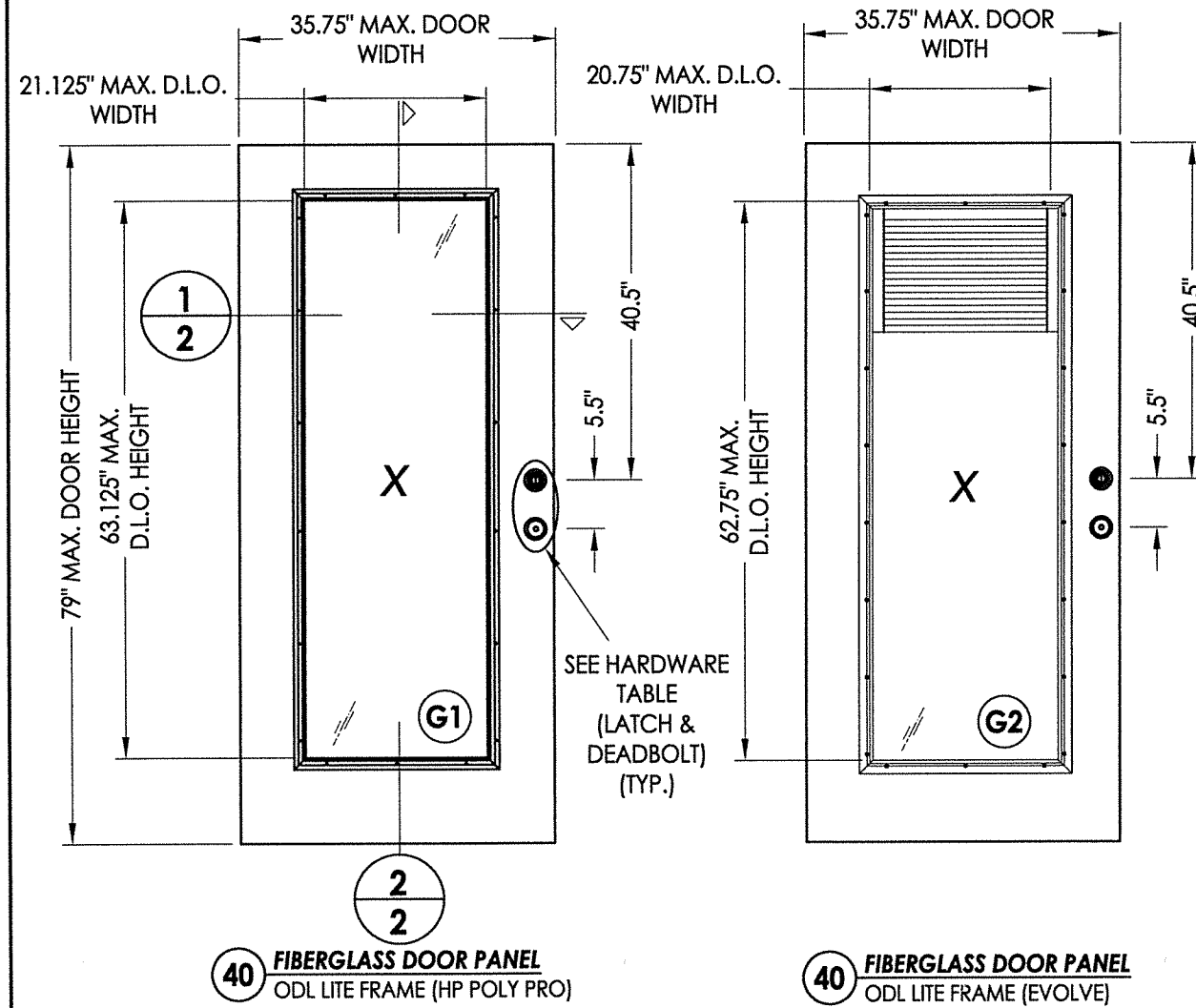
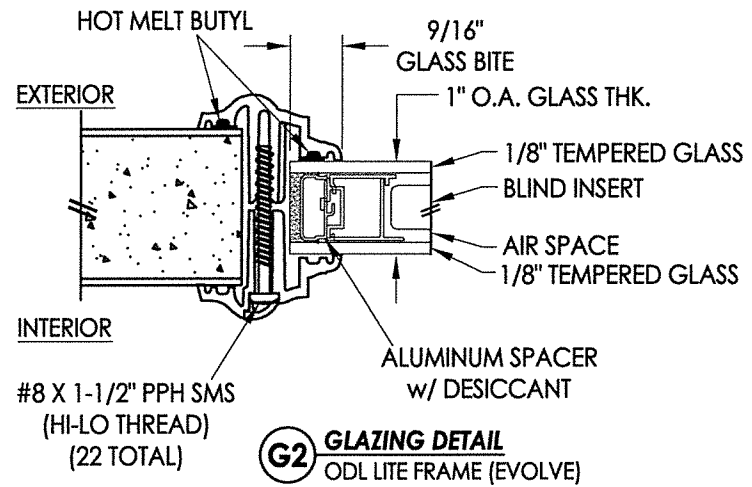
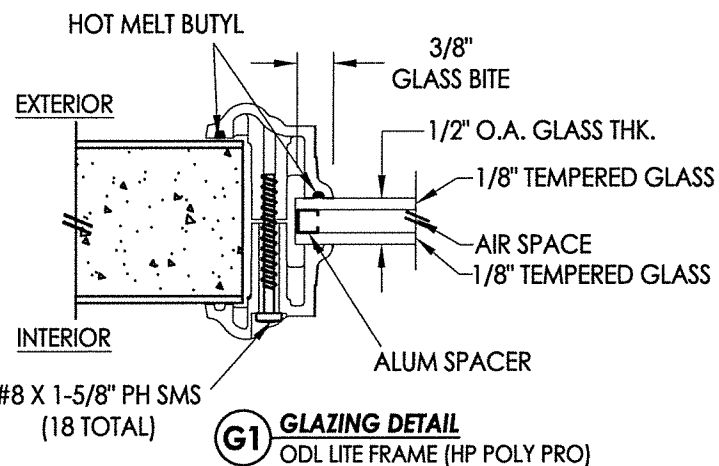
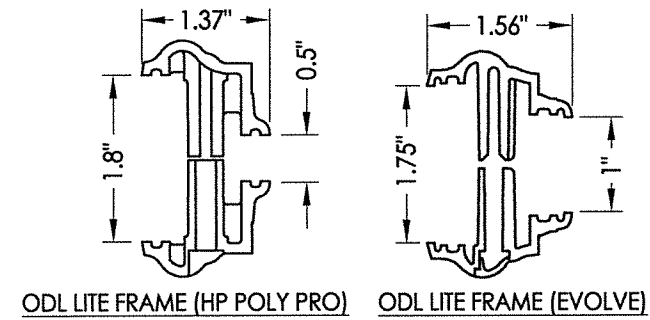
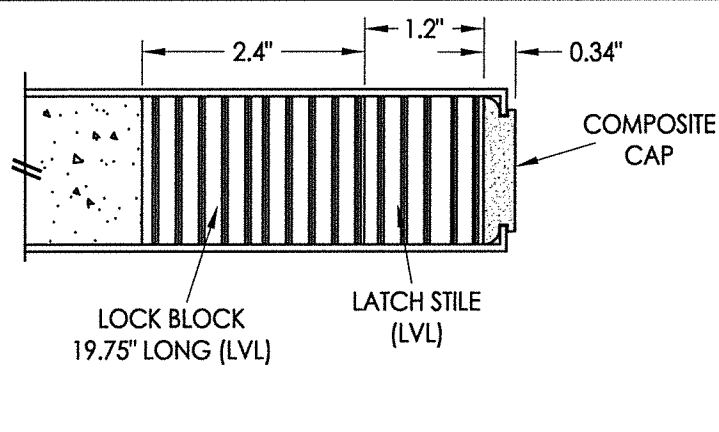
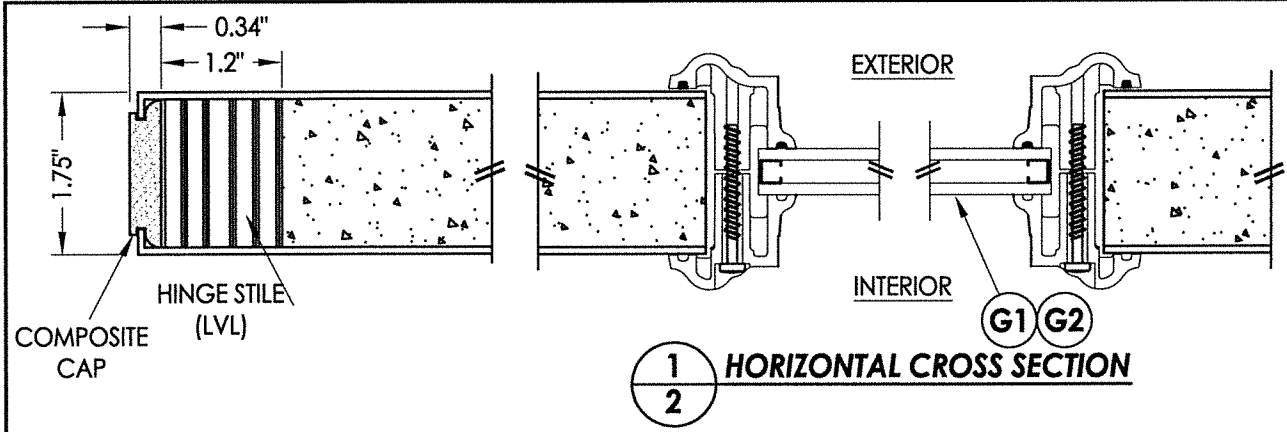


CONFIGURATION	MAX. FRAME DIMENSION	SURFACE BOLTS REQUIRED	DESIGN PRESSURE (PSF) IN SWING		DESIGN PRESSURE (PSF) OUT SWING	
			POSITIVE	NEGATIVE	POSITIVE	NEGATIVE
XX	74.0" x 81.5"	NO	+20.0	-20.0	+25.0	-25.0
		YES	+25.0	-30.0	+35.0	-35.0

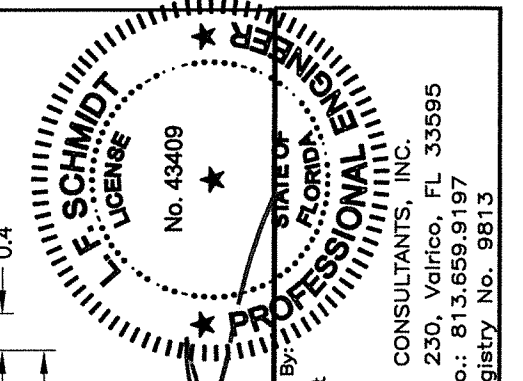
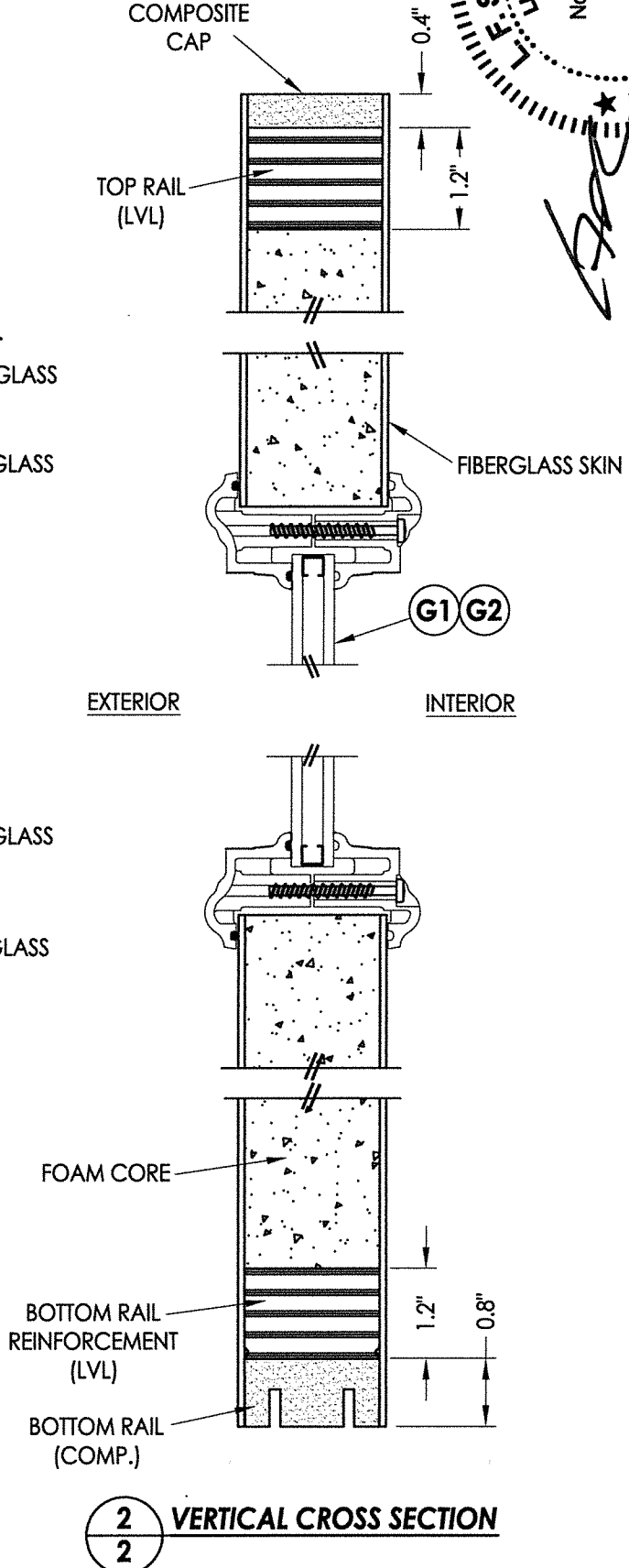
June 6, 2022
 Documents Prepared By:
 Lyndon F. Schmidt
 P.E. No. 43409
 BUILDING CONSULTANTS, INC.
 P.O. Box 230, Vairico, FL 33595
 Phone No.: 813.659.9197
 FBPE Registry No. 9813

PRODUCT:		STEVE'S & SONS FIBERGLASS DOOR	
PART OR ASSEMBLY:		TYPICAL ELEVATION, DESIGN PRESSURES & GENERAL NOTES	
NO.	DATE	BY	REVISIONS
DATE: 4/26/22			
SCALE: N.T.S.			
DWG. BY: RW			
CHK. BY: LFS			
DRAWING NO.: FL-41477.4			
SHEET 1 OF 10			

Z:\Clients\Steves and Sons - Permanent\A - Florida Product Approvals\FL-41477 RELIANT SERIES\C - Drawings\FL-41477 (2020)\FL-41477.4.dwg



HARDWARE TABLE		
MANUFACTURER	MODEL	
KWIKSET	LATCH:	SIGNATURE SERIES
	DEADBOLT:	SIGNATURE SERIES (980)
SCHLAGE	LATCH:	F51
	DEADBOLT:	B60N
ROCKWELL	LATCH:	PREMIUM HANDLESET
	DEADBOLT:	PREMIUM DEADBOLT



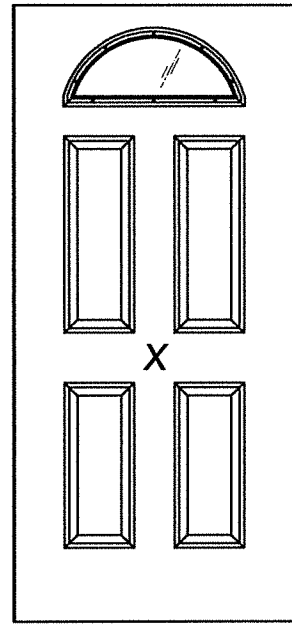
June 6, 2022

Documents Prepared By:
Lyndon F. Schmidt
P.E. No. 43409

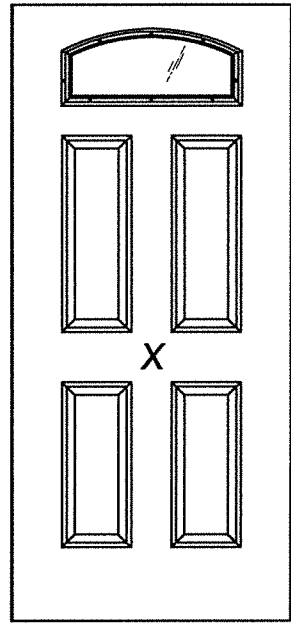
RW BUILDING CONSULTANTS, INC.
P.O. Box 230, Valrico, FL 33595
Phone No.: 813.659.9197
FBPE Registry No. 9813

PRODUCT:	STEVES & SONS FIBERGLASS DOOR
PART OR ASSEMBLY:	DOOR PANEL DETAILS
NO.	DATE
BY	REVISIONS
DATE:	4/26/22
SCALE:	N.T.S.
DWG. BY:	RW
CHK. BY:	LFS
DRAWING NO.:	FL-41477.4
SHEET	2 OF 10

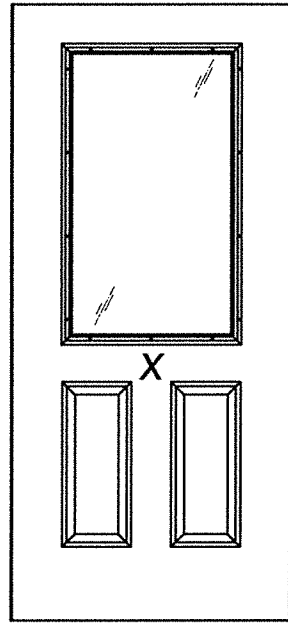
© 2022 R.W. BUILDING CONSULTANTS INC.



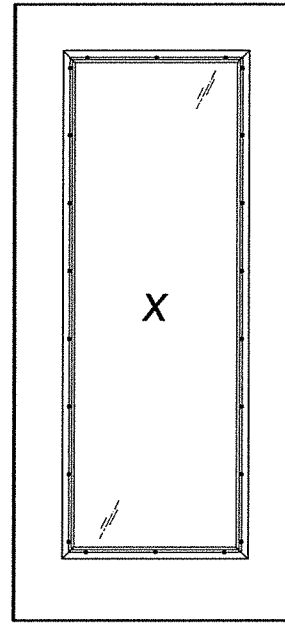
FAN LITE



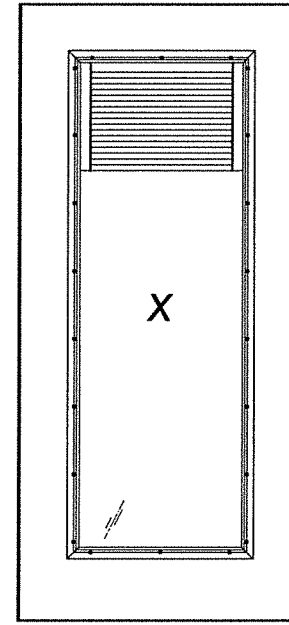
CAMBER TOP



1/2 LITE

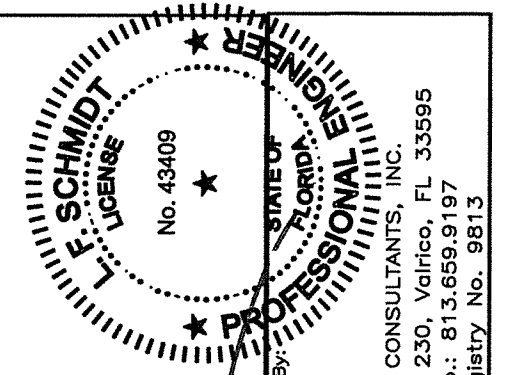


FULL LITE



FULL LITE
w/
MICROBLINDS

RELIANT CLEAR GLASS COLLECTION



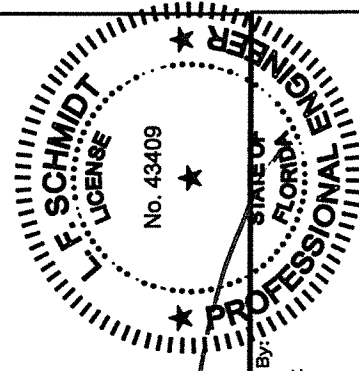
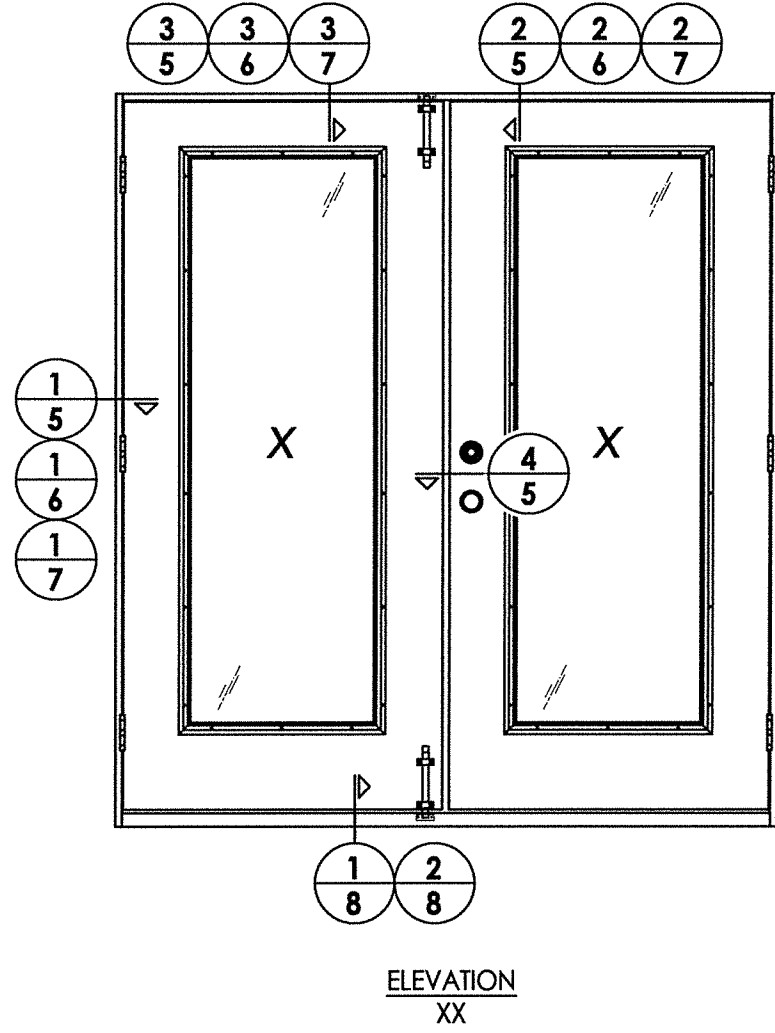
LFS
 June 6, 2022
 Documents Prepared By:
 Lyndon F. Schmidt
 P.E. No. 43409


RW
 BUILDING CONSULTANTS, INC.
 P.O. Box 230, Valrico, FL 33595
 Phone No.: 813.659.9197
 FBPE Registry No. 9813


PRODUCT: STEVES & SONS FIBERGLASS DOOR
 PART OR ASSEMBLY: PANEL OPTIONS

NO.	DATE	BY	REVISIONS

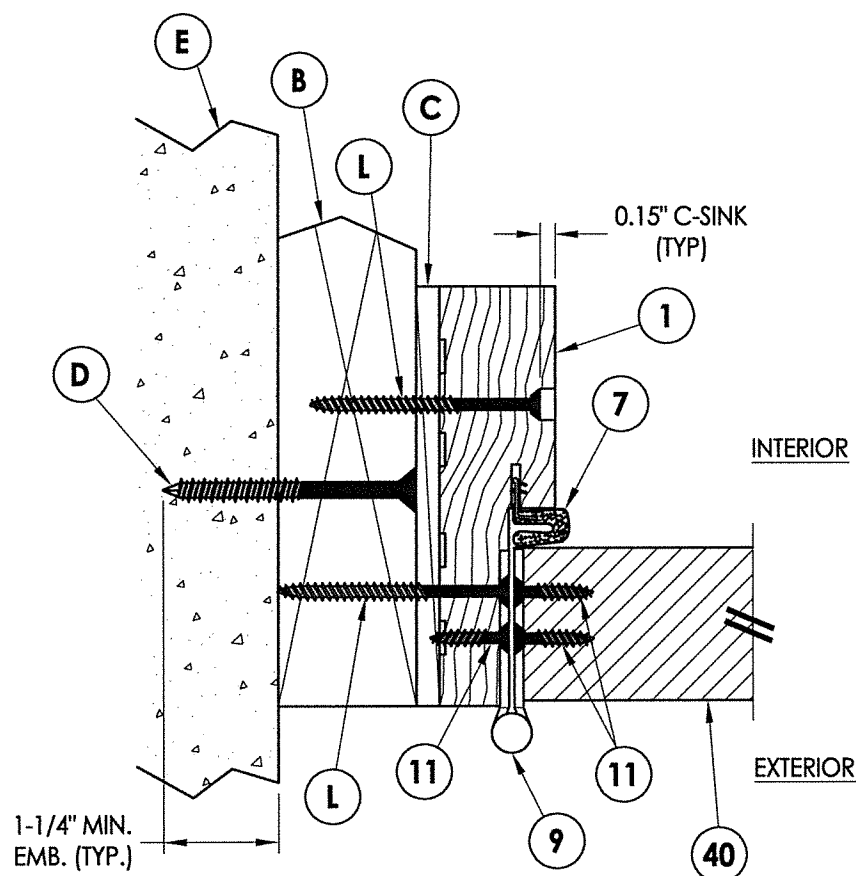
DATE: 4/26/22
 SCALE: N.T.S.
 DWG. BY: RW
 CHK. BY: LFS
 DRAWING NO.: FL-41477.4
 SHEET 3 OF 10



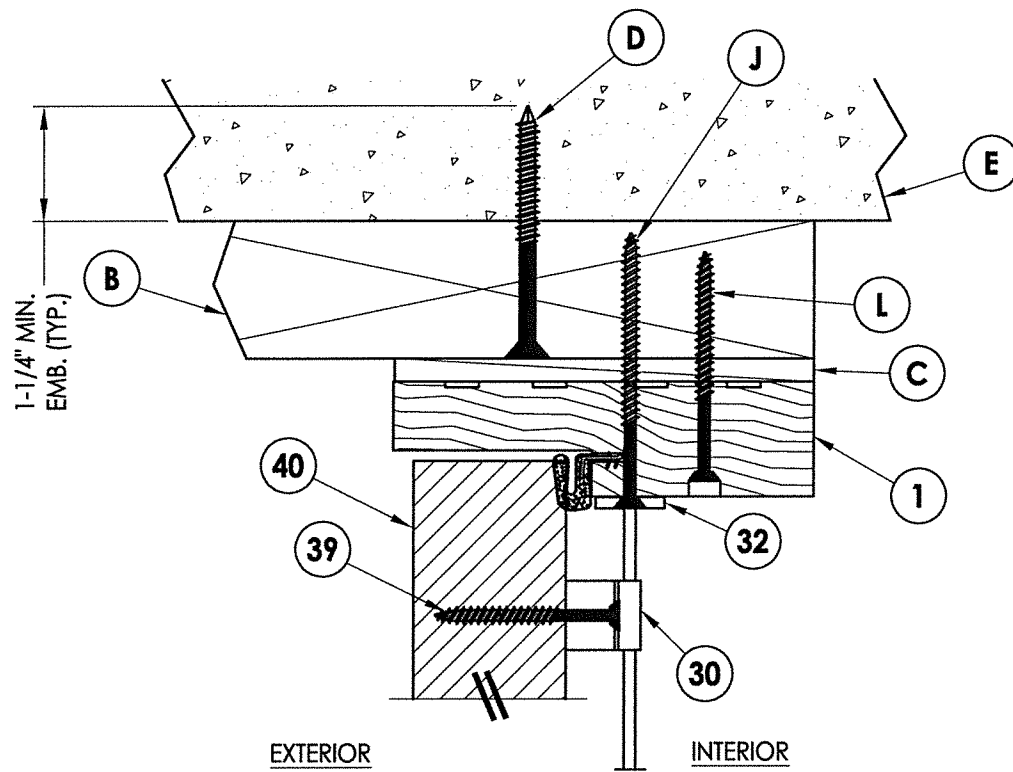

 June 6, 2022
 Documents Prepared By:
 Lyndon F. Schmidt
 P.E. No. 43409


 BUILDING CONSULTANTS, INC.
 P.O. Box 230, Vairico, FL 33595
 Phone No.: 813.659.9197
 FBPE Registry No. 9813

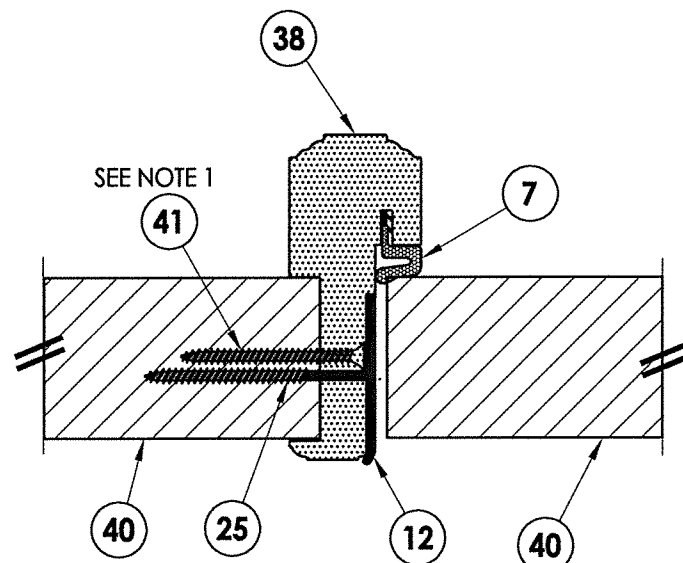
	PRODUCT:	STEVE'S & SONS FIBERGLASS DOOR	
	PART OR ASSEMBLY:	ELEVATIONS	
	NO.	DATE	BY
			REVISIONS
DATE: 4/26/22			
SCALE: N.T.S.			
DWG. BY: RW			
CHK. BY: LFS			
DRAWING NO.:			
FL-41477.4			
SHEET 4 OF 10			



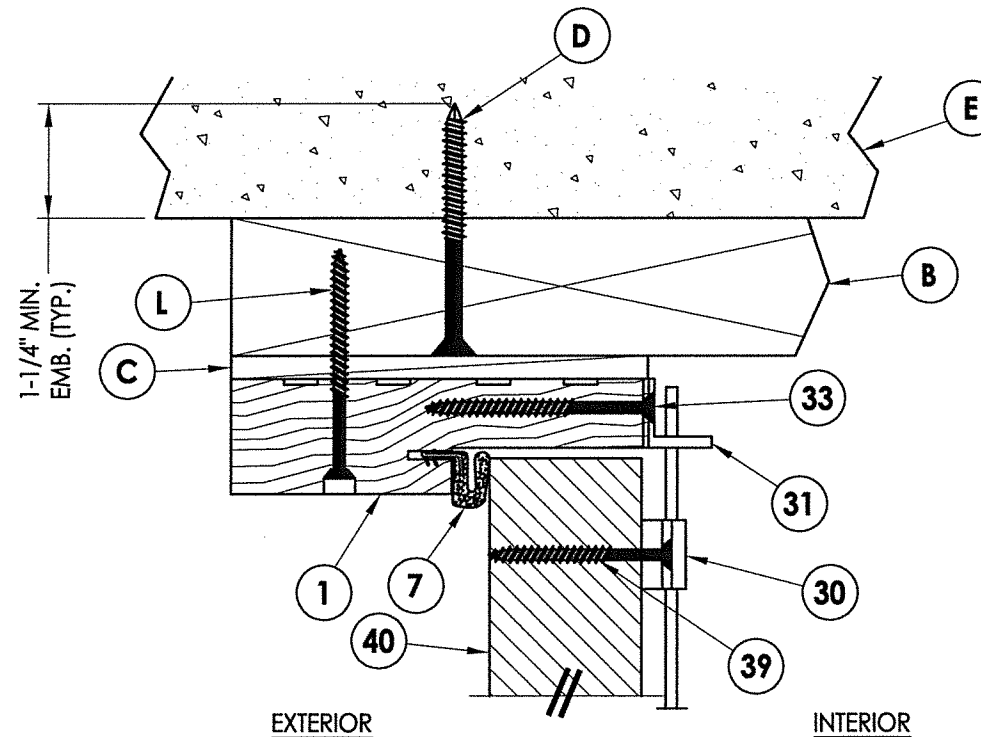
1 HORIZONTAL CROSS SECTION
5 Shown w/ 2X Buck
 Outswing shown (Inswing similar)



2 VERTICAL CROSS SECTION
5 Shown w/ 2X Buck
 Outswing shown

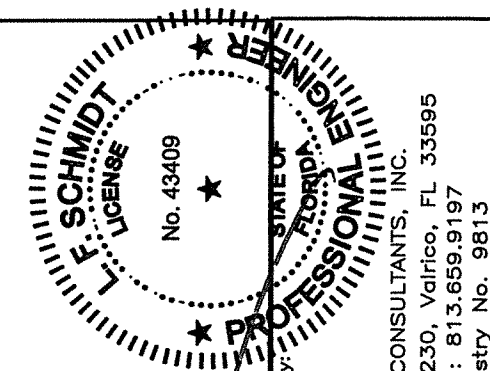


4 HORIZONTAL CROSS SECTION
5 Outswing shown (Inswing similar)



3 VERTICAL CROSS SECTION
5 Shown w/ 2X Buck
 Inswing shown

Note:
 1. Screws located 8" from each end of astragal plus four (3) more located @ 23", 37" & 48" down from the top of the astragal (5 screws total - countersink 3/16").



LFS

June 6, 2022

Documents Prepared By:
 Lyndon F. Schmidt
 P.E. No. 43409

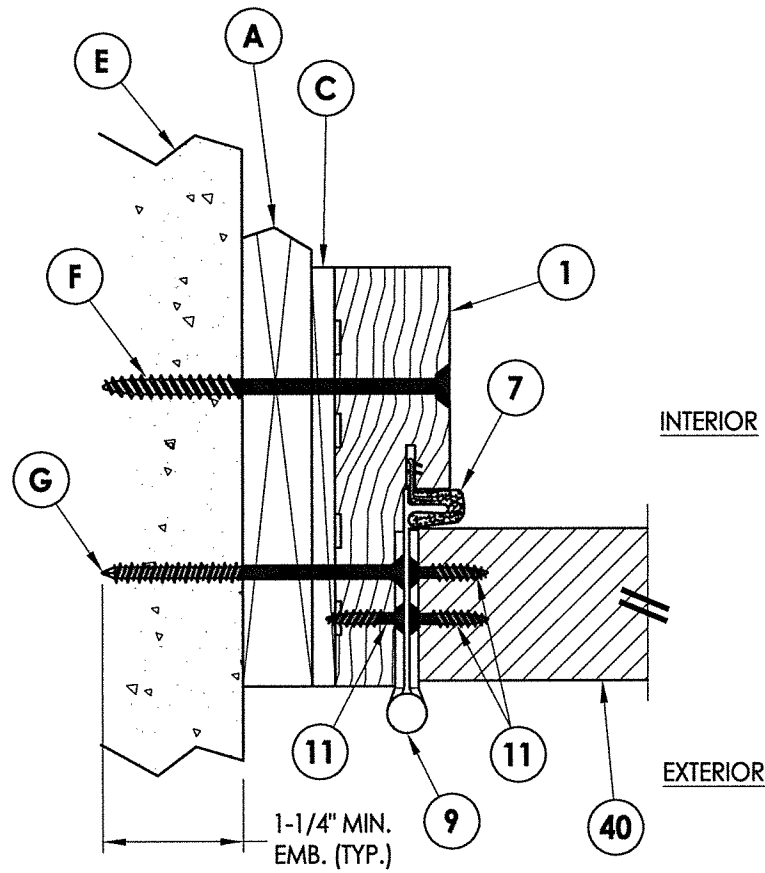
R.W. BUILDING CONSULTANTS, INC.
 P.O. Box 230, Valrico, FL 33595
 Phone No.: 813.659.9197
 FBPE Registry No. 9813

PRODUCT: STEVES & SONS FIBERGLASS DOOR
 PART OR ASSEMBLY: HORIZONTAL & VERTICAL CROSS SECTIONS (2X BUCK)

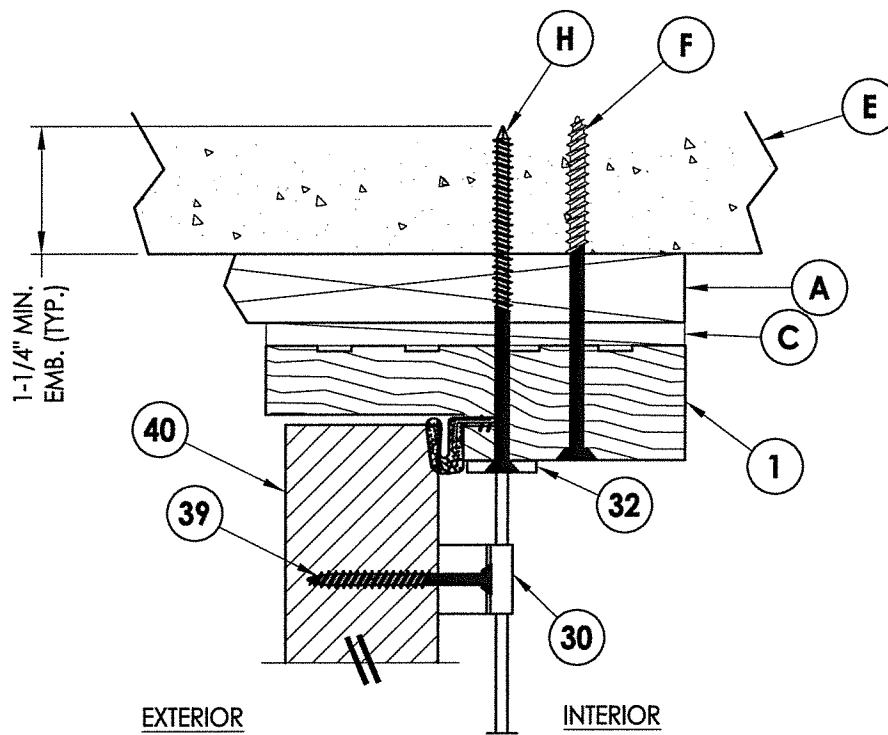
NO.	DATE	BY

DATE: 4/26/22
 SCALE: N.T.S.
 DWG. BY: RW
 CHK. BY: LFS
 DRAWING NO.: FL-41477.4
 SHEET 5 of 10

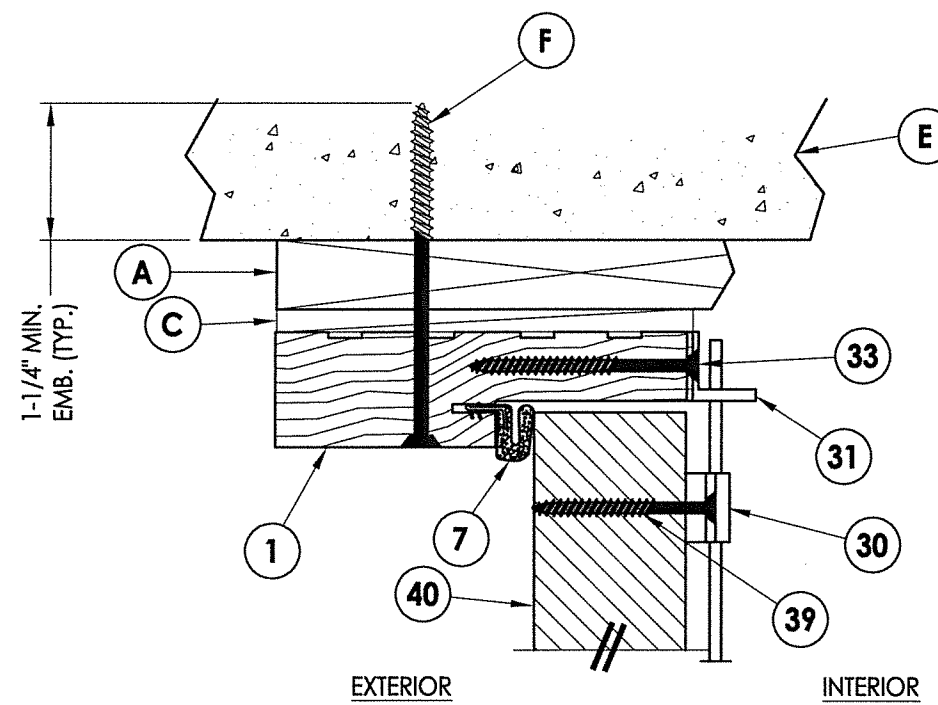
Z:\Clients\Steves and Sons - Permanent\A - Florida Product Approvals\FL-41477 RELIANT SERIES\C - Drawings\FL-41477 (2020)\FL-41477.4.dwg



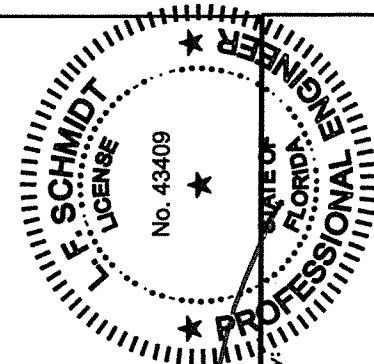
1 HORIZONTAL CROSS SECTION
 6 Shown w/ 1X Buck
 Outswing shown (Inswing similar)



2 VERTICAL CROSS SECTION
 6 Shown w/ 1X Buck
 Outswing shown



3 VERTICAL CROSS SECTION
 6 Shown w/ 1X Buck
 Inswing shown



LFS

June 6, 2022

Documents Prepared By:
 Lyndon F. Schmidt
 P.E. No. 43409

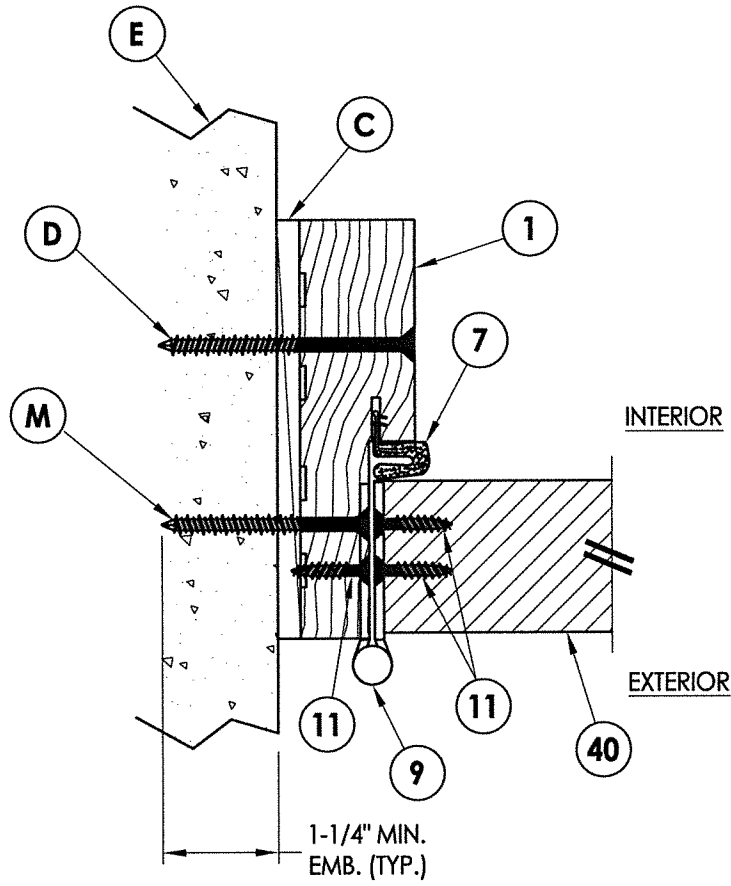
RW BUILDING CONSULTANTS, INC.
 P.O. Box 230, Valrico, FL 33595
 Phone No.: 813.659.9197
 FBPE Registry No. 9813

PRODUCT: STEVES & SONS
 FIBERGLASS DOOR
 PART OR ASSEMBLY: HORIZONTAL & VERTICAL
 CROSS SECTIONS (1X BUCK)

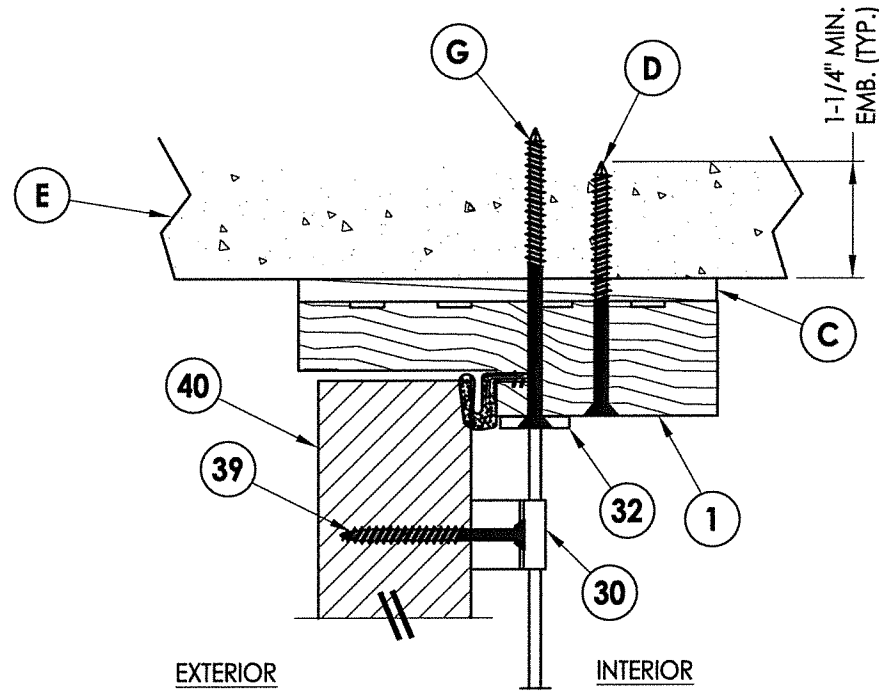
NO.	DATE	BY

DATE: 4/26/22
 SCALE: N.T.S.
 DWG. BY: RW
 CHK. BY: LFS
 DRAWING NO.: FL-41477.4
 SHEET 6 OF 10

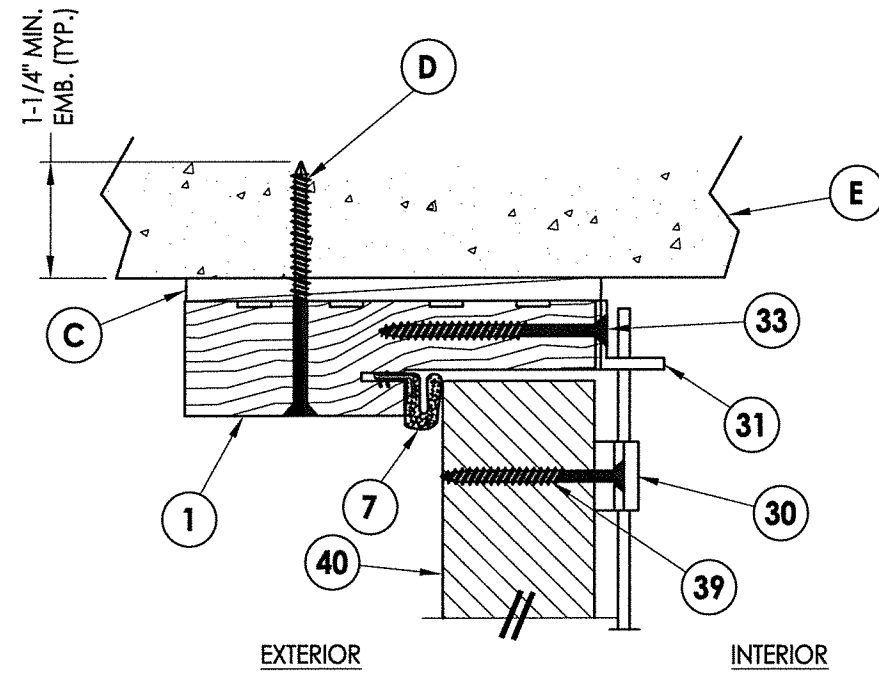
Z:\Clients\Steves and Sons - Permanent\A - Florida Product Approvals\FL-41477 RELIANT SERIES\C - Drawings\FL-41477 (2020)\FL-41477.4.dwg



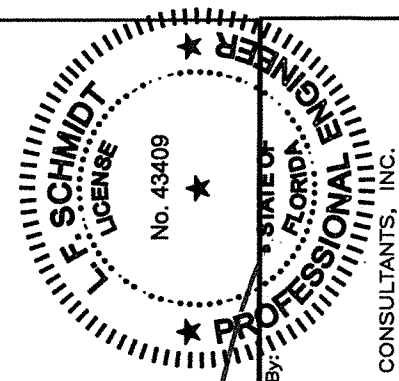
1 HORIZONTAL CROSS SECTION
7 Shown Direct to Masonry
Outswing shown (Inswing similar)



2 VERTICAL CROSS SECTION
7 Shown Direct to Masonry
Outswing shown



3 VERTICAL CROSS SECTION
7 Shown Direct to Masonry
Inswing shown



[Handwritten Signature]

June 6, 2022

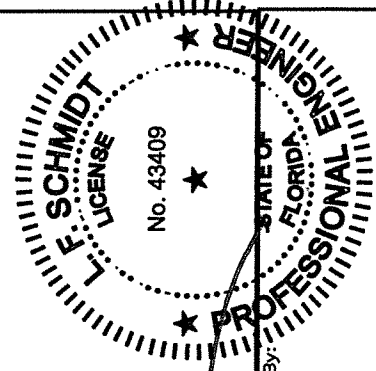
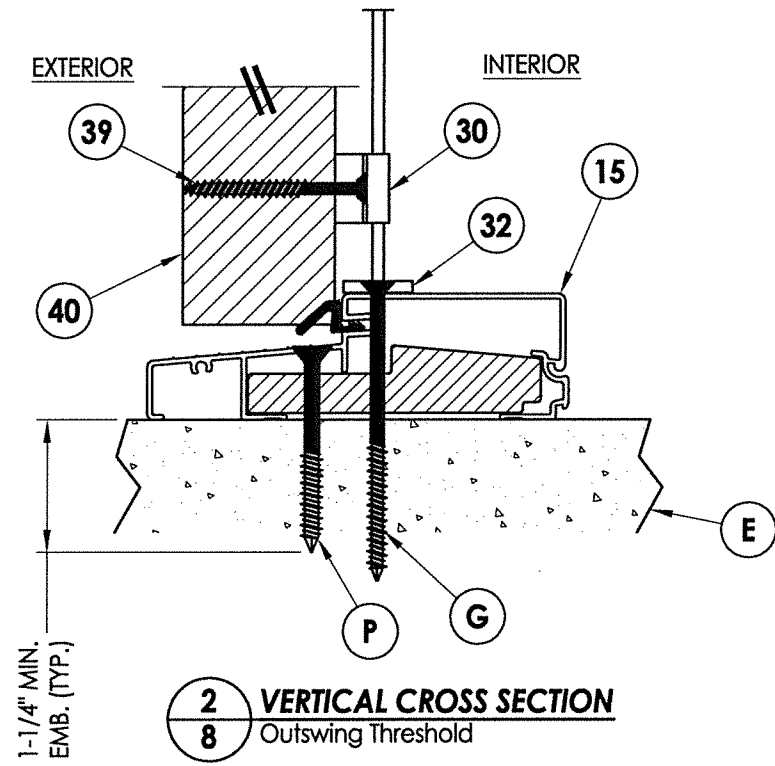
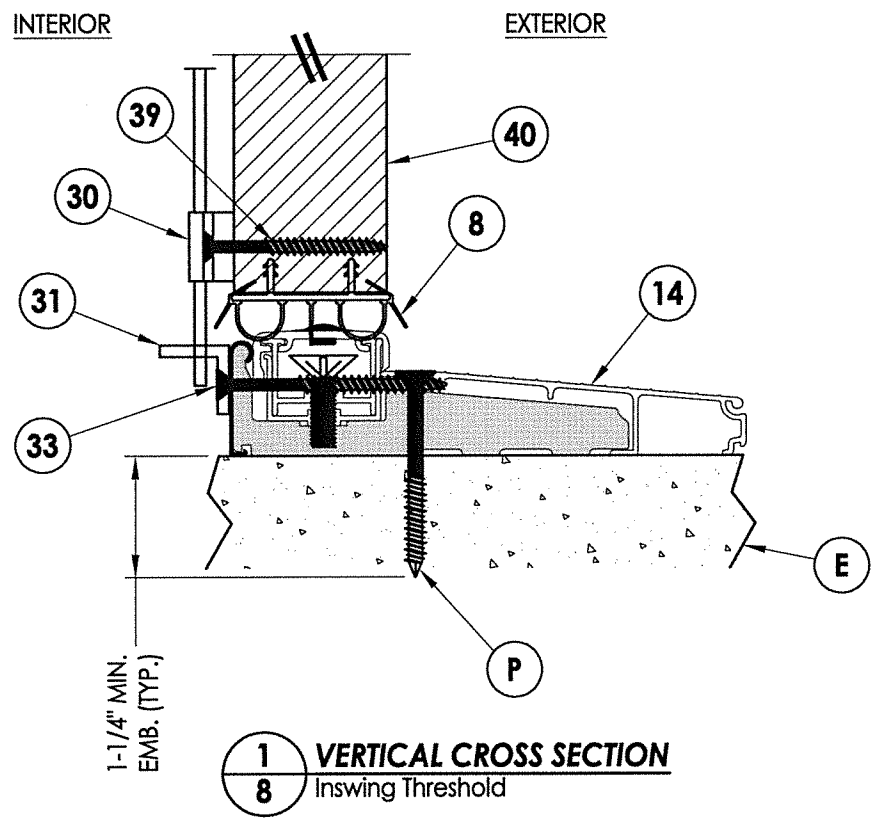
Documents Prepared By:
Lyndon F. Schmidt
P.E. No. 43409

RW
BUILDING CONSULTANTS, INC.
P.O. Box 230, Vairico, FL 33595
Phone No.: 813.659.9197
FBPE Registry No. 9813

PRODUCT:
STEVE'S & SONS
FIBERGLASS DOOR
PART OR ASSEMBLY:
HORIZONTAL & VERTICAL CROSS
SECTIONS (DIRECT TO MASONRY)

NO.	DATE	BY

DATE: 4/26/22
SCALE: N.T.S.
DWG. BY: RW
CHK. BY: LFS
DRAWING NO.: FL-41477.4
SHEET 7 OF 10



June 6, 2022
LFS

Documents Prepared By:
 Lyndon F. Schmidt
 P.E. No. 43409

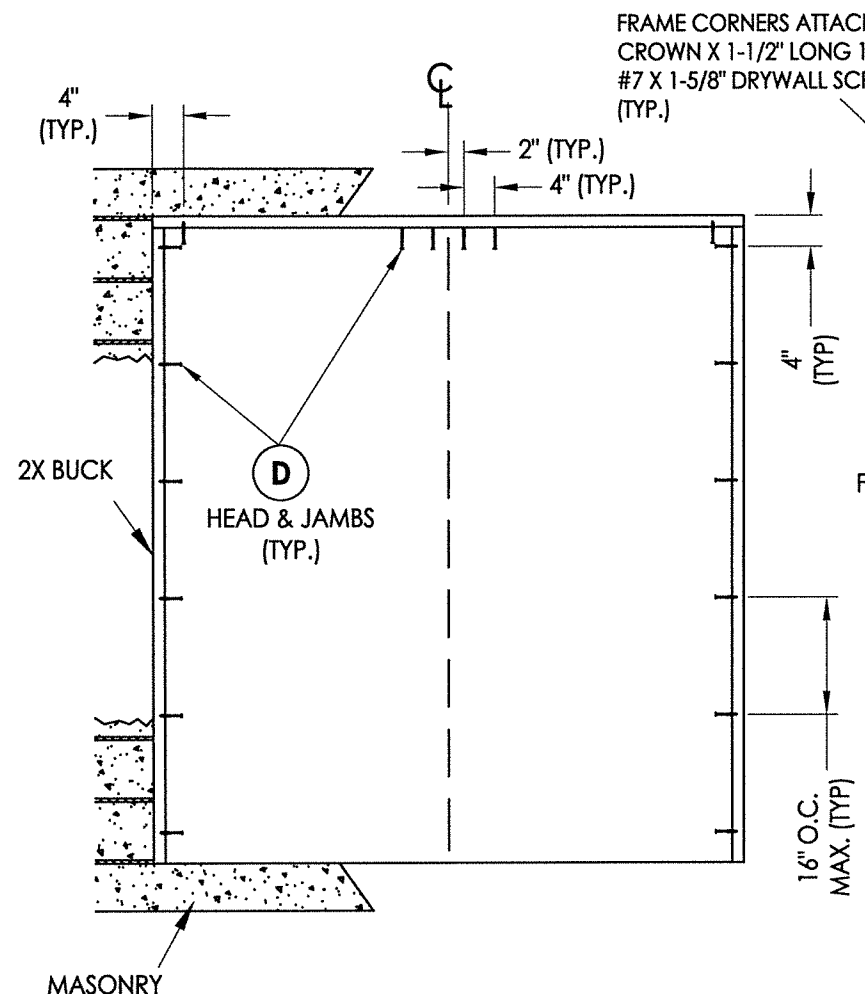
RW
 BUILDING CONSULTANTS, INC.
 P.O. Box 230, Valrico, FL 33595
 Phone No.: 813.659.9197
 FBPE Registry No. 9813

PRODUCT: STEVES & SONS FIBERGLASS DOOR
 PART OR ASSEMBLY: VERTICAL CROSS SECTIONS

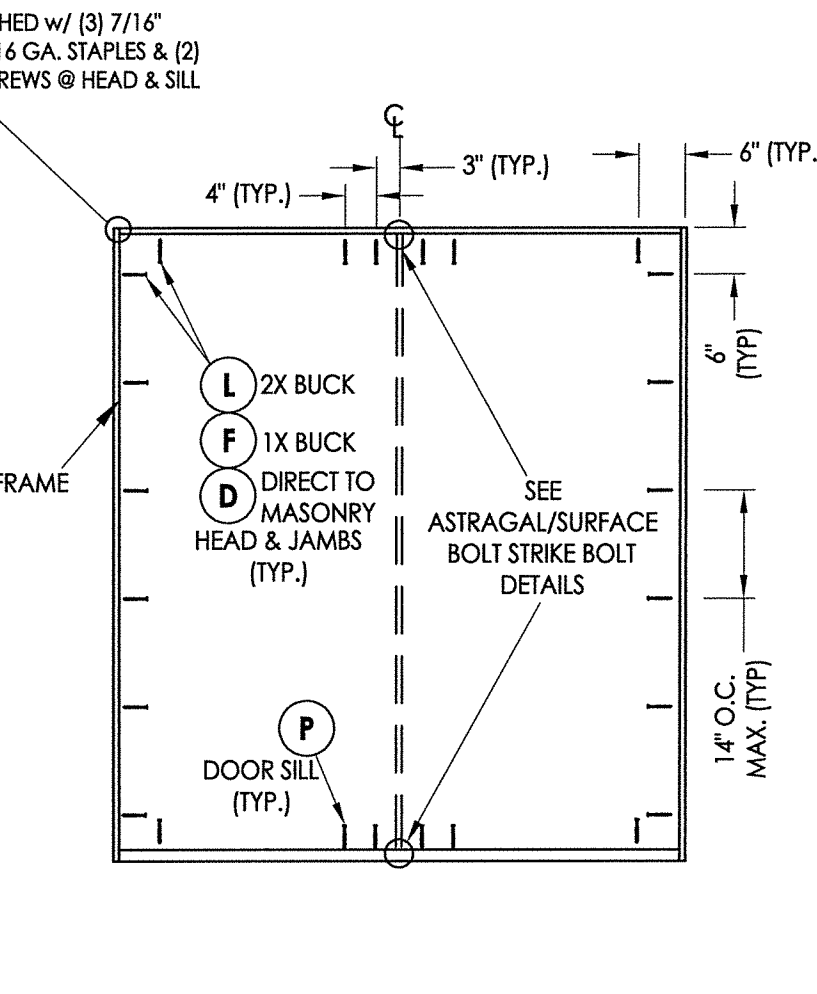
NO.	DATE	BY	REVISIONS

DATE: 4/26/22
 SCALE: N.T.S.
 DWG. BY: RW
 CHK. BY: LFS
 DRAWING NO.: FL-41477.4
 SHEET 8 OF 10

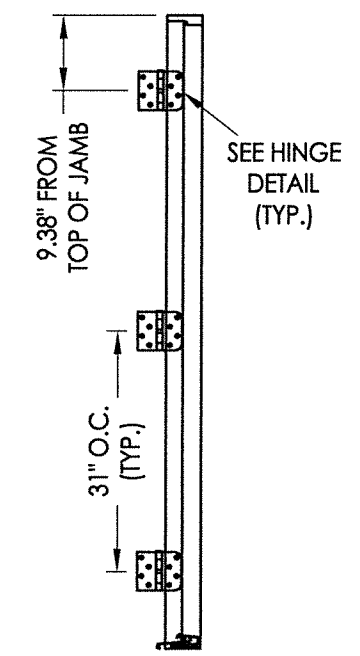
Z:\Clients\Steves and Sons - Permanent\A - Florida Product Approvals\FL-41477 RELIANT SERIES\C - Drawings\FL-41477 (2020)\FL-41477.4.dwg



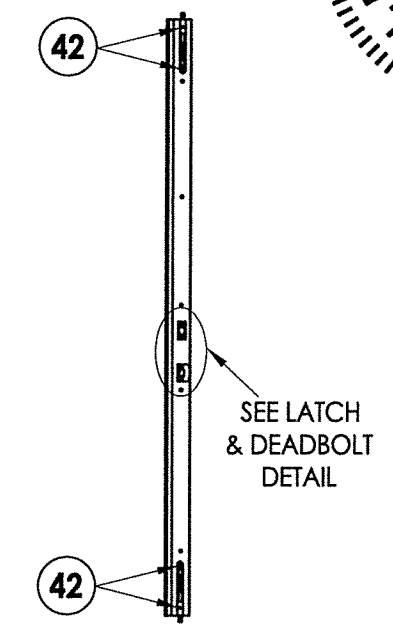
2X BUCK ANCHORING



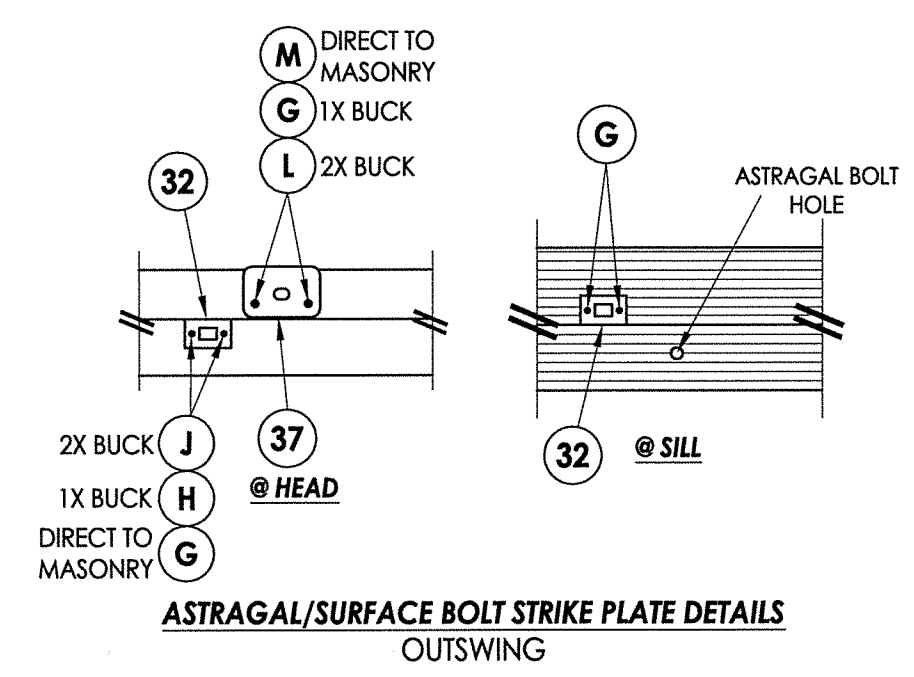
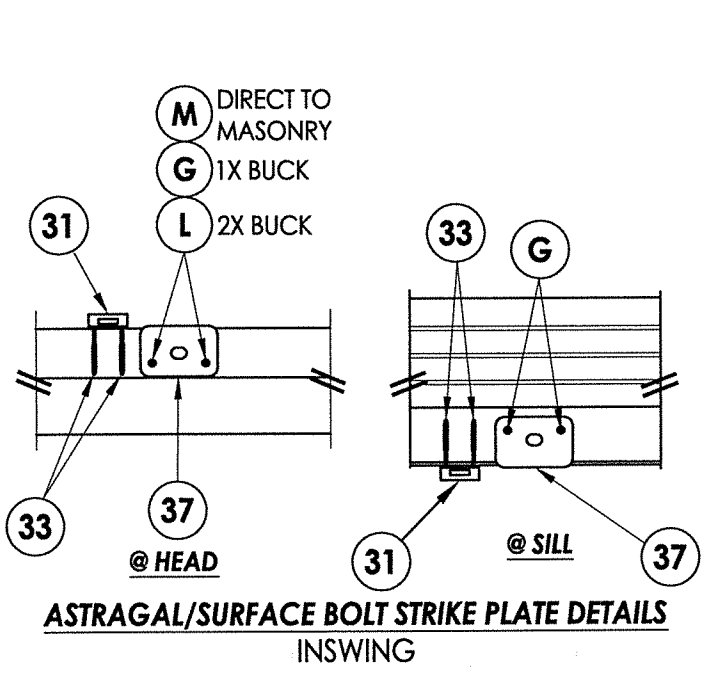
FRAME ANCHORING



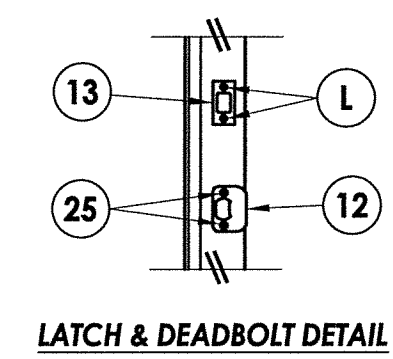
HINGE JAMB



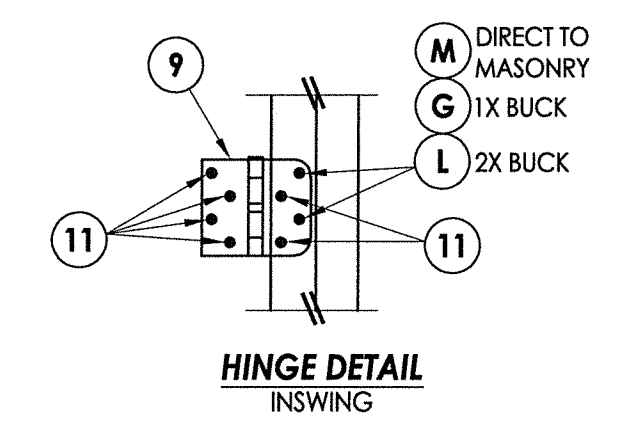
COMPOSITE ASTRAGAL
7" STEEL FLIP LOCK FLUSHBOLT (5/16" Ø)
@ EACH END OF ASTRAGAL



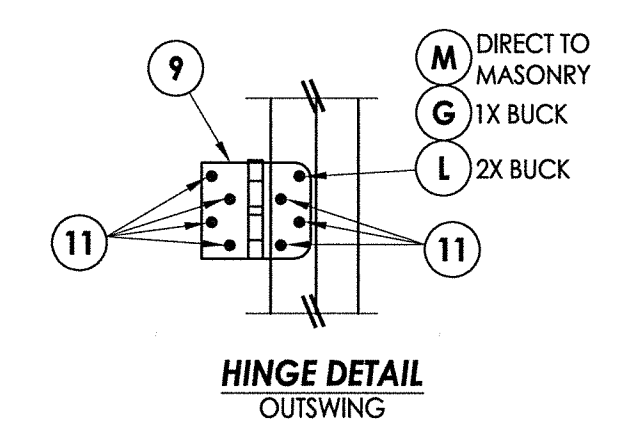
HARDWARE DETAILS



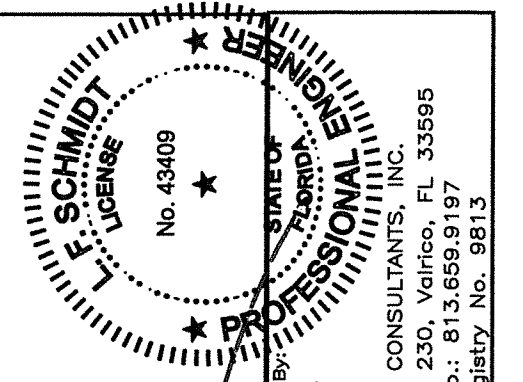
LATCH & DEADBOLT DETAIL



HINGE DETAIL INSWING



HINGE DETAIL OUTSWING



June 6, 2022
Documents Prepared By:
Lyndon F. Schmidt
P.E. No. 43409
R.W. BUILDING CONSULTANTS, INC.
P.O. Box 230, Valrico, FL 33595
Phone No.: 813.659.9197
FBPE Registry No. 9813

PRODUCT:		STEVES & SONS FIBERGLASS DOOR	
PART OR ASSEMBLY:		BUCK & FRAME ANCHORING & HARDWARE DETAILS	
NO.	DATE	BY	REVISIONS
DATE: 4/26/22			
SCALE: N.T.S.			
DWG. BY: RW			
CHK. BY: LFS			
DRAWING NO.: FL-41477.4			
SHEET 9 OF 10			

© 2022 R.W. BUILDING CONSULTANTS INC.

