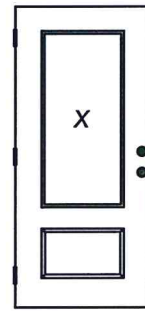
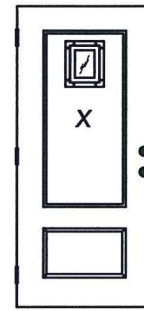


STEVE'S AND SONS

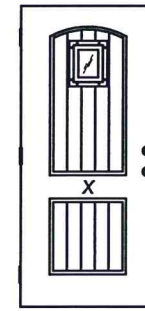
203 Humble Ave.
San Antonio, TX 78225



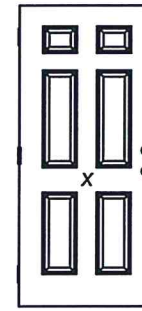
2 PANEL



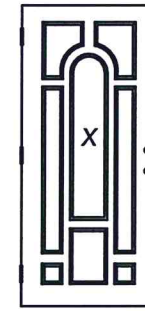
2 PANEL OXFORD
w/ SPEAKEASY



2 PANEL ARCH TOP
PLANK CAVALIER
w/ SPEAKEASY



6 PANEL



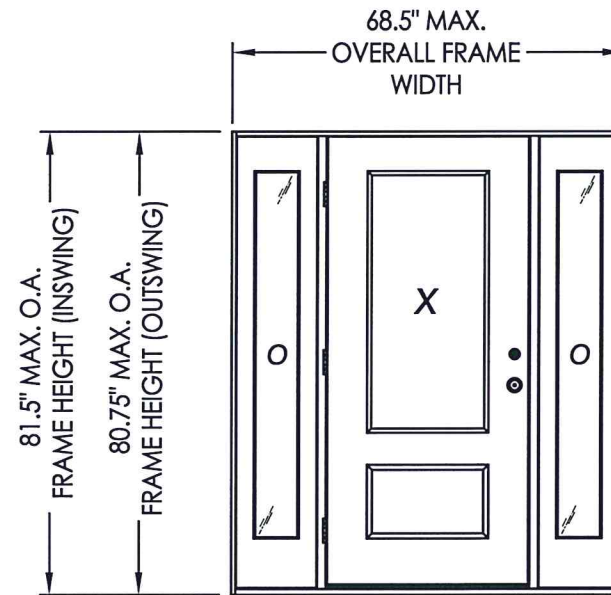
8 PANEL

REGENCY PANEL COLLECTION

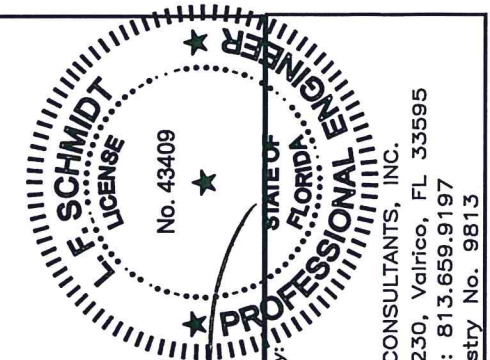
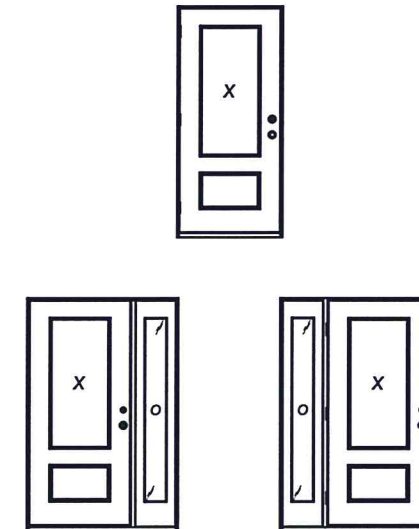
OPAQUE FIBERGLASS DOOR SINGLE w/ or w/out SIDELITE(S) INSWING/OUTSWING "NON-IMPACT"

GENERAL NOTES

1. This product has been evaluated and is in compliance with the 7th Edition (2020) Florida Building Code (FBC) structural requirements excluding the "High Velocity Hurricane Zone" (HVHZ).
2. Product anchors shall be as listed and spaced as shown on details. Anchor embedment to base material shall be beyond wall dressing or stucco.
3. When used in areas requiring wind borne debris protection this product is required to be protected with an impact resistant covering that complies with FBC Sections 1609.1.2 & R301.2.1.2 of the FBC.
4. For 2x stud framing construction, anchoring of these units shall be the same as that shown for 2x buck masonry construction.
5. Site conditions that deviate from the details of this drawing require further engineering analysis by a licensed engineer or registered architect.



CONTINUOUS HEAD & SILL

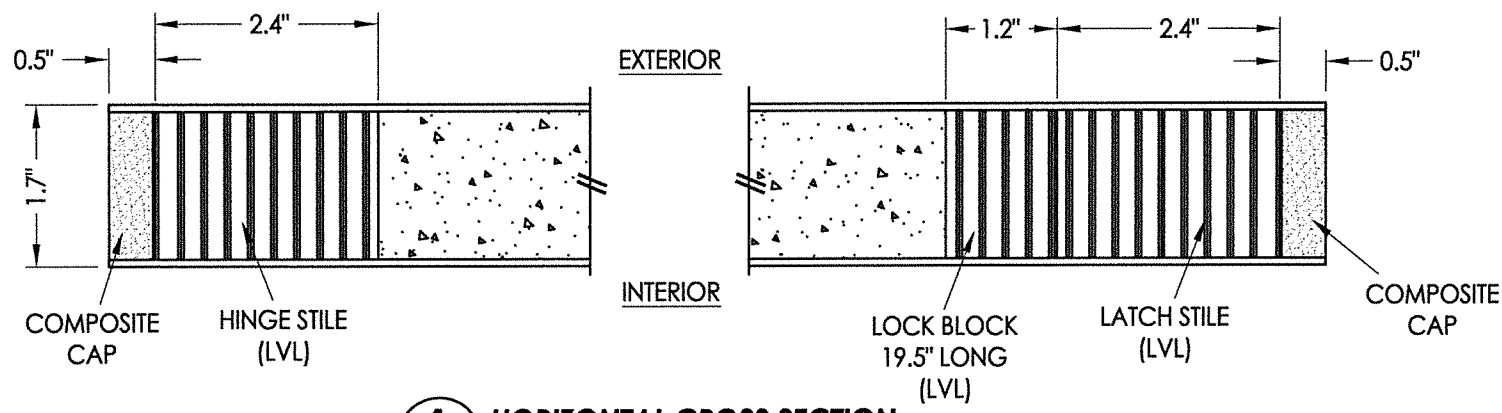


June 7, 2022
 Documents Prepared By:
 Lyndon F. Schmidt
 P.E. No. 43409
 R.W. BUILDING CONSULTANTS, INC.
 P.O. Box 230, Valrico, FL 33595
 Phone No.: 813.659.9197
 FBPE Registry No. 9813

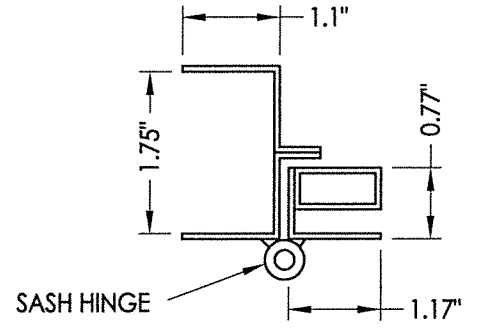
TABLE OF CONTENTS			
SHEET #	DESCRIPTION	SHEET #	
1	Typical Elevations, Design Pressures & General Notes	8	Horizontal & Vertical Cross Sections (1X Buck)
2	Door Panel Details	9	Horizontal & Vertical Cross Sections (Direct to Masonry)
3	Sidelite Panel Details	10	Vertical Cross Sections
4	Door Panel Options	11	Buck Anchoring
5	Elevations	12	Frame Anchoring & Hardware Details
6	Horizontal Cross Sections	13	Bill of Materials & Components
7	Horizontal & Vertical Cross Sections (2X Buck)		

CONFIGURATION	MAX. FRAME DIMENSION	DESIGN PRESSURE (PSF) INSWING		DESIGN PRESSURE (PSF) OUTSWING	
		POSITIVE	NEGATIVE	POSITIVE	NEGATIVE
X	37.5" x 81.5"	+65.0	-65.0	+65.0	-65.0
XO, OX, OXO	68.5" x 81.5"	+45.0	-45.0	+45.0	-45.0

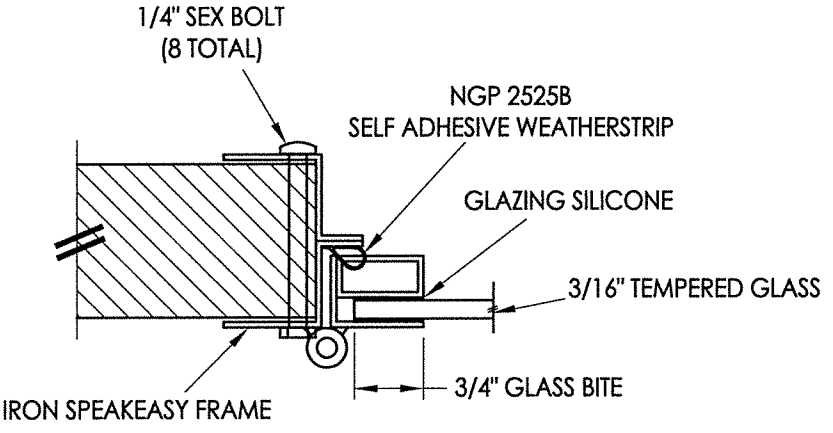
PRODUCT:	STEVE'S & SONS FIBERGLASS DOOR
PART OR ASSEMBLY:	TYPICAL ELEVATION, DESIGN PRESSURES & GENERAL NOTES
NO.	DATE
BY	REVISIONS
DATE:	3/10/22
SCALE:	N.T.S.
DWG. BY:	RW
CHK. BY:	LFS
DRAWING NO.:	FL-41467.3
SHEET	1 OF 13



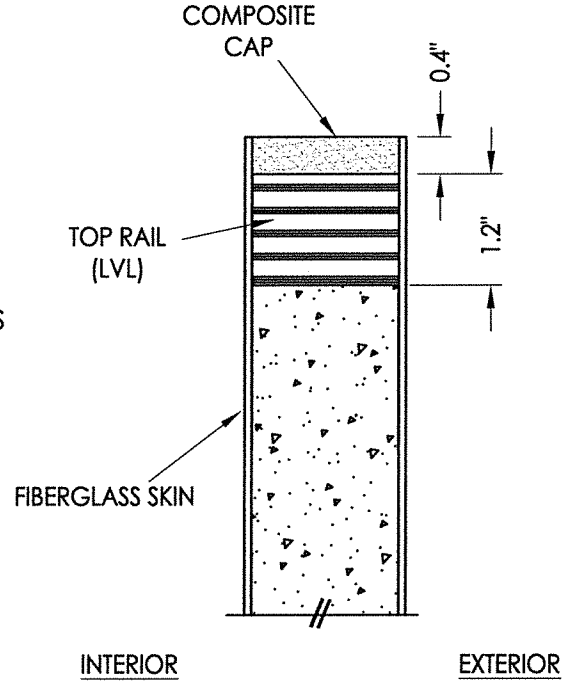
1 HORIZONTAL CROSS SECTION



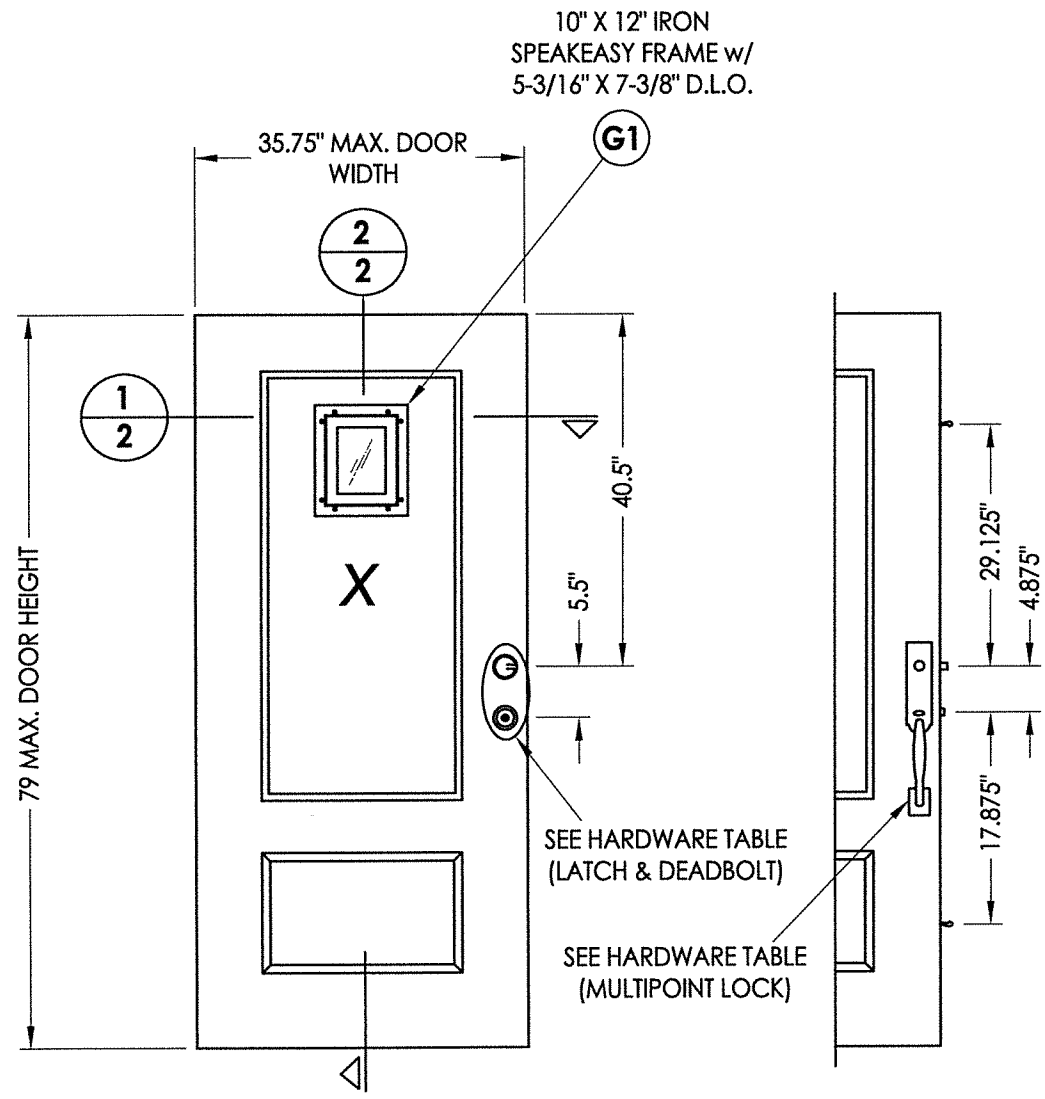
16 GA. IRON SPEAKEASY FRAME



G1 GLAZING DETAIL SPEAKEASY (OPTIONAL)



2 VERTICAL CROSS SECTION



40 FIBERGLASS DOOR PANEL

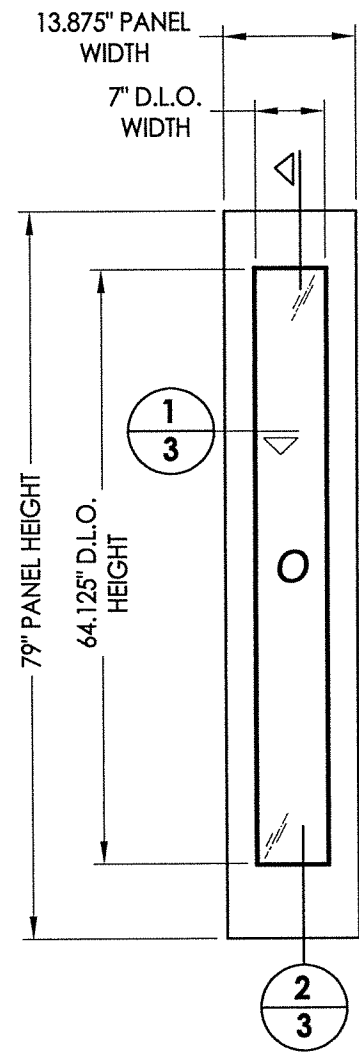
FIBERGLASS SKIN: 0.08" MIN. THK.
FOAM CORE: POLYURETHANE - 1.9 PCF MIN.

HARDWARE TABLE	
MANUFACTURER	MODEL
KWIKSET	LATCH: SIGNATURE SERIES DEADBOLT: SIGNATURE SERIES (980)
SCHLAGE	LATCH: F51 DEADBOLT: B60N
ROCKWELL	LATCH: PREMIUM HANDLESET DEADBOLT: PREMIUM DEADBOLT
ROCKWELL	PREMIUM MULTIPOINT HANDLESET w/ DEADLOCKING TONGUE MULTIPOINT LOCK

Professional Engineer Seal: L.F. SCHMIDT, License No. 43409, State of Florida. Documents Prepared By: Lyndon F. Schmidt, P.E. No. 43409. Date: June 7, 2022. Building Consultants, Inc. P.O. Box 230, Valrico, FL 33595. Phone No.: 813.659.9197. FBPE Registry No. 9813.

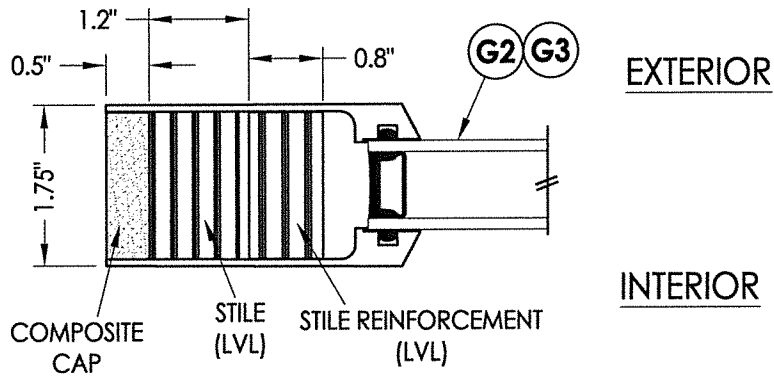
PRODUCT:	STEVE'S & SONS FIBERGLASS DOOR
PART OR ASSEMBLY:	DOOR PANEL DETAILS
NO.	DATE
BY	REVISIONS
DATE:	3/10/22
SCALE:	N.T.S.
DWG. BY:	RW
CHK. BY:	LFS
DRAWING NO.:	FL-41467.3
SHEET	2 OF 13

Z:\Clients\Steves and Sons - Permanent\A - Florida Product Approvals\FL-41467 REGENCY SERIES\C - Drawings\FL-41467 (2020)\FL-41467.3.dwg

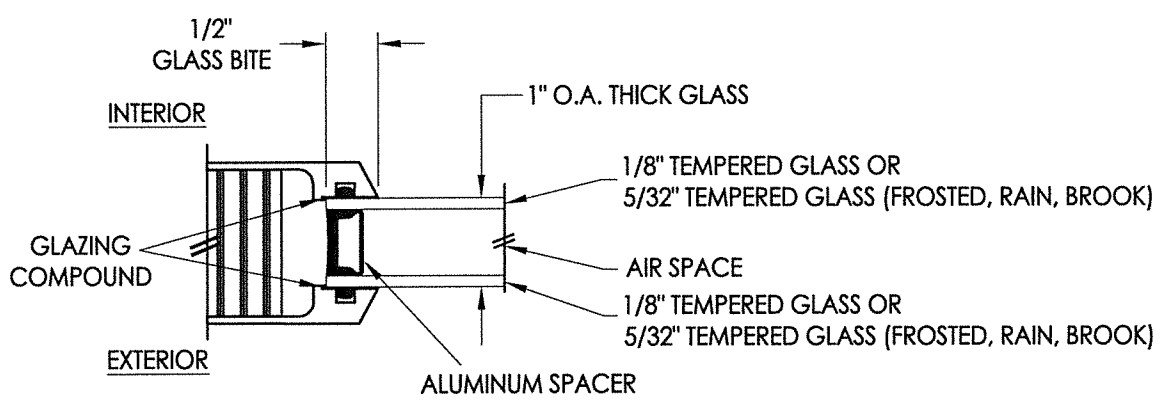


50 FIBERGLASS SIDELITE PANEL

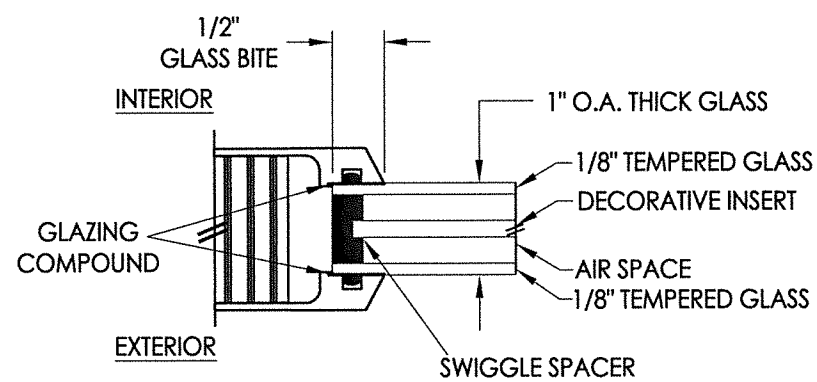
FIBERGLASS SKIN: 0.08" MIN. THK.
 FOAM CORE: POLYURETHANE - 1.9 PCF MIN.)



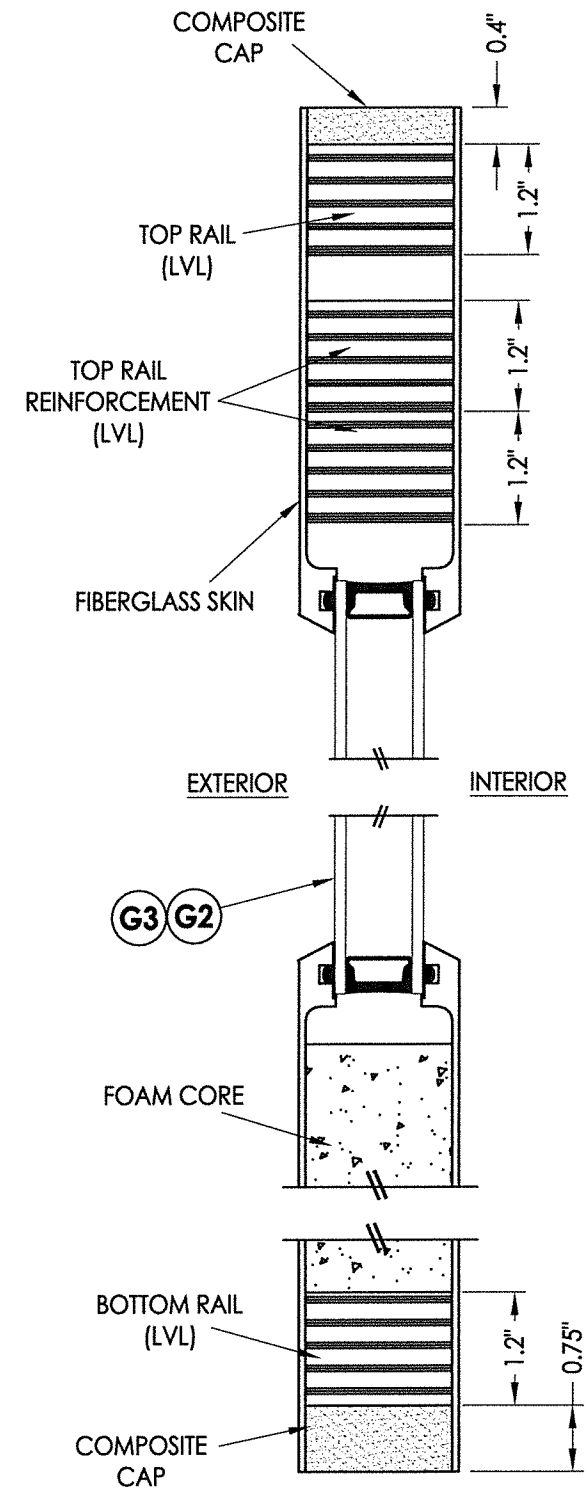
1 HORIZONTAL CROSS SECTION



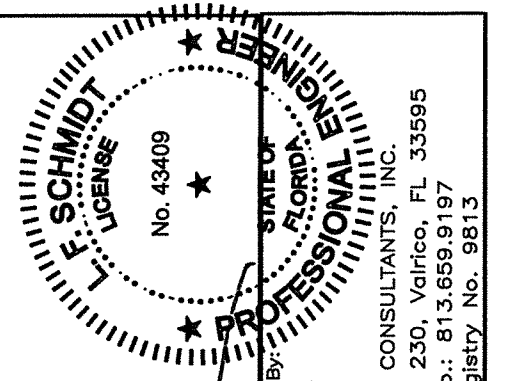
G2 GLAZING DETAIL



G3 GLAZING DETAIL

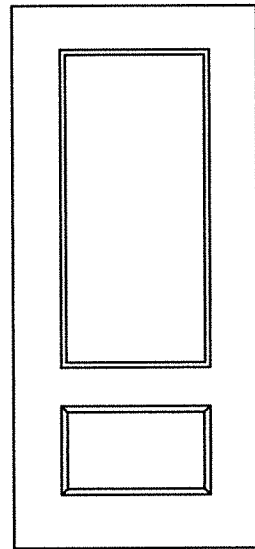


2 VERTICAL CROSS SECTION

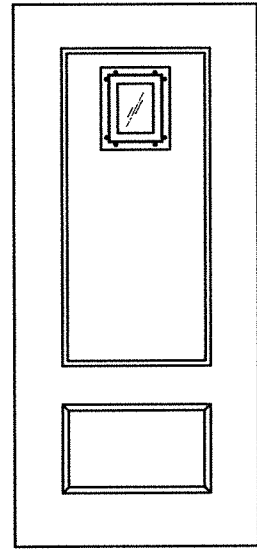


June 7, 2022
 Documents Prepared By:
 Lyndon F. Schmidt
 P.E. No. 43409
 R.W. BUILDING CONSULTANTS, INC.
 P.O. Box 230, Vairco, FL 33595
 Phone No.: 813.659.9197
 FBPE Registry No. 9813

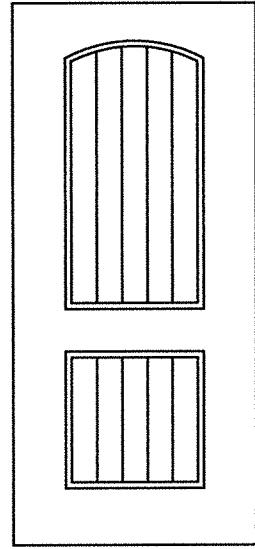
PRODUCT:		STEVES & SONS FIBERGLASS DOOR	
PART OR ASSEMBLY:		SIDELITE PANEL DETAILS	
NO.		DATE	
BY		REVISIONS	
DATE:		3/10/22	
SCALE:		N.T.S.	
DWG. BY:		RW	
CHK. BY:		LFS	
DRAWING NO.:		FL-41467.3	
SHEET		3 OF 13	



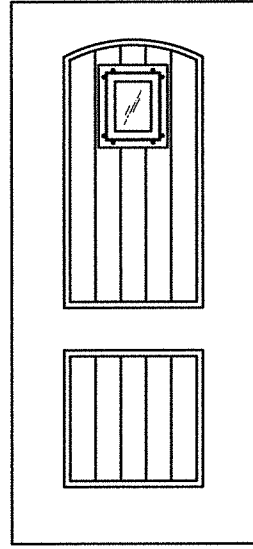
2 PANEL



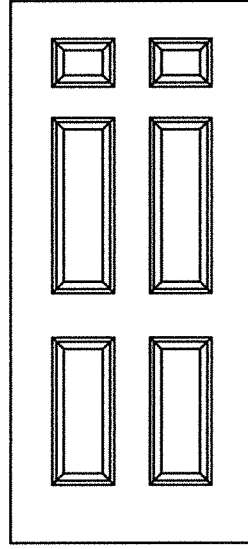
2 PANEL OXFORD
SPEAKEASY



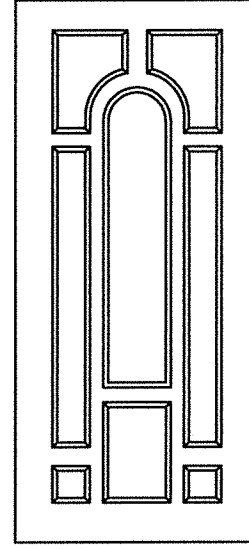
2 PANEL ARCH TOP
PLANK CAVALIER



2 PANEL ARCH TOP
PLANK CAVALIER
SPEAKEASY



6 PANEL



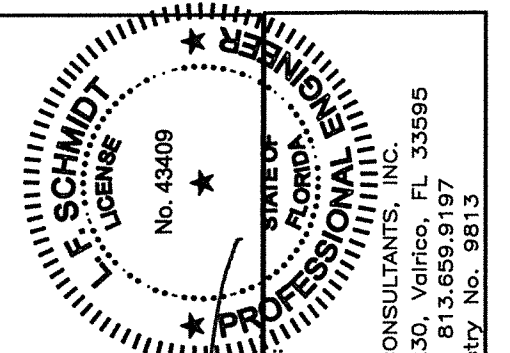
8 PANEL



FULL LITE

REGENCY PANEL COLLECTION

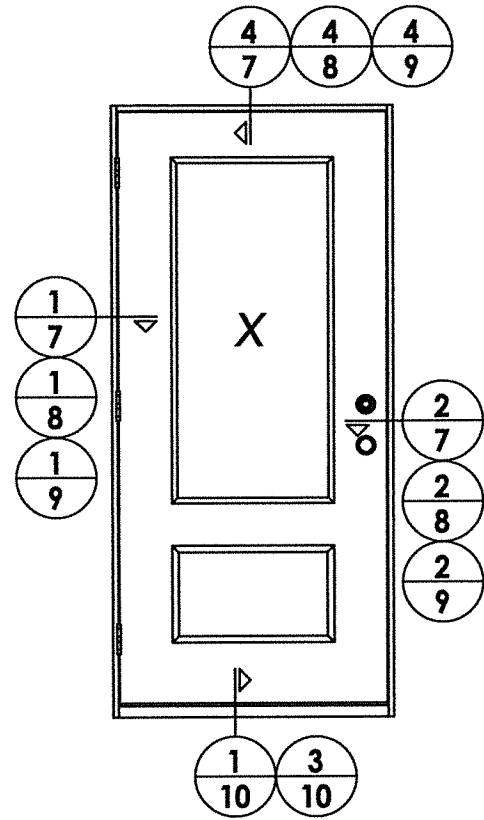
REGENCY SIDELITE



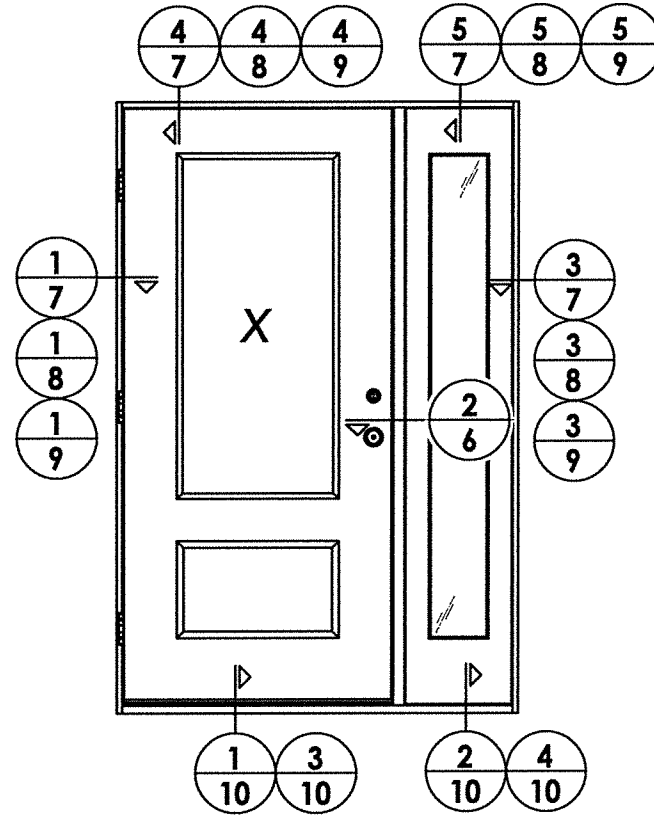
LFS
 June 7, 2022
 Documents Prepared By:
 Lyndon F. Schmidt
 P.E. No. 43409

RW
 BUILDING CONSULTANTS, INC.
 P.O. Box 230, Valrico, FL 33595
 Phone No.: 813.659.9197
 FBPE Registry No. 9813

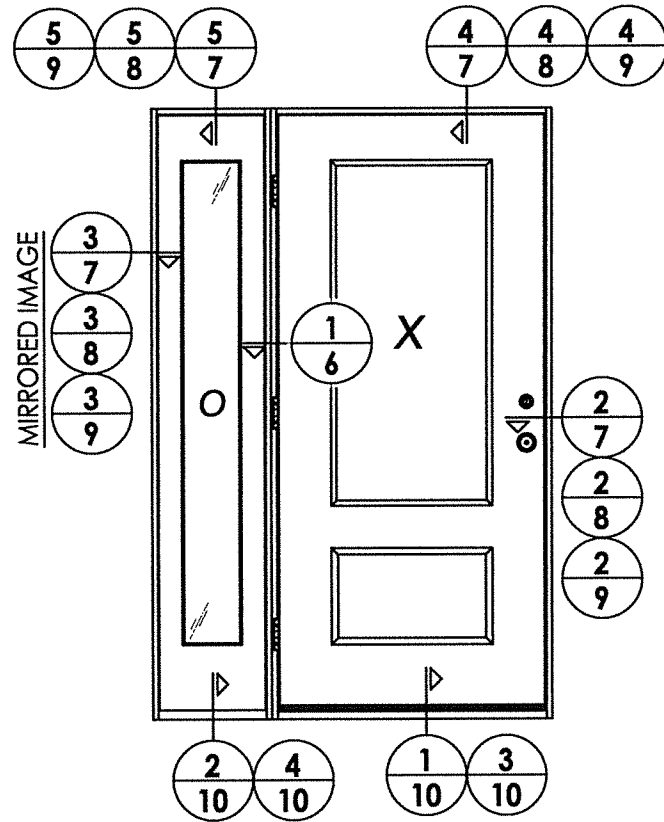
	PRODUCT: STEVES & SONS FIBERGLASS DOOR	
	PART OR ASSEMBLY: DOOR PANEL OPTIONS	
		BY
		NO.
		DATE
REVISIONS		
DATE: 3/10/22		
SCALE: N.T.S.		
DWG. BY: RW		
CHK. BY: LFS		
DRAWING NO.: FL-41467.3		
SHEET 4 OF 13		



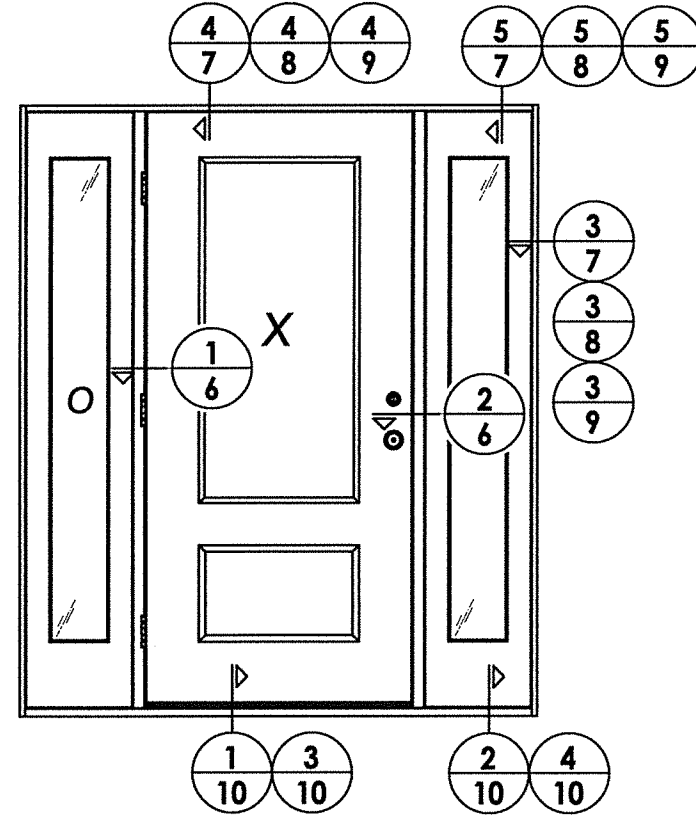
ELEVATION
X



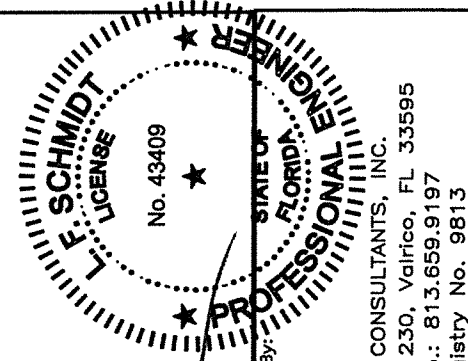
ELEVATION
XO / OX



ELEVATION
OX / XO
(CENTER HINGED)



ELEVATION
OXO



June 7, 2022
 Documents Prepared By:
 Lyndon F. Schmidt
 P.E. No. 43409

STEVE'S & SONS
 FIBERGLASS DOOR

PART OR ASSEMBLY:
 ELEVATIONS

STEVE'S & SONS
 FIBERGLASS DOOR

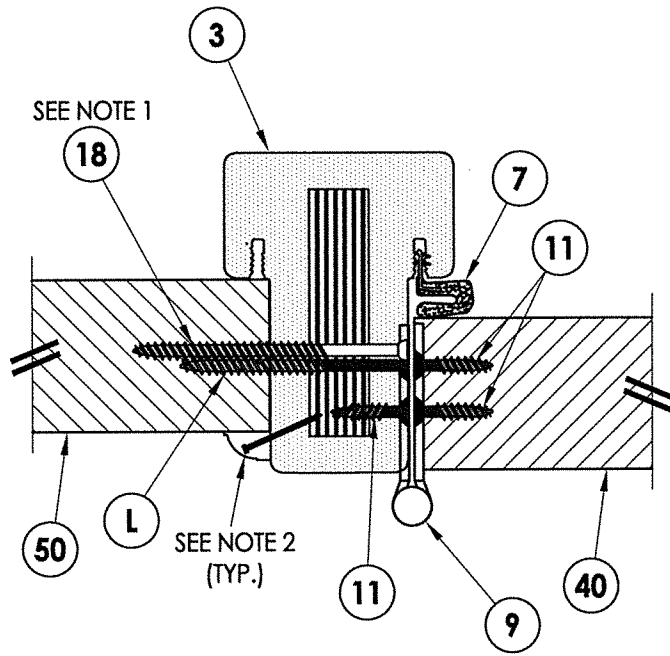
NO.	DATE	REVISIONS	BY

DATE: 3/10/22
 SCALE: N.T.S.
 DWG. BY: RW
 CHK. BY: LFS
 DRAWING NO.: FL-41467.3
 SHEET 5 OF 13

PROFESSIONAL ENGINEER
 L.F. SCHMIDT
 No. 43409
 STATE OF FLORIDA
 BUILDING CONSULTANTS, INC.
 P.O. Box 230, Valrico, FL 33595
 Phone No.: 813.659.9197
 FBPE Registry No. 9813

NOTES:

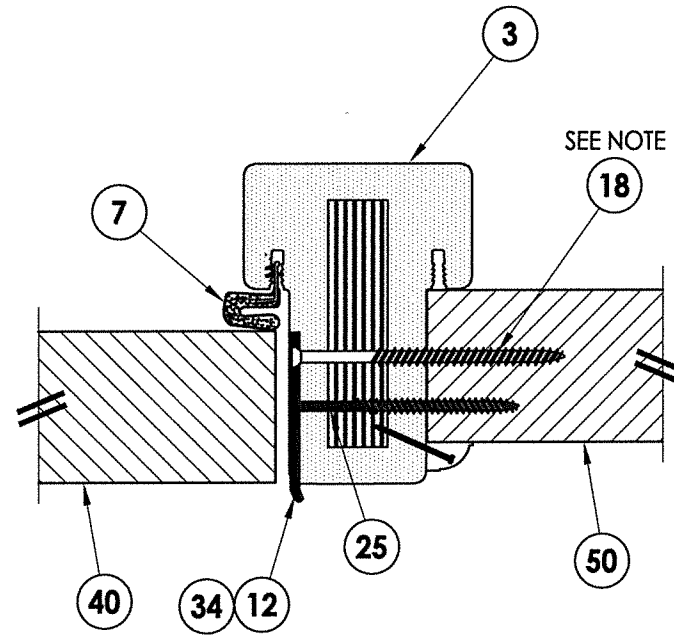
1. Sidelite assembly screws located @ 3" & 19" from each end of mullion (4 total).
2. Moulding secured w/ 16 GA. X 1" brad nails located 1" from ends & 6" o.c. max.



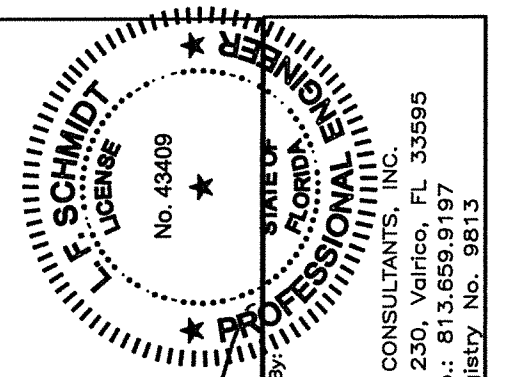
1
6 **HORIZONTAL CROSS SECTION**
Outswing shown (Inswing similar)

INTERIOR

EXTERIOR



2
6 **HORIZONTAL CROSS SECTION**
Outswing shown (Inswing similar)



F. Schmidt

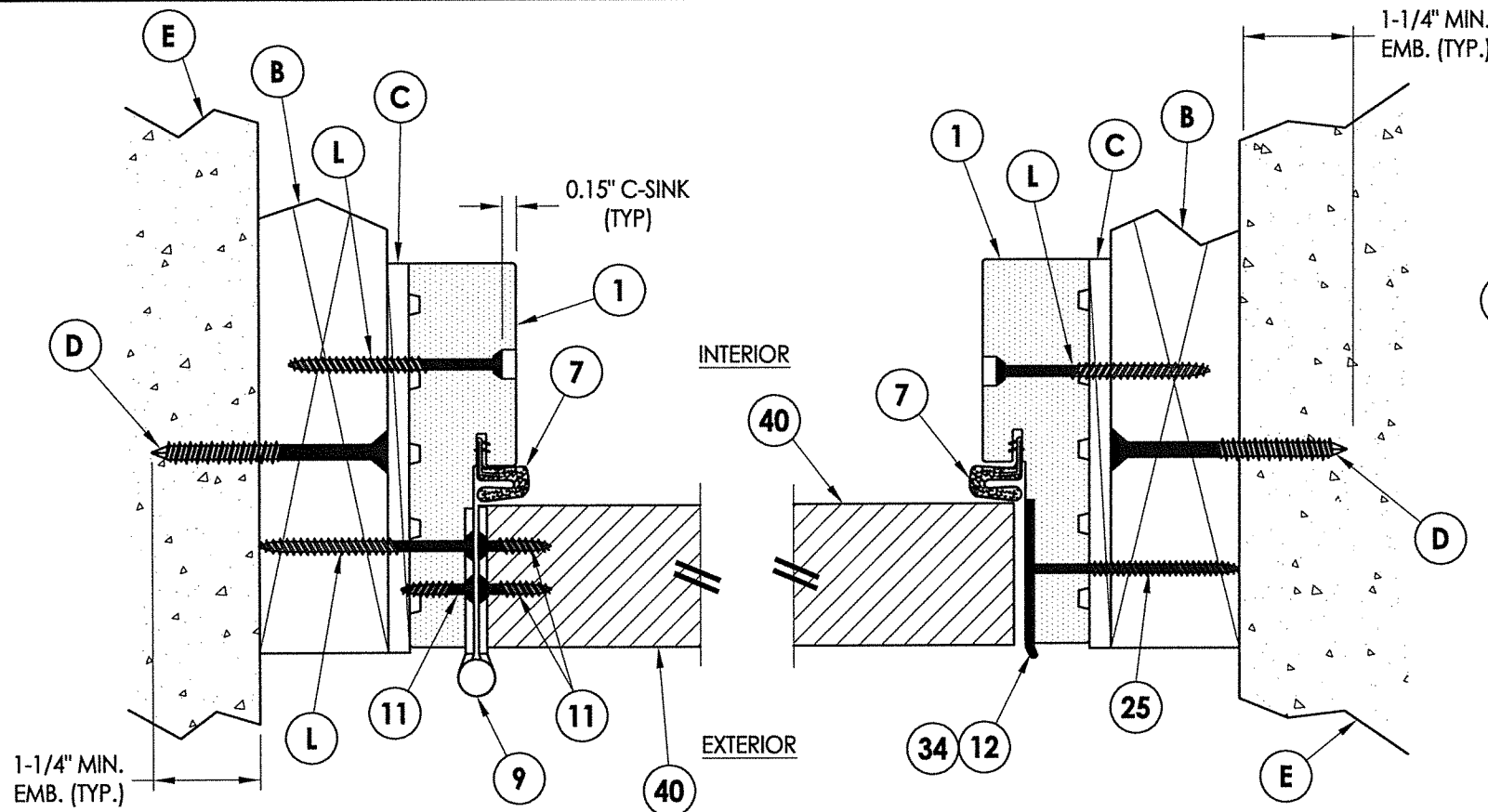
June 7, 2022

Documents Prepared By:
Lyndon F. Schmidt
P.E. No. 43409

RW
BUILDING CONSULTANTS, INC.
P.O. Box 230, Valrico, FL 33595
Phone No.: 813.659.9197
FBPE Registry No. 9813

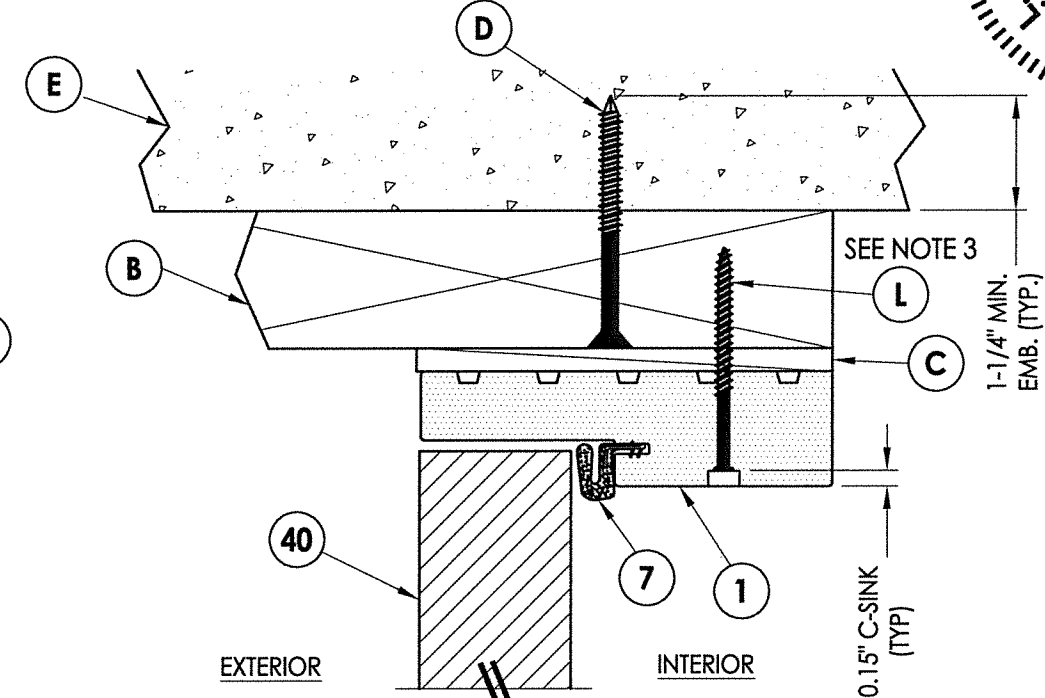
PRODUCT: STEVES & SONS FIBERGLASS DOOR		PART OR ASSEMBLY: HORIZONTAL CROSS SECTIONS	
NO.	DATE	BY	REVISIONS
DATE: 3/10/22		SCALE: N.T.S.	
DWG. BY: RW		CHK. BY: LFS	
DRAWING NO.: FL-41467.3			
SHEET 6 OF 13			

Z:\Clients\Steves and Sons - Permanent\A - Florida Product Approvals\FL-41467 REGENCY SERIES\C - Drawings\FL-41467 (2020)\FL-41467.3.dwg



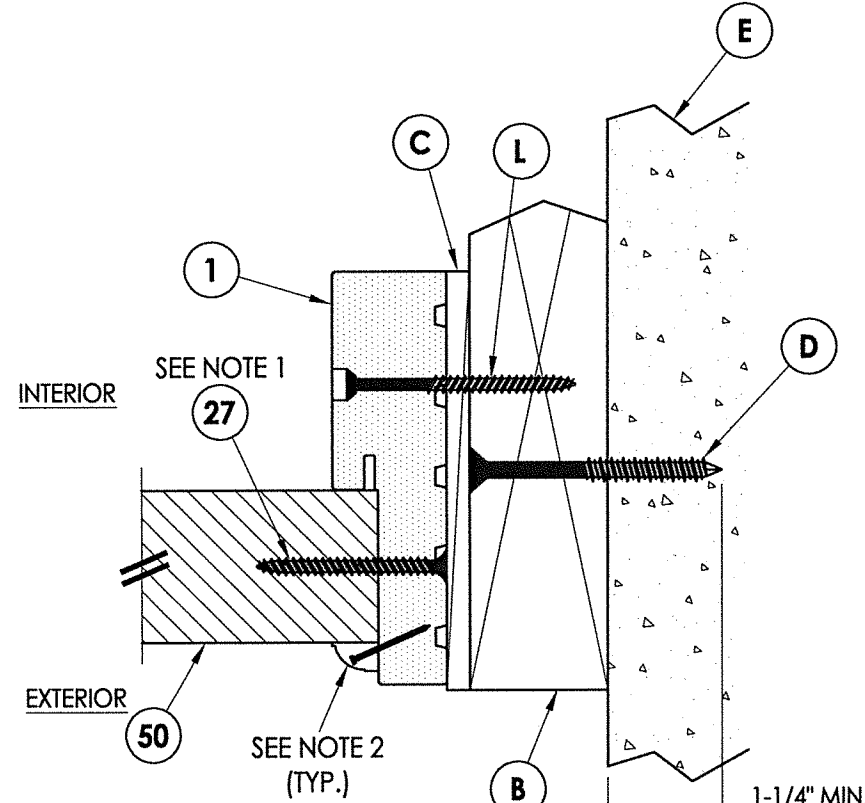
1 HORIZONTAL CROSS SECTION
7 Shown w/ 2X Buck
Outswing shown (Inswing similar)

2 HORIZONTAL CROSS SECTION
7 Shown w/ 2X Buck
Outswing shown (Inswing similar)



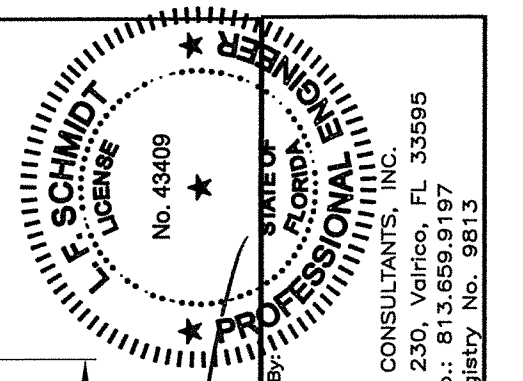
4 VERTICAL CROSS SECTION
7 Shown w/ 2X Buck
Outswing shown (Inswing similar)

5 VERTICAL CROSS SECTION
7 Shown w/ 2X Buck
Outswing shown (Inswing similar)



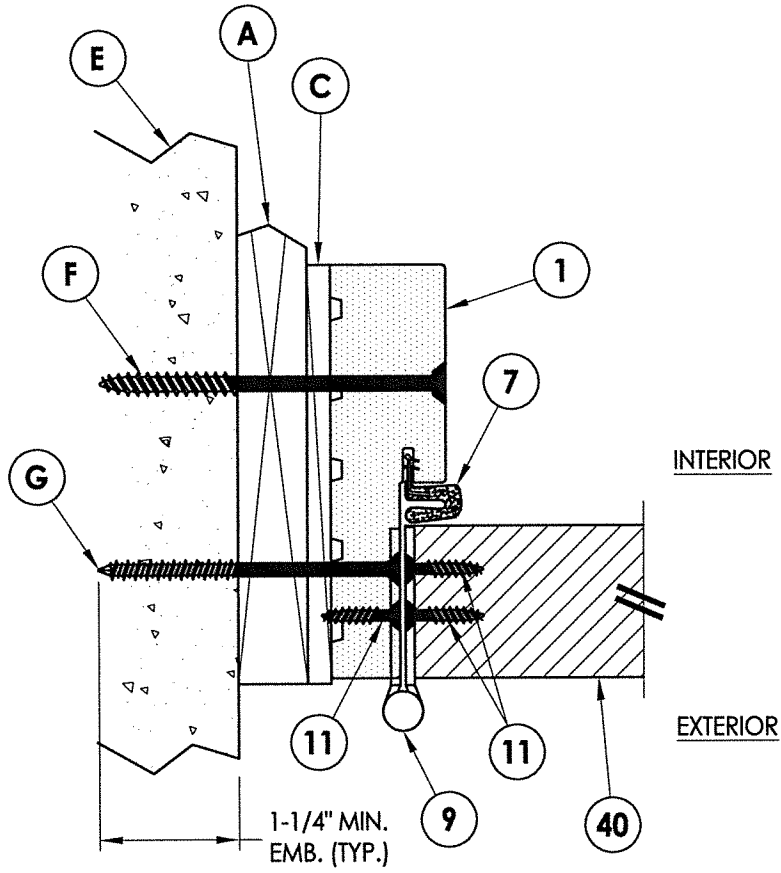
3 HORIZONTAL CROSS SECTION
7 Shown w/ 2X Buck
Outswing shown (Inswing similar)

- NOTES:
- Sidelite assembly screws located 4" from each end plus 4 more equally spaced along jamb (6 total).
 - Moulding secured w/ 16 GA. X 1" brad nails located 1" from ends & 6" o.c. max.
 - Anchor @ head is not required for single door (X) only.

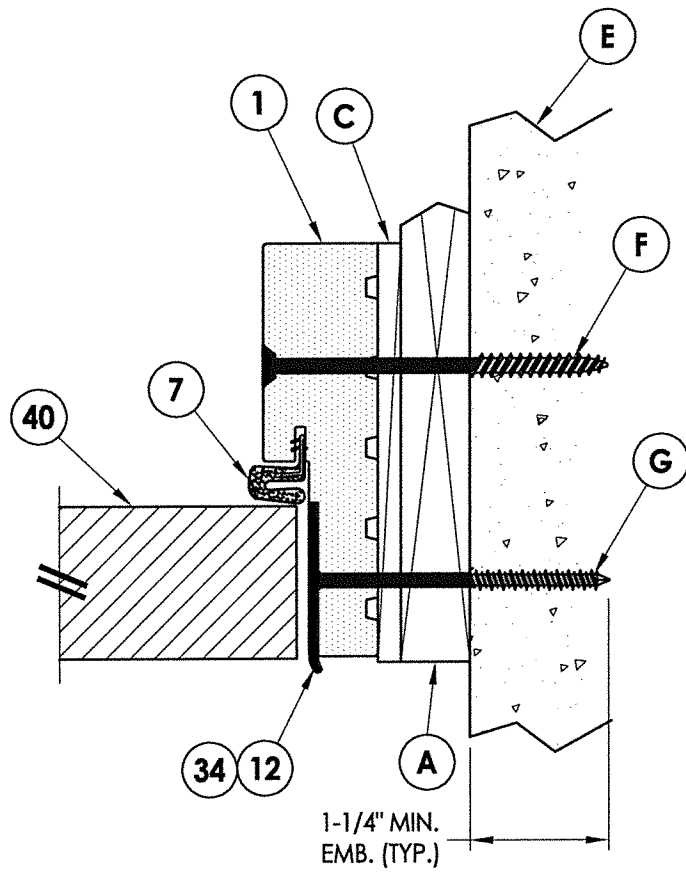


June 7, 2022
 Documents Prepared By:
 Lyndon F. Schmidt
 P.E. No. 43409
 RW BUILDING CONSULTANTS, INC.
 P.O. Box 230, Valrico, FL 33595
 Phone No.: 813.659.9197
 FBPE Registry No. 9813

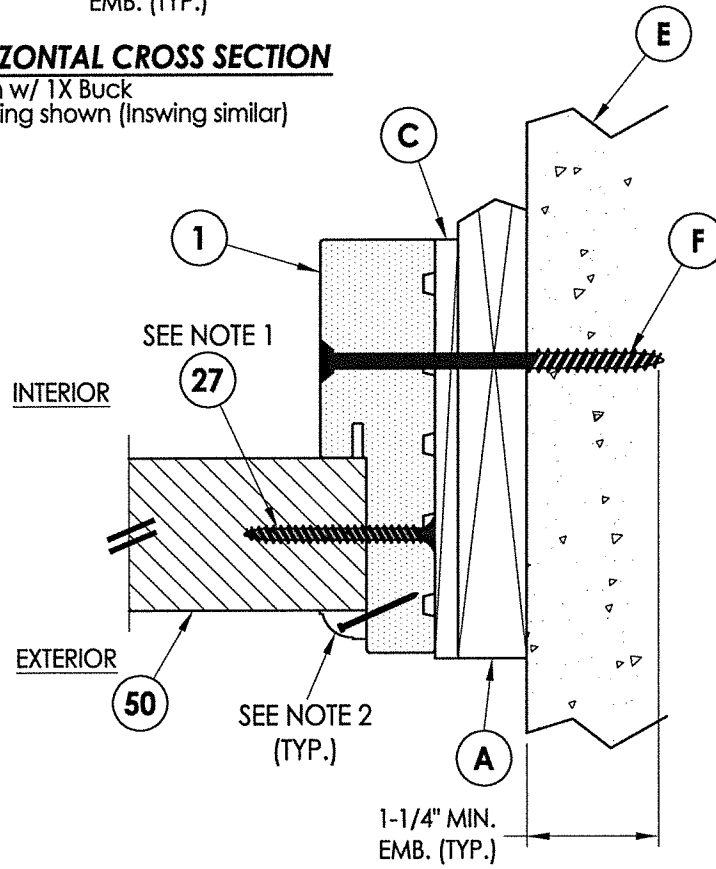
PRODUCT:		STEVES & SONS FIBERGLASS DOOR
PART OR ASSEMBLY:		HORIZONTAL & VERTICAL CROSS SECTIONS (2X BUCK)
NO.	DATE	BY
REVISIONS		
DATE: 3/10/22		
SCALE: N.T.S.		
DWG. BY: RW		
CHK. BY: LFS		
DRAWING NO.: FL-41467.3		
SHEET 7 OF 13		



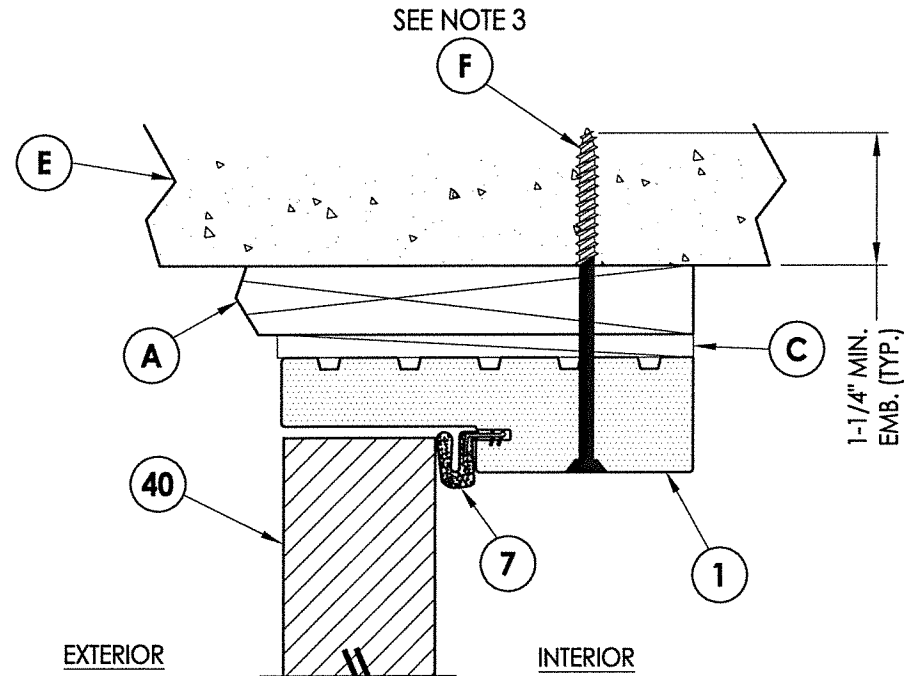
1
8 **HORIZONTAL CROSS SECTION**
Shown w/ 1X Buck
Outswing shown (Inswing similar)



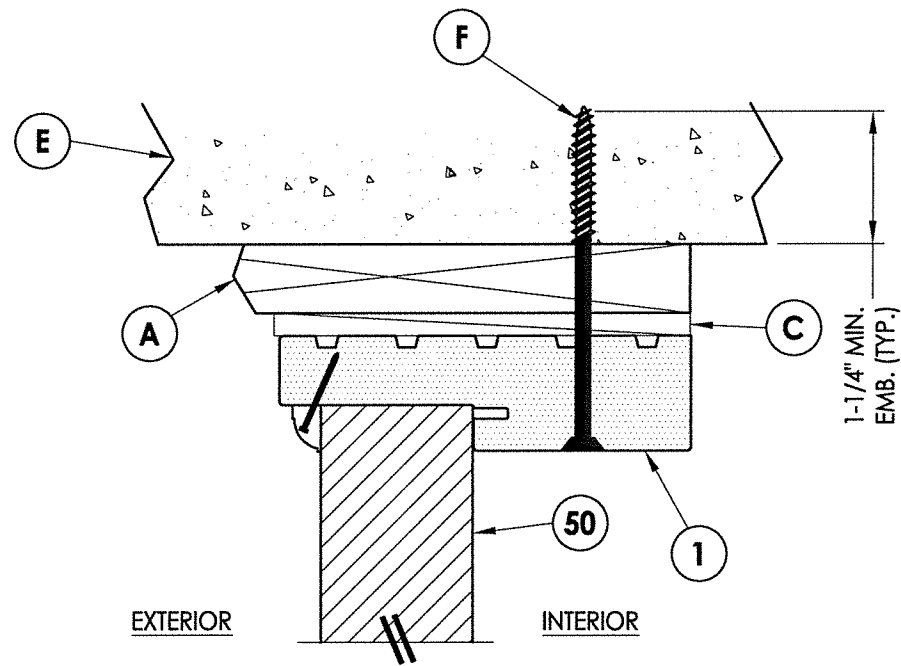
2
8 **HORIZONTAL CROSS SECTION**
Shown w/ 1X Buck
Outswing shown (Inswing similar)



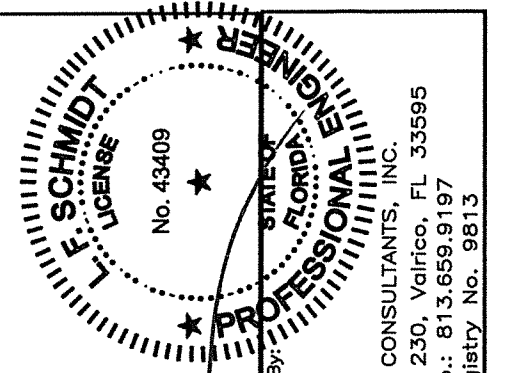
3
8 **HORIZONTAL CROSS SECTION**
Shown w/ 1X Buck
Outswing shown (Inswing similar)



4
8 **VERTICAL CROSS SECTION**
Shown w/ 1X Buck
Outswing shown (Inswing similar)



5
8 **VERTICAL CROSS SECTION**
Shown w/ 1X Buck
Outswing shown (Inswing similar)



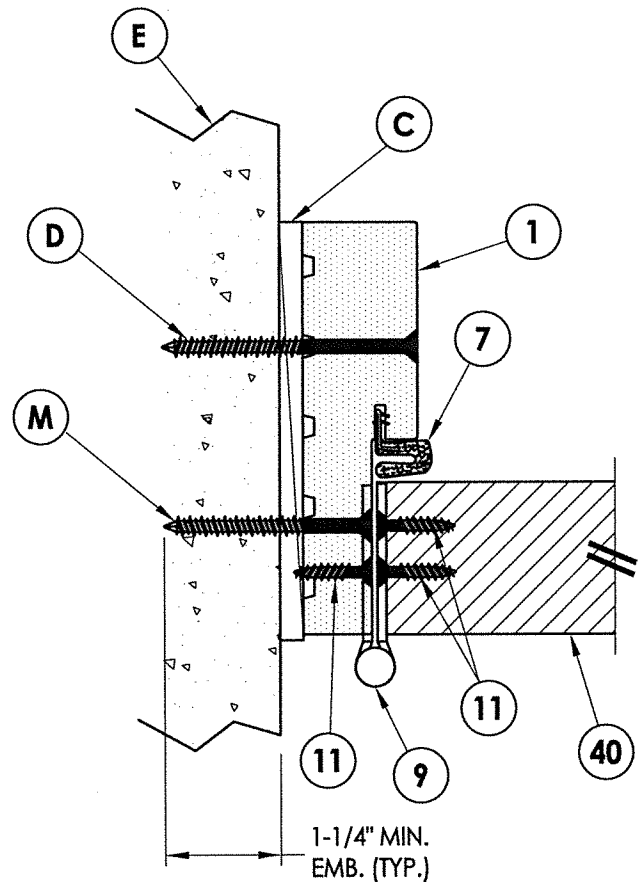
June 7, 2022
 Documents Prepared By:
 Lyndon F. Schmidt
 P.E. No. 43409
 R.W.
 BUILDING CONSULTANTS, INC.
 P.O. Box 230, Valrico, FL 33595
 Phone No.: 813.659.9197
 FBPE Registry No. 9813

PRODUCT: STEVES & SONS FIBERGLASS DOOR
 PART OR ASSEMBLY: HORIZONTAL & VERTICAL CROSS SECTIONS (1X BUCK)

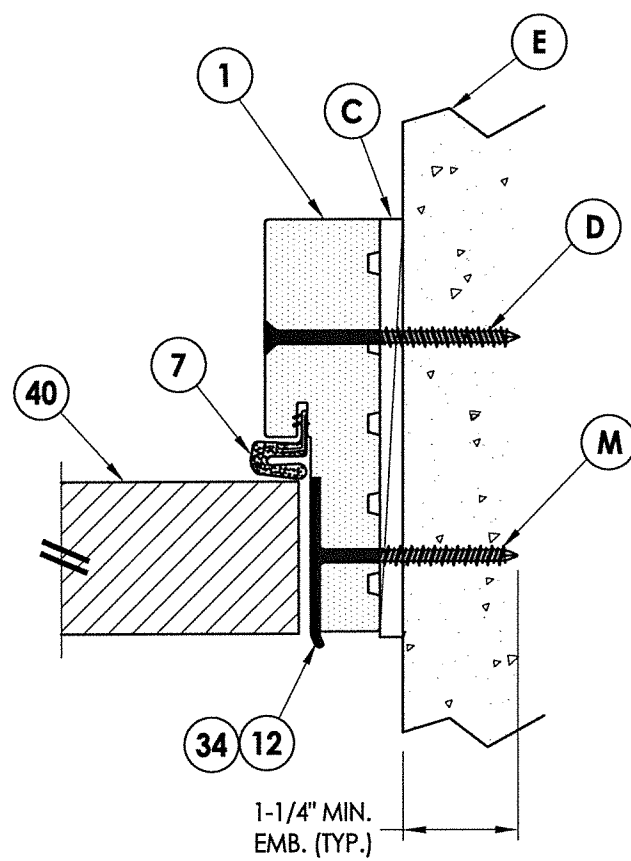
NO.	DATE	BY	REVISIONS

DATE: 3/10/22
 SCALE: N.T.S.
 DWG. BY: RW
 CHK. BY: LFS
 DRAWING NO.: FL-41467.3
 SHEET 8 OF 13

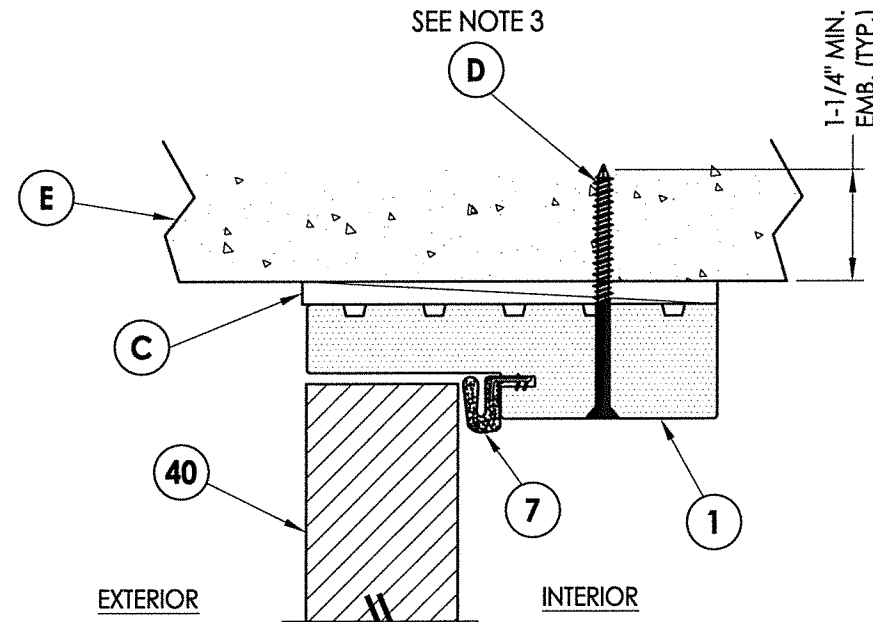
- NOTES:
- Sidelite assembly screws located 4" from each end plus 4 more equally spaced along jamb (6 total).
 - Moulding secured w/ 16 GA. X 1" brad nails located 1" from ends & 6" o.c. max.
 - Anchor @ head is not required for single door (X) only.



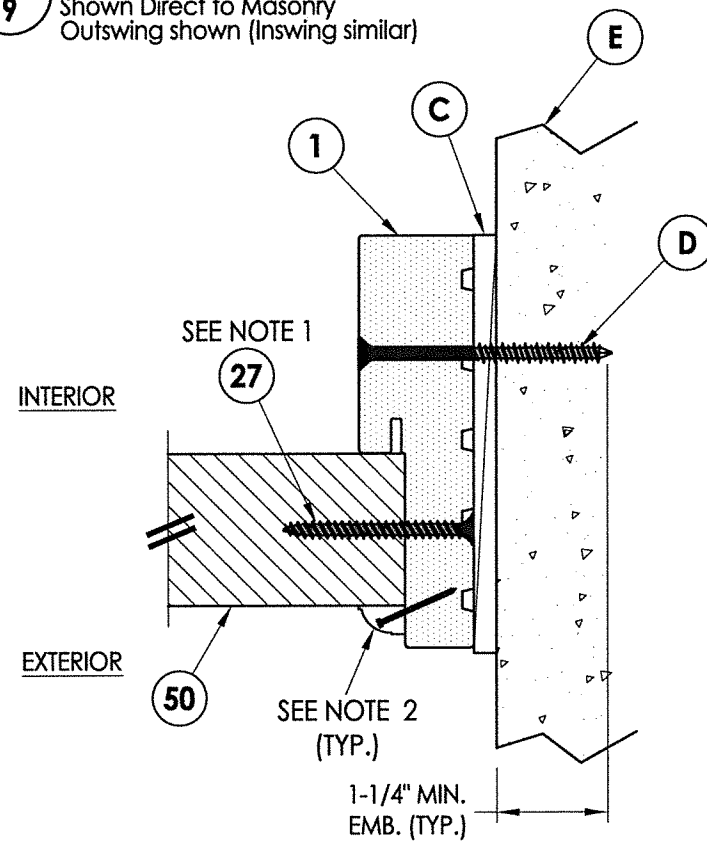
1 HORIZONTAL CROSS SECTION
 9 Shown Direct to Masonry
 Outswing shown (Inswing similar)



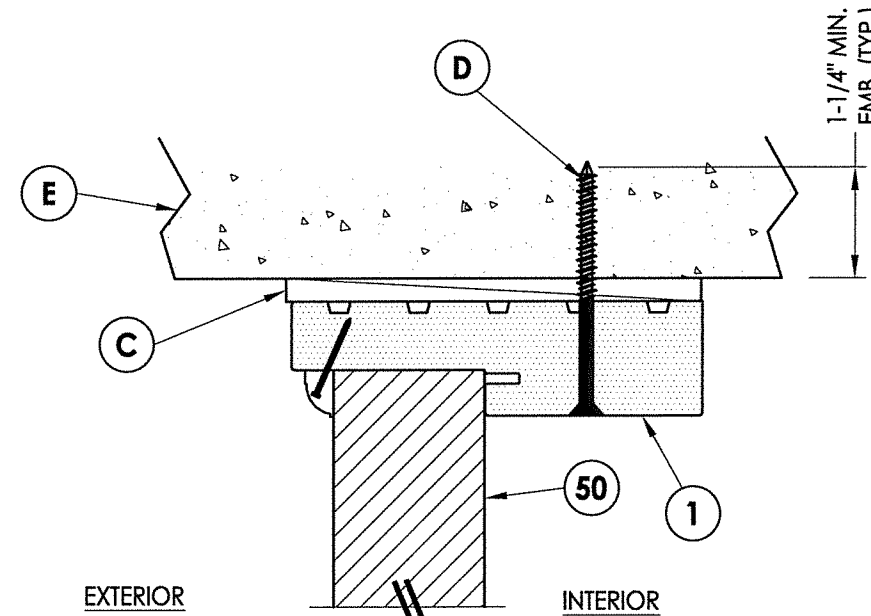
2 HORIZONTAL CROSS SECTION
 9 Shown Direct to Masonry
 Outswing shown (Inswing similar)



4 VERTICAL CROSS SECTION
 9 Shown Direct to Masonry
 Outswing shown (Inswing similar)



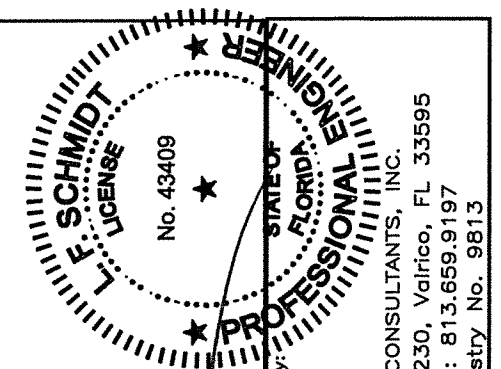
3 HORIZONTAL CROSS SECTION
 9 Shown Direct to Masonry
 Outswing shown (Inswing similar)



5 VERTICAL CROSS SECTION
 9 Shown Direct to Masonry
 Outswing shown (Inswing similar)

NOTES:

- 1. Sidelite assembly screws located 4" from each end plus 4 more equally spaced along jamb (6 total).
- 2. Moulding secured w/ 16 GA. X 1" brad nails located 1" from ends & 6" o.c. max.
- 3. Anchor @ head is not required for single door (X) only.



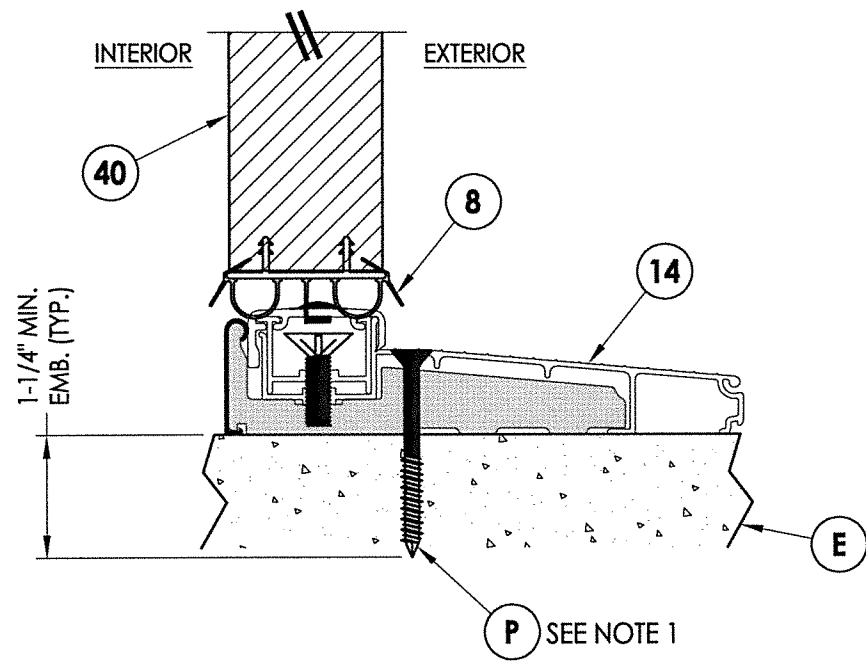
June 7, 2022
 Documents Prepared By:
 Lyndon F. Schmidt
 P.E. No. 43409

RW BUILDING CONSULTANTS, INC.
 P.O. Box 230, Valrico, FL 33595
 Phone No.: 813.659.9197
 FBPE Registry No. 9813

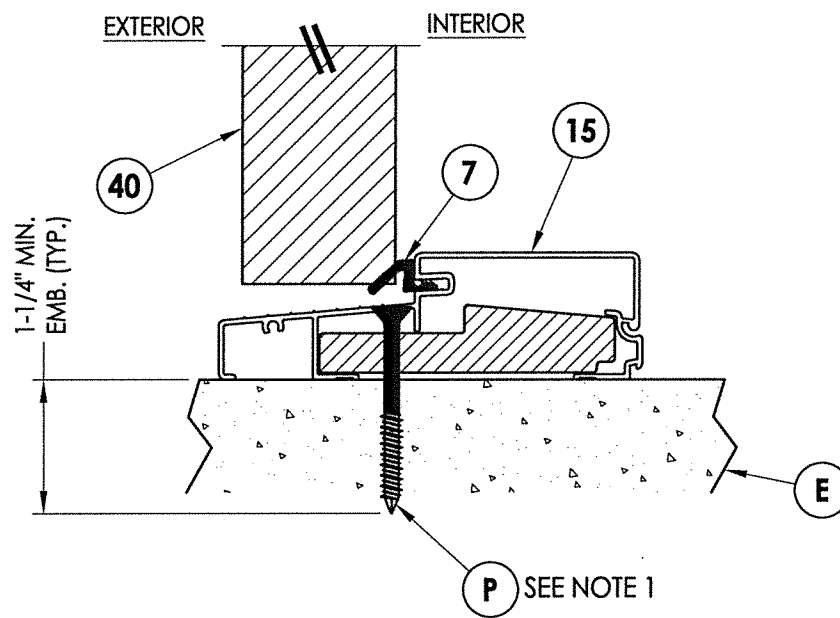
PRODUCT: STEVES & SONS FIBERGLASS DOOR		REVISIONS
PART OR ASSEMBLY: HORIZONTAL & VERTICAL CROSS SECTIONS (DIRECT TO MASONRY)		
NO.	DATE	BY
DATE: 3/10/22		
SCALE: N.T.S.		
DWG. BY: RW		
CHK. BY: LFS		
DRAWING NO.: FL-41467.3		
SHEET 9 OF 13		

Note:

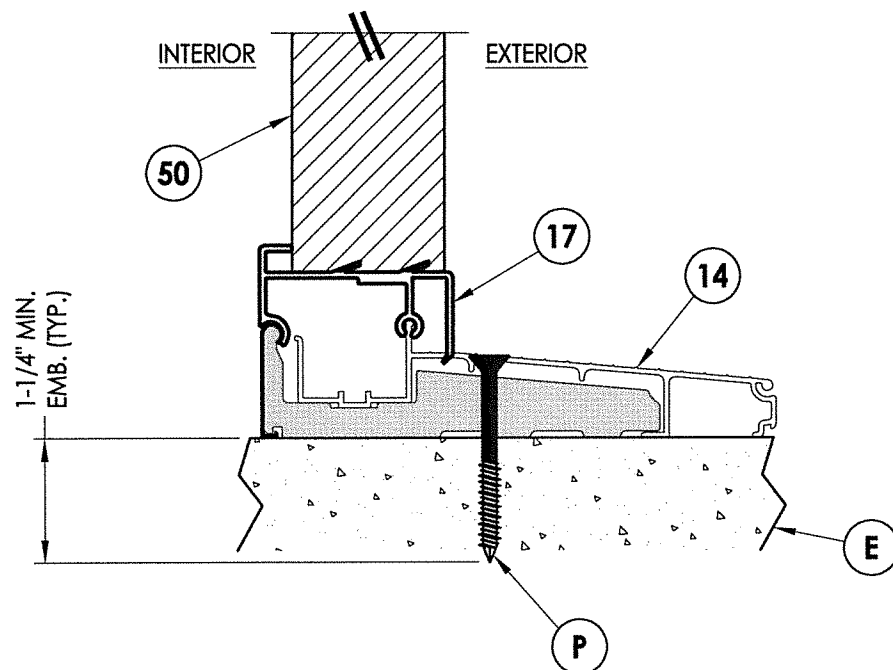
1. Anchor @ sill is not required for single door (X) only.



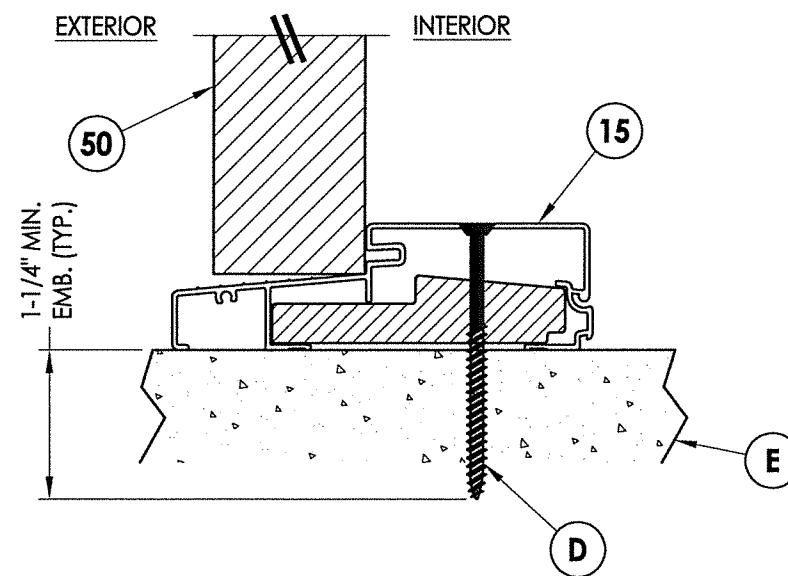
1
10 **VERTICAL CROSS SECTION**
Inswing Threshold



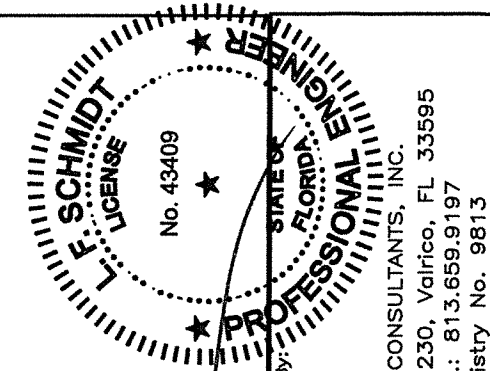
2
10 **VERTICAL CROSS SECTION**
Outswing Threshold



3
10 **VERTICAL CROSS SECTION**
Inswing Threshold



4
10 **VERTICAL CROSS SECTION**
Outswing Threshold

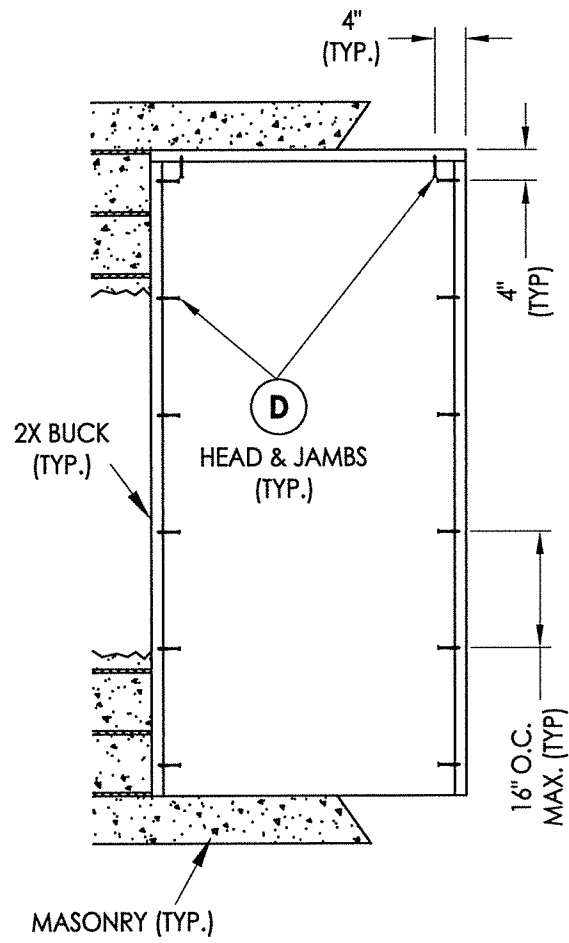


June 7, 2022
 Documents Prepared By:
 Lyndon F. Schmidt
 P.E. No. 43409
 R.W. BUILDING CONSULTANTS, INC.
 P.O. Box 230, Valrico, FL 33595
 Phone No.: 813.659.9197
 FBPE Registry No. 9813

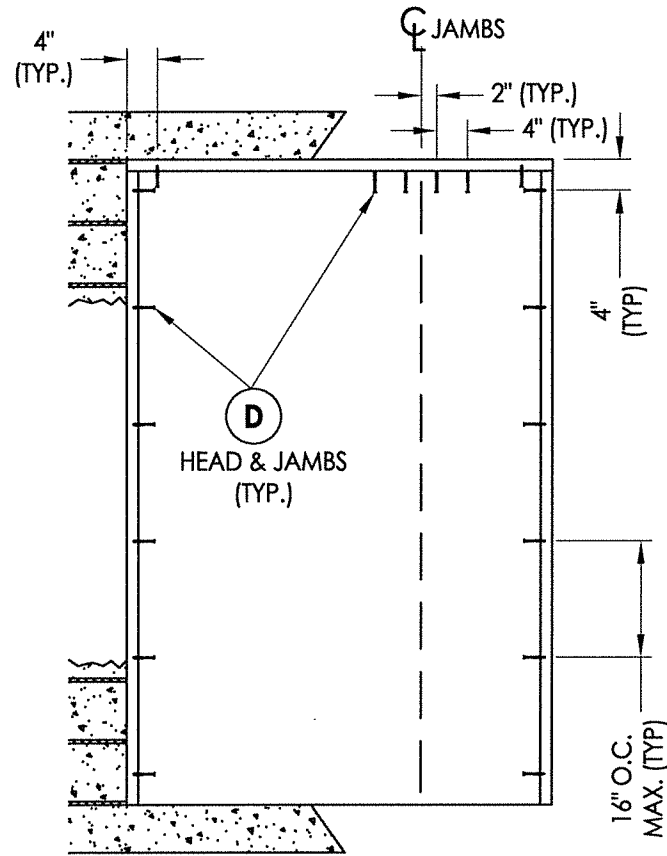
PRODUCT:	STEVES & SONS FIBERGLASS DOOR
PART OR ASSEMBLY:	VERTICAL CROSS SECTIONS

NO.	DATE	BY	REVISIONS

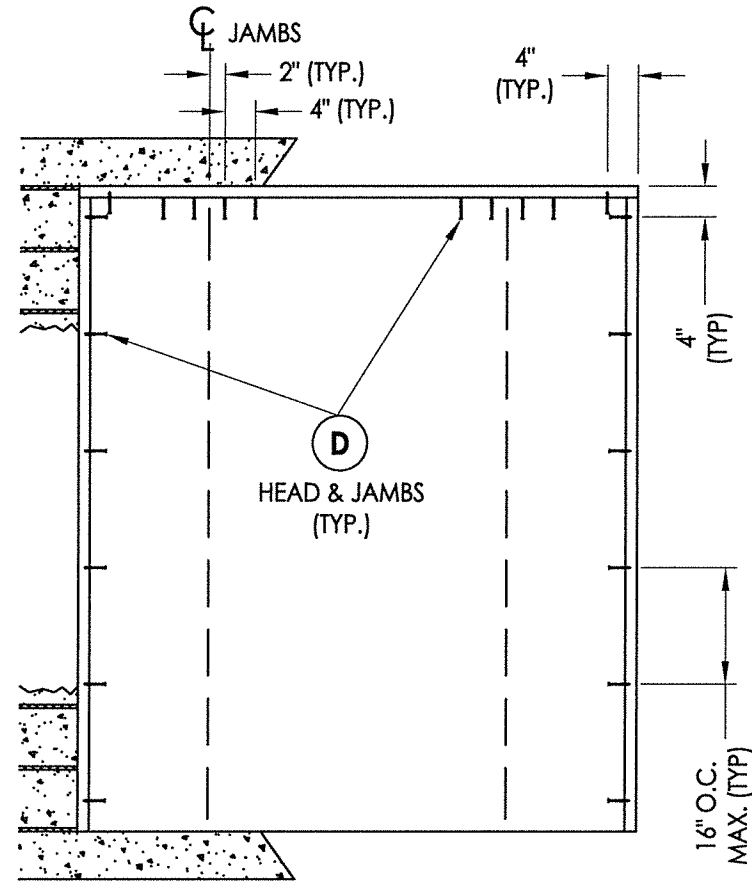
DATE:	3/10/22
SCALE:	N.T.S.
DWG. BY:	RW
CHK. BY:	LFS
DRAWING NO.:	FL-41467.3
SHEET	10 OF 13



X

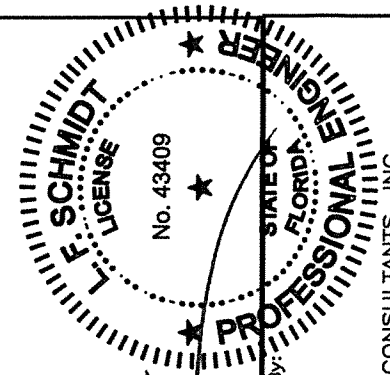


XO, OX



OXO

2X BUCK ANCHORING



LFS

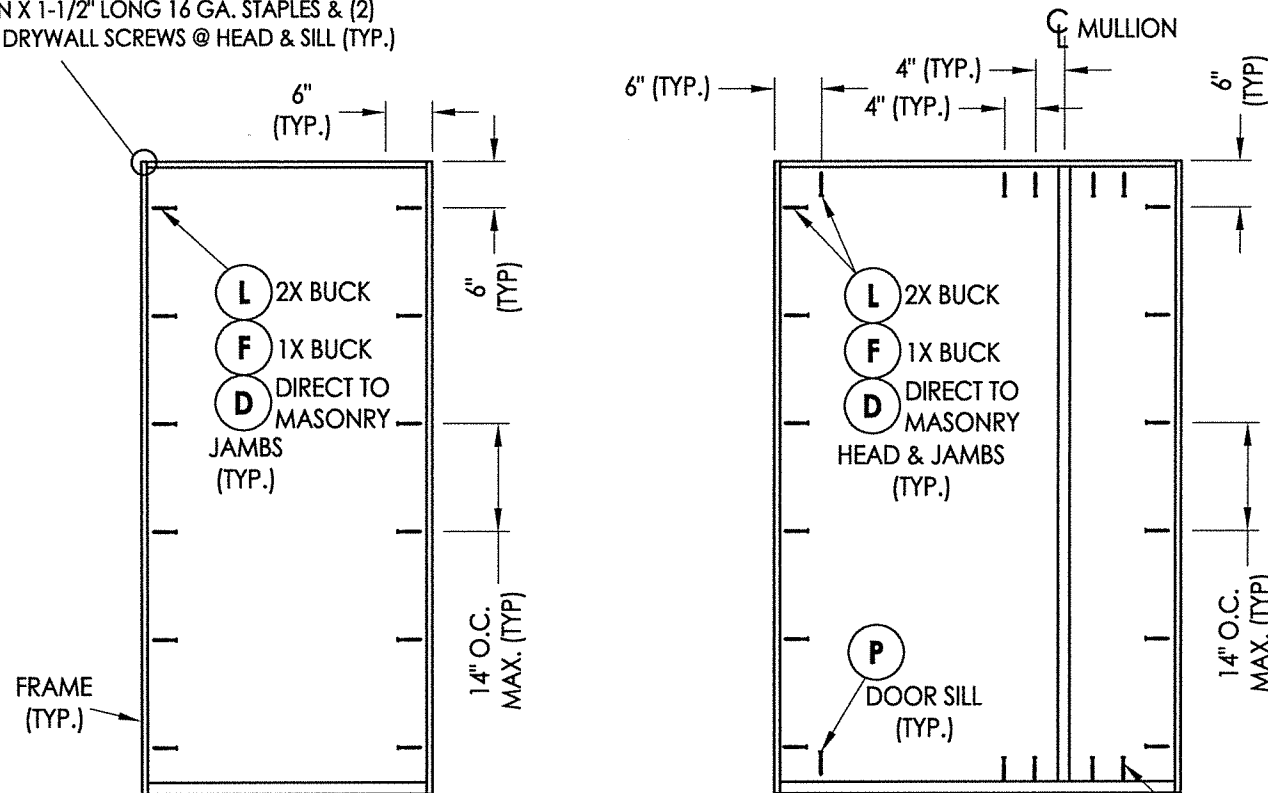
June 7, 2022

Documents Prepared By:
Lyndon F. Schmidt
P.E. No. 43409

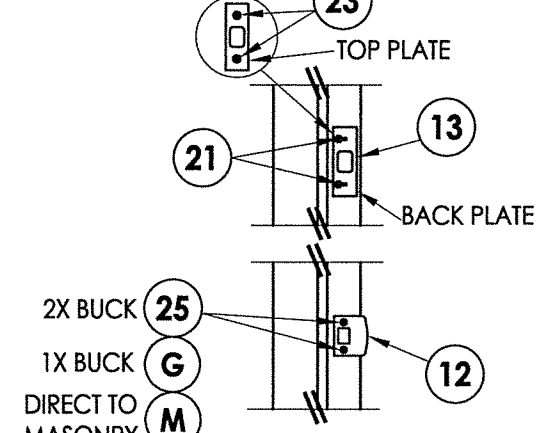
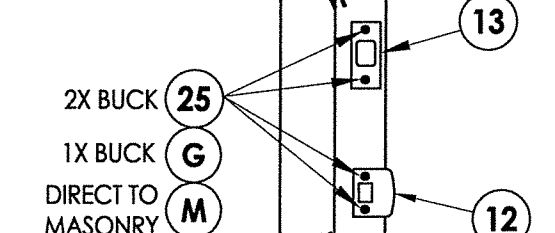
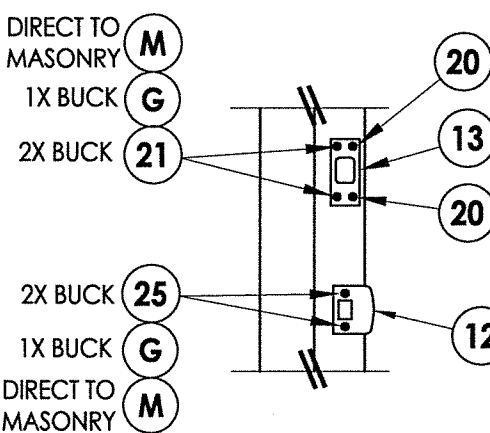
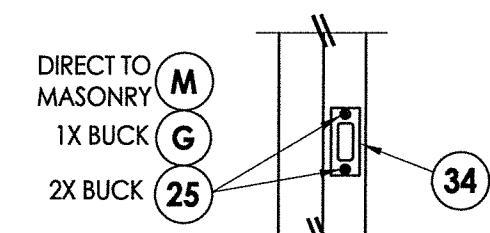
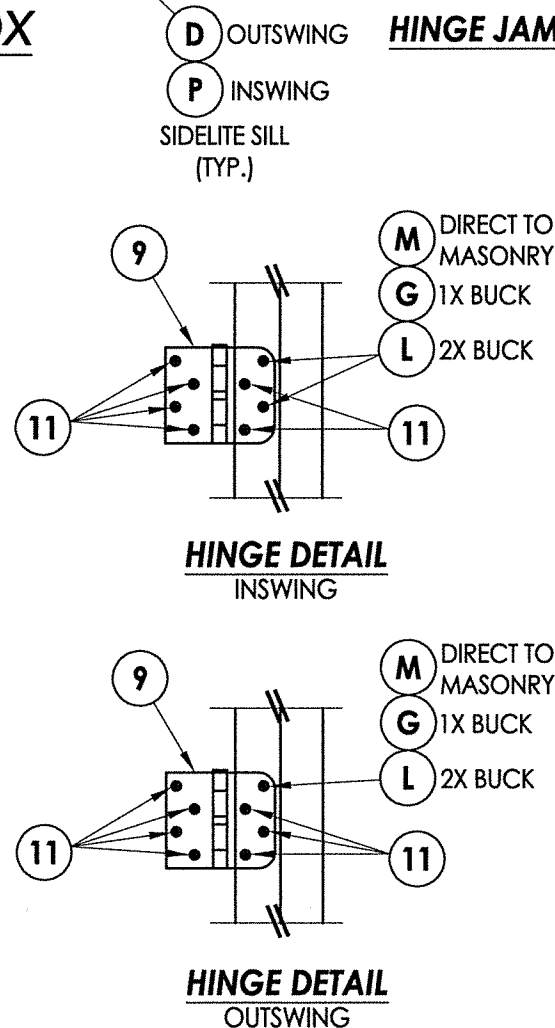
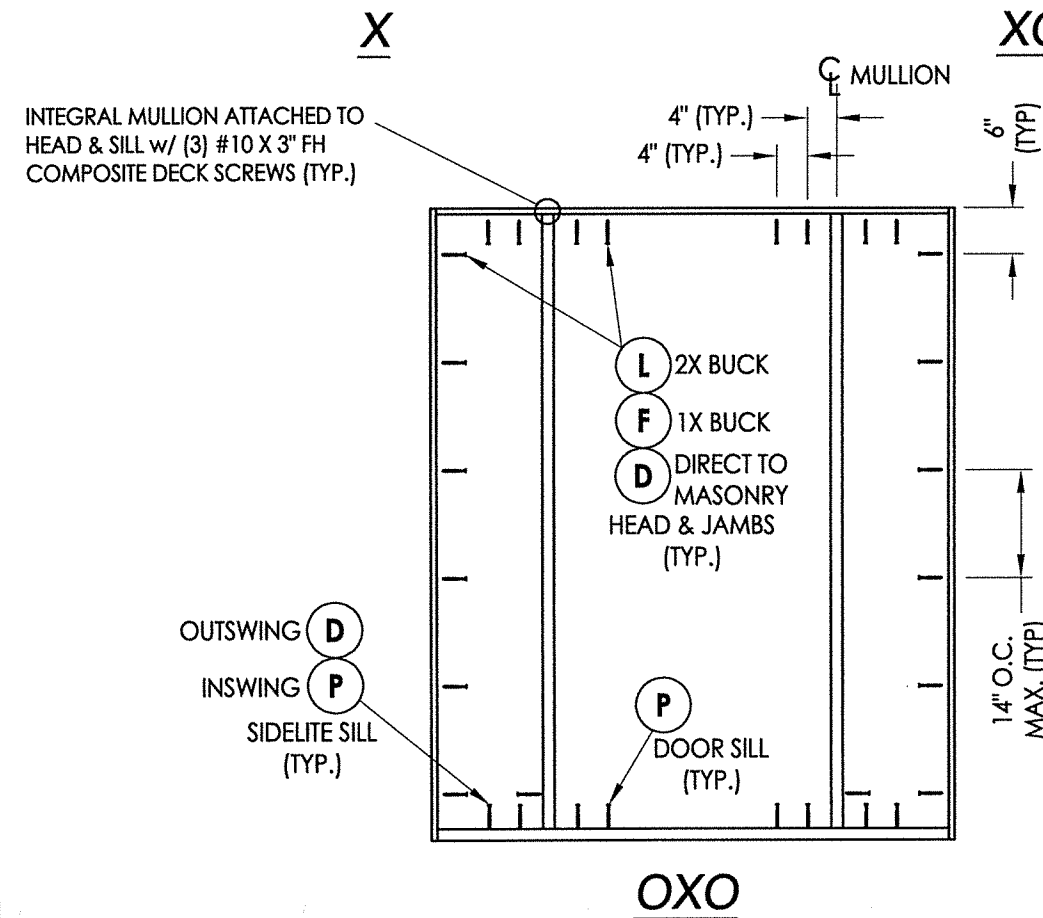
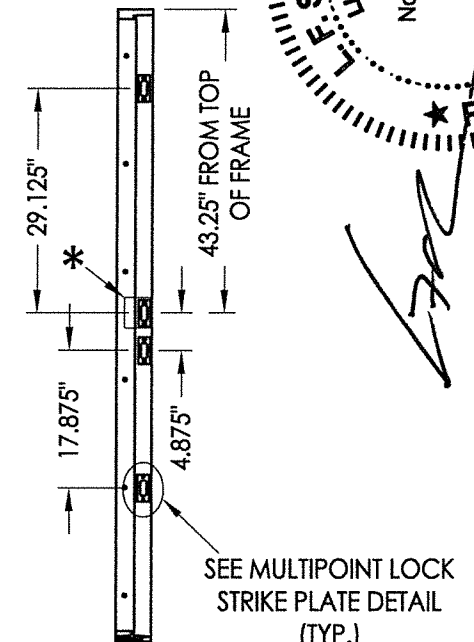
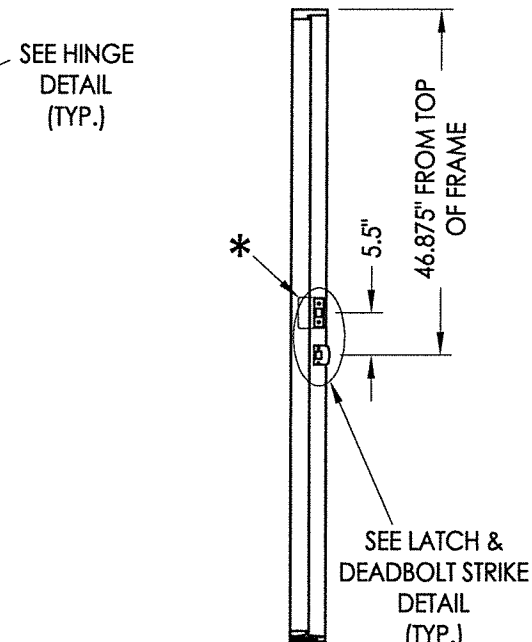
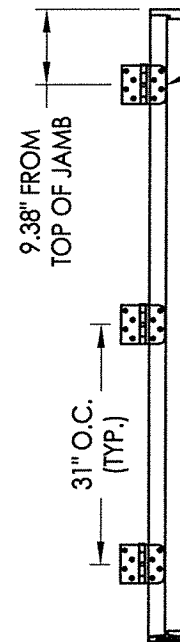
RW BUILDING CONSULTANTS, INC.
P.O. Box 230, Valrico, FL 33595
Phone No.: 813.659.9197
FBPE Registry No. 9813

PRODUCT: STEVES & SONS FIBERGLASS DOOR	
PART OR ASSEMBLY: BUCK ANCHORING	
NO.	DATE
BY	REVISIONS
DATE: 3/10/22	
SCALE: N.T.S.	
DWG. BY: RW	
CHK. BY: LFS	
DRAWING NO.: FL-41467.3	
SHEET 11 of 13	

FRAME CORNERS ATTACHED w/ (3) 7/16" CROWN X 1-1/2" LONG 16 GA. STAPLES & (2) #7 X 2" DRYWALL SCREWS @ HEAD & SILL (TYP.)



* 3.5" X 4" 20 GA. STEEL PLATE ATTACHED TO BACK OF LOCK JAMB w/ (4) 1" CROWN X 5/8" LONG 16 GA. STAPLES

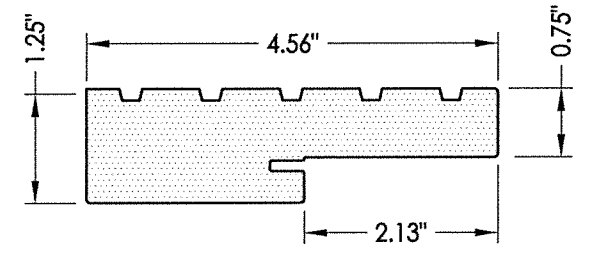


FLORIDA PROFESSIONAL ENGINEER
 L. F. SCHMIDT
 License No. 43409
 June 7, 2022
 Documents Prepared By:
 Lyndon F. Schmidt
 P.E. No. 43409
 RW BUILDING CONSULTANTS, INC.
 P.O. Box 230, Valrico, FL 33595
 Phone No.: 813.659.9197
 FBPE Registry No. 9813

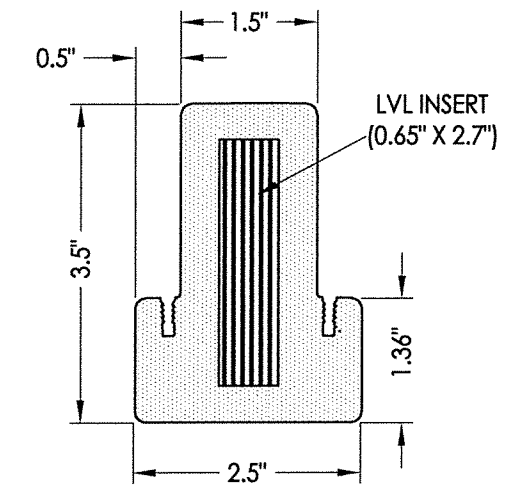
PRODUCT: STEVES & SONS FIBERGLASS DOOR
 PART OR ASSEMBLY: FRAME ANCHORING & HARDWARE DETAILS
 REVISIONS
 NO. DATE BY
 DATE: 3/10/22
 SCALE: N.T.S.
 DWG. BY: RW
 CHK. BY: LFS
 DRAWING NO.: FL-41467.3
 SHEET 12 of 13

Z:\Clients\Steves and Sons - Permanent\A - Florida Product Approvals\FL-41467 REGENCY SERIES\C - Drawings\FL-41467 (2020)\FL-41467.3.dwg

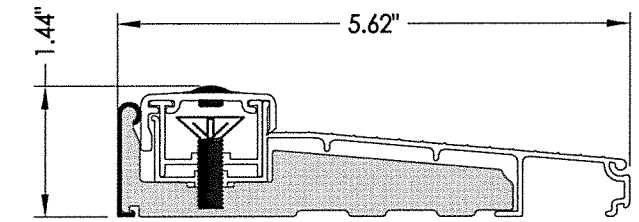
BILL OF MATERIALS		
ITEM #	DESCRIPTION	MATERIAL
A	1X BUCK (G >= 0.42)	WOOD
B	2X BUCK (G >= 0.42)	WOOD
C	1/4" MAX. SHIM SPACE	-
D	1/4" X 2-3/4" PFH DeWALT OR ITW CONCRETE SCREW	STEEL
E	MASONRY - 3,000 PSI MIN. CONCRETE CONFORMING TO ACI 301 OR HOLLOW BLOCK CONFORMING TO ASTM C90	CONCRETE
F	1/4" X 3-3/4" PFH DeWALT OR ITW CONCRETE SCREW	STEEL
G	3/16" X 3-1/4" PFH ITW CONCRETE SCREW	STEEL
L	#10 X 2-1/2" PFH WOOD SCREW (1.15" MIN. EMB.)	STEEL
M	3/16" X 2-1/4" PFH ITW CONCRETE SCREW	STEEL
P	1/4" X 2-1/4" PFH DeWALT OR ITW CONCRETE SCREW	STEEL
1	COMPOSITE JAMB	COMP
3	COMPOSITE MULLION	COMP/LVL
7	WEATHERSTRIP	FOAM
8	SWEEP	VINYL
9	4" X 4" HINGE	STEEL
11	#9 X 3/4" PFH WOOD SCREW	STEEL
12	LATCH STRIKE PLATE	STEEL
13	DEADBOLT STRIKE PLATE	STEEL
14	INSWING THRESHOLD	ALUM/COMP
15	OUTSWING THRESHOLD	ALUM/COMP
17	INSWING SIDELITE ADAPTER	PVC
18	#8 X 3" SD TRIM SCREW	STEEL
20	#9 X 1/2" PFH WOOD SCREW	STEEL
21	#12 X 2-1/2" PFH WOOD SCREW	STEEL
23	#8 X 3/4" PFH WOOD SCREW	STEEL
25	#8 X 2-1/2" PFH WOOD SCREW	STEEL
27	#7 X 1-5/8" DRYWALL SCREW	STEEL
34	MULTIPOINT LOCK STRIKE PLATE	STEEL
40	DOOR PANEL	-
50	SIDELITE PANEL	-



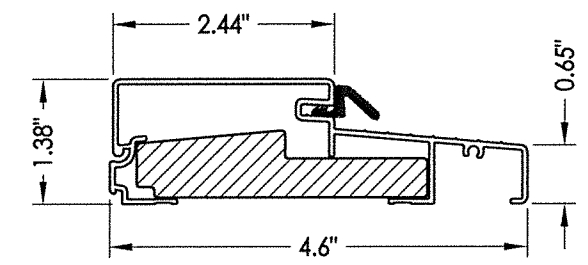
1 **COMPOSITE JAMB**
WORLDWIDE "4EVER"



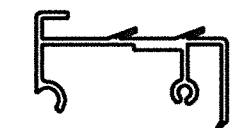
3 **COMPOSITE MULLION**



14 **INSWING THRESHOLD**
Columbia



15 **OUTSWING THRESHOLD**
Columbia



17 **INSWING SIDELITE SPACER**
Columbia

CONCRETE ANCHOR NOTES:

- Concrete anchor locations at the corners may be adjusted to maintain the min. edge distance to mortar joints.
- Concrete anchor locations noted as "MAX. ON CENTER" must be adjusted to maintain the min. edge distance to mortar joints, additional concrete anchors may be required to ensure the "MAX. ON CENTER" dimension are not exceeded.
- Concrete anchor table:

ANCHOR TYPE	ANCHOR SIZE	MIN. EMBEDMENT	MIN. CLEARANCE TO MASONRY EDGE	MIN. CLEARANCE TO ADJACENT ANCHOR
ITW BUILDEX	3/16"	1-1/4"	3"	1-1/2"
TAPCON [®]	1/4"	1-1/4"	2"	4"
DeWALT ULTRACON [®]	1/4"	1-1/4"	1"	4"

WOOD SCREW INSTALLATION NOTES:

- Maintain a minimum 5/8" edge distance, 1" end distance, & 1" o.c. spacing of wood screws to prevent the splitting of wood.

June 7, 2022
 Documents Prepared By:
 Lyndon F. Schmidt
 P.E. No. 43409

R.W.
 BUILDING CONSULTANTS, INC.
 P.O. Box 230, Valrico, FL 33595
 Phone No.: 813.659.9197
 FBPE Registry No. 9813

PRODUCT: ALL SEASONS, INC. FIBERGLASS DOOR	PART OR ASSEMBLY: BILL OF MATERIALS & COMPONENTS	REVISIONS
		NO. DATE BY
DATE: 3/10/22		
SCALE: N.T.S.		
DWG. BY: RW		
CHK. BY: LFS		
DRAWING NO.: FL-41467.3		
SHEET 13 OF 13		

© 2022 R.W. BUILDING CONSULTANTS INC.