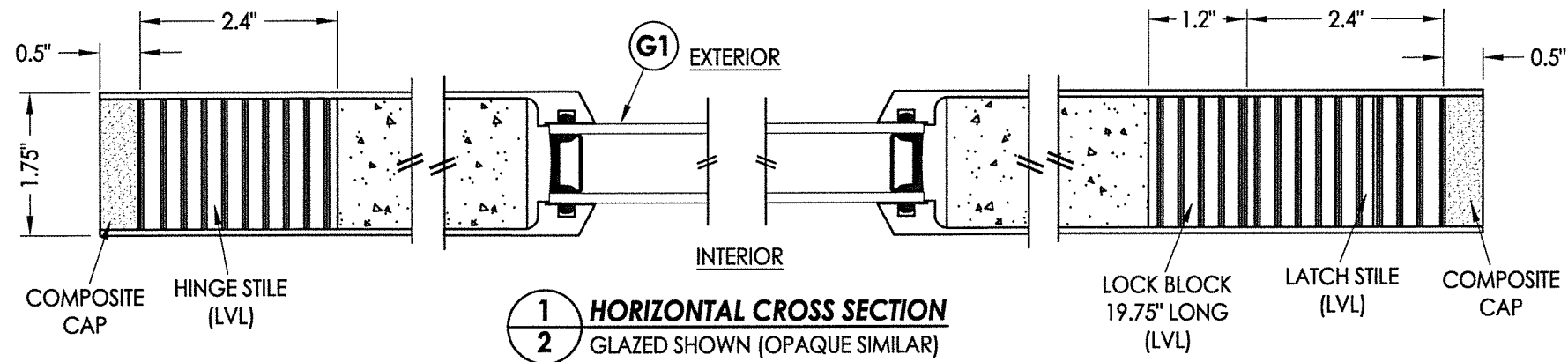
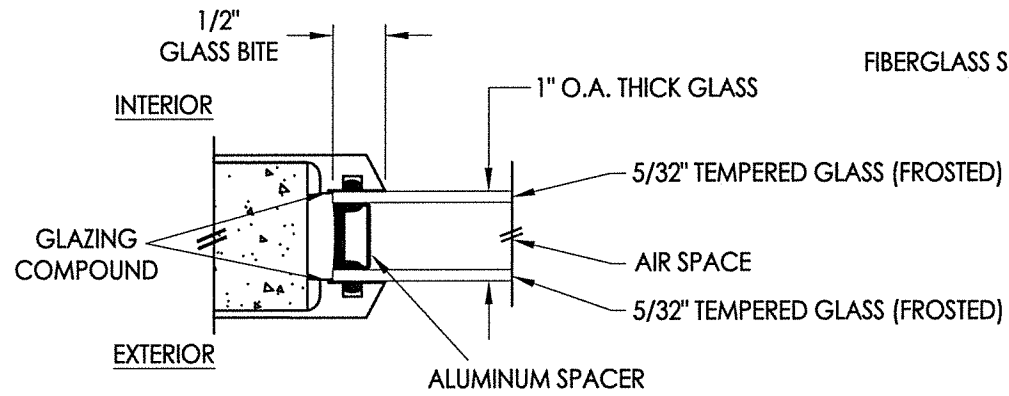


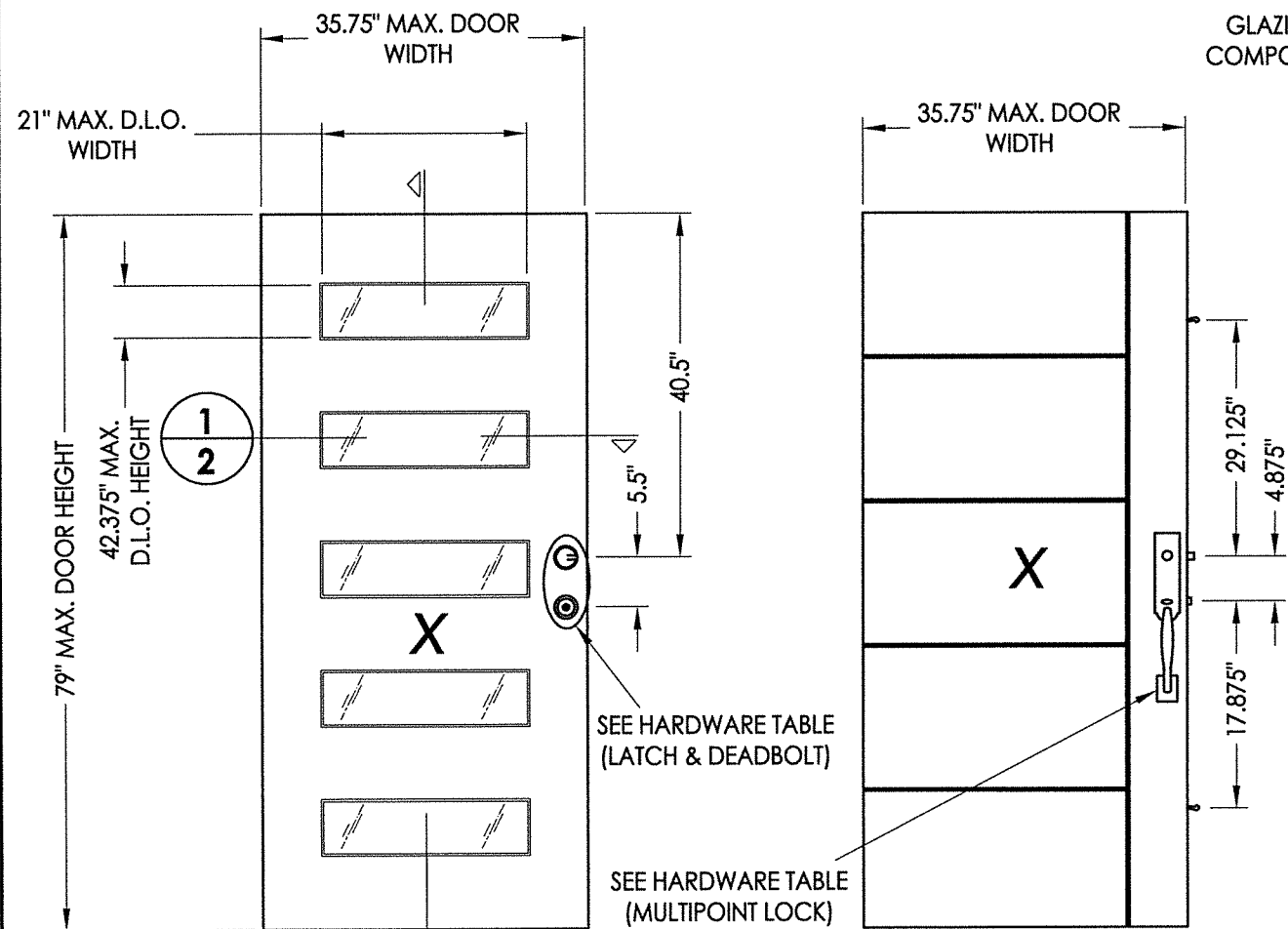
Z:\Clients\Steves and Sons - Permanent\A - Florida Product Approvals\FL-41467 REGENCY SERIES\C - Drawings\FL-41467 (2020)\FL-41467.10.dwg



1 HORIZONTAL CROSS SECTION
2 GLAZED SHOWN (OPAQUE SIMILAR)



G1 GLAZING DETAIL

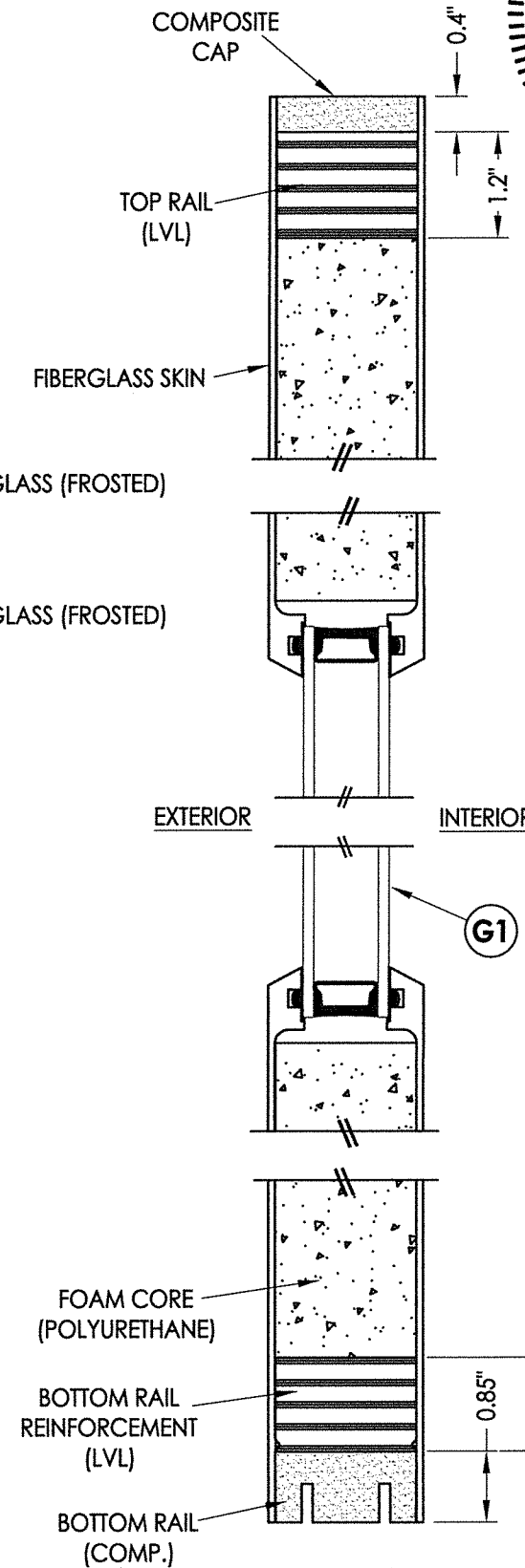


40 FIBERGLASS DOOR PANEL
MODERN 5 LITE

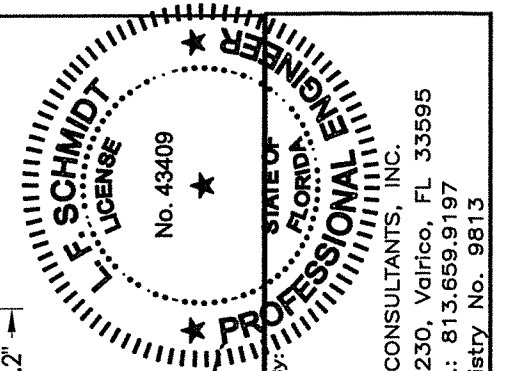
40 FIBERGLASS DOOR PANEL
V-GROOVE

FIBERGLASS DOOR SKIN: MIN. 0.08\" THK.
CORE MATERIAL: POLYURETHANE FOAM

HARDWARE TABLE		
MANUFACTURER	MODEL	
KWIKSET	LATCH:	SIGNATURE SERIES
	DEADBOLT:	SIGNATURE SERIES (980)
SCHLAGE	LATCH:	F51
	DEADBOLT:	B60N
ROCKWELL	LATCH:	PREMIUM HANDLESET
	DEADBOLT:	PREMIUM DEADBOLT
ROCKWELL	PREMIUM MULTIPOINT HANDLESET w/ DEADLOCKING TONGUE MULTIPOINT LOCK	



2 VERTICAL CROSS SECTION
2 GLAZED SHOWN (OPAQUE SIMILAR)



June 7, 2022

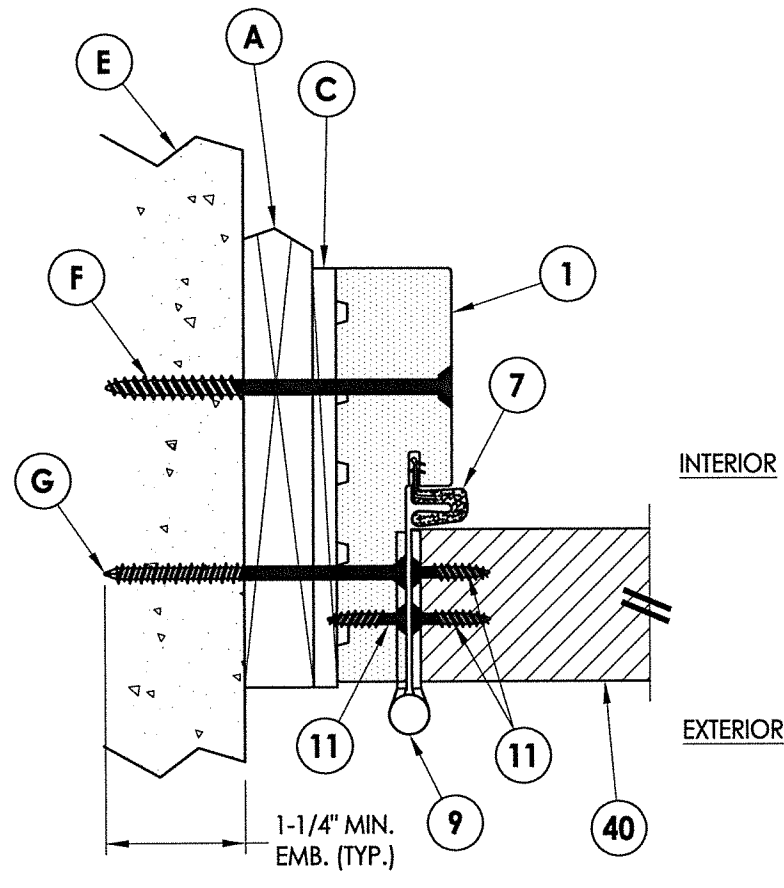
Documents Prepared By:
Lyndon F. Schmidt
P.E. No. 43409

R.W. BUILDING CONSULTANTS, INC.
P.O. Box 230, Valrico, FL 33595
Phone No.: 813.659.9197
FBPE Registry No. 9813

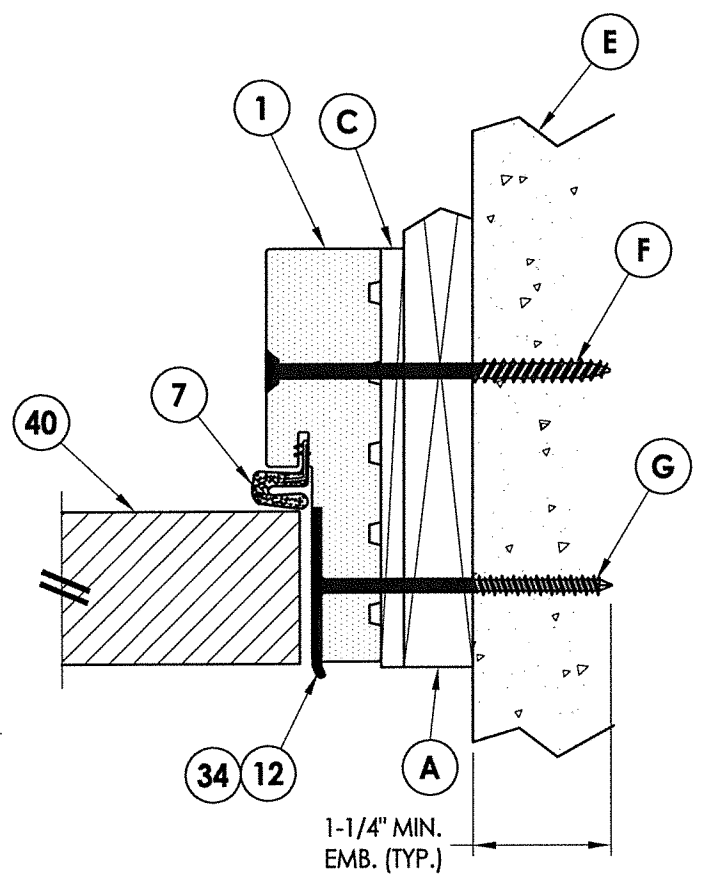
PRODUCT: STEVES & SONS FIBERGLASS DOOR
 PART OR ASSEMBLY: DOOR PANEL DETAILS

NO.	DATE	BY	REVISIONS

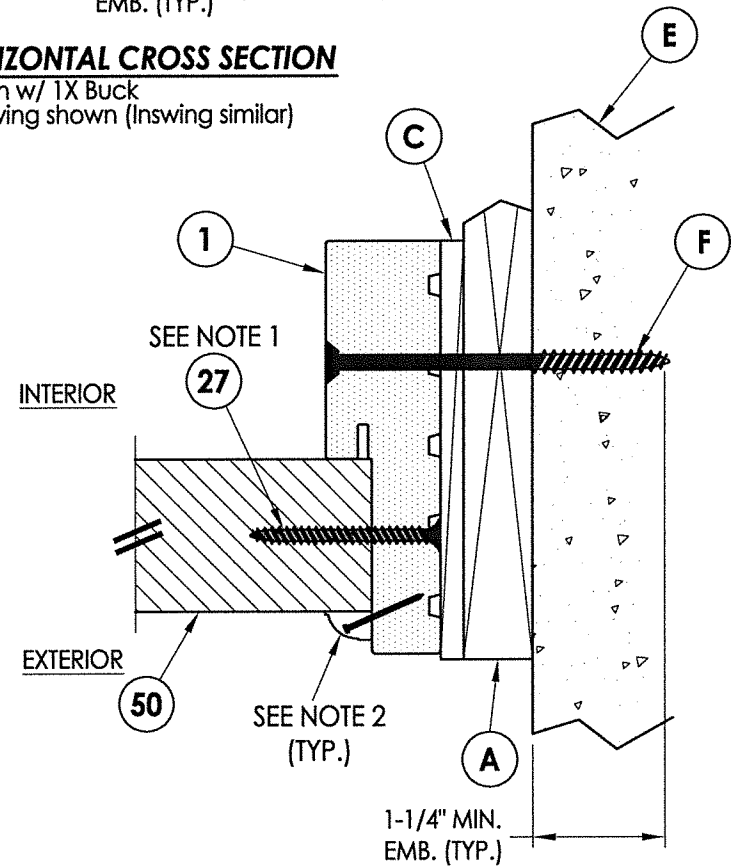
DATE: 3/10/22
 SCALE: N.T.S.
 DWG. BY: RW
 CHK. BY: LFS
 DRAWING NO.: FL-41467.10
 SHEET 2 OF 13



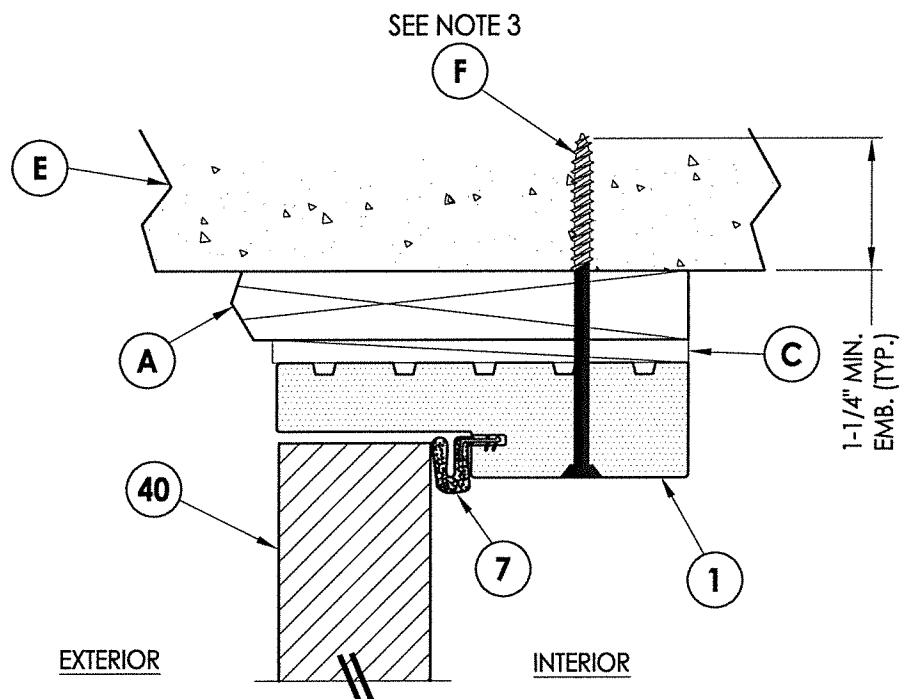
1
8 **HORIZONTAL CROSS SECTION**
Shown w/ 1X Buck
Outswing shown (Inswing similar)



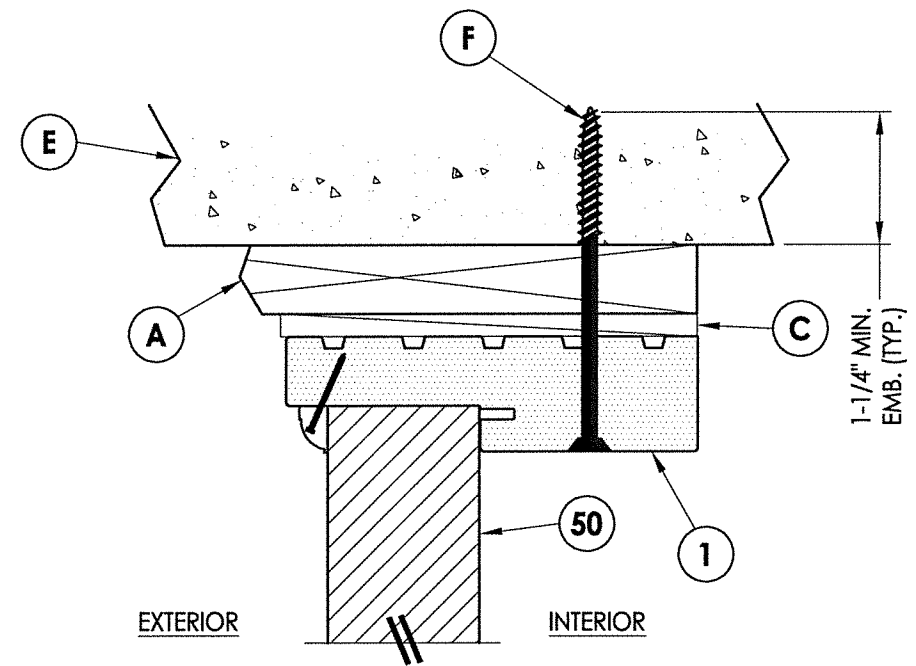
2
8 **HORIZONTAL CROSS SECTION**
Shown w/ 1X Buck
Outswing shown (Inswing similar)



3
8 **HORIZONTAL CROSS SECTION**
Shown w/ 1X Buck
Outswing shown (Inswing similar)



4
8 **VERTICAL CROSS SECTION**
Shown w/ 1X Buck
Outswing shown (Inswing similar)



5
8 **VERTICAL CROSS SECTION**
Shown w/ 1X Buck
Outswing shown (Inswing similar)

- NOTES:**
- Sidelite assembly screws located 4" from each end plus 4 more equally spaced along jamb (6 total).
 - Moulding secured w/ 16 GA. X 1" brad nails located 1" from ends & 6" o.c. max.
 - Anchor @ head is not required for single door (X) only.

L.F. SCHMIDT
LICENSE
No. 43409
STATE OF FLORIDA
PROFESSIONAL ENGINEER

June 7, 2022

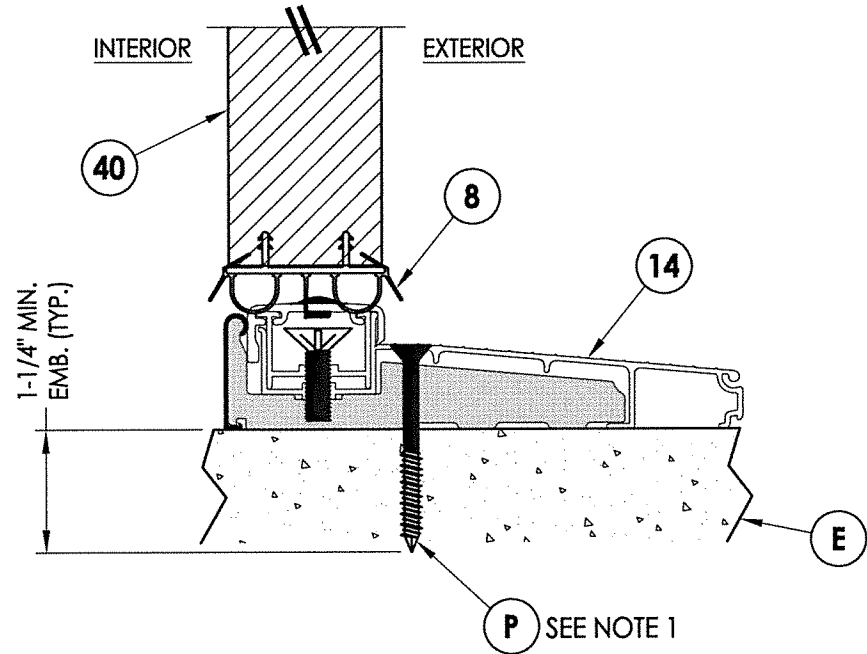
Documents Prepared By:
Lyndon F. Schmidt
P.E. No. 43409

RW BUILDING CONSULTANTS, INC.
P.O. Box 230, Valrico, FL 33595
Phone No.: 813.659.9197
FBPE Registry No. 9813

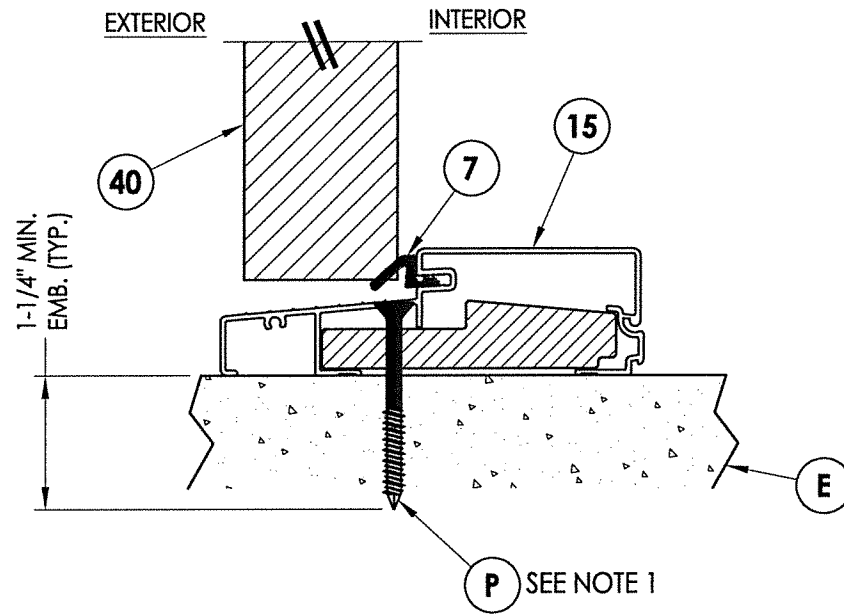
PRODUCT: STEVES & SONS FIBERGLASS DOOR	
PART OR ASSEMBLY: HORIZONTAL & VERTICAL CROSS SECTIONS (1X BUCK)	
NO.	DATE
BY	REVISIONS
DATE: 3/10/22	
SCALE: N.T.S.	
DWG. BY: RW	
CHK. BY: LFS	
DRAWING NO.: FL-41467.10	
SHEET 8 OF 13	

Note:

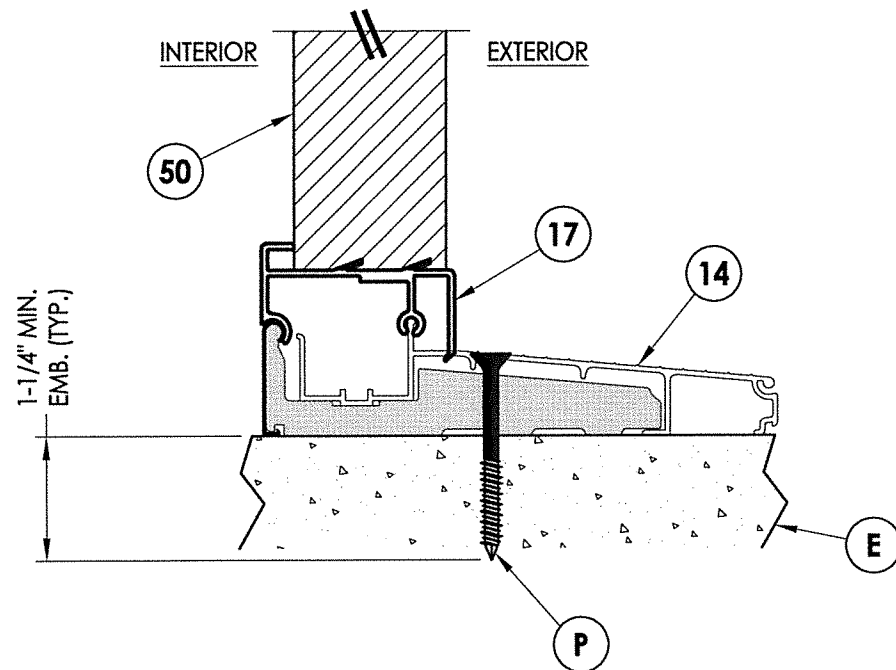
1. Anchor @ sill is not required for single door (X) only.



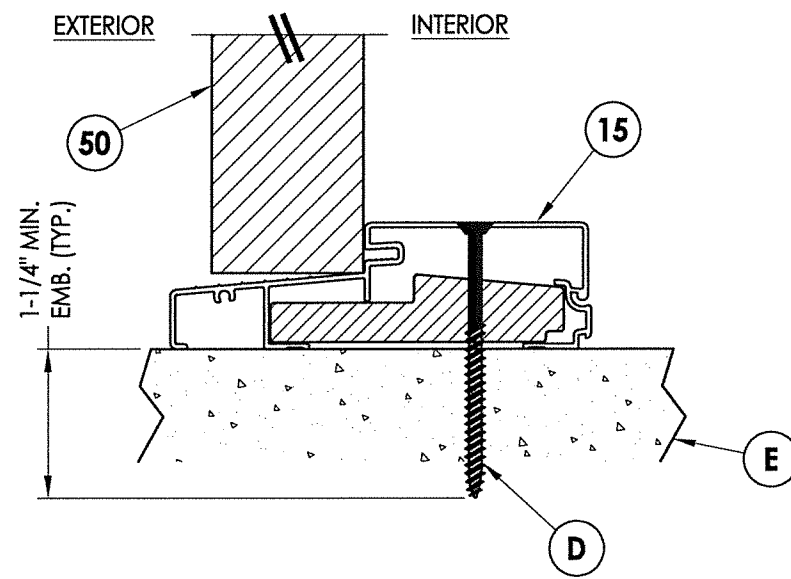
1
10 **VERTICAL CROSS SECTION**
Inswing Threshold



2
10 **VERTICAL CROSS SECTION**
Outswing Threshold



3
10 **VERTICAL CROSS SECTION**
Inswing Threshold



4
10 **VERTICAL CROSS SECTION**
Outswing Threshold

June 7, 2022
 Documents Prepared By:
 Lyndon F. Schmidt
 P.E. No. 43409

RW BUILDING CONSULTANTS, INC.
 P.O. Box 230, Vairico, FL 33595
 Phone No.: 813.659.9197
 FBPE Registry No. 9813

PRODUCT: STEVES & SONS FIBERGLASS DOOR	
PART OR ASSEMBLY: VERTICAL CROSS SECTIONS	
	BY
	REVISIONS
	NO. DATE
DATE: 3/10/22	
SCALE: N.T.S.	
DWG. BY: RW	
CHK. BY: LFS	
DRAWING NO.: FL-41467.10	
SHEET 10 OF 13	

