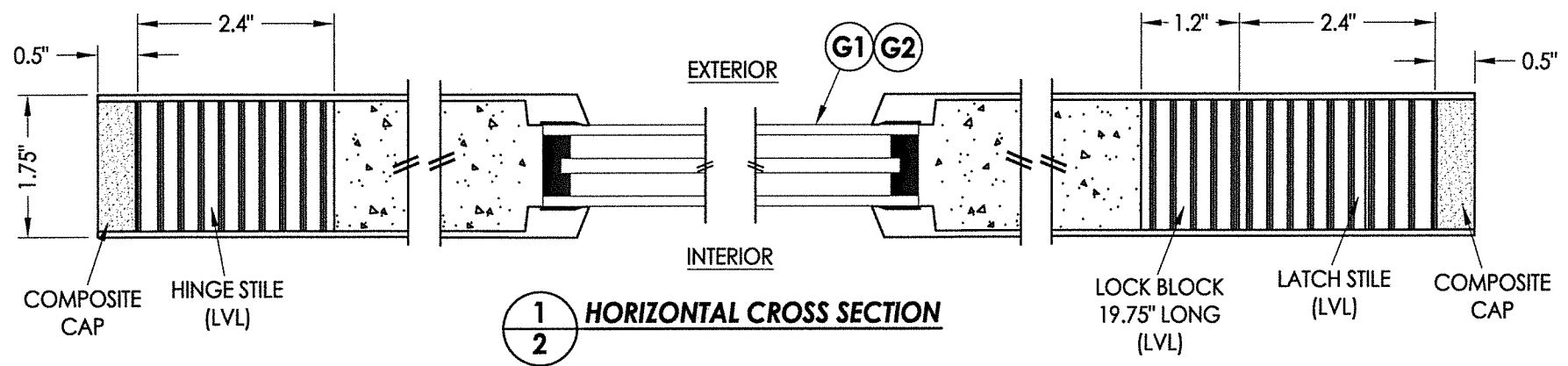
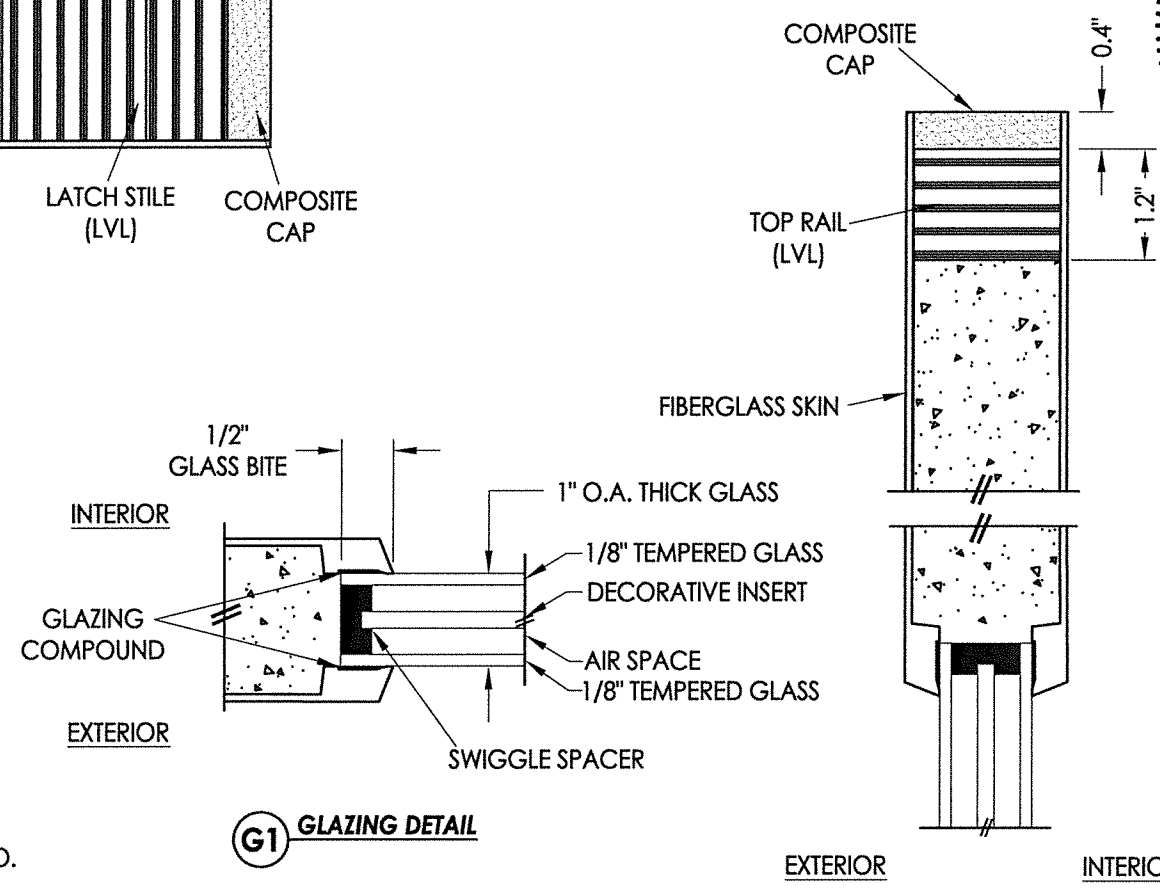


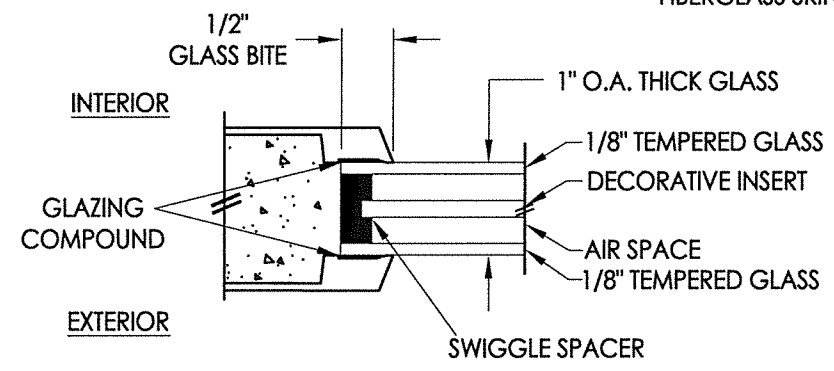
Z:\Clients\Stevens and Sons - Permanent\A - Florida Product Approvals\FL-41467 REGENCY SERIES\C - Drawings\FL-41467 (2020)\FL-41467.7.dwg



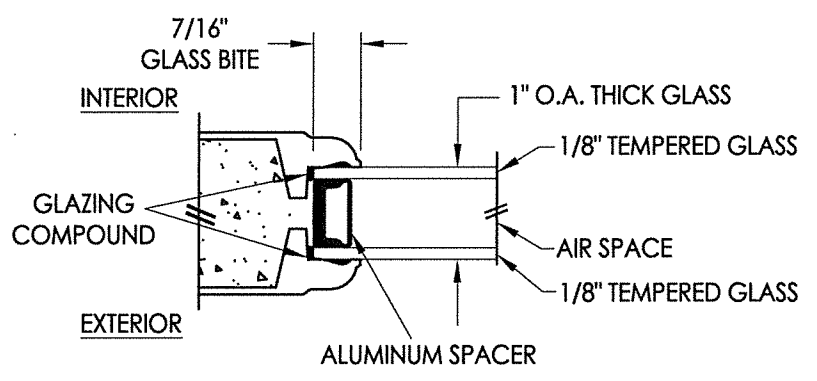
1
2 HORIZONTAL CROSS SECTION



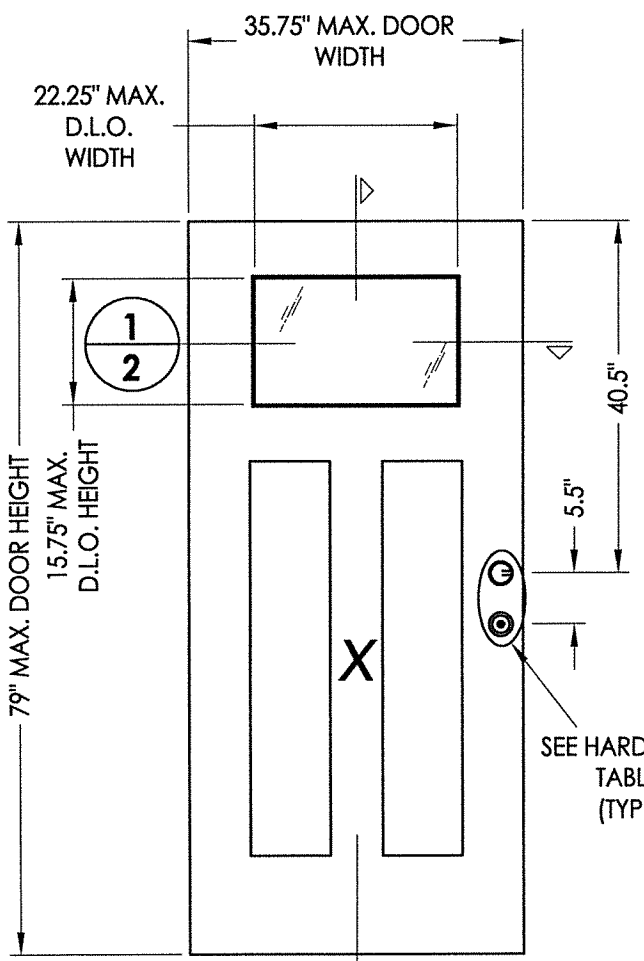
2
2 VERTICAL CROSS SECTION



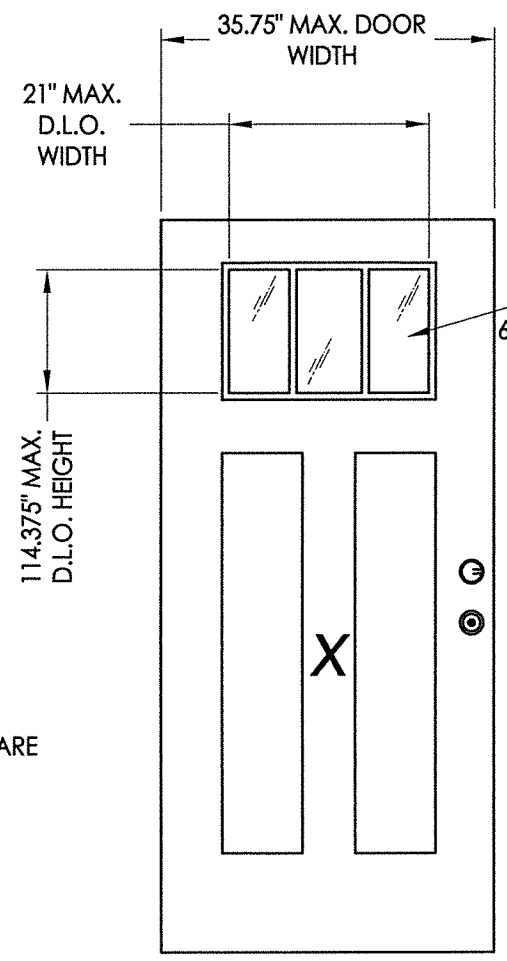
G1 GLAZING DETAIL



G2 GLAZING DETAIL



40 FIBERGLASS DOOR PANEL
1/4 LITE



40 FIBERGLASS DOOR PANEL
1/4 LITE 3 LITE

FIBERGLASS DOOR SKIN: MIN. 0.08\"/>

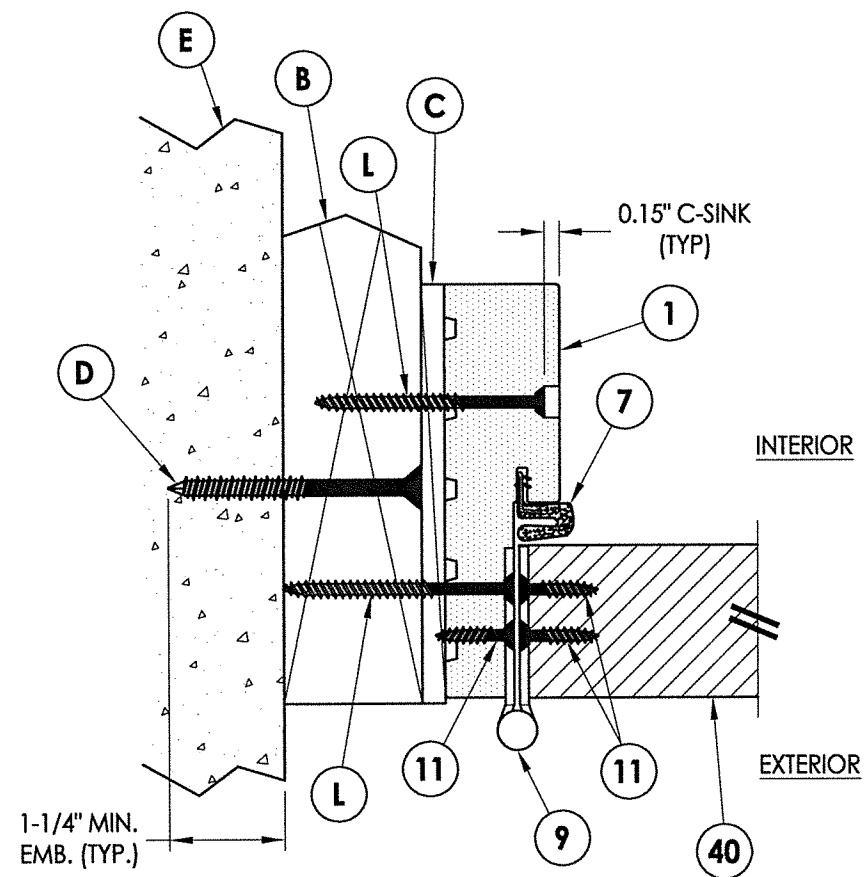
SINGLE LITE (3X)
6-3/16\"/>

HARDWARE TABLE		
MANUFACTURER	MODEL	
KWIKSET	LATCH:	SIGNATURE SERIES
	DEADBOLT:	SIGNATURE SERIES (980)
SCHLAGE	LATCH:	F51
	DEADBOLT:	B60N
ROCKWELL	LATCH:	PREMIUM HANDLESET
	DEADBOLT:	PREMIUM DEADBOLT

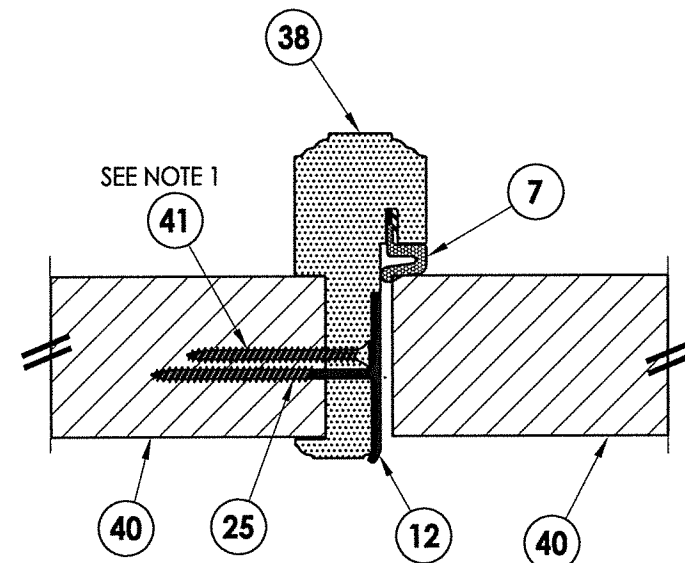
June 7, 2022
 Documents Prepared By:
 Lyndon F. Schmidt
 P.E. No. 43409
 BUILDING CONSULTANTS, INC.
 P.O. Box 230, Valrico, FL 33595
 Phone No.: 813.659.9197
 FBPE Registry No. 9813

PRODUCT: STEVES & SONS FIBERGLASS DOOR
 PART OR ASSEMBLY: DOOR PANEL DETAILS
 REVISIONS
 NO. DATE BY
 DATE: 3/10/22
 SCALE: N.T.S.
 DWG. BY: RW
 CHK. BY: LFS
 DRAWING NO.: FL-41467.7
 SHEET 2 of 10

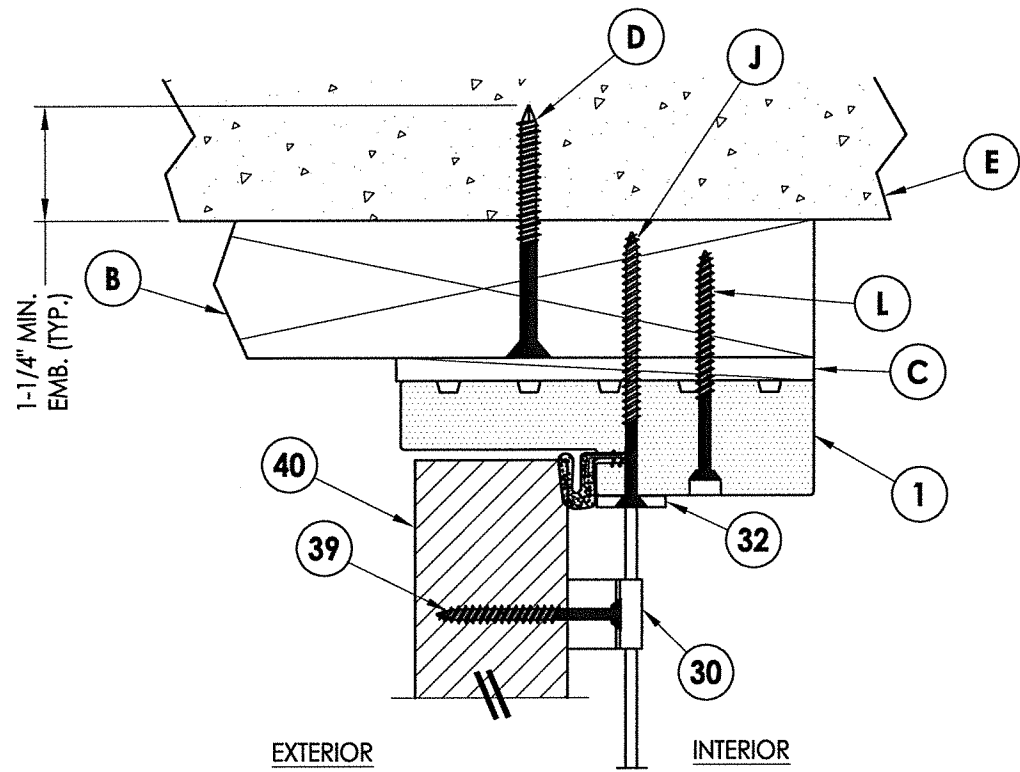
© 2022 R.W. BUILDING CONSULTANTS INC.



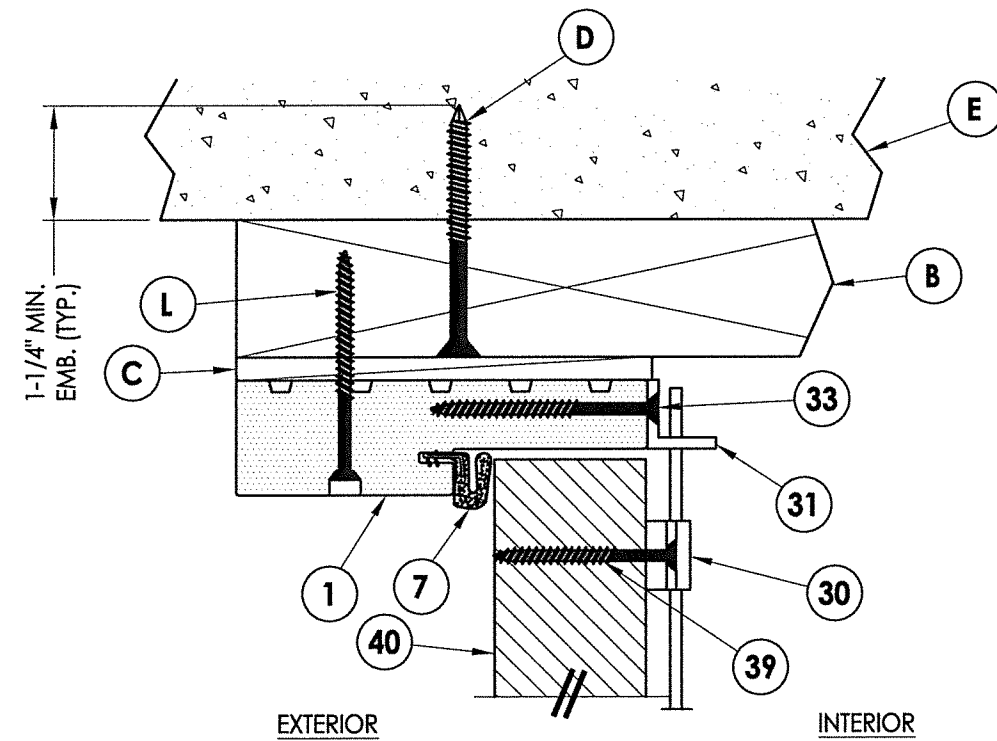
1 HORIZONTAL CROSS SECTION
5 Shown w/ 2X Buck
 Outswing shown (Inswing similar)



4 HORIZONTAL CROSS SECTION
5 Outswing shown (Inswing similar)

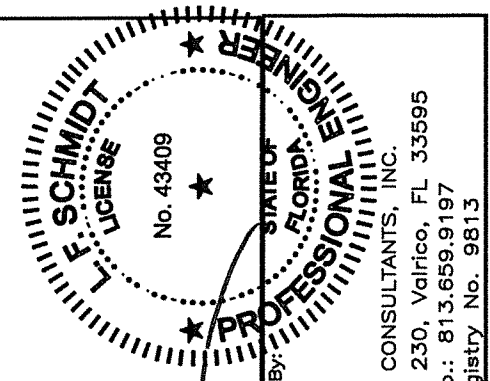


2 VERTICAL CROSS SECTION
5 Shown w/ 2X Buck
 Outswing shown



3 VERTICAL CROSS SECTION
5 Shown w/ 2X Buck
 Inswing shown

Note:
 1. Screws located 8" from each end of astragal plus four (3) more located @ 23", 37" & 48" down from the top of the astragal (5 screws total - countersink 3/16").



LFS

June 7, 2022

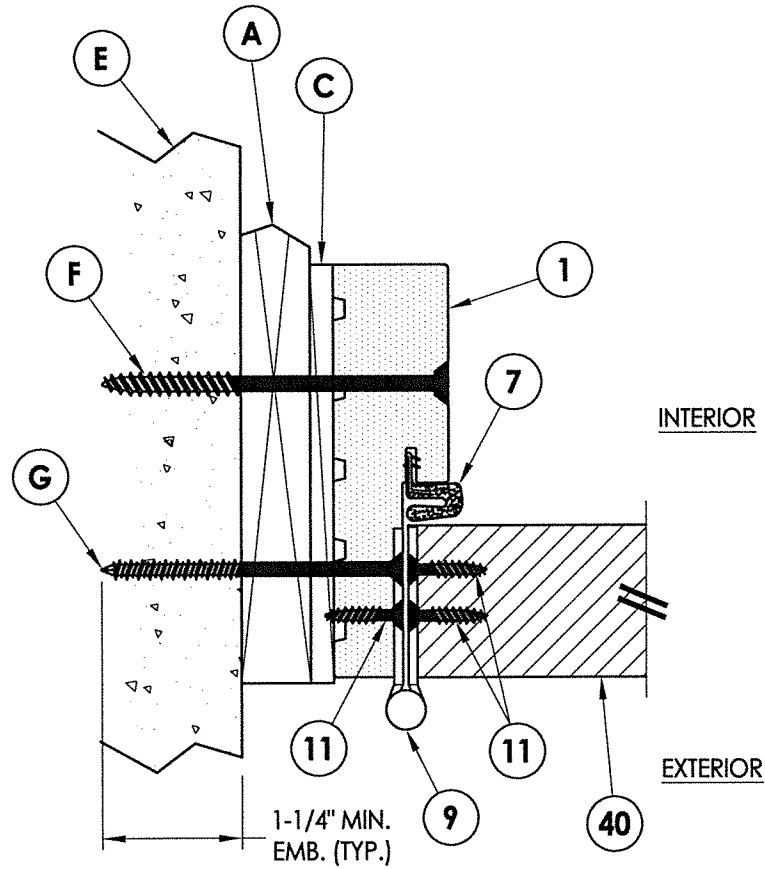
Documents Prepared By:
 Lyndon F. Schmidt
 P.E. No. 43409

RW BUILDING CONSULTANTS, INC.
 P.O. Box 230, Valrico, FL 33595
 Phone No.: 813.659.9197
 FBPE Registry No. 9813

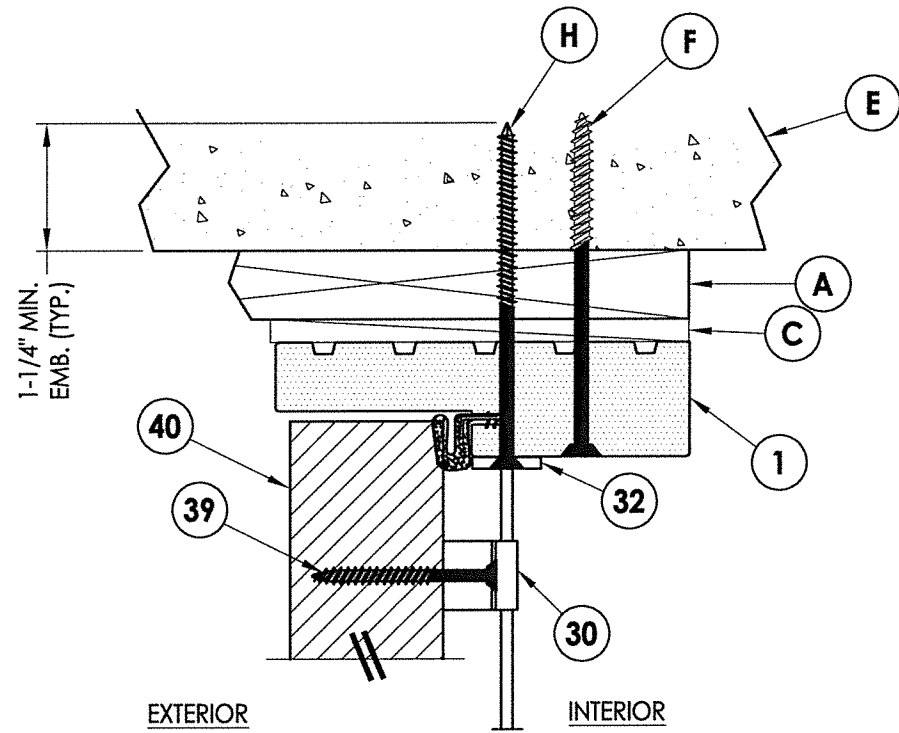
PRODUCT:	STEVES & SONS FIBERGLASS DOOR
PART OR ASSEMBLY:	HORIZONTAL & VERTICAL CROSS SECTIONS (2X BUCK)

NO.	DATE	BY	REVISIONS

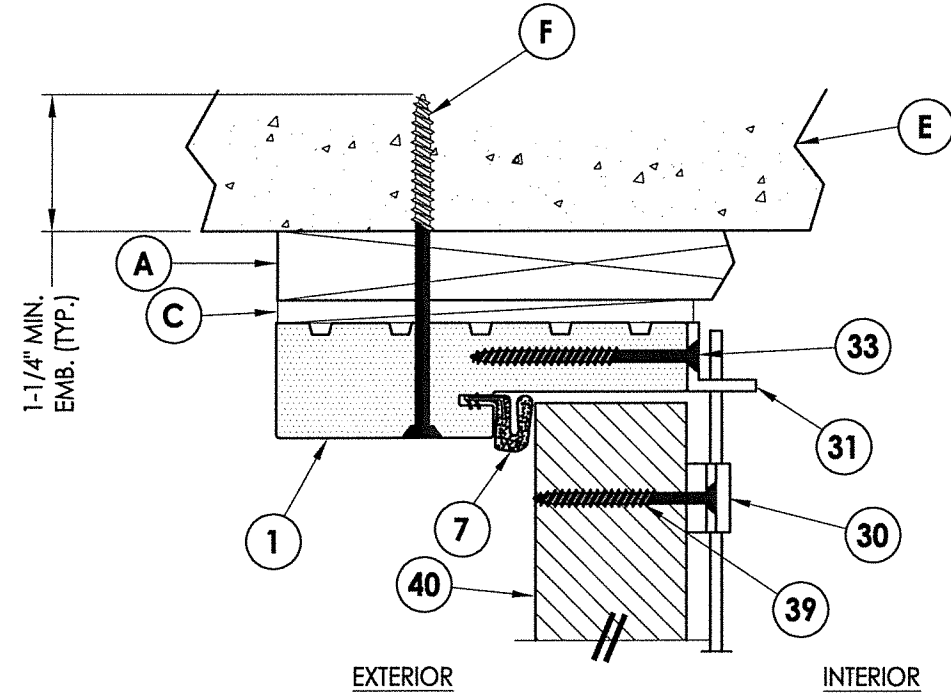
DATE:	3/10/22
SCALE:	N.T.S.
DWG. BY:	RW
CHK. BY:	LFS
DRAWING NO.:	FL-41467.7
SHEET	5 OF 10



1 HORIZONTAL CROSS SECTION
 6 Shown w/ 1X Buck
 Outswing shown (Inswing similar)



2 VERTICAL CROSS SECTION
 6 Shown w/ 1X Buck
 Outswing shown

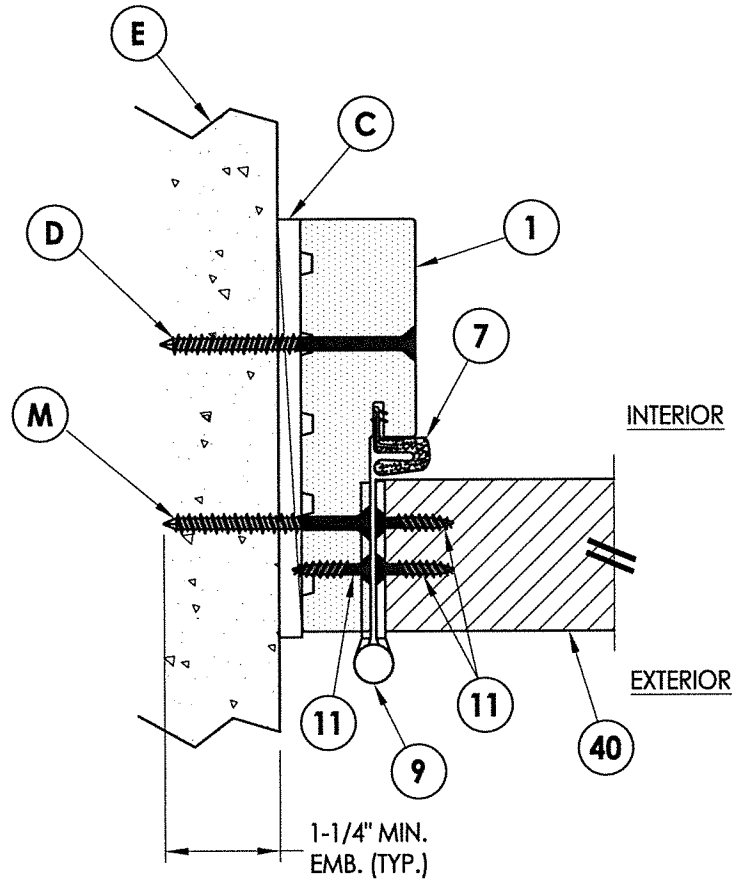


3 VERTICAL CROSS SECTION
 6 Shown w/ 1X Buck
 Inswing shown

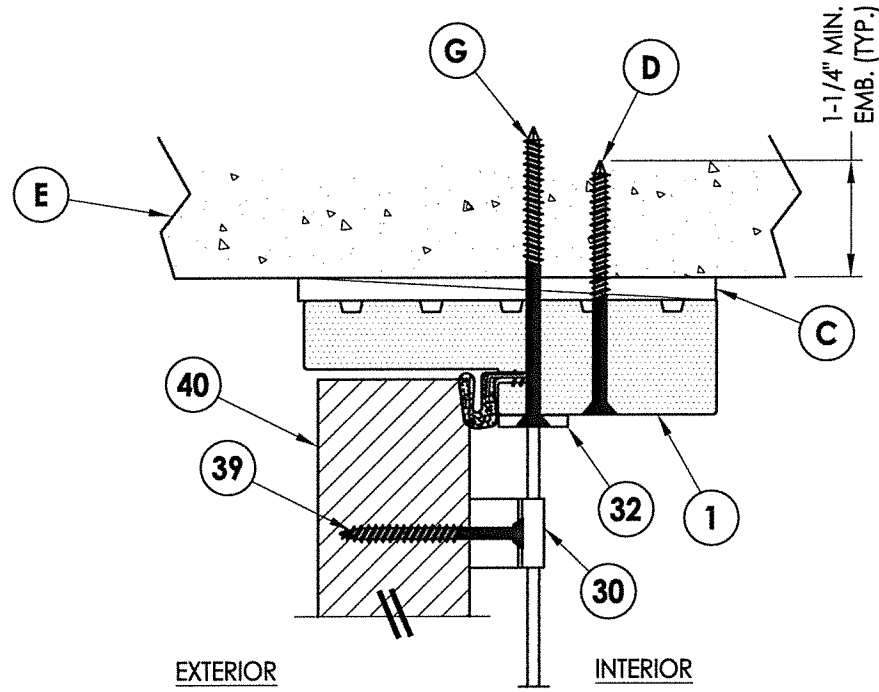
June 7, 2022
 Documents Prepared By:
 Lyndon F. Schmidt
 P.E. No. 43409

RW
 BUILDING CONSULTANTS, INC.
 P.O. Box 230, Valrico, FL 33595
 Phone No.: 813.659.9197
 FBPE Registry No. 9813

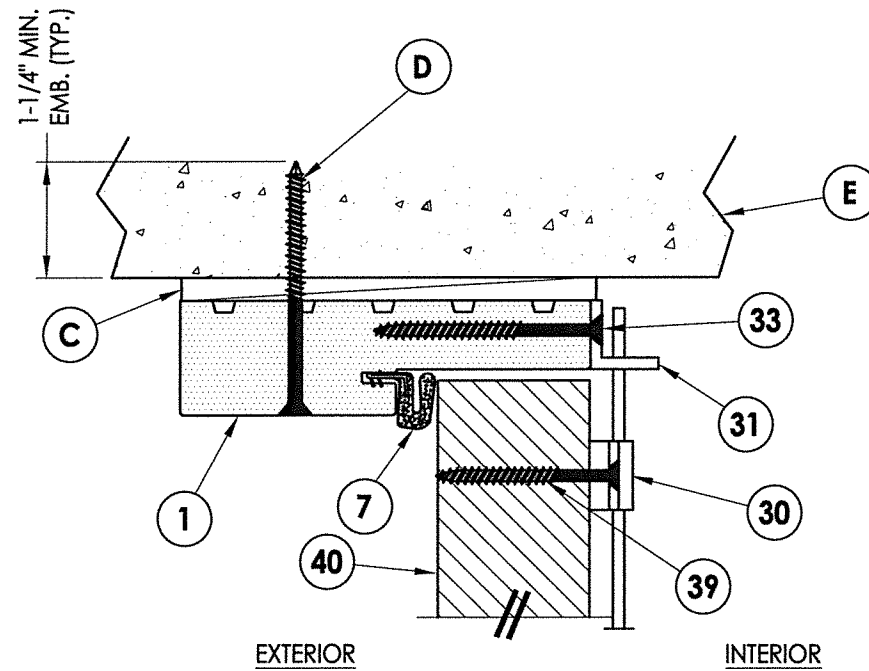
PRODUCT:	STEVES & SONS FIBERGLASS DOOR	
PART OR ASSEMBLY:	HORIZONTAL & VERTICAL CROSS SECTIONS (1X BUCK)	
NO.	DATE	BY
REVISIONS		
DATE: 3/10/22		
SCALE: N.T.S.		
DWG. BY: RW		
CHK. BY: LFS		
DRAWING NO.:		
FL-41467.7		
SHEET 6 OF 10		



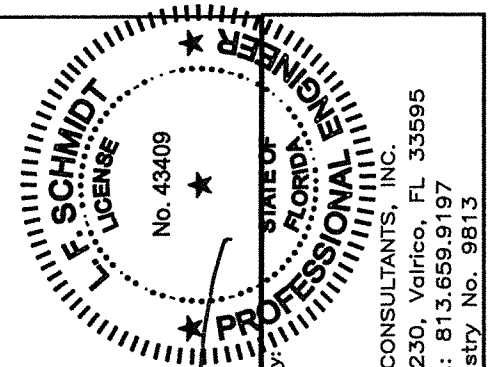
1 HORIZONTAL CROSS SECTION
7 Shown Direct to Masonry
Outswing shown (Inswing similar)



2 VERTICAL CROSS SECTION
7 Shown Direct to Masonry
Outswing shown



3 VERTICAL CROSS SECTION
7 Shown Direct to Masonry
Inswing shown



LFS

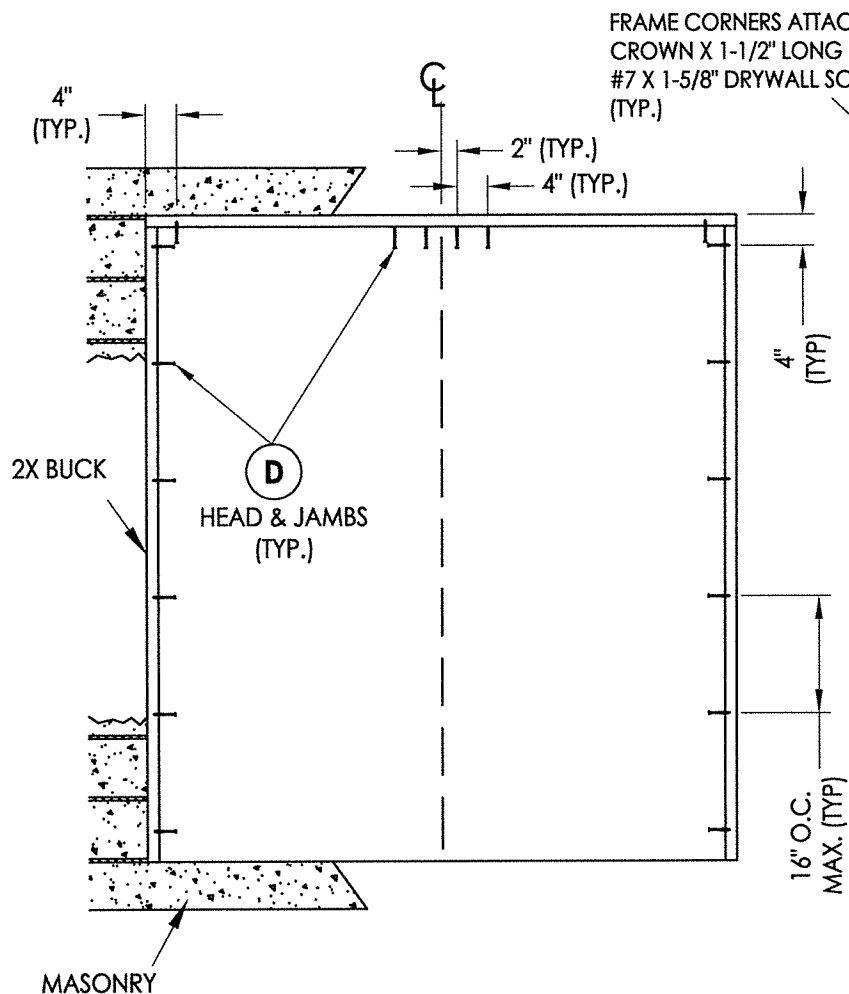
June 7, 2022

Documents Prepared By:
Lyndon F. Schmidt
P.E. No. 43409

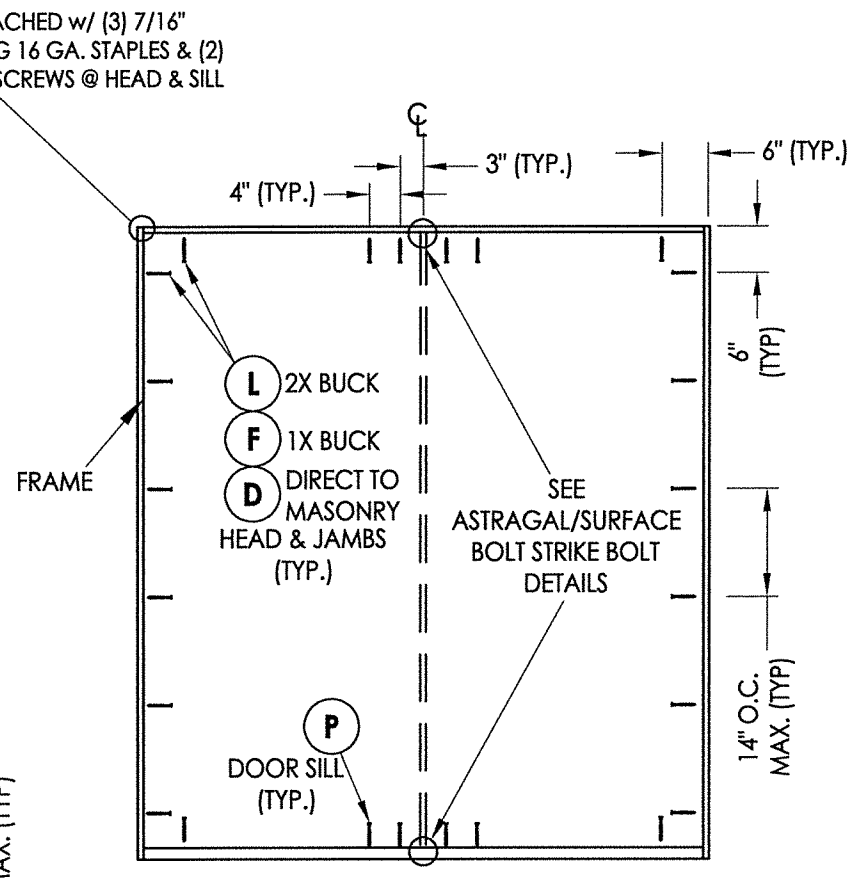
RW
BUILDING CONSULTANTS, INC.
P.O. Box 230, Valrico, FL 33595
Phone No.: 813.659.9197
FBPE Registry No. 9813

PRODUCT:		STEVE'S & SONS FIBERGLASS DOOR	
PART OR ASSEMBLY:		HORIZONTAL & VERTICAL CROSS SECTIONS (DIRECT TO MASONRY)	
NO.	DATE	BY	
REVISIONS			
DATE: 3/10/22			
SCALE: N.T.S.			
DWG. BY: RW			
CHK. BY: LFS			
DRAWING NO.: FL-41467.7			
SHEET 7 OF 10			

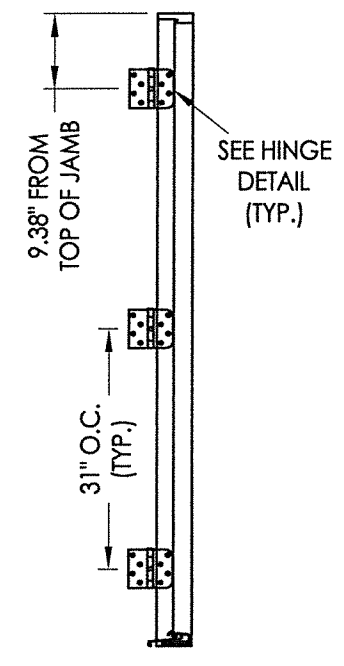
Z:\Clients\Steves and Sons - Permanent\A - Florida Product Approvals\FL-41467 REGENCY SERIES\C - Drawings\FL-41467 (2020)\FL-41467.7.dwg



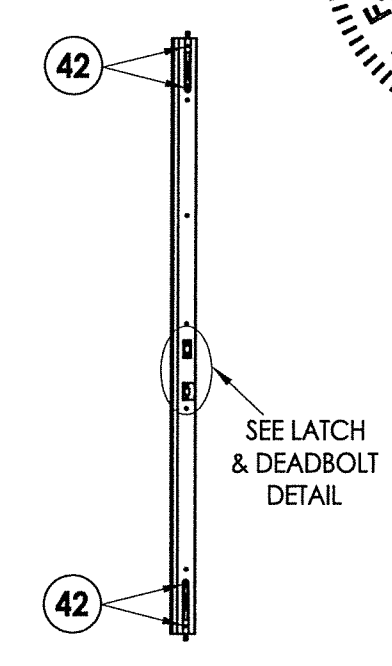
2X BUCK ANCHORING



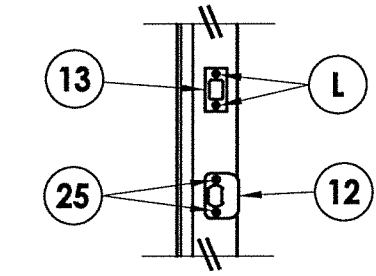
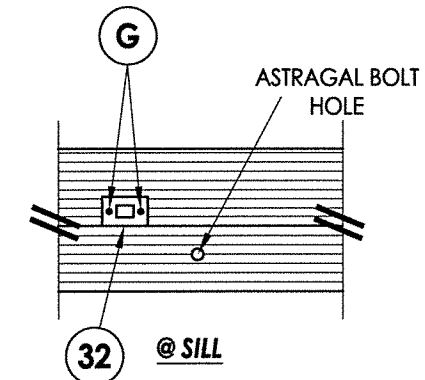
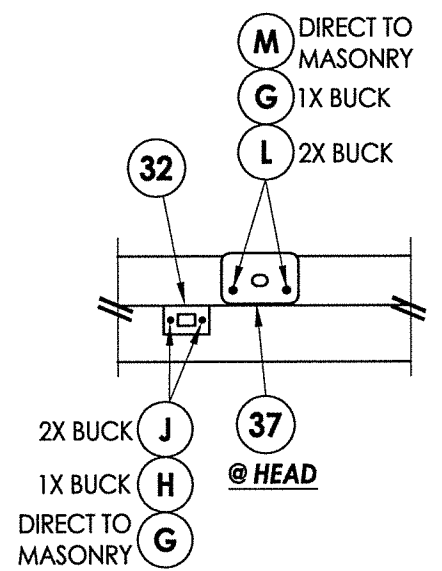
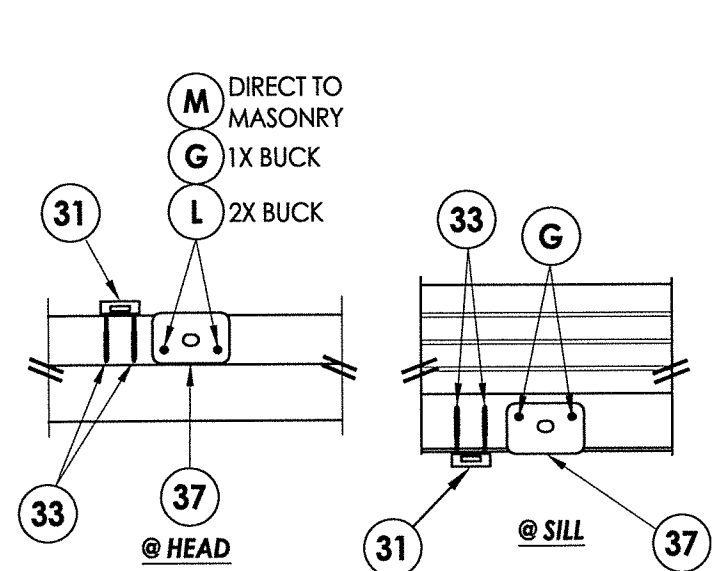
FRAME ANCHORING



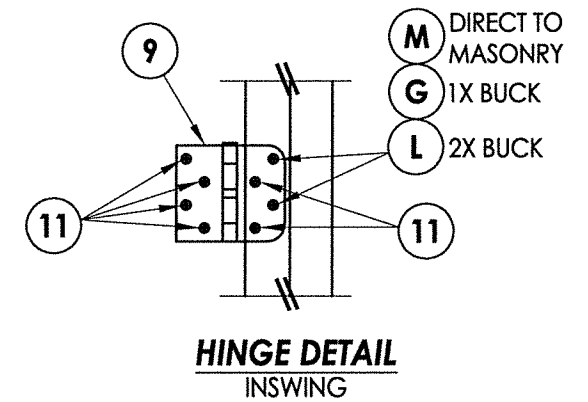
HINGE JAMB



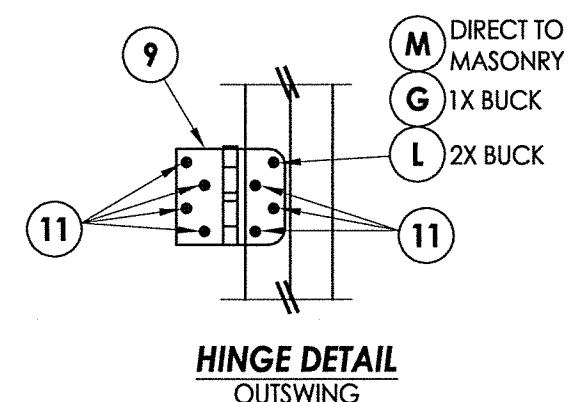
COMPOSITE ASTRAGAL
7" STEEL FLIP LOCK FLUSHBOLT (5/16" Ø)
@ EACH END OF ASTRAGAL



LATCH & DEADBOLT DETAIL



HINGE DETAIL
INSWING



HINGE DETAIL
OUTSWING

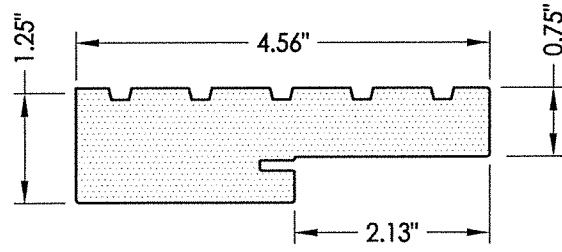
HARDWARE DETAILS

June 7, 2022
 Documents Prepared By:
 Lyndon F. Schmidt
 P.E. No. 43409
 RW BUILDING CONSULTANTS, INC.
 P.O. Box 230, Valrico, FL 33595
 Phone No.: 813.659.9197
 FBPE Registry No. 9813

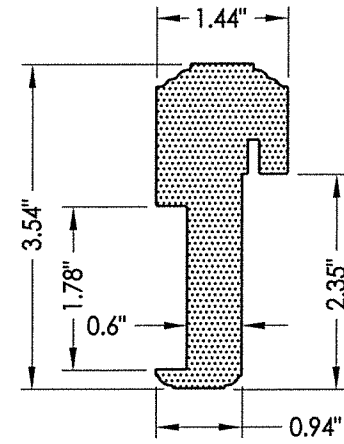
PRODUCT:	STEVES & SONS FIBERGLASS DOOR	
PART OR ASSEMBLY:	BUCK & FRAME ANCHORING & HARDWARE DETAILS	
NO.	DATE	BY
		REVISIONS
DATE:	3/10/22	
SCALE:	N.T.S.	
DWG. BY:	RW	
CHK. BY:	LFS	
DRAWING NO.:	FL-41467.7	
SHEET	9 of 10	

© 2022 R.W. BUILDING CONSULTANTS INC.

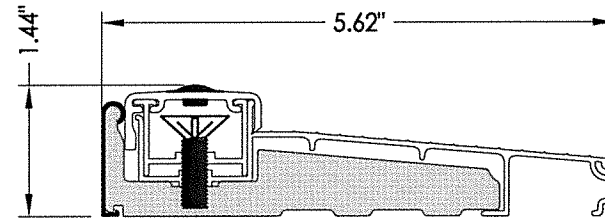
BILL OF MATERIALS		
ITEM #	DESCRIPTION	MATERIAL
A	1X BUCK (G >= 0.42)	WOOD
B	2X BUCK (G >= 0.42)	WOOD
C	1/4" MAX. SHIM SPACE	-
D	1/4" X 2-3/4" PFH DeWALT OR ITW CONCRETE SCREW	STEEL
E	MASONRY - 3,000 PSI MIN. CONCRETE CONFORMING TO ACI 301 OR HOLLOW BLOCK CONFORMING TO ASTM C90	CONCRETE
F	1/4" X 3-3/4" PFH DeWALT OR ITW CONCRETE SCREW	STEEL
G	3/16" X 3-1/4" PFH ITW CONCRETE SCREW	STEEL
H	3/16" X 3-3/4" PFH ITW CONCRETE SCREW	STEEL
J	#10 X 3" PFH WOOD SCREW	STEEL
L	#10 X 2-1/2" PFH WOOD SCREW (1.15" MIN. EMB.)	STEEL
M	3/16" X 2-1/4" PFH ITW CONCRETE SCREW	STEEL
P	1/4" X 2-1/4" PFH DeWALT OR ITW CONCRETE SCREW	STEEL
1	COMPOSITE JAMB	COMP
7	WEATHERSTRIP	FOAM
8	SWEEP	VINYL
9	4" X 4" HINGE	STEEL
11	#9 X 3/4" PFH WOOD SCREW	STEEL
12	LATCH STRIKE PLATE	STEEL
13	DEADBOLT STRIKE PLATE	STEEL
14	INSWING THRESHOLD	ALUM/COMP
15	OUTSWING THRESHOLD	ALUM/COMP
25	#8 X 2-1/2" PFH WOOD SCREW	STEEL
27	#10 X 2" PFH SMS	STEEL
29	#10 X 3" FH COMPOSITE DECK SCREW	STEEL
30	8" SURFACE BOLT (HAGER 275D)	STEEL
31	SURFACE BOLT GUIDE PLATE	STEEL
32	SURFACE BOLT STRIKE PLATE	STEEL
33	#10 X 2-1/2" PFH WOOD SCREW	STEEL
37	ASTRAGAL STRIKE PLATE	STEEL
38	ASTRAGAL (COMPOSITE)	COMP
39	#10 X 2" FH SMS	STEEL
40	DOOR PANEL	-
41	#7 X 1-5/8" DRYWALL SCREWS	STEEL
42	#8 X 2-1/2" FH SMS	STEEL



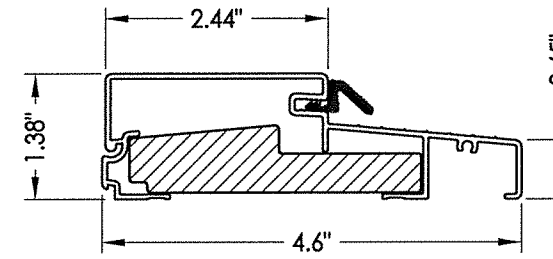
1 COMPOSITE JAMB
WORLDWIDE "4EVER"



38 COMPOSITE ASTRAGAL



14 INSWING THRESHOLD
Columbia



15 OUTSWING THRESHOLD
Columbia

CONCRETE ANCHOR NOTES:

- Concrete anchor locations at the comers may be adjusted to maintain the min. edge distance to mortar joints.
- Concrete anchor locations noted as "MAX. ON CENTER" must be adjusted to maintain the min. edge distance to mortar joints, additional concrete anchors may be required to ensure the "MAX. ON CENTER" dimension are not exceeded.
- Concrete anchor table:

ANCHOR TYPE	ANCHOR SIZE	MIN. EMBEDMENT	MIN. CLEARANCE TO MASONRY EDGE	MIN. CLEARANCE TO ADJACENT ANCHOR
ITW BUILDEX	3/16"	1-1/4"	3"	1-1/2"
TAPCON®	1/4"	1-1/4"	2"	4"
DeWALT ULTRACON+	1/4"	1-1/4"	1"	4"

WOOD SCREW INSTALLATION NOTES:

- Maintain a minimum 5/8" edge distance, 1" end distance, & 1" o.c. spacing of wood screws to prevent the splitting of wood.

June 7, 2022
 Documents Prepared By:
 Lyndon F. Schmidt
 P.E. No. 43409

RW
 BUILDING CONSULTANTS, INC.
 P.O. Box 230, Valrico, FL 33595
 Phone No.: 813.659.9197
 FBPE Registry No. 9813

PRODUCT: STEVES & SONS FIBERGLASS DOOR	PART OR ASSEMBLY: BILL OF MATERIALS & COMPONENTS
REVISIONS	NO. DATE BY
DATE: 3/10/22 SCALE: N.T.S. DWG. BY: RW CHK. BY: LFS DRAWING NO.: FL-41467.7 SHEET 10 OF 10	