

# STEVE'S AND SONS

203 Humble Ave.  
San Antonio, TX 78225

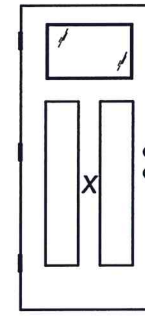
## DIRECT GLAZED FIBERGLASS DOOR SINGLE w/ or w/out SIDELITE(S) IN SWING/OUT SWING "NON-IMPACT"

### GENERAL NOTES

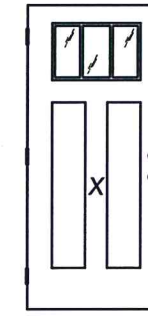
1. This product has been evaluated and is in compliance with the 7th Edition (2020) Florida Building Code (FBC) structural requirements excluding the "High Velocity Hurricane Zone" (HVHZ).
2. Product anchors shall be as listed and spaced as shown on details. Anchor embedment to base material shall be beyond wall dressing or stucco.
3. When used in areas requiring wind borne debris protection this product is required to be protected with an impact resistant covering that complies with FBC Sections 1609.1.2 & R301.2.1.2 of the FBC.
4. For 2x stud framing construction, anchoring of these units shall be the same as that shown for 2x buck masonry construction.
5. Site conditions that deviate from the details of this drawing require further engineering analysis by a licensed engineer or registered architect.

### TABLE OF CONTENTS

SHEET #	DESCRIPTION	SHEET #	
1	Typical Elevations, Design Pressures & General Notes	8	Horizontal & Vertical Cross Sections (1X Buck)
2	Door Panel Details	9	Horizontal & Vertical Cross Sections (Direct to Masonry)
3	Sidelite Panel Details	10	Vertical Cross Sections
4	Door Panel Options	11	Buck Anchoring
5	Elevations	12	Frame Anchoring & Hardware Details
6	Horizontal Cross Sections	13	Bill of Materials & Components
7	Horizontal & Vertical Cross Sections (2X Buck)		

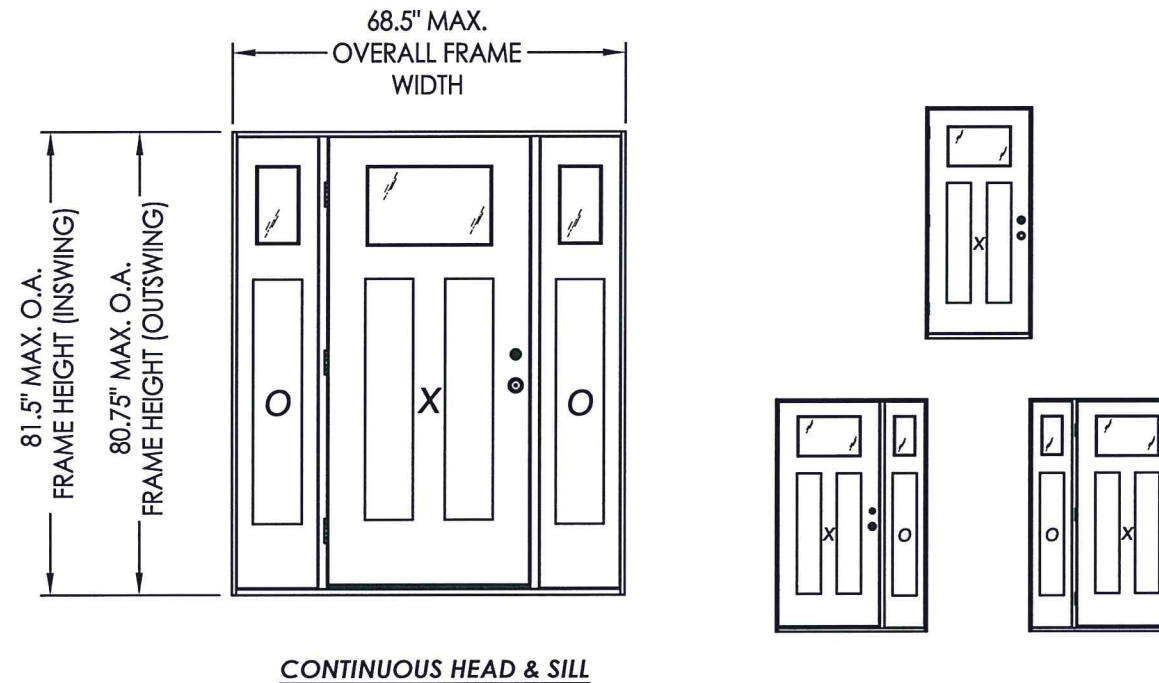


1/4 LITE



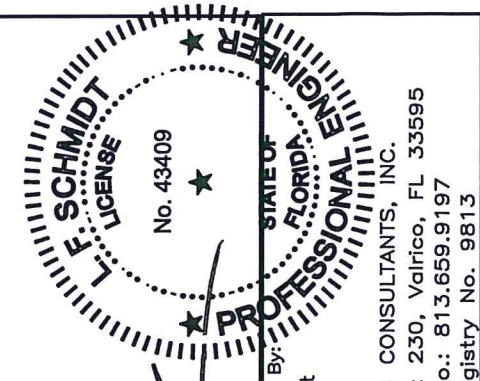
1/4 LITE 3 LITE

### REGENCY HORIZON 1/4 LITE



CONTINUOUS HEAD & SILL

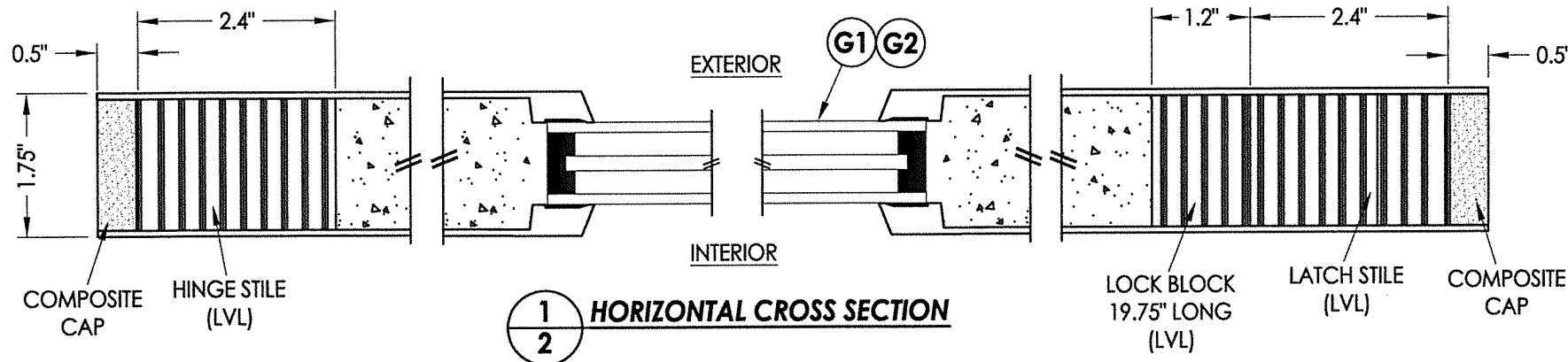
CONFIGURATION	MAX. FRAME DIMENSION	DESIGN PRESSURE (PSF) INSWING		DESIGN PRESSURE (PSF) OUTSWING	
		POSITIVE	NEGATIVE	POSITIVE	NEGATIVE
X	37.5" x 81.5"	+65.0	-65.0	+65.0	-65.0
XO, OX, OXO	68.5" x 81.5"	+45.0	-45.0	+45.0	-45.0



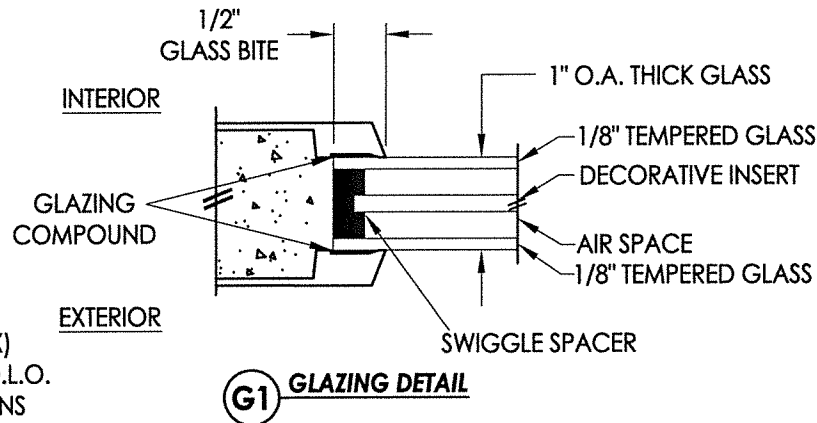
June 7, 2022  
 Documents Prepared By:  
 Lyndon F. Schmidt  
 P.E. No. 43409  
 BUILDING CONSULTANTS, INC.  
 P.O. Box 230, Valrico, FL 33595  
 Phone No.: 813.659.9197  
 FBPE Registry No. 9813

PRODUCT:	STEVE'S & SONS FIBERGLASS DOOR
PART OR ASSEMBLY:	TYPICAL ELEVATION, DESIGN PRESSURES & GENERAL NOTES
NO.	DATE
BY	REVISIONS
DATE: 3/10/22	
SCALE: N.T.S.	
DWG. BY: RW	
CHK. BY: LFS	
DRAWING NO.: FL-41467.6	
SHEET 1 of 13	

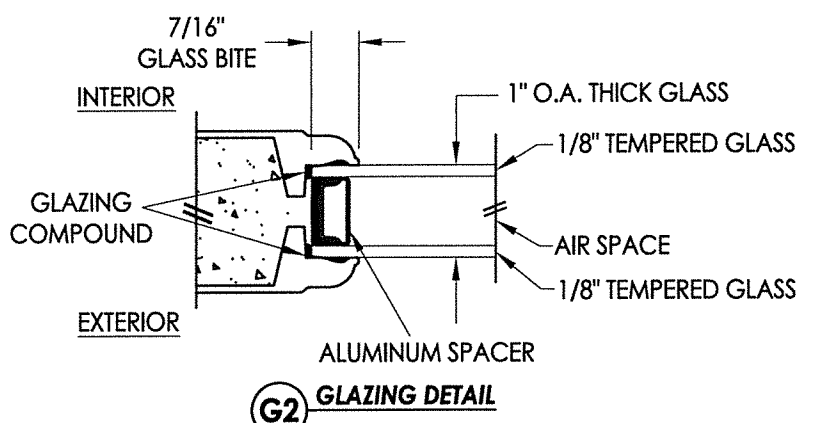
Z:\Clients\Steves and Sons - Permanent\A - Florida Product Approvals\FL-41467 REGENCY SERIES\C - Drawings\FL-41467-1\41467.6.dwg



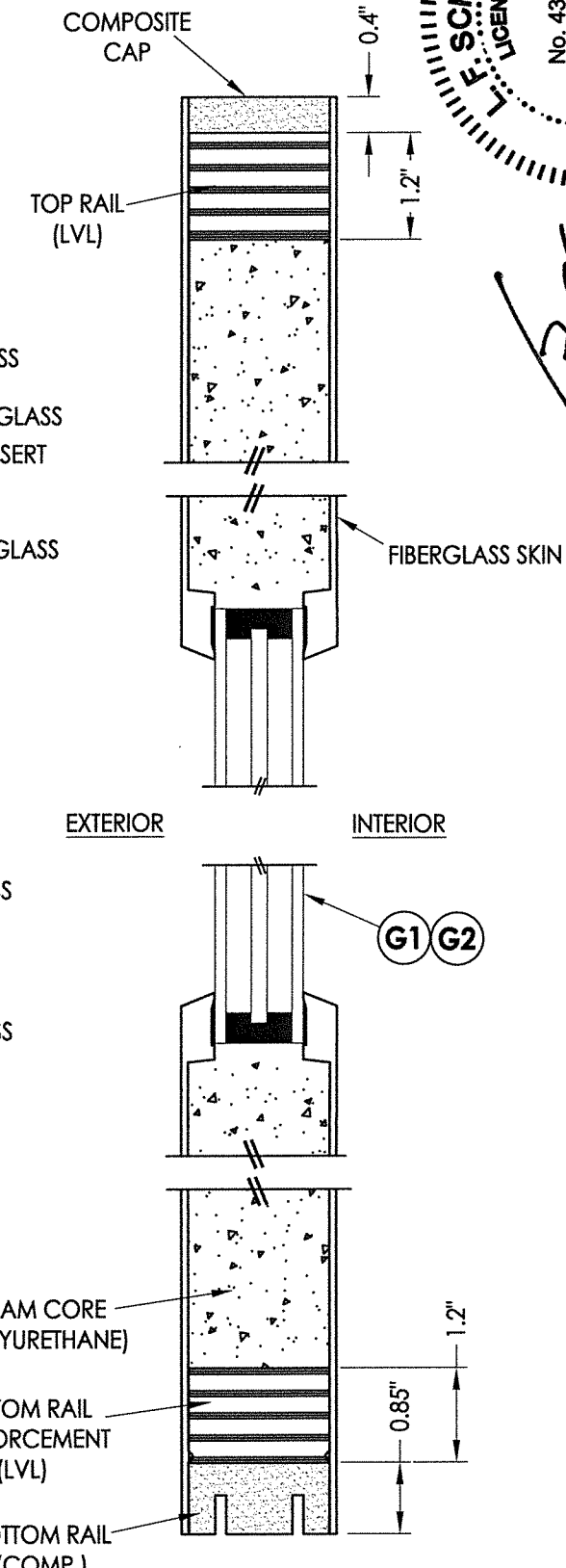
**1**  
**2** HORIZONTAL CROSS SECTION



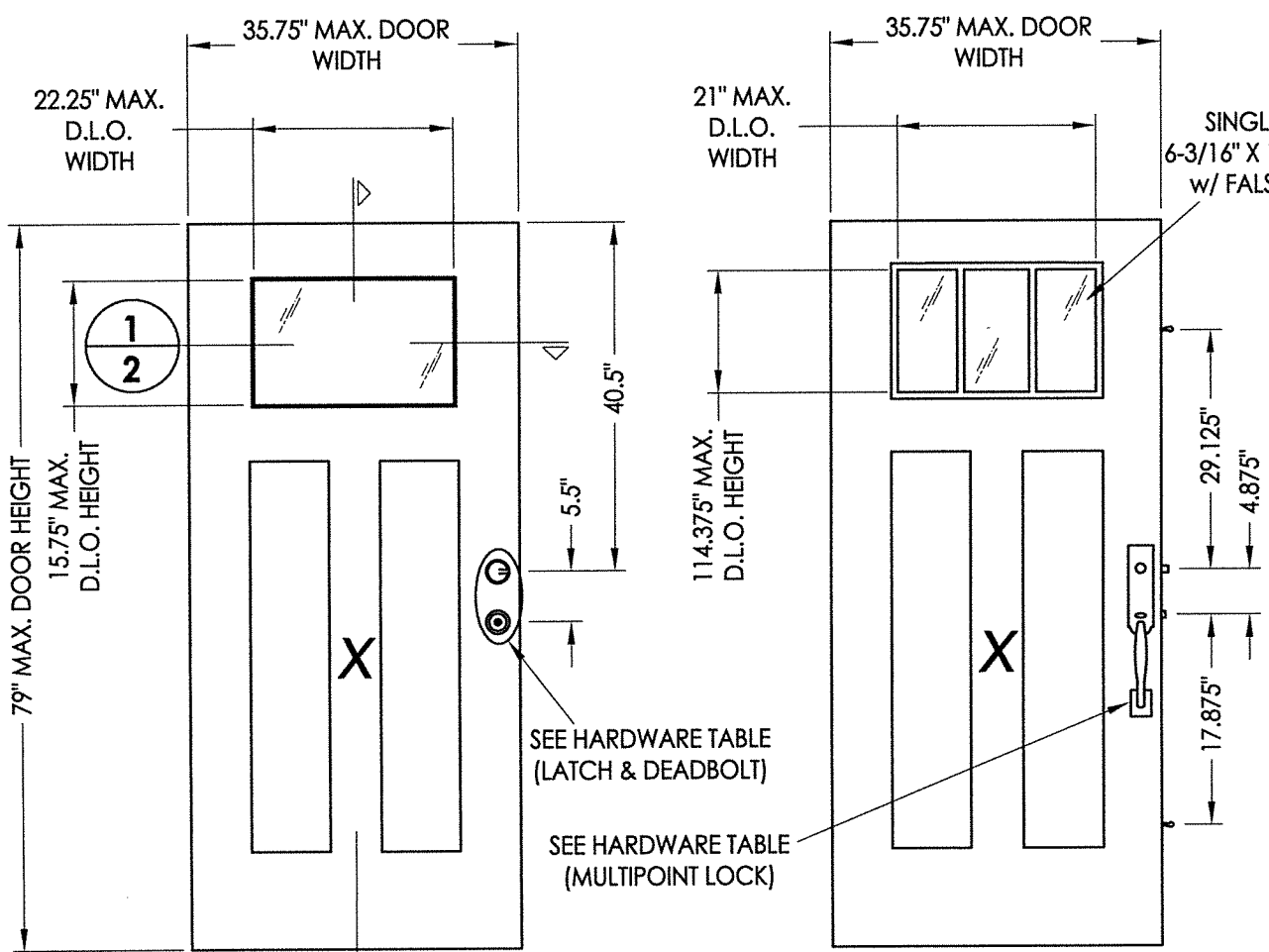
**G1** GLAZING DETAIL



**G2** GLAZING DETAIL



**2**  
**2** VERTICAL CROSS SECTION



**40** FIBERGLASS DOOR PANEL  
1/4 LITE

**40** FIBERGLASS DOOR PANEL  
1/4 LITE 3 LITE

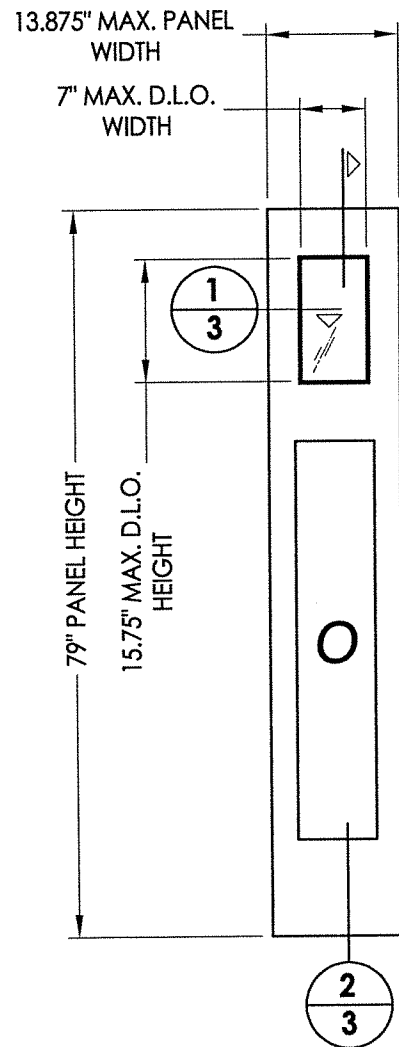
HARDWARE TABLE		
MANUFACTURER	MODEL	
KWIKSET	LATCH:	SIGNATURE SERIES
	DEADBOLT:	SIGNATURE SERIES (980)
SCHLAGE	LATCH:	F51
	DEADBOLT:	B60N
ROCKWELL	LATCH:	PREMIUM HANDLESET
	DEADBOLT:	PREMIUM DEADBOLT
ROCKWELL	PREMIUM MULTIPOINT HANDLESET w/ DEADLOCKING TONGUE MULTIPOINT LOCK	

FIBERGLASS DOOR SKIN: MIN. 0.08\"/>

June 7, 2022  
 Documents Prepared By: Lyndon F. Schmidt  
 P.E. No. 43409  
 RW BUILDING CONSULTANTS, INC.  
 P.O. Box 230, Valrico, FL 33595  
 Phone No.: 813.659.9197  
 FBPE Registry No. 9813

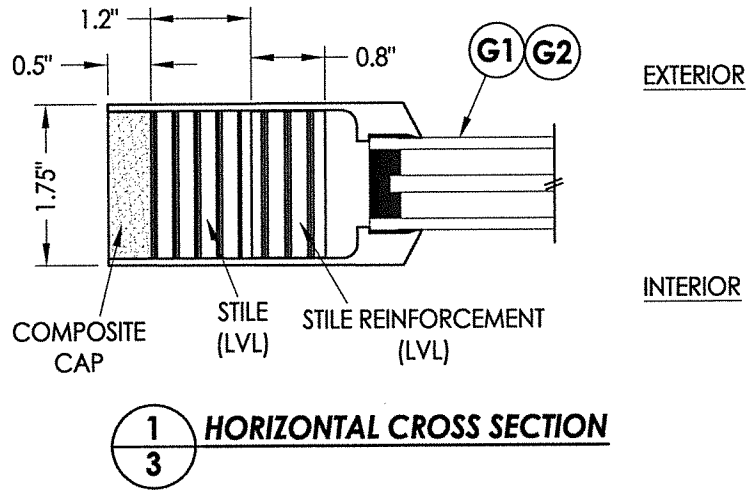
PRODUCT:	STEVES & SONS FIBERGLASS DOOR
PART OR ASSEMBLY:	DOOR PANEL DETAILS
NO.	DATE
BY	REVISIONS
DATE:	3/10/22
SCALE:	N.T.S.
DWG. BY:	RW
CHK. BY:	LFS
DRAWING NO.:	FL-41467.6
SHEET	2 OF 13

© 2022 R.W. BUILDING CONSULTANTS INC.

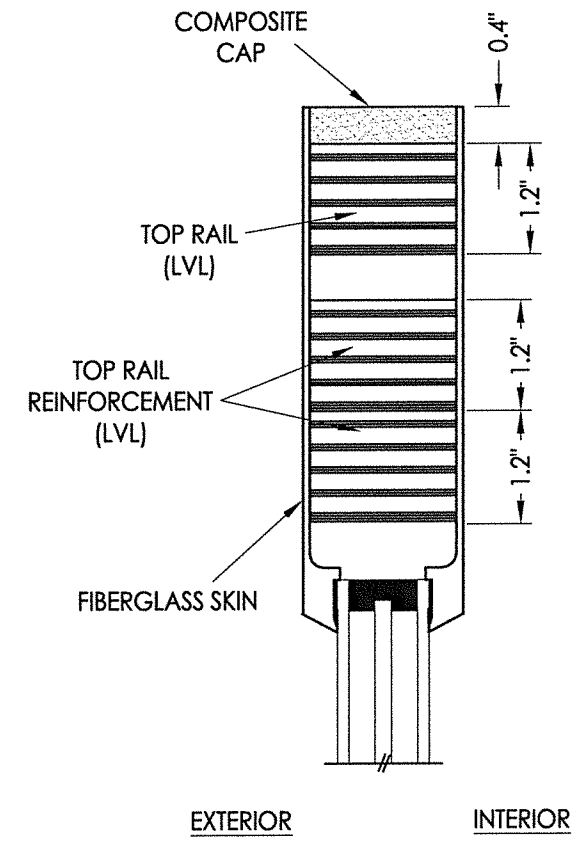


**50 FIBERGLASS SIDELITE PANEL**

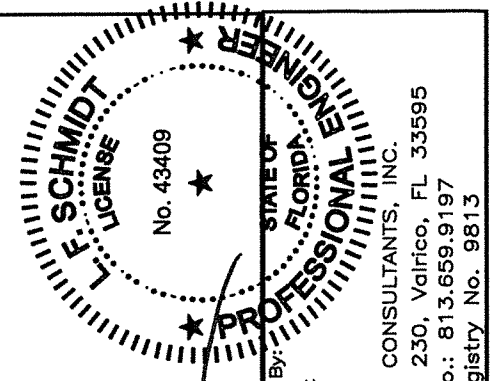
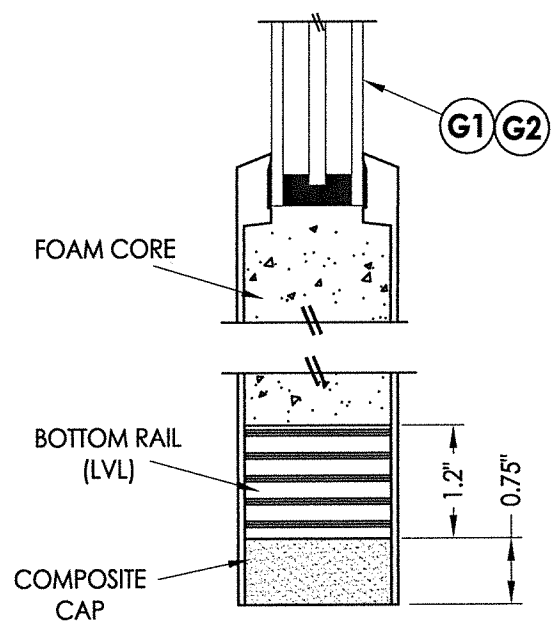
FIBERGLASS SKIN: 0.08" MIN. THK.  
 FOAM CORE: POLYURETHANE - 1.9 PCF MIN.)



**1 HORIZONTAL CROSS SECTION**

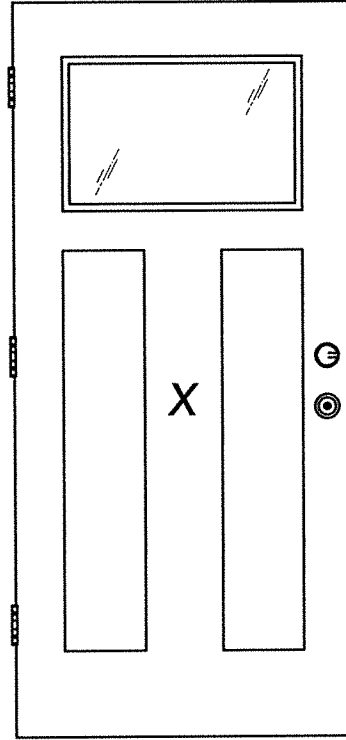


**2 VERTICAL CROSS SECTION**

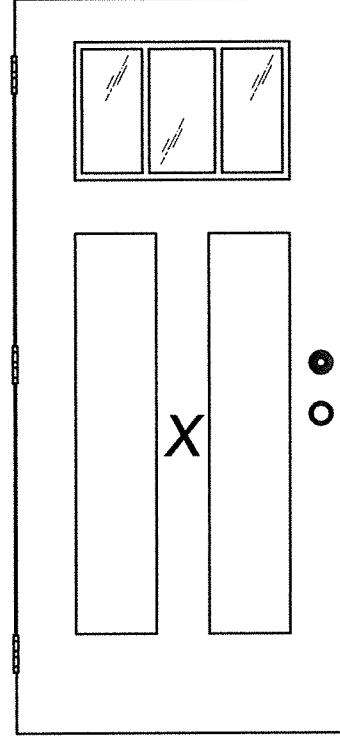


June 7, 2022  
 Documents Prepared By:  
 Lyndon F. Schmidt  
 P.E. No. 43409  
 RW  
 BUILDING CONSULTANTS, INC.  
 P.O. Box 230, Valrico, FL 33595  
 Phone No.: 813.659.9197  
 FBPE Registry No. 9813

PRODUCT:		STEVES & SONS FIBERGLASS DOOR	
PART OR ASSEMBLY:		SIDELITE PANEL DETAILS	
NO.	DATE	BY	REVISIONS
DATE: 3/10/22			
SCALE: N.T.S.			
DWG. BY: RW			
CHK. BY: LFS			
DRAWING NO.: FL-41467.6			
SHEET 3 OF 13			

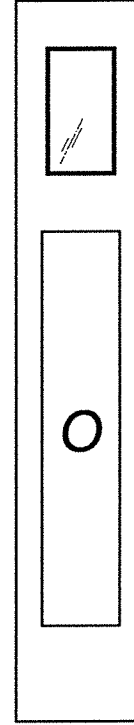


1/4 LITE



1/4 LITE 3 LITE

**REGENCY HORIZON 1/4 LITE**

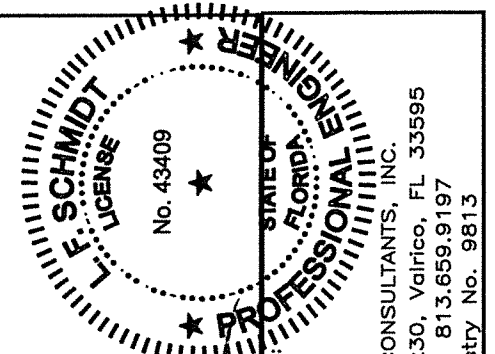



1/4 LITE



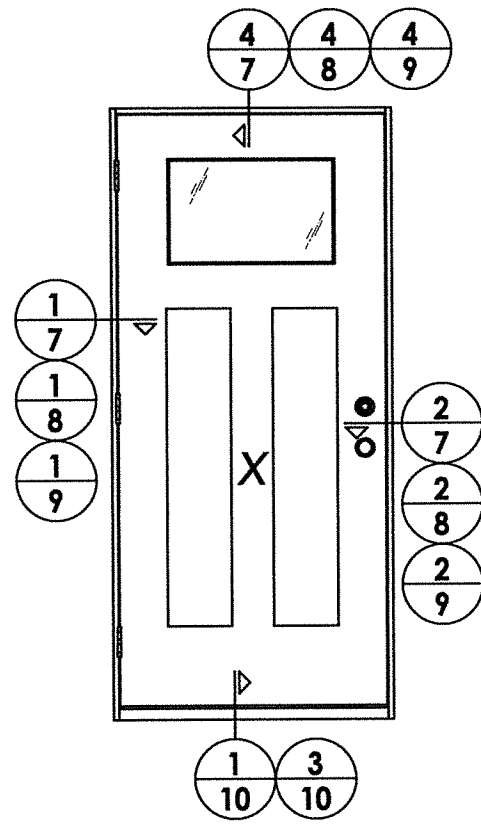
1/4 LITE 1 LITE

**REGENCY SIDELITE**

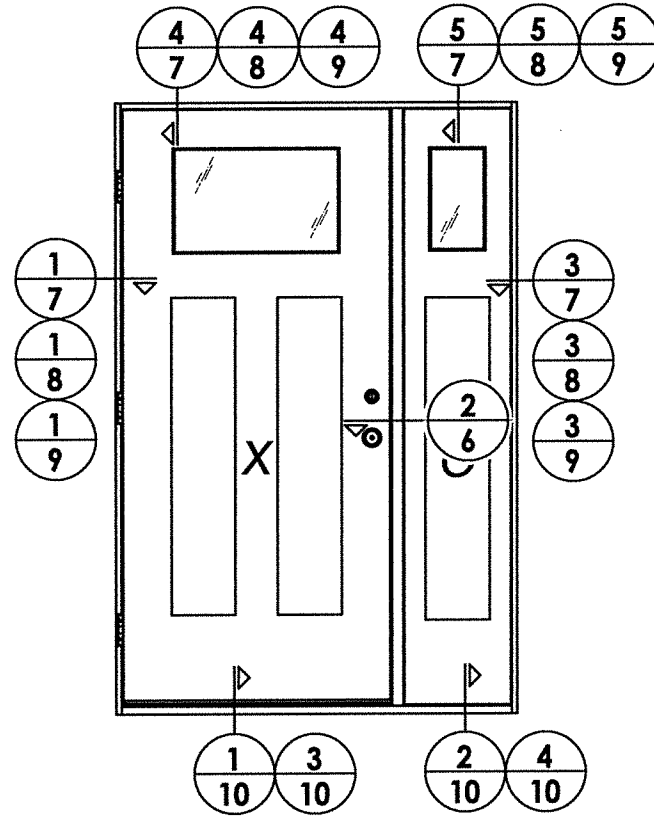


  
 June 7, 2022  
 Documents Prepared By:  
 Lyndon F. Schmidt  
 P.E. No. 43409  
 R.W.  
 BUILDING CONSULTANTS, INC.  
 P.O. Box 230, Valrico, FL 33595  
 Phone No.: 813.659.9197  
 FBPE Registry No. 9813

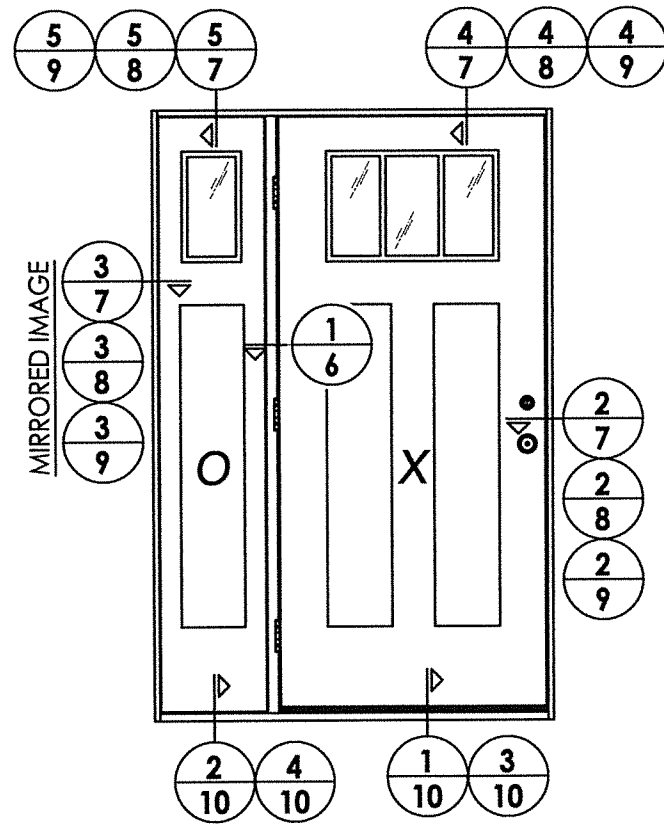
PRODUCT: STEVES & SONS FIBERGLASS DOOR	
PART OR ASSEMBLY: DOOR PANLE OPTIONS	
NO.	DATE
BY	REVISIONS
DATE: 3/10/22	
SCALE: N.T.S.	
DWG. BY: RW	
CHK. BY: LFS	
DRAWING NO.: FL-41467.6	
SHEET 4 OF 13	



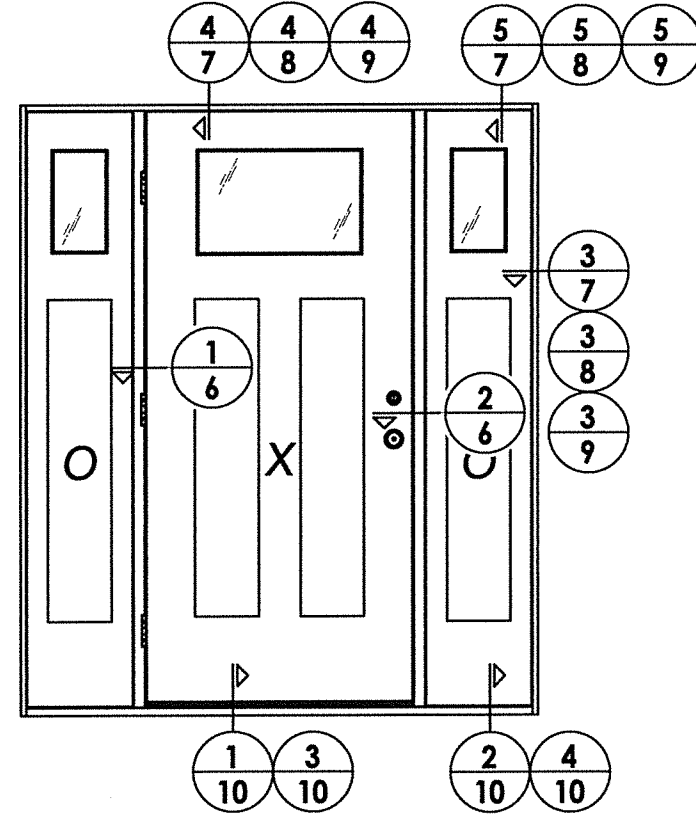
ELEVATION  
X



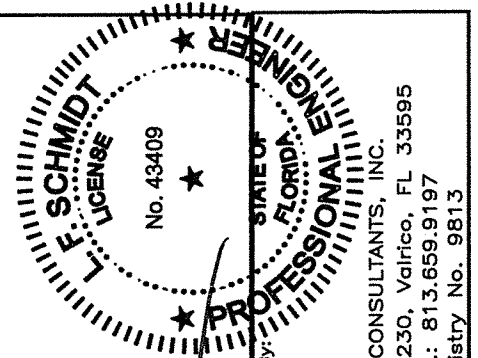
ELEVATION  
XO / OX



ELEVATION  
OX / XO  
(CENTER HINGED)



ELEVATION  
OXO



*F. Schmidt*  
June 7, 2022

Documents Prepared By:  
Lyndon F. Schmidt  
P.E. No. 43409  
*RW*  
BUILDING CONSULTANTS, INC.  
P.O. Box 230, Valrico, FL 33595  
Phone No.: 813.659.9197  
FBPE Registry No. 9813

PRODUCT:	STEVES & SONS FIBERGLASS DOOR
PART OR ASSEMBLY:	ELEVATIONS

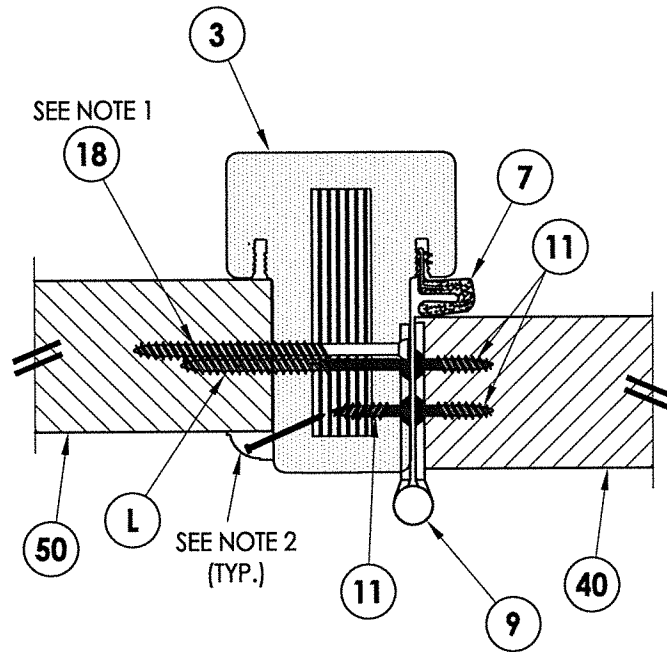
NO.	DATE	BY	REVISIONS

DATE: 3/10/22  
SCALE: N.T.S.  
DWG. BY: RW  
CHK. BY: LFS  
DRAWING NO.: FL-41467.6  
SHEET 5 OF 13

Z:\Clients\Steves and Sons - Permanent\A - Florida Product Approvals\FL-41467 REGENCY SERIES\C - Drawings\FL-41467 (2020)\FL-41467.6.dwg

**NOTES:**

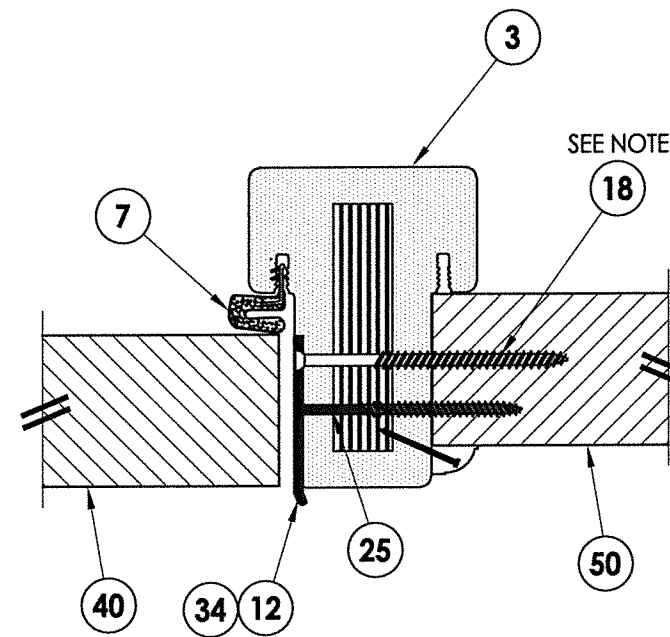
1. Sidelite assembly screws located @ 3" & 19" from each end of mullion (4 total).
2. Moulding secured w/ 16 GA. X 1" brad nails located 1" from ends & 6" o.c. max.



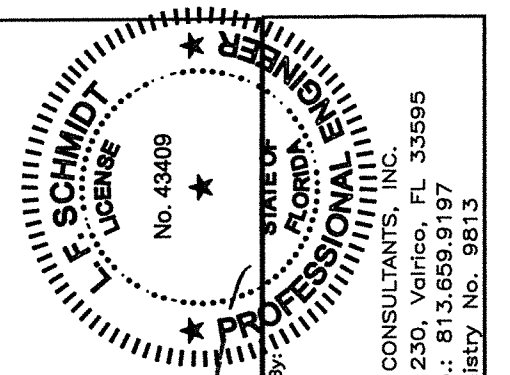
**1** HORIZONTAL CROSS SECTION  
**6** Outswing shown (Inswing similar)

INTERIOR

EXTERIOR



**2** HORIZONTAL CROSS SECTION  
**6** Outswing shown (Inswing similar)



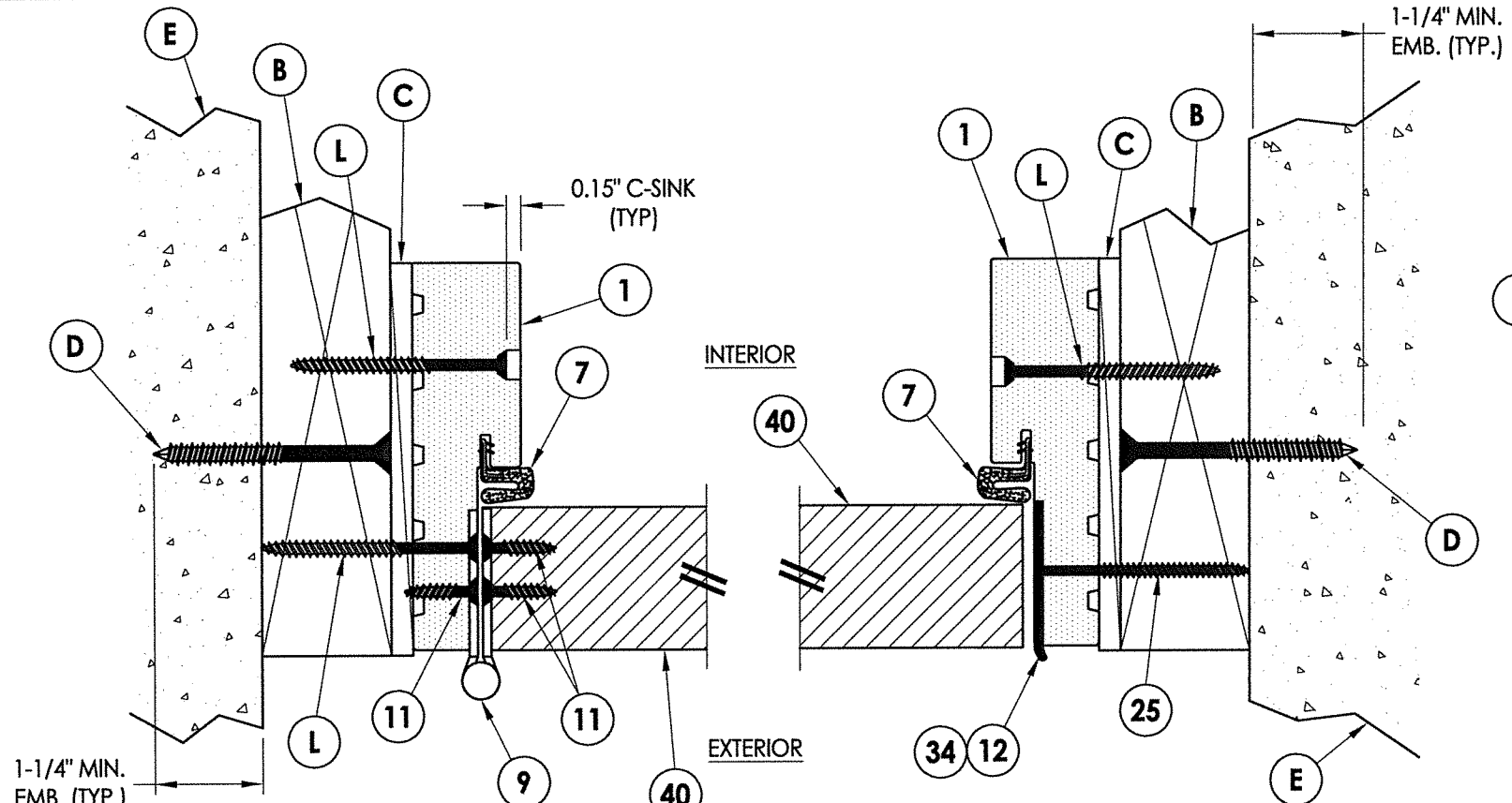
June 7, 2022

Documents Prepared By:  
 Lyndon F. Schmidt  
 P.E. No. 43409

*RW* BUILDING CONSULTANTS, INC.  
 P.O. Box 230, Valrico, FL 33595  
 Phone No.: 813.659.9197  
 FBPE Registry No. 9813

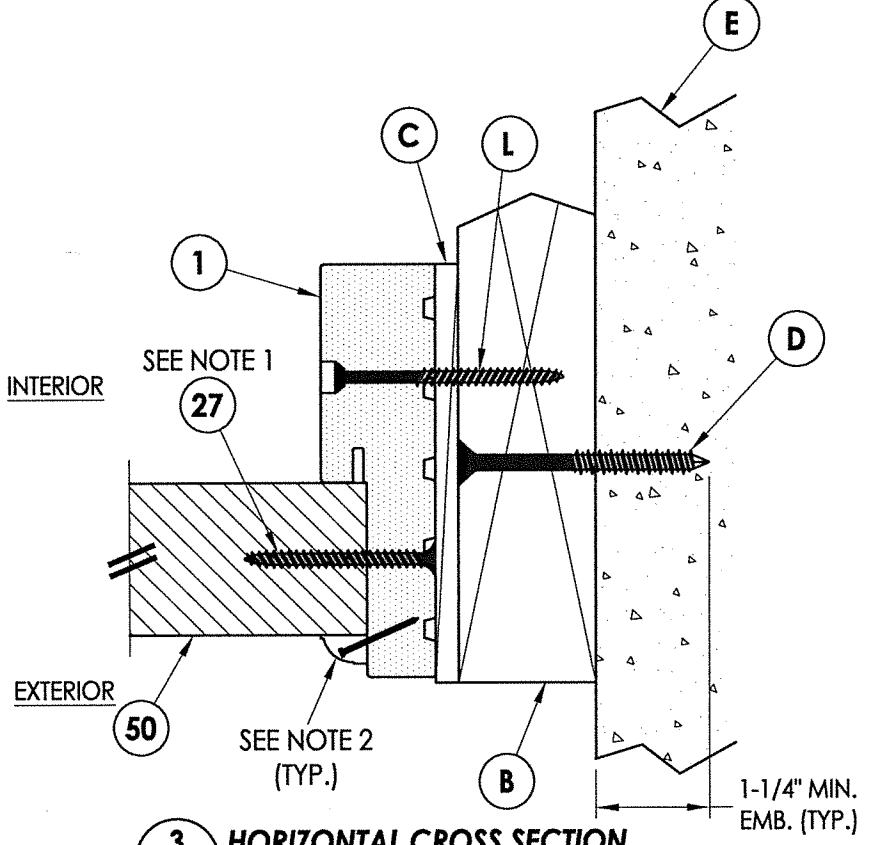
PRODUCT:			STEVE'S & SONS FIBERGLASS DOOR
PART OR ASSEMBLY:			HORIZONTAL CROSS SECTIONS
NO.	DATE	BY	
DATE:			3/10/22
SCALE:			N.T.S.
DWG. BY:			RW
CHK. BY:			LFS
DRAWING NO.:			FL-41467.6
SHEET			6 OF 13

Z:\Clients\Steves and Sons - Permanent\A - Florida Product Approvals\FL-41467 REGENCY SERIES\C - Drawings\FL-41467 (2020)\FL-41467.6.dwg

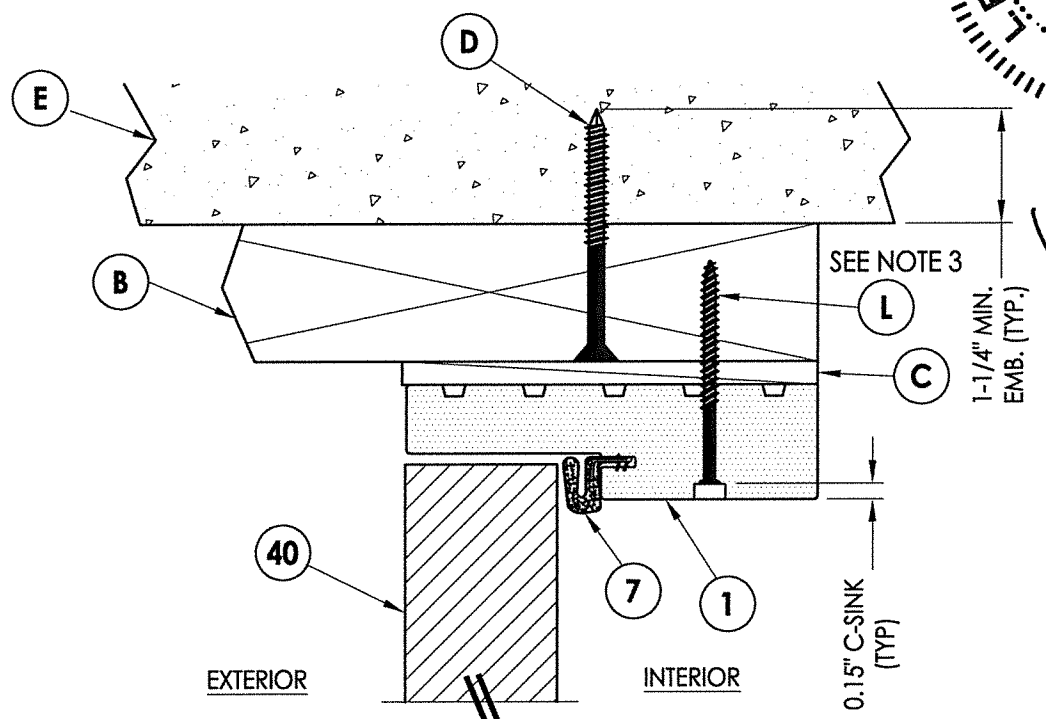


**1**  
**7** **HORIZONTAL CROSS SECTION**  
Shown w/ 2X Buck  
Outswing shown (Inswing similar)

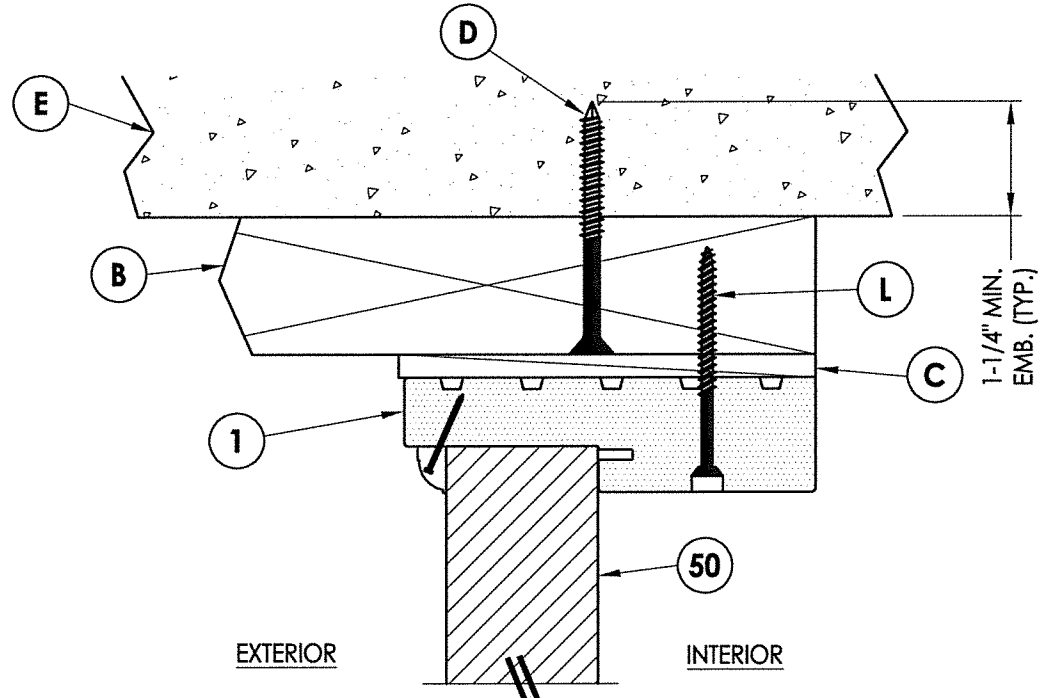
**2**  
**7** **HORIZONTAL CROSS SECTION**  
Shown w/ 2X Buck  
Outswing shown (Inswing similar)



**3**  
**7** **HORIZONTAL CROSS SECTION**  
Shown w/ 2X Buck  
Outswing shown (Inswing similar)

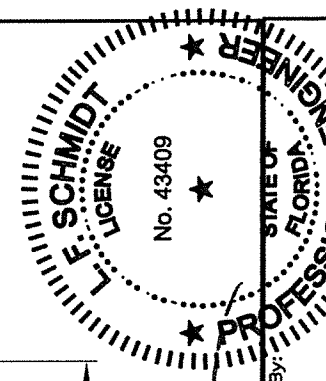


**4**  
**7** **VERTICAL CROSS SECTION**  
Shown w/ 2X Buck  
Outswing shown (Inswing similar)



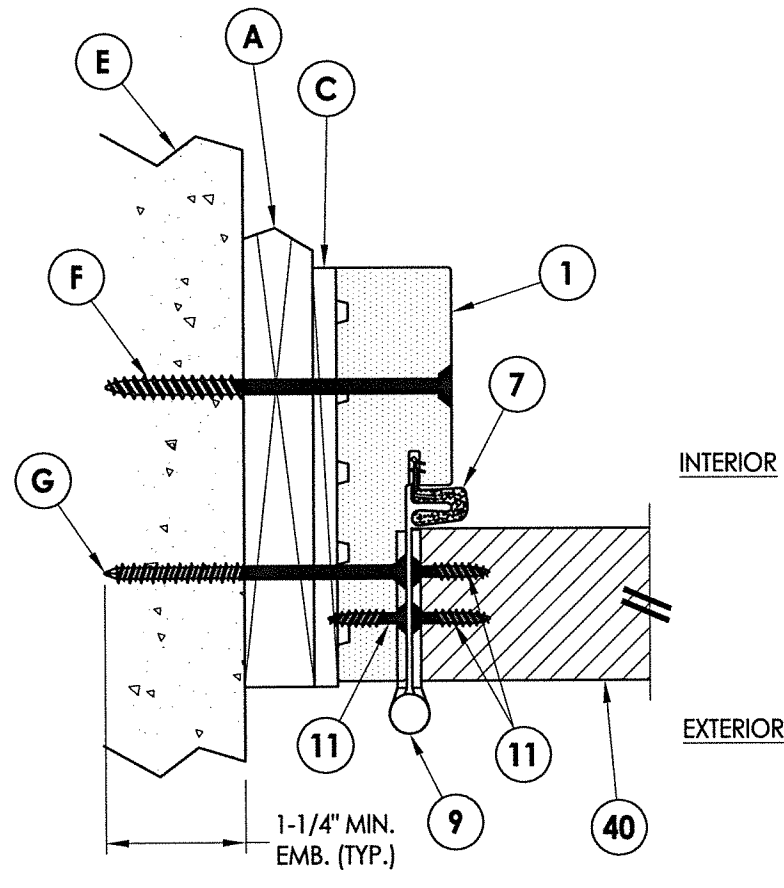
**5**  
**7** **VERTICAL CROSS SECTION**  
Shown w/ 2X Buck  
Outswing shown (Inswing similar)

- NOTES:**
- Sidelite assembly screws located 4" from each end plus 4 more equally spaced along jamb (6 total).
  - Moulding secured w/ 16 GA. X 1" brad nails located 1" from ends & 6" o.c. max.
  - Anchor @ head is not required for single door (X) only.

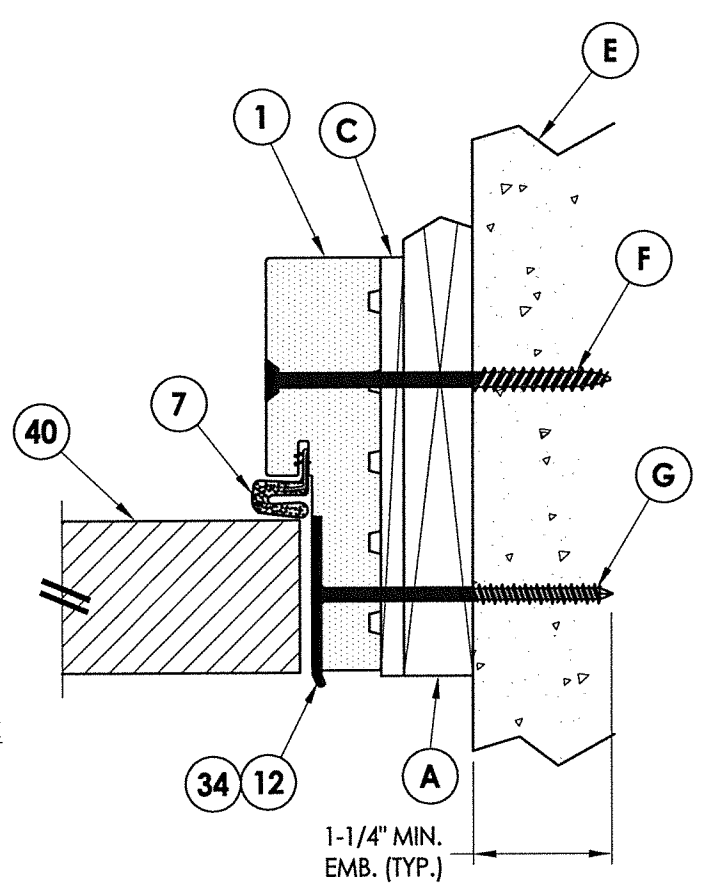


June 7, 2022  
 Documents Prepared By:  
 Lyndon F. Schmidt  
 P.E. No. 43409  
 RW  
 BUILDING CONSULTANTS, INC.  
 P.O. Box 230, Vairco, FL 33595  
 Phone No.: 813.659.9197  
 FBPE Registry No. 9813

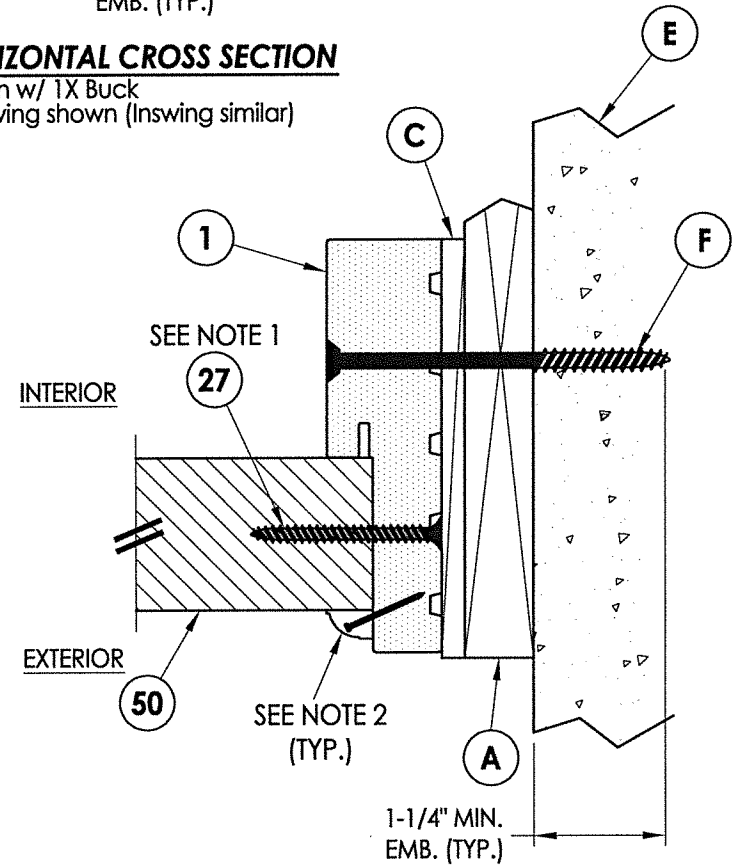
PRODUCT:		STEVES & SONS	
		FIBERGLASS DOOR	
PART OR ASSEMBLY:		HORIZONTAL & VERTICAL CROSS SECTIONS (2X BUCK)	
NO.	DATE	BY	REVISIONS
DATE:		3/10/22	
SCALE:		N.T.S.	
DWG. BY:		RW	
CHK. BY:		LFS	
DRAWING NO.:		FL-41467.6	
SHEET		7 OF 13	



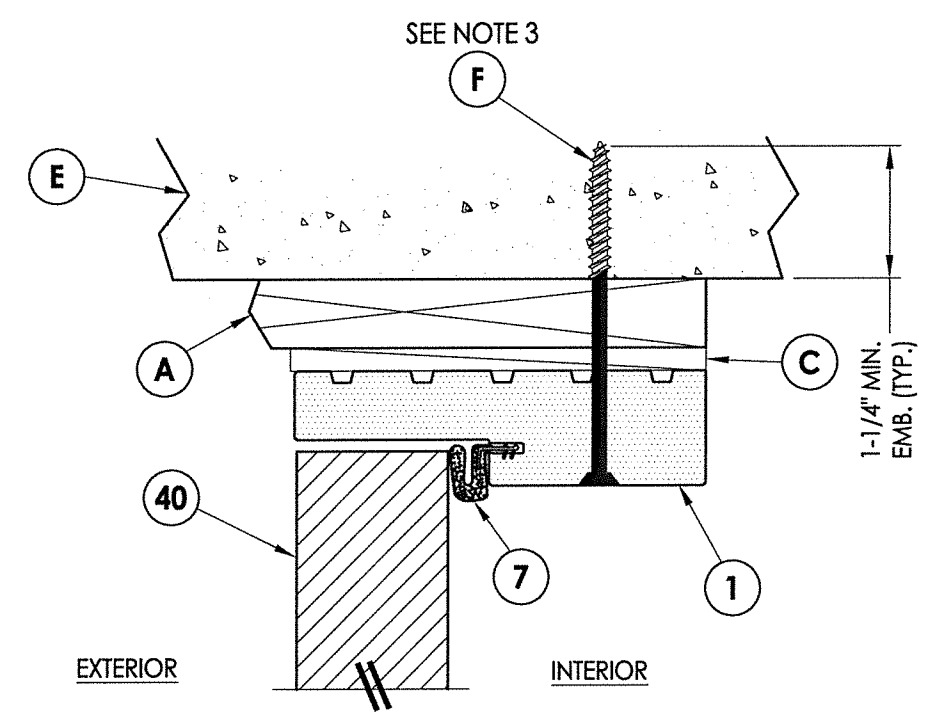
**1**  
**8** **HORIZONTAL CROSS SECTION**  
Shown w/ 1X Buck  
Outswing shown (Inswing similar)



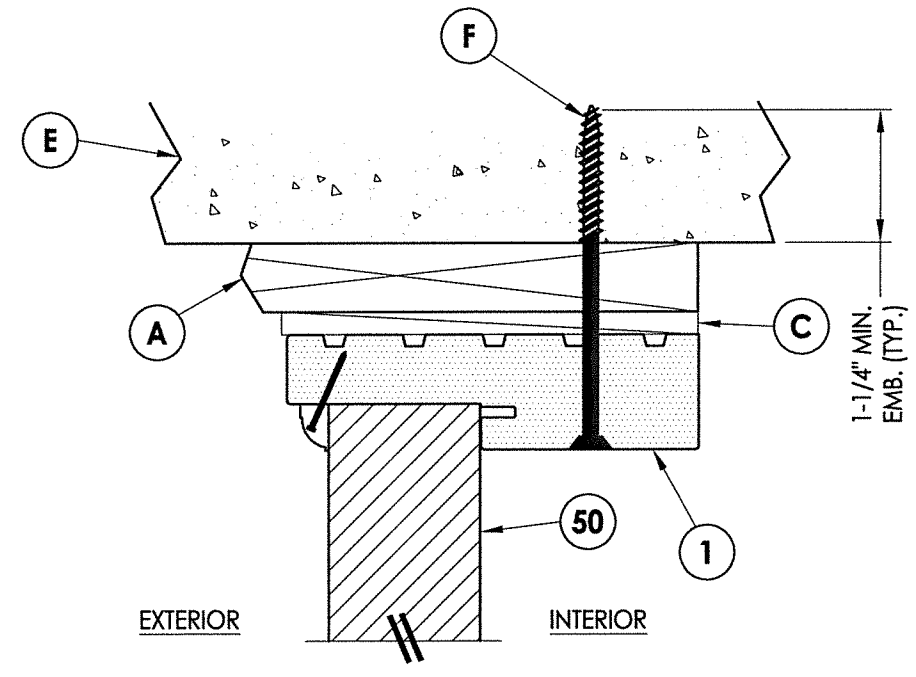
**2**  
**8** **HORIZONTAL CROSS SECTION**  
Shown w/ 1X Buck  
Outswing shown (Inswing similar)



**3**  
**8** **HORIZONTAL CROSS SECTION**  
Shown w/ 1X Buck  
Outswing shown (Inswing similar)



**4**  
**8** **VERTICAL CROSS SECTION**  
Shown w/ 1X Buck  
Outswing shown (Inswing similar)



**5**  
**8** **VERTICAL CROSS SECTION**  
Shown w/ 1X Buck  
Outswing shown (Inswing similar)

- NOTES:**
- Sidelite assembly screws located 4" from each end plus 4 more equally spaced along jamb (6 total).
  - Moulding secured w/ 16 GA. X 1" brad nails located 1" from ends & 6" o.c. max.
  - Anchor @ head is not required for single door (X) only.

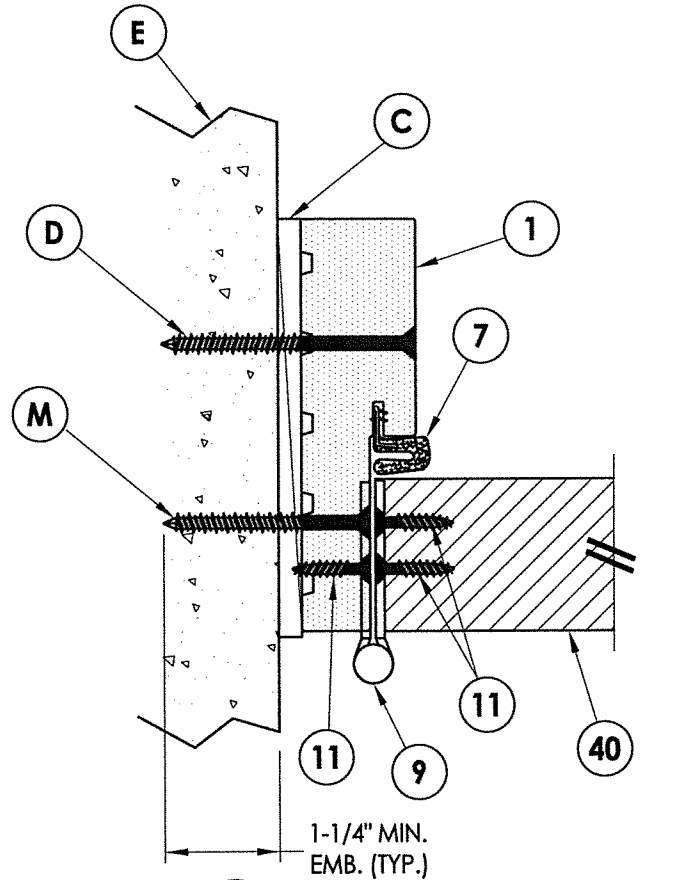
**L.F. SCHMIDT**  
No. 43409  
STATE OF FLORIDA  
PROFESSIONAL ENGINEER

June 7, 2022  
 Documents Prepared By:  
 Lyndon F. Schmidt  
 P.E. No. 43409

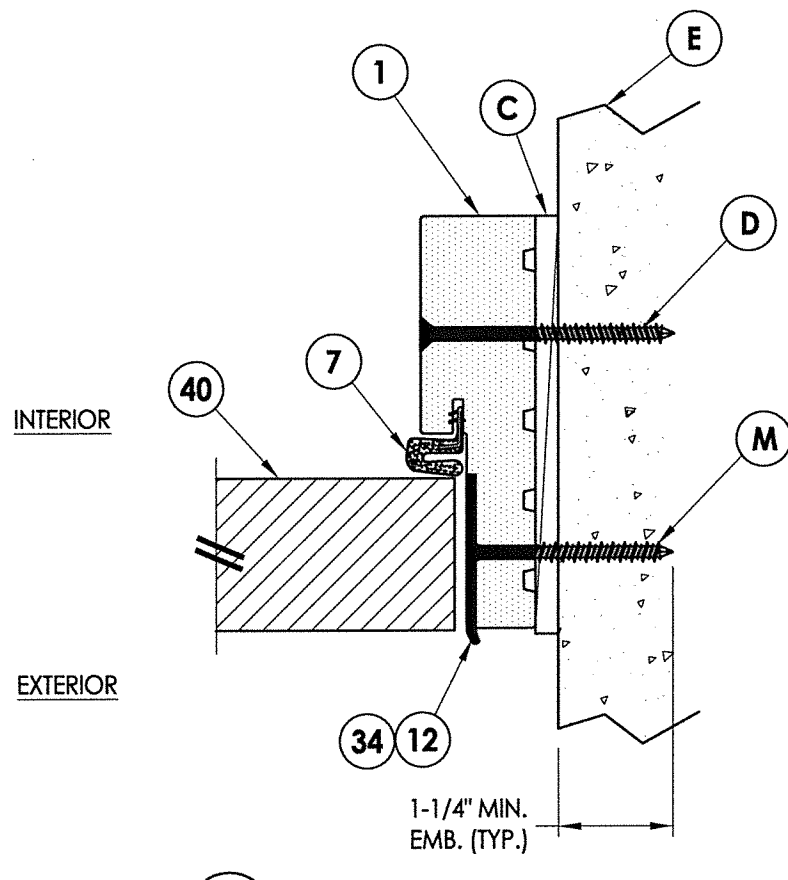
**RW** BUILDING CONSULTANTS, INC.  
 P.O. Box 230, Valrico, FL 33595  
 Phone No.: 813.659.9197  
 FBPE Registry No. 9813

<b>PRODUCT:</b>	STEVES & SONS FIBERGLASS DOOR	
<b>PART OR ASSEMBLY:</b>	HORIZONTAL & VERTICAL CROSS SECTIONS (1X BUCK)	
<b>NO.</b>	<b>DATE</b>	<b>BY</b>
<b>REVISIONS</b>		
DATE: 3/10/22		
SCALE: N.T.S.		
DWG. BY: RW		
CHK. BY: LFS		
DRAWING NO.: FL-41467.6		
SHEET 8 OF 13		

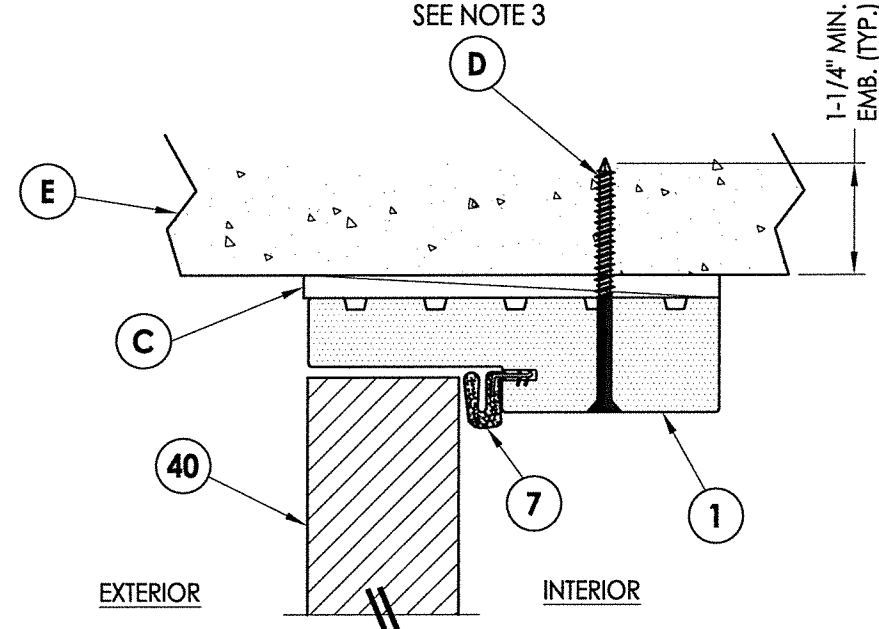




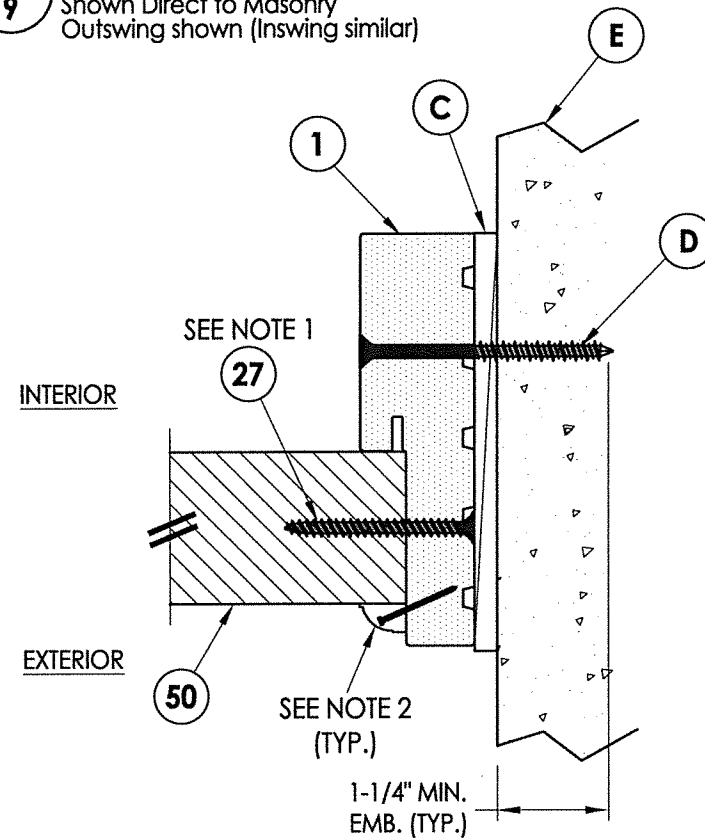
**1 HORIZONTAL CROSS SECTION**  
**9** Shown Direct to Masonry  
 Outswing shown (Inswing similar)



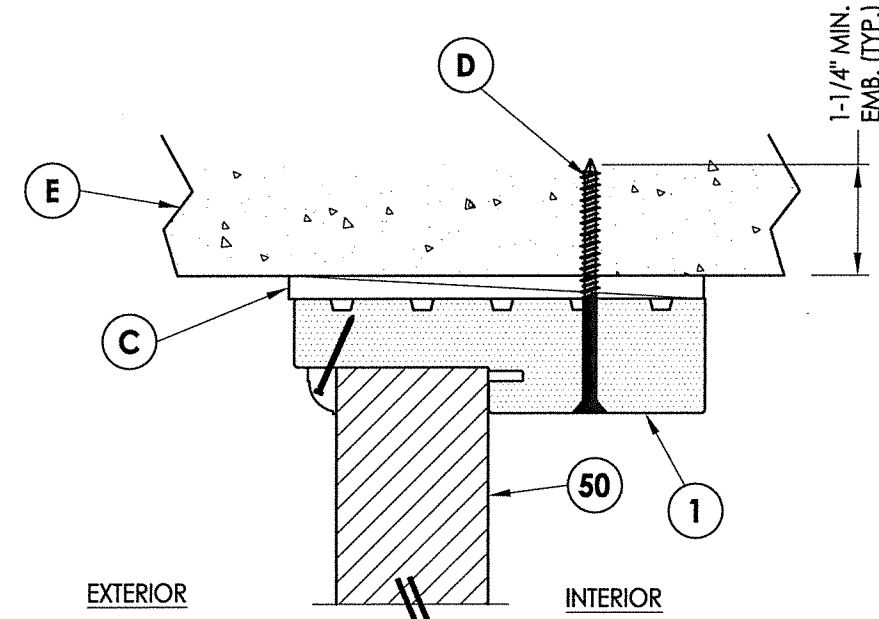
**2 HORIZONTAL CROSS SECTION**  
**9** Shown Direct to Masonry  
 Outswing shown (Inswing similar)



**4 VERTICAL CROSS SECTION**  
**9** Shown Direct to Masonry  
 Outswing shown (Inswing similar)



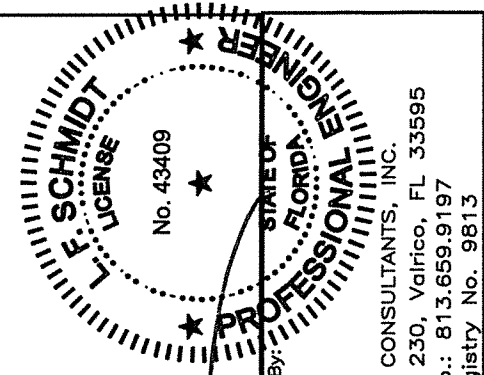
**3 HORIZONTAL CROSS SECTION**  
**9** Shown Direct to Masonry  
 Outswing shown (Inswing similar)



**5 VERTICAL CROSS SECTION**  
**9** Shown Direct to Masonry  
 Outswing shown (Inswing similar)

**NOTES:**

1. Sidelite assembly screws located 4" from each end plus 4 more equally spaced along jamb (6 total).
2. Moulding secured w/ 16 GA. X 1" brad nails located 1" from ends & 6" o.c. max.
3. Anchor @ head is not required for single door (X) only.



*LF*

June 7, 2022

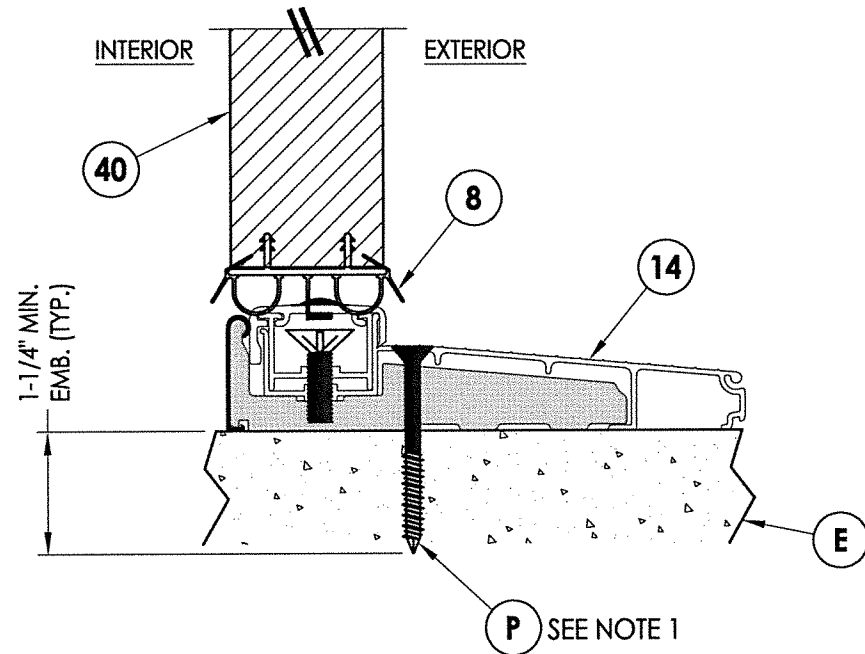
Documents Prepared By:  
 Lyndon F. Schmidt  
 P.E. No. 43409

RW

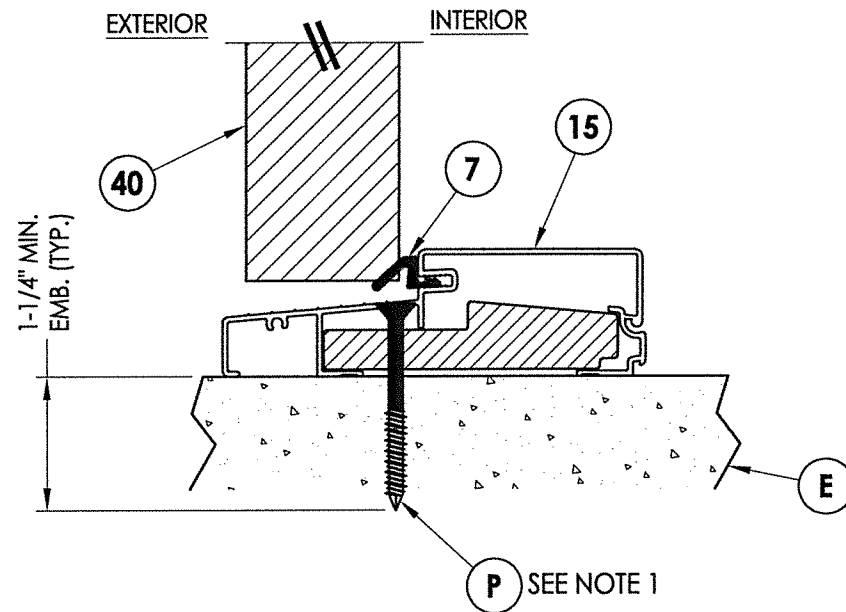
BUILDING CONSULTANTS, INC.  
 P.O. Box 230, Valrico, FL 33595  
 Phone No.: 813.659.9197  
 FBPE Registry No. 9813

PRODUCT: STEVES & SONS FIBERGLASS DOOR		REVISIONS	
PART OR ASSEMBLY: HORIZONTAL & VERTICAL CROSS SECTIONS (DIRECT TO MASONRY)		NO.	DATE
		BY	
DATE:	3/10/22		
SCALE:	N.T.S.		
DWG. BY:	RW		
CHK. BY:	LFS		
DRAWING NO.:	FL-41467.6		
SHEET	9 OF 13		

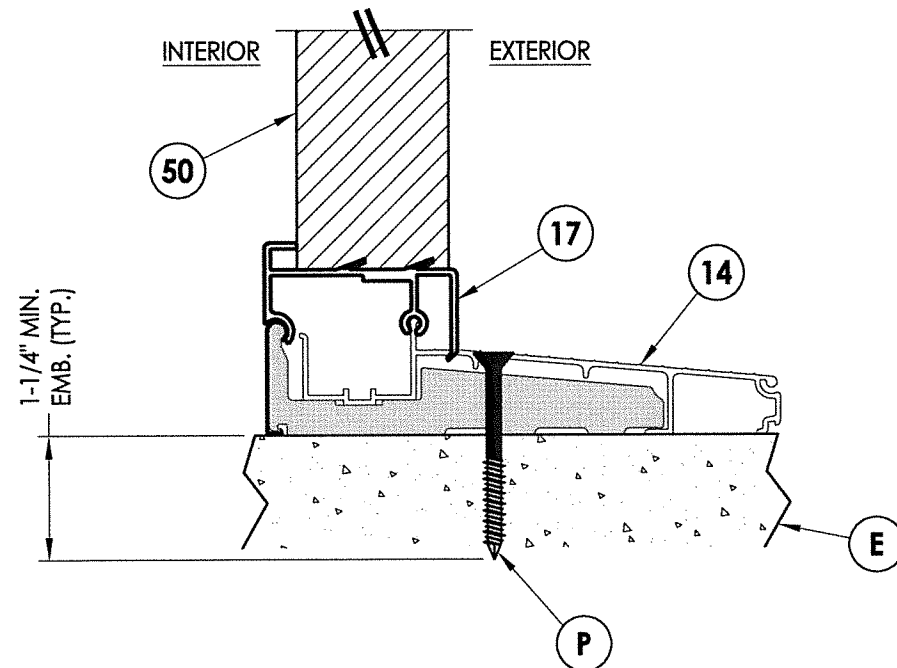
Note:  
1. Anchor @ sill is not required for single door (X) only.



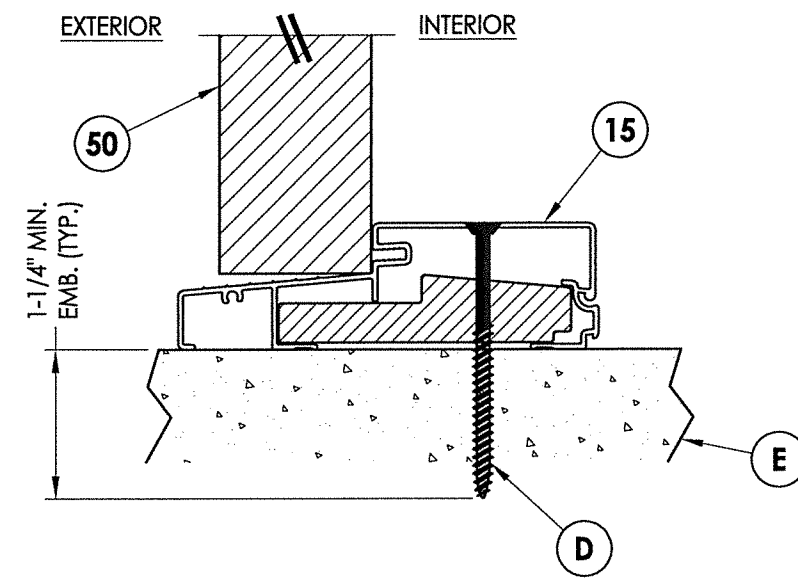
1  
10 VERTICAL CROSS SECTION  
Inswing Threshold



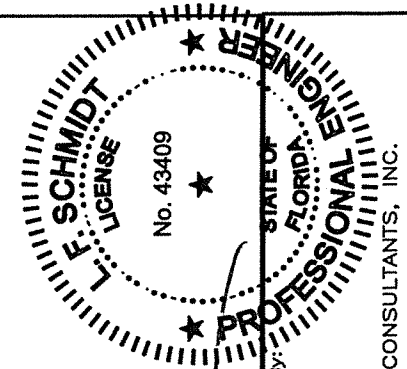
2  
10 VERTICAL CROSS SECTION  
Outswing Threshold



3  
10 VERTICAL CROSS SECTION  
Inswing Threshold



4  
10 VERTICAL CROSS SECTION  
Outswing Threshold



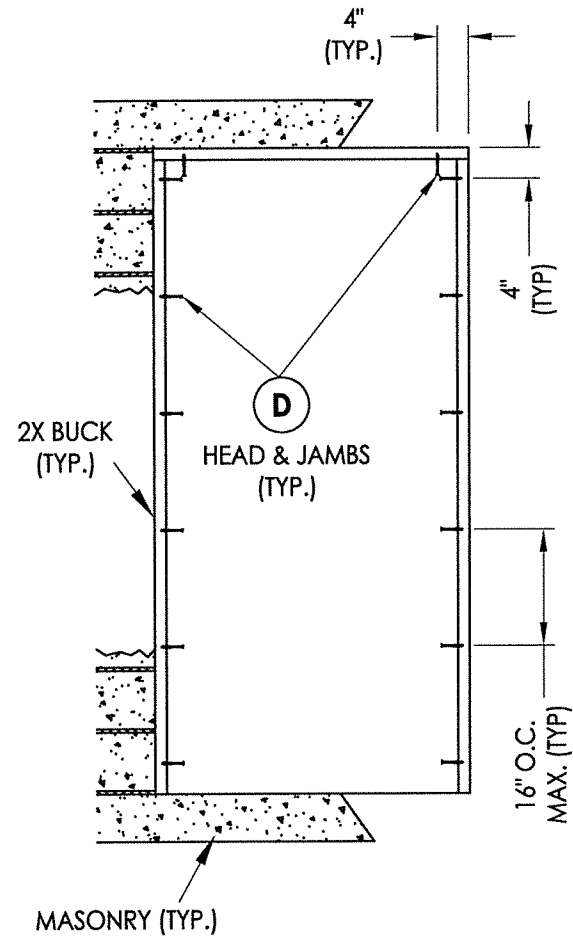
June 7, 2022  
Documents Prepared By:  
Lyndon F. Schmidt  
P.E. No. 43409

RW BUILDING CONSULTANTS, INC.  
P.O. Box 230, Valrico, FL 33595  
Phone No.: 813.659.9197  
FBPE Registry No. 9813

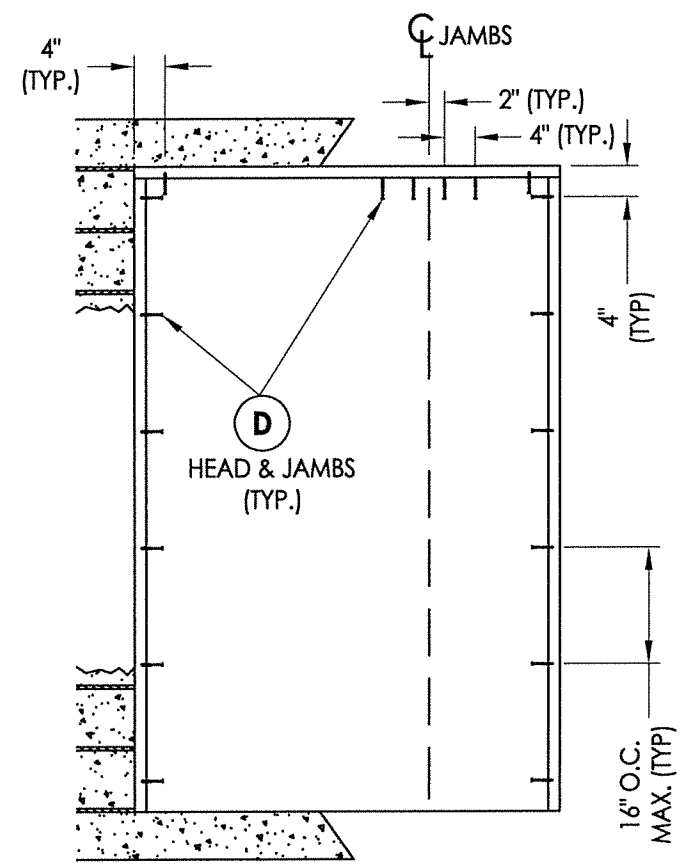
PRODUCT: STEVES & SONS FIBERGLASS DOOR  
PART OR ASSEMBLY: VERTICAL CROSS SECTIONS

NO.	DATE	BY

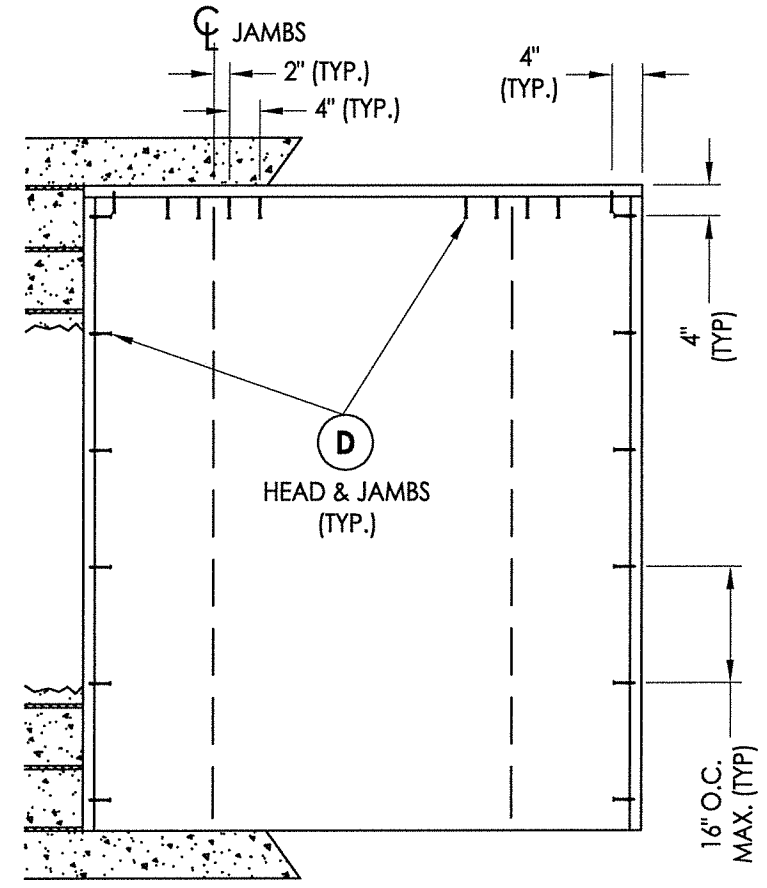
DATE: 3/10/22  
SCALE: N.T.S.  
DWG. BY: RW  
CHK. BY: LFS  
DRAWING NO.: FL-41467.6  
SHEET 10 OF 13



X

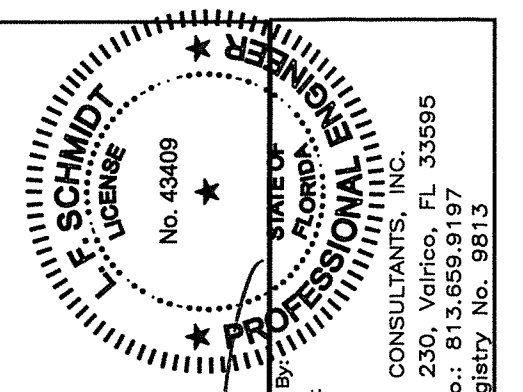


XO, OX



OXO

2X BUCK ANCHORING

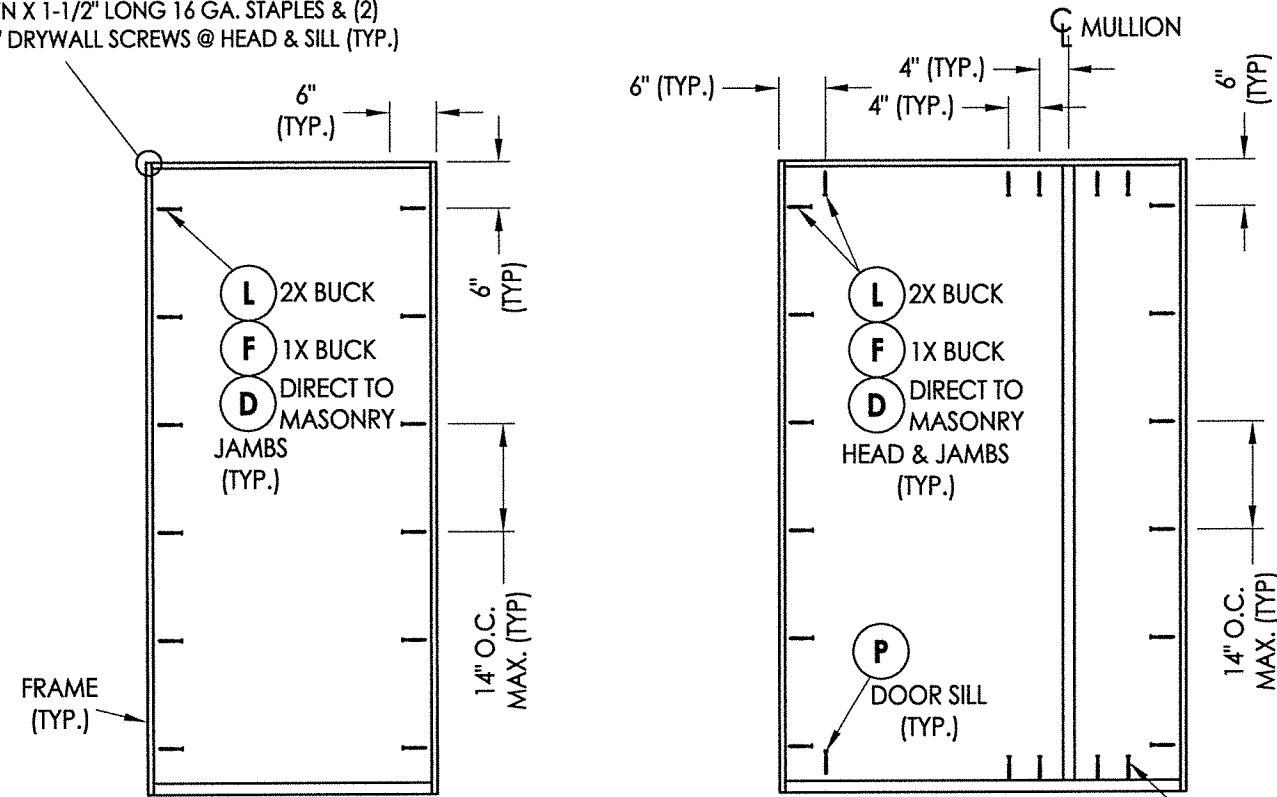


June 7, 2022  
 Documents Prepared By:  
 Lyndon F. Schmidt  
 P.E. No. 43409  
 RW  
 BUILDING CONSULTANTS, INC.  
 P.O. Box 230, Valrico, FL 33595  
 Phone No.: 813.659.9197  
 FBPE Registry No. 9813

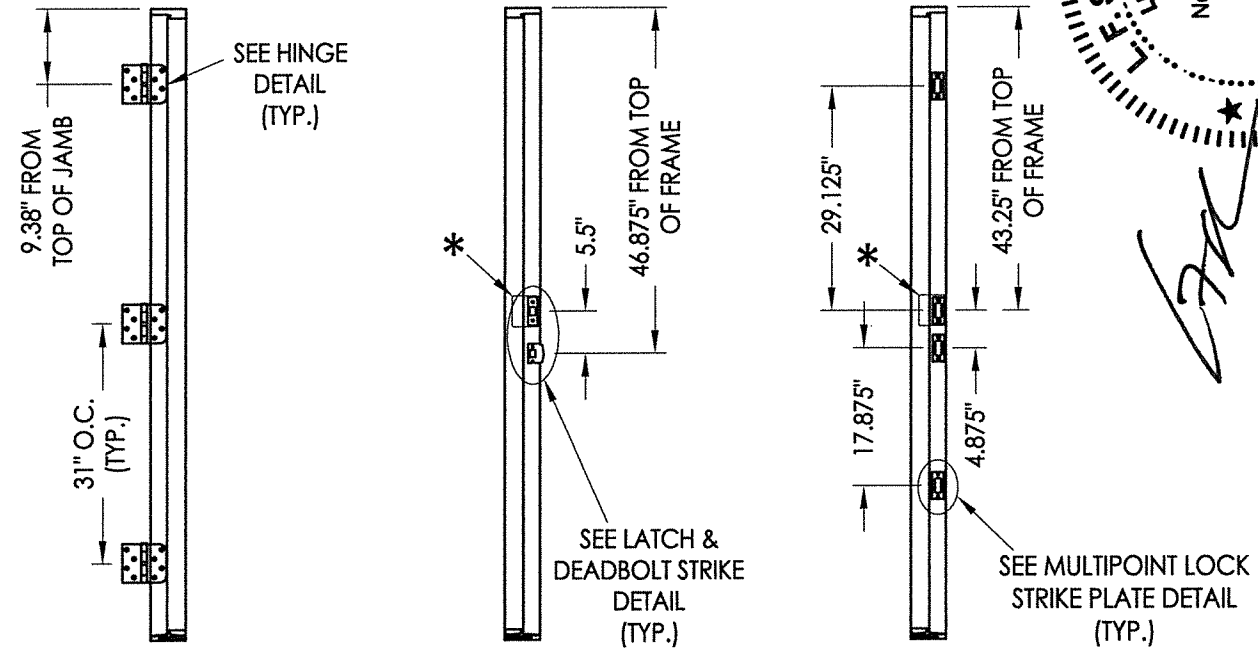
PRODUCT:		STEVES & SONS FIBERGLASS DOOR	
PART OR ASSEMBLY:		BUCK ANCHORING	
NO.	DATE	BY	
		REVISIONS	
DATE: 3/10/22			
SCALE: N.T.S.			
DWG. BY: RW			
CHK. BY: LFS			
DRAWING NO.: FL-41467.6			
SHEET 11 of 13			

Z:\Clients\Steves and Sons - Permanent\A - Florida Product Approvals\FL-41467 REGENCY SERIES\C - Drawings\FL-41467.dwg

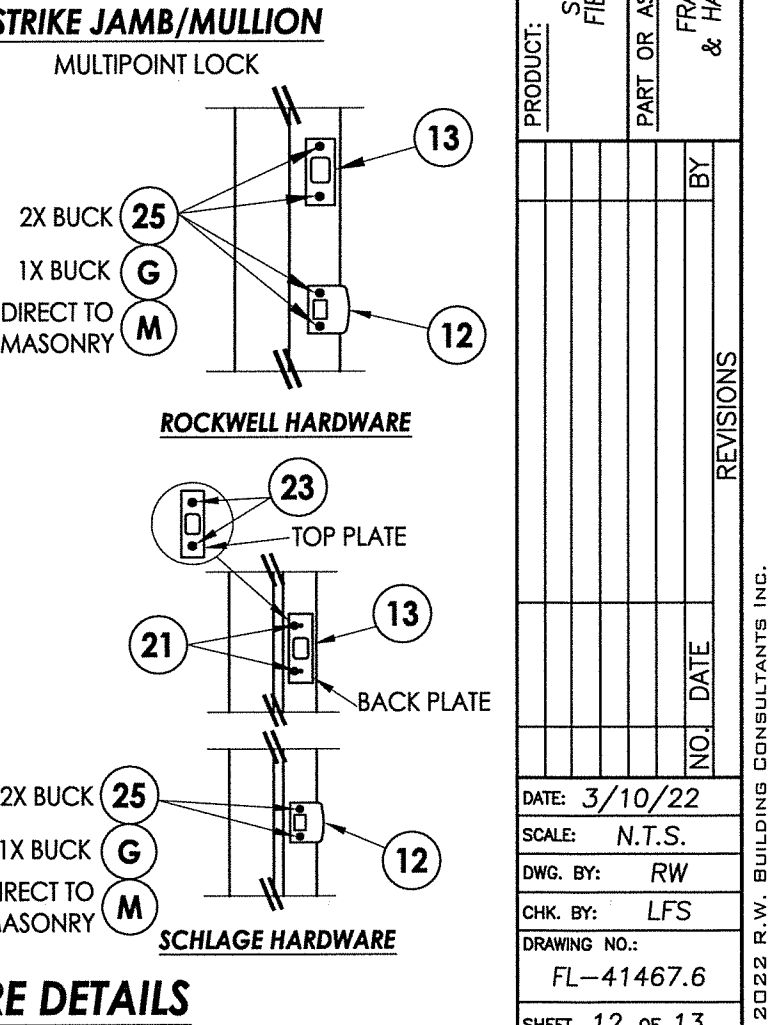
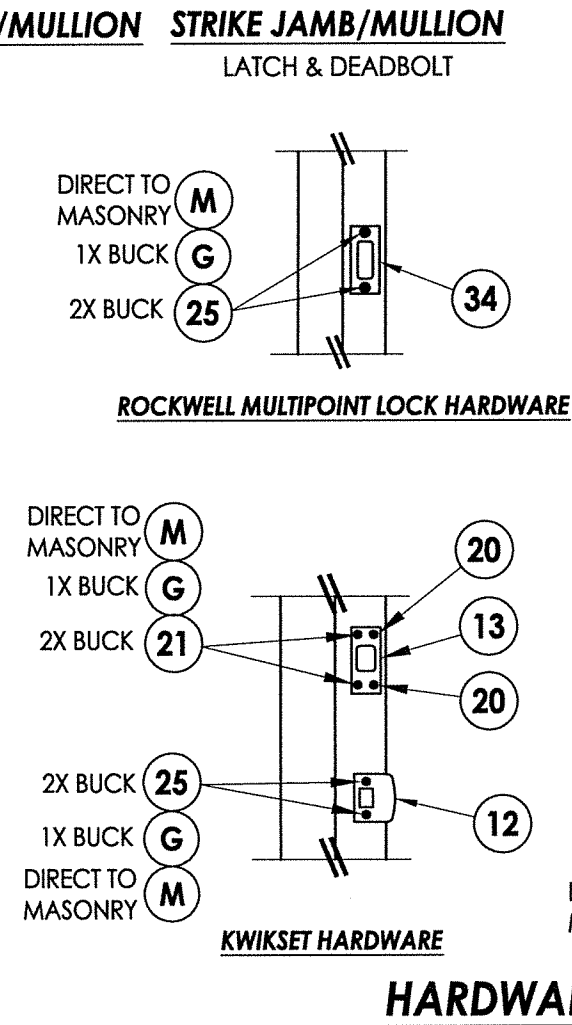
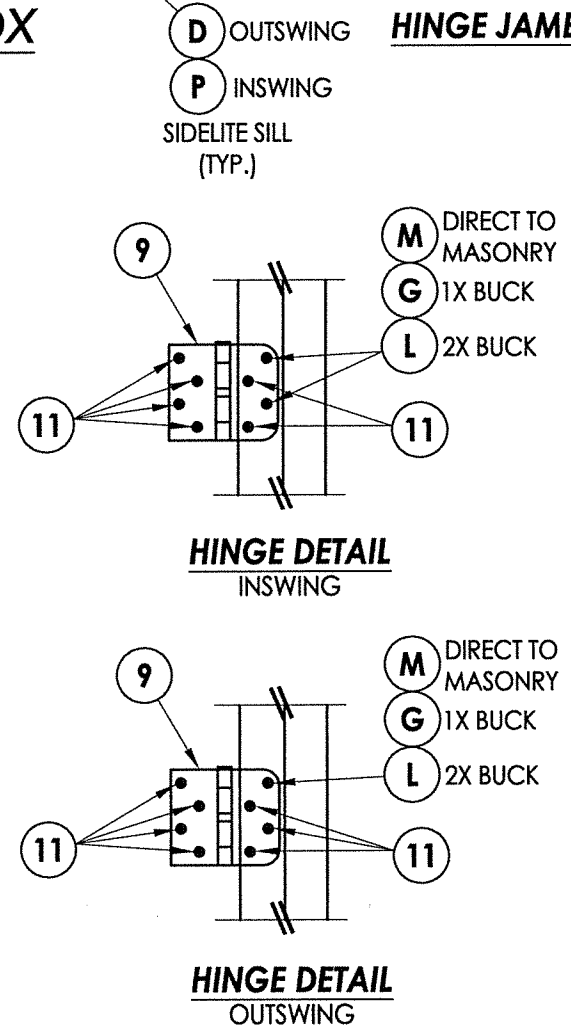
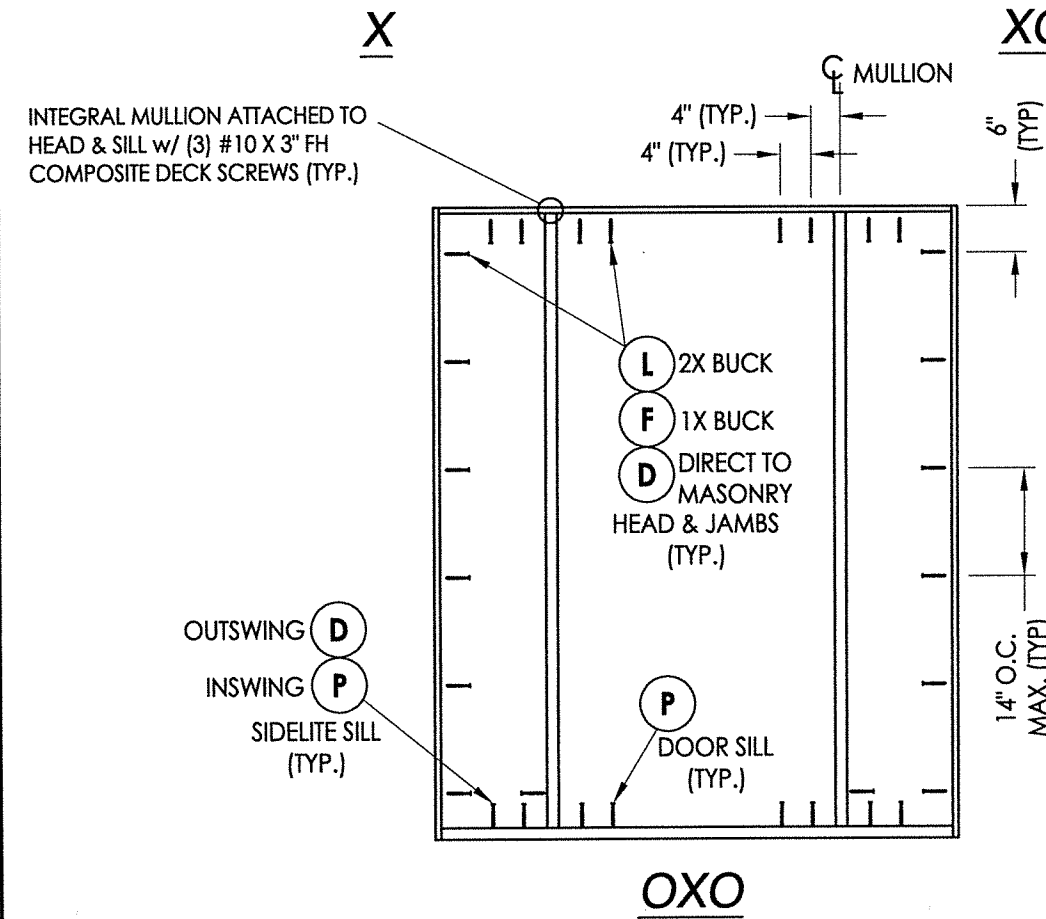
FRAME CORNERS ATTACHED w/ (3) 7/16" CROWN X 1-1/2" LONG 16 GA. STAPLES & (2) #7 X 2" DRYWALL SCREWS @ HEAD & SILL (TYP.)



\* 3.5" X 4" 20 GA. STEEL PLATE ATTACHED TO BACK OF LOCK JAMB w/ (4) 1" CROWN X 5/8" LONG 16 GA. STAPLES



Professional Engineer Seal for L.F. SCHMIDT, No. 43409, State of Florida, dated June 7, 2022. Includes contact info for RW Building Consultants, Inc.



**FRAME ANCHORING**

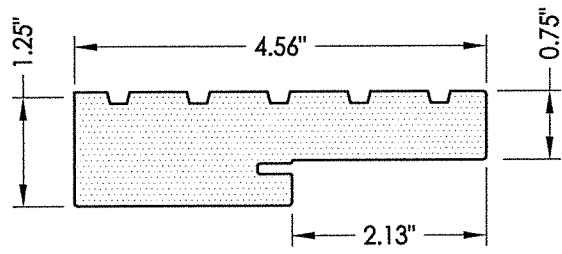
**HINGE JAMB/MULLION**

**STRIKE JAMB/MULLION LATCH & DEADBOLT**

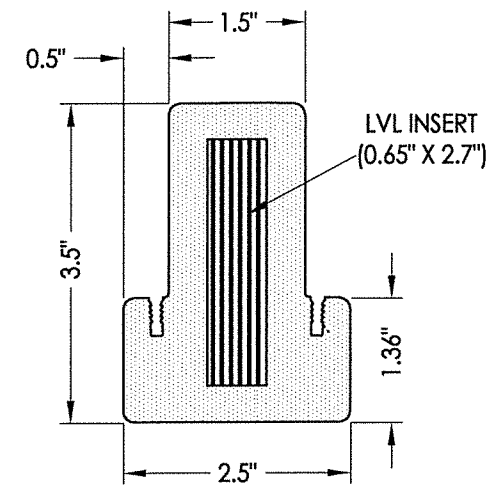
**STRIKE JAMB/MULLION MULTIPOINT LOCK**

Table with columns: PRODUCT (STEVES & SONS FIBERGLASS DOOR), PART OR ASSEMBLY (FRAME ANCHORING & HARDWARE DETAILS), NO., DATE, REVISIONS. Includes date 3/10/22, scale N.T.S., and drawing number FL-41467.6.

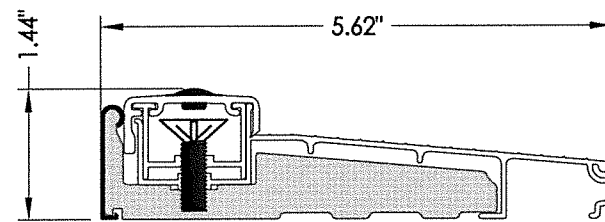
BILL OF MATERIALS		
ITEM #	DESCRIPTION	MATERIAL
A	1X BUCK (G >= 0.42)	WOOD
B	2X BUCK (G >= 0.42)	WOOD
C	1/4" MAX. SHIM SPACE	-
D	1/4" X 2-3/4" PFH DeWALT OR ITW CONCRETE SCREW	STEEL
E	MASONRY - 3,000 PSI MIN. CONCRETE CONFORMING TO ACI 301 OR HOLLOW BLOCK CONFORMING TO ASTM C90	CONCRETE
F	1/4" X 3-3/4" PFH DeWALT OR ITW CONCRETE SCREW	STEEL
G	3/16" X 3-1/4" PFH ITW CONCRETE SCREW	STEEL
L	#10 X 2-1/2" PFH WOOD SCREW (1.15" MIN. EMB.)	STEEL
M	3/16" X 2-1/4" PFH ITW CONCRETE SCREW	STEEL
P	1/4" X 2-1/4" PFH DeWALT OR ITW CONCRETE SCREW	STEEL
1	COMPOSITE JAMB	COMP
3	COMPOSITE MULLION	COMP/LVL
7	WEATHERSTRIP	FOAM
8	SWEEP	VINYL
9	4" X 4" HINGE	STEEL
11	#9 X 3/4" PFH WOOD SCREW	STEEL
12	LATCH STRIKE PLATE	STEEL
13	DEADBOLT STRIKE PLATE	STEEL
14	INSWING THRESHOLD	ALUM/COMP
15	OUTSWING THRESHOLD	ALUM/COMP
17	INSWING SIDELITE ADAPTER	PVC
18	#8 X 3" SD TRIM SCREW	STEEL
20	#9 X 1/2" PFH WOOD SCREW	STEEL
21	#12 X 2-1/2" PFH WOOD SCREW	STEEL
23	#8 X 3/4" PFH WOOD SCREW	STEEL
25	#8 X 2-1/2" PFH WOOD SCREW	STEEL
27	#7 X 1-5/8" DRYWALL SCREW	STEEL
34	MULTIPOINT LOCK STRIKE PLATE	STEEL
40	DOOR PANEL	-
50	SIDELITE PANEL	-



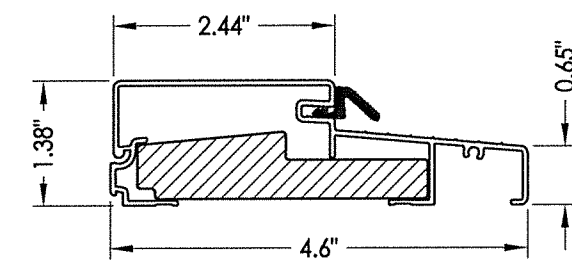
1 COMPOSITE JAMB  
WORLDWIDE "4EVER"



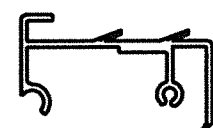
3 COMPOSITE MULLION



14 INSWING THRESHOLD  
Columbia



15 OUTSWING THRESHOLD  
Columbia



17 INSWING SIDELITE SPACER  
Columbia

**CONCRETE ANCHOR NOTES:**

- Concrete anchor locations at the comers may be adjusted to maintain the min. edge distance to mortar joints.
- Concrete anchor locations noted as "MAX. ON CENTER" must be adjusted to maintain the min. edge distance to mortar joints, additional concrete anchors may be required to ensure the "MAX. ON CENTER" dimension are not exceeded.
- Concrete anchor table:

ANCHOR TYPE	ANCHOR SIZE	MIN. EMBEDMENT	MIN. CLEARANCE TO MASONRY EDGE	MIN. CLEARANCE TO ADJACENT ANCHOR
ITW BUILDEX	3/16"	1-1/4"	3"	1-1/2"
TAPCON®	1/4"	1-1/4"	2"	4"
DeWALT ULTRACON®	1/4"	1-1/4"	1"	4"

**WOOD SCREW INSTALLATION NOTES:**

- Maintain a minimum 5/8" edge distance, 1" end distance, & 1" o.c. spacing of wood screws to prevent the splitting of wood.

Professional Engineer  
 L.F. SCHMIDT  
 License No. 43409  
 STATE OF FLORIDA  
 June 7, 2022  
 Documents Prepared By:  
 Lyndon F. Schmidt  
 P.E. No. 43409  
 R.W.  
 BUILDING CONSULTANTS, INC.  
 P.O. Box 230, Valrico, FL 33595  
 Phone No.: 813.659.9197  
 FBPE Registry No. 98173

PRODUCT: ALL SEASONS, INC. FIBERGLASS DOOR  
 PART OR ASSEMBLY: BILL OF MATERIALS & COMPONENTS

NO.	DATE	BY	REVISIONS

DATE: 3/10/22  
 SCALE: N.T.S.  
 DWG. BY: RW  
 CHK. BY: LFS  
 DRAWING NO.: FL-41467.6  
 SHEET 13 OF 13