

STEVE'S AND SONS

203 Humble Ave.
San Antonio, TX 78225

DIRECT GLAZED FIBERGLASS DOOR DOUBLE

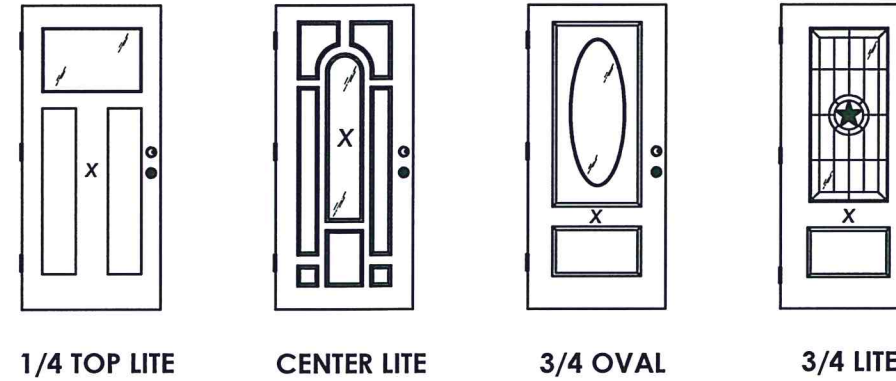
IN SWING/OUT SWING
"NON-IMPACT"

GENERAL NOTES

1. This product has been evaluated and is in compliance with the 7th Edition (2020) Florida Building Code (FBC) structural requirements excluding the "High Velocity Hurricane Zone" (HVHZ).
2. Product anchors shall be as listed and spaced as shown on details. Anchor embedment to base material shall be beyond wall dressing or stucco.
3. When used in areas requiring wind borne debris protection this product is required to be protected with an impact resistant covering that complies with FBC Sections 1609.1.2 & R301.2.1.2 of the FBC.
4. For 2x stud framing construction, anchoring of these units shall be the same as that shown for 2x buck masonry construction.
5. Site conditions that deviate from the details of this drawing require further engineering analysis by a licensed engineer or registered architect.

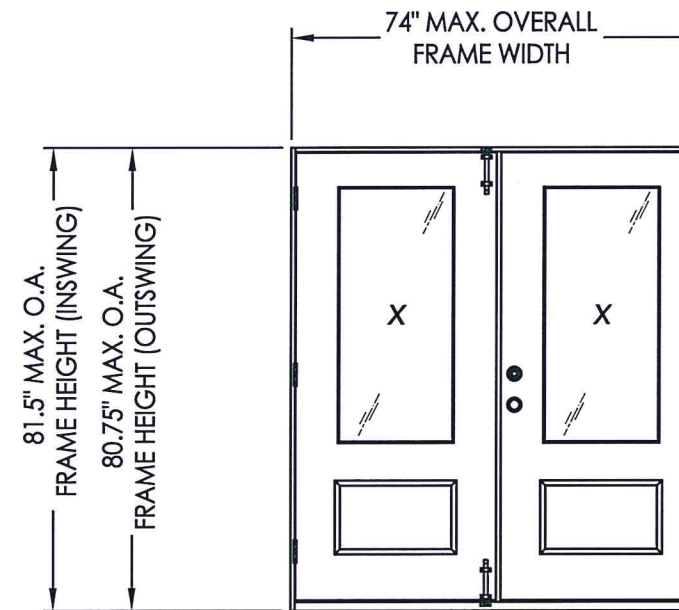
TABLE OF CONTENTS

SHEET #	DESCRIPTION	SHEET #	
1	Typical Elevations, Design Pressures & General Notes	6	Horizontal & Vertical Cross Sections (1X Buck)
2	Door Panel Details	7	Horizontal & Vertical Cross Sections (Direct to Masonry)
3	Door Panel Options	8	Vertical Cross Sections
4	Elevations	9	Buck & Frame Anchoring & Hardware Details
5	Horizontal & Vertical Cross Sections (2X Buck)	10	Bill of Materials & Components



1/4 TOP LITE CENTER LITE 3/4 OVAL 3/4 LITE

REGENCY DECORATIVE COLLECTION

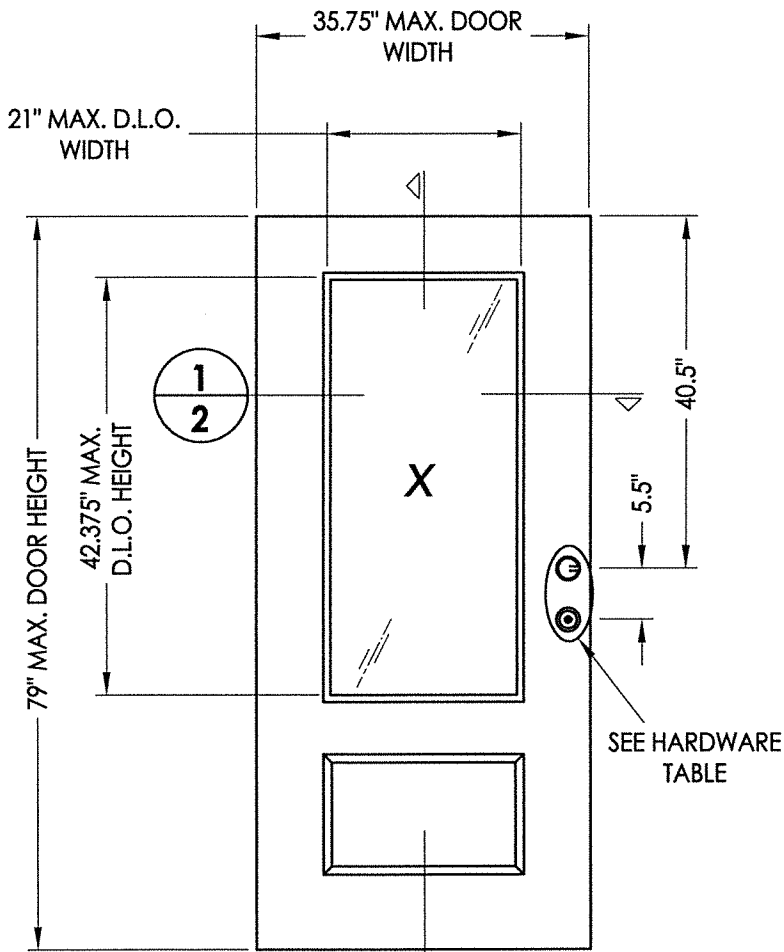
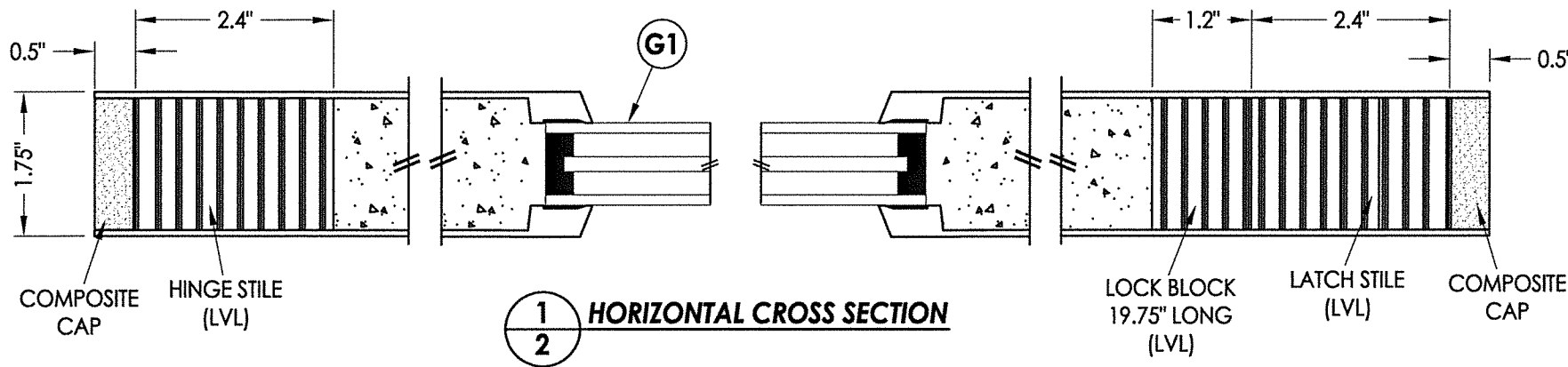


CONFIGURATION	MAX. FRAME DIMENSION	SURFACE BOLTS REQUIRED	DESIGN PRESSURE (PSF) IN SWING		DESIGN PRESSURE (PSF) OUT SWING	
			POSITIVE	NEGATIVE	POSITIVE	NEGATIVE
XX	74.0" x 81.5"	NO	+20.0	-25.0	+20.0	-25.0
		YES	+40.0	-45.0	+40.0	-45.0

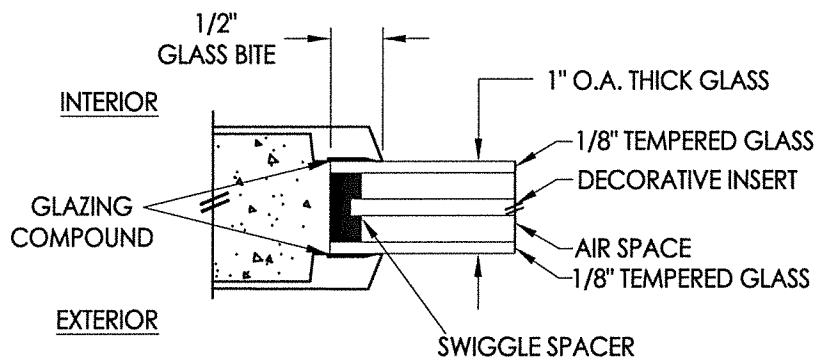
June 7, 2022
 Documents Prepared By: Lyndon F. Schmidt
 P.E. No. 43409
 F. SCHMIDT LICENSE No. 43409
 STATE OF FLORIDA PROFESSIONAL ENGINEER
 BUILDING CONSULTANTS, INC.
 P.O. Box 230, Valrico, FL 33595
 Phone No.: 813.659.9197
 FBPE Registry No. 9813

PRODUCT:	STEVE'S & SONS FIBERGLASS DOOR
PART OR ASSEMBLY:	TYPICAL ELEVATION, DESIGN PRESSURES & GENERAL NOTES
NO.	DATE
BY	REVISIONS
DATE:	3/10/22
SCALE:	N.T.S.
DWG. BY:	RW
CHK. BY:	LFS
DRAWING NO.:	FL-41467.2
SHEET	1 OF 10

Z:\Clients\Steves and Sons - Permanent\A - Florida Product Approvals\FL-41467 REGENCY SERIES\C - Drawings\FL-41467 (2020)\FL-41467.2.dwg

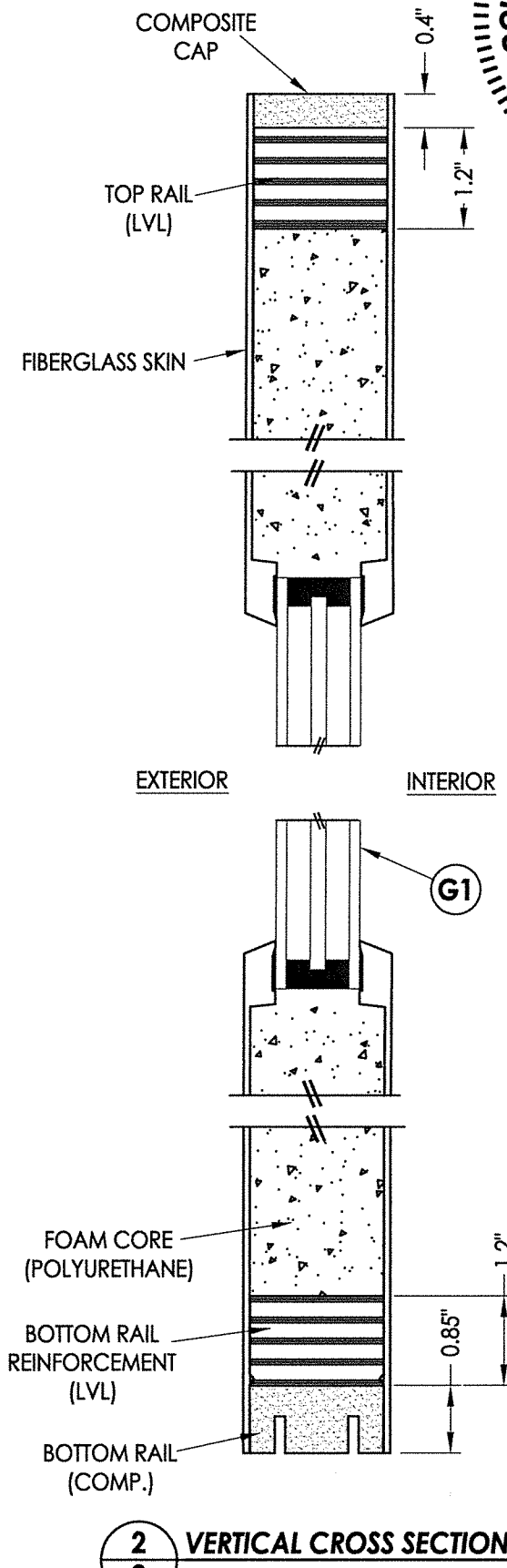


40 FIBERGLASS DOOR PANEL



HARDWARE TABLE		
MANUFACTURER	MODEL	
KWIKSET	LATCH: DEADBOLT:	SIGNATURE SERIES SIGNATURE SERIES (980)
SCHLAGE	LATCH: DEADBOLT:	F51 B60N
ROCKWELL	LATCH: DEADBOLT:	PREMIUM HANDLESET PREMIUM DEADBOLT

FIBERGLASS DOOR SKIN: MIN. 0.08" THK.
CORE MATERIAL: POLYURETHANE FOAM



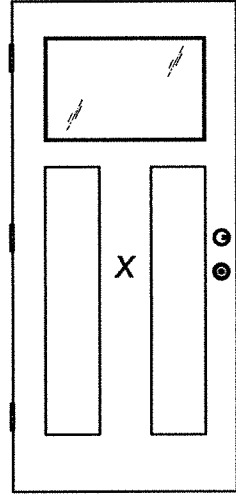
FLORIDA PROFESSIONAL ENGINEER
No. 43409
LYNDON F. SCHMIDT

June 7, 2022
Documents Prepared By: Lyndon F. Schmidt
P.E. No. 43409

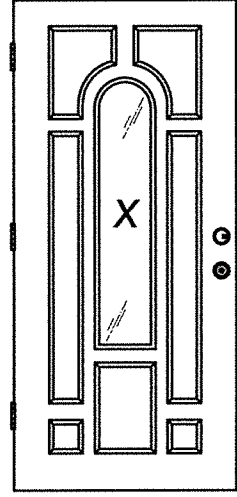
RW
BUILDING CONSULTANTS, INC.
P.O. Box 230, Valrico, FL 33595
Phone No.: 813.659.9197
FBPE Registry No. 9813

PRODUCT:		STEVES & SONS
PART OR ASSEMBLY:		FIBERGLASS DOOR
DOOR PANEL DETAILS		
NO.	DATE	BY
REVISIONS		
DATE: 3/10/22		
SCALE: N.T.S.		
DWG. BY: RW		
CHK. BY: LFS		
DRAWING NO.: FL-41467.2		
SHEET 2 of 10		

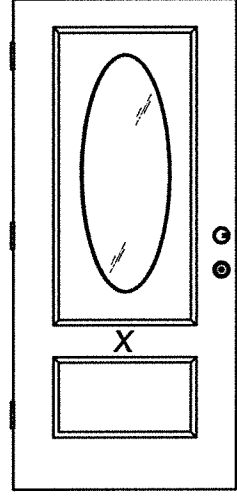
Z:\Clients\Steves and Sons - Permanent\A - Florida Product Approvals\FL-41467 REGENCY SERIES\C - Drawings\FL-41467 (2020)\FL-41467.2.dwg



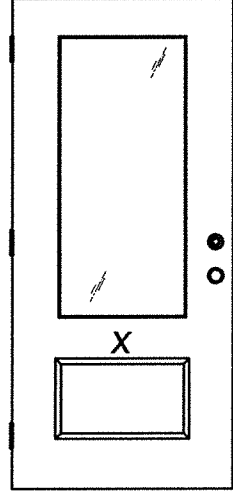
1/4 TOP LITE



CENTER LITE

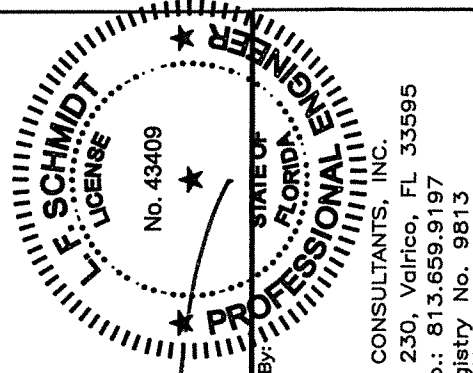


3/4 OVAL



3/4 LITE

REGENCY DECORATIVE COLLECTION



LFS

June 7, 2022

Documents Prepared By:
Lyndon F. Schmidt
P.E. No. 4-3409

PRODUCT: STEVES & SONS FIBERGLASS DOOR	
PART OR ASSEMBLY: DOOR PANEL OPTIONS	
NO.	DATE
BY	REVISIONS

DATE: 3/10/22

SCALE: N.T.S.

DWG. BY: RW

CHK. BY: LFS

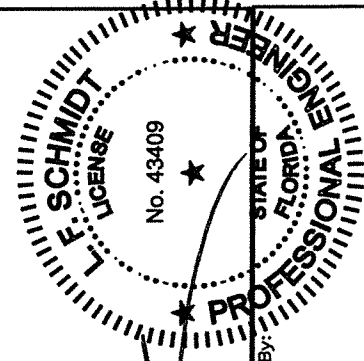
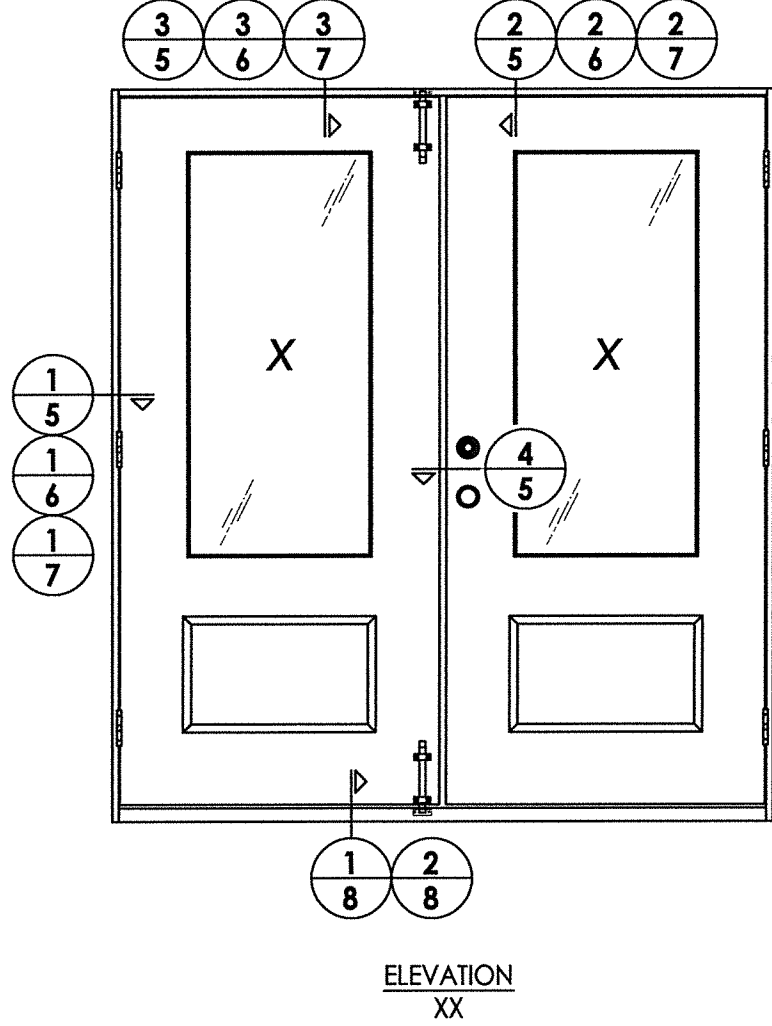
DRAWING NO.:

FL-41467.2

SHEET 3 of 10

RW

BUILDING CONSULTANTS, INC.
P.O. Box 230, Vairico, FL 33595
Phone No.: 813.659.9197
FBPE Registry No. 9813



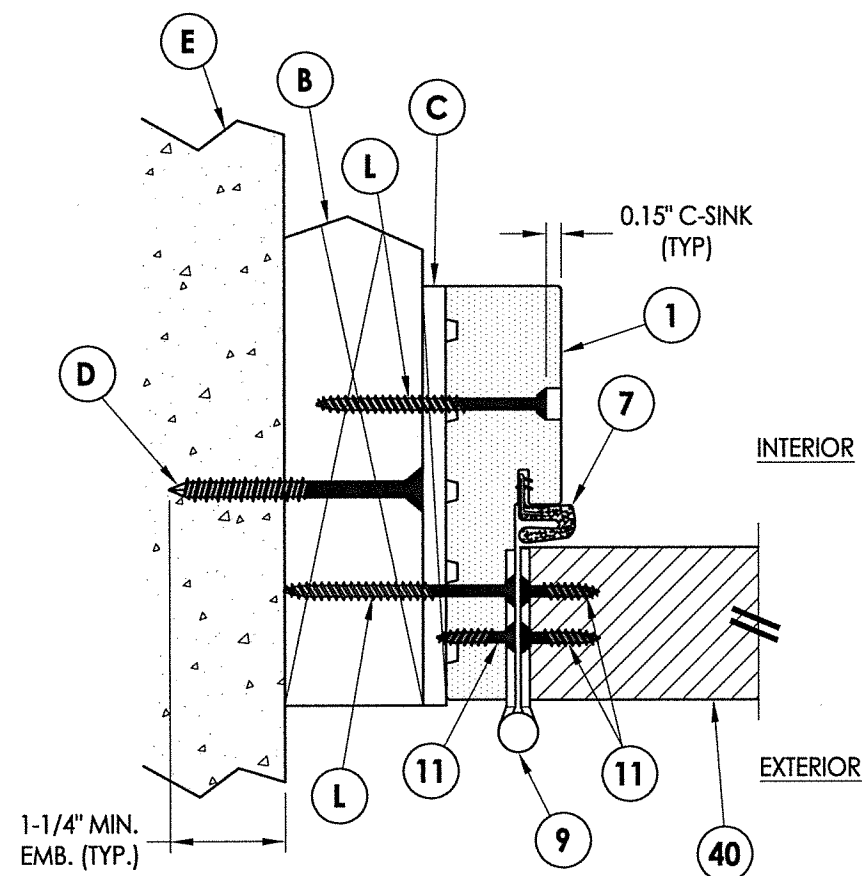
LFS
 June 7, 2022
 Documents Prepared By:
 Lyndon F. Schmidt
 P.E. No. 43409

RW
 BUILDING CONSULTANTS, INC.
 P.O. Box 230, Valrico, FL 33595
 Phone No.: 813.659.9197
 FBPE Registry No. 9813

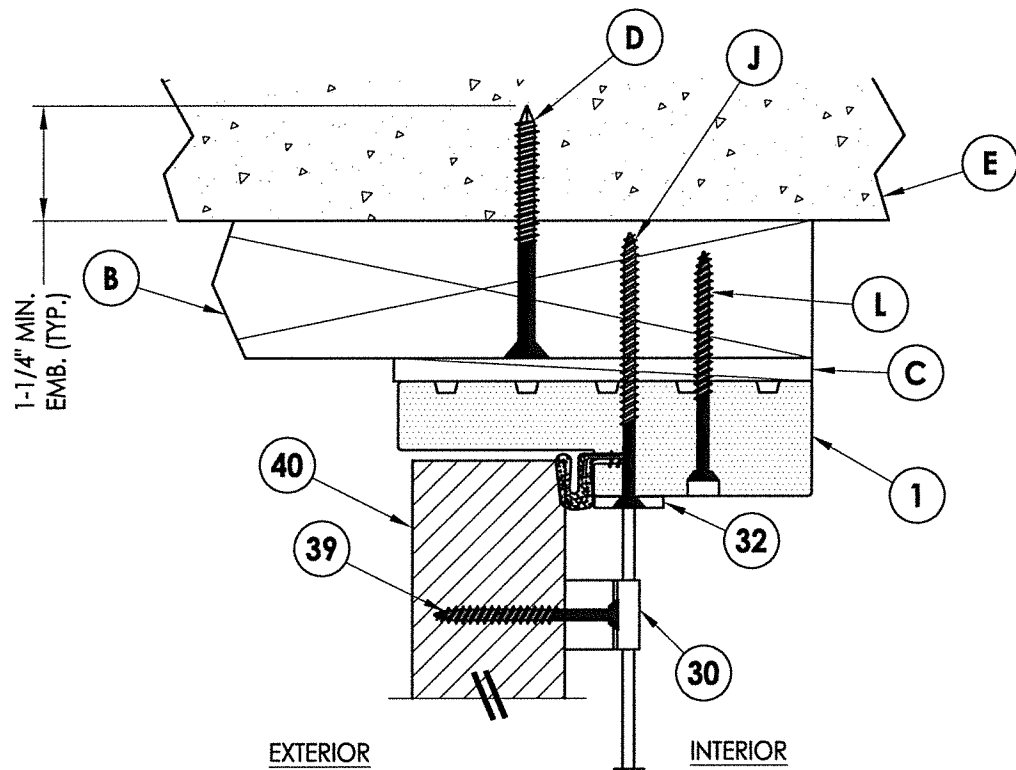
DATE: 3/10/22			
SCALE: N.T.S.			
DWG. BY: RW	CHK. BY: LFS		
DRAWING NO.: FL-41467.2			
SHEET 4 OF 10			
NO.	DATE	REVISIONS	BY

PRODUCT:
 STEVES & SONS
 FIBERGLASS DOOR

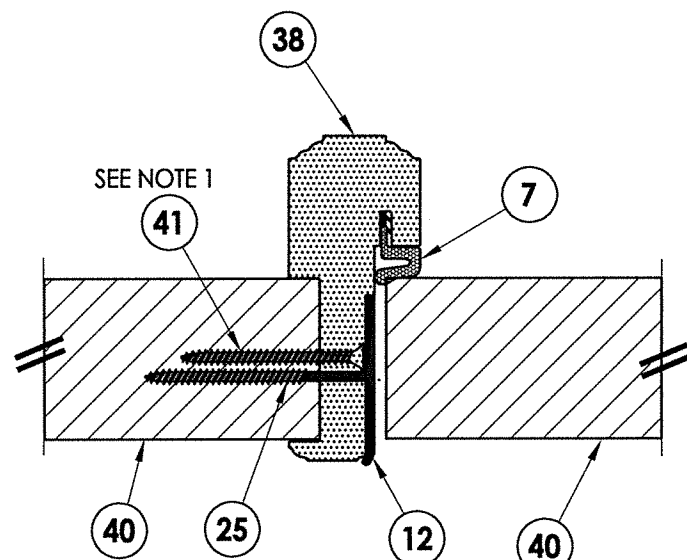
PART OR ASSEMBLY:
 ELEVATIONS



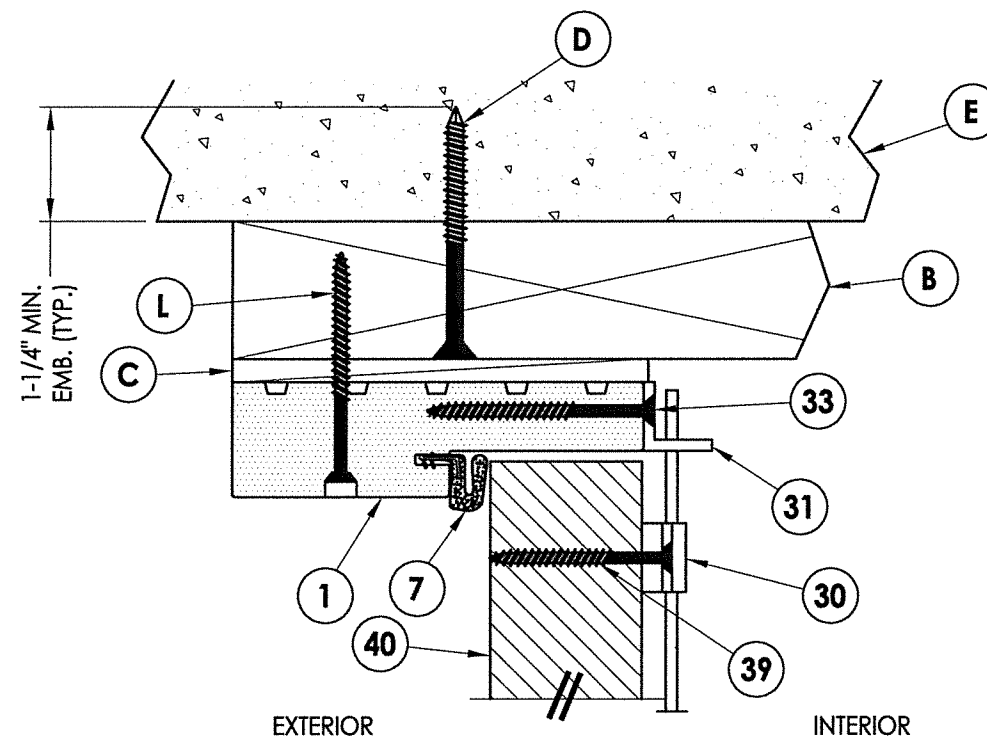
1 HORIZONTAL CROSS SECTION
5 Shown w/ 2X Buck
Outswing shown (Inswing similar)



2 VERTICAL CROSS SECTION
5 Shown w/ 2X Buck
Outswing shown

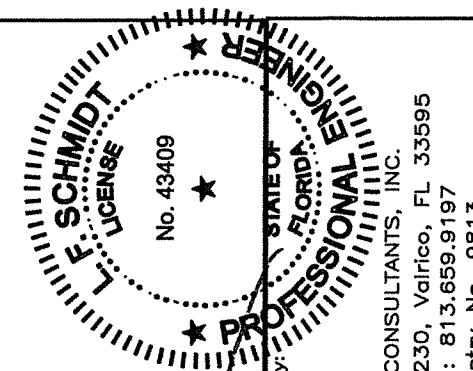


4 HORIZONTAL CROSS SECTION
5 Outswing shown (Inswing similar)



3 VERTICAL CROSS SECTION
5 Shown w/ 2X Buck
Inswing shown

Note:
1. Screws located 8" from each end of astragal plus four (3) more located @ 23", 37" & 48" down from the top of the astragal (5 screws total - countersink 3/16").



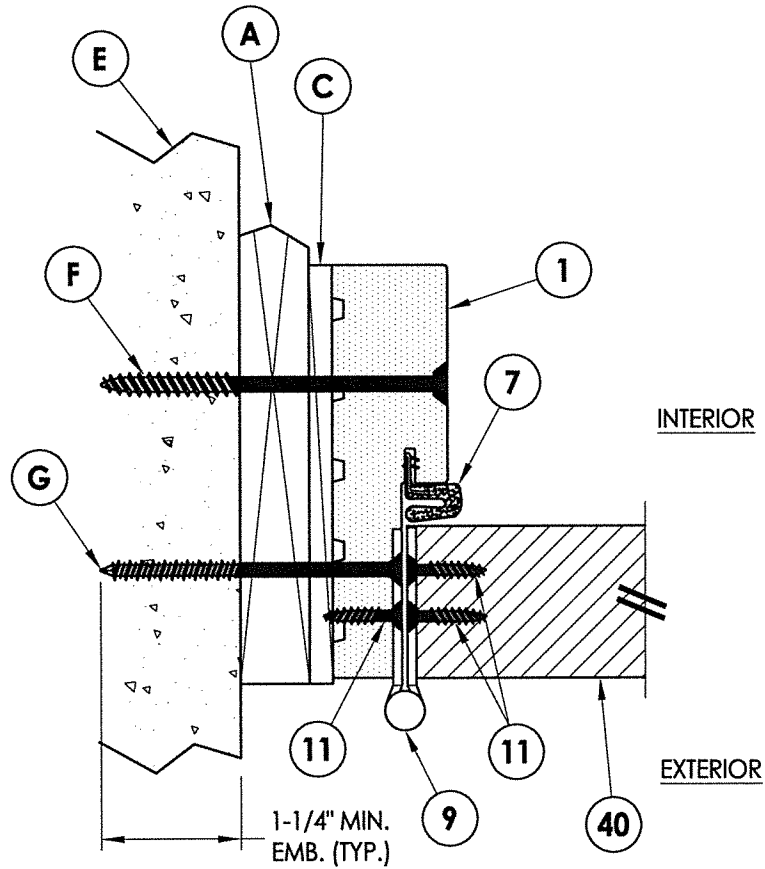
June 7, 2022
Documents Prepared By:
Lyndon F. Schmidt
P.E. No. 43409

R.W. BUILDING CONSULTANTS, INC.
P.O. Box 230, Valrico, FL 33595
Phone No.: 813.659.9197
FBPE Registry No. 9813

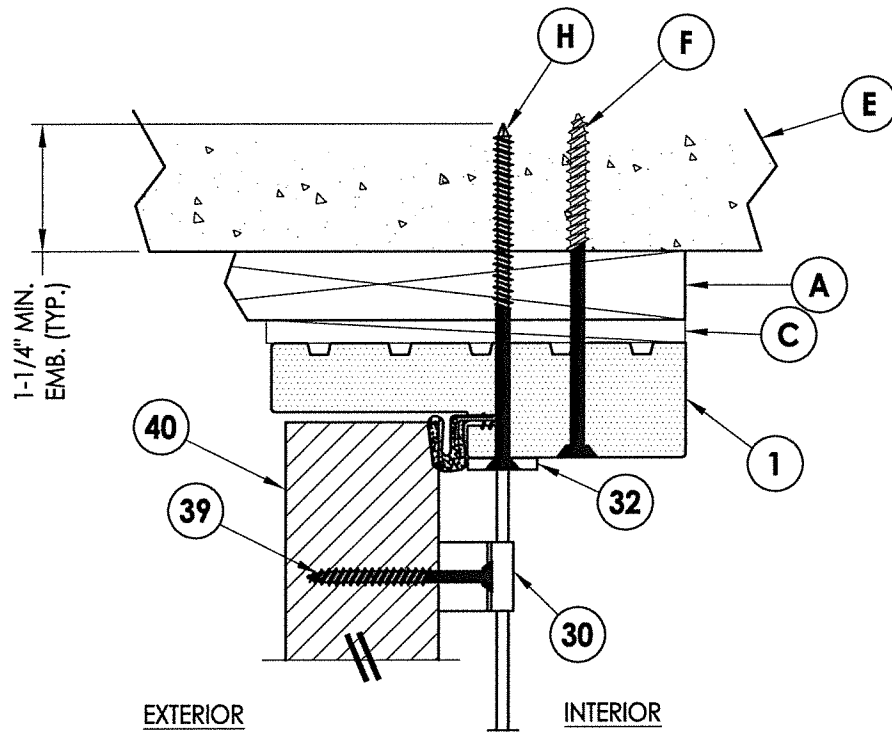
PRODUCT: STEVES & SONS
FIBERGLASS DOOR
PART OR ASSEMBLY:
HORIZONTAL & VERTICAL
CROSS SECTIONS (2X BUCK)

NO.	DATE	BY	REVISIONS

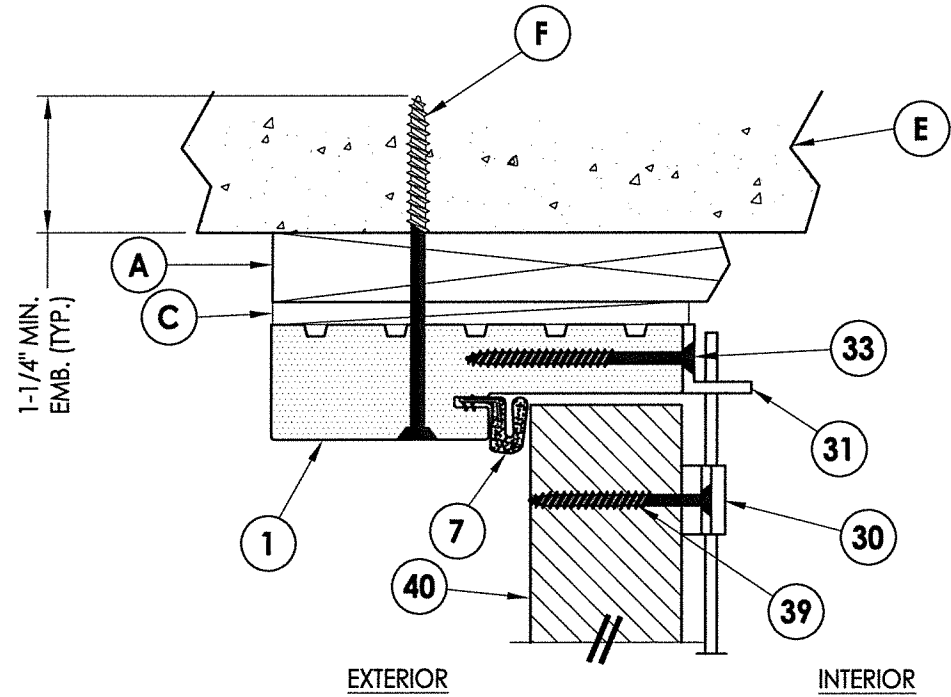
DATE: 3/10/22
SCALE: N.T.S.
DWG. BY: RW
CHK. BY: LFS
DRAWING NO.: FL-41467.2
SHEET 5 OF 10



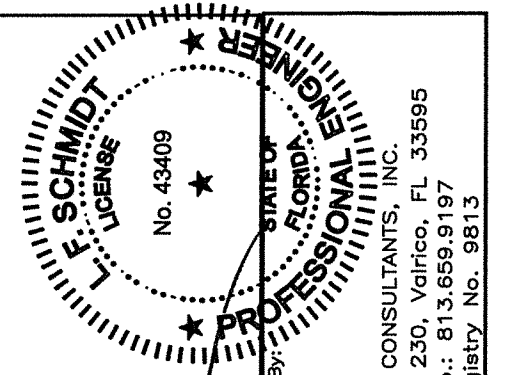
1 HORIZONTAL CROSS SECTION
6 Shown w/ 1X Buck
Outswing shown (Inswing similar)



2 VERTICAL CROSS SECTION
6 Shown w/ 1X Buck
Outswing shown

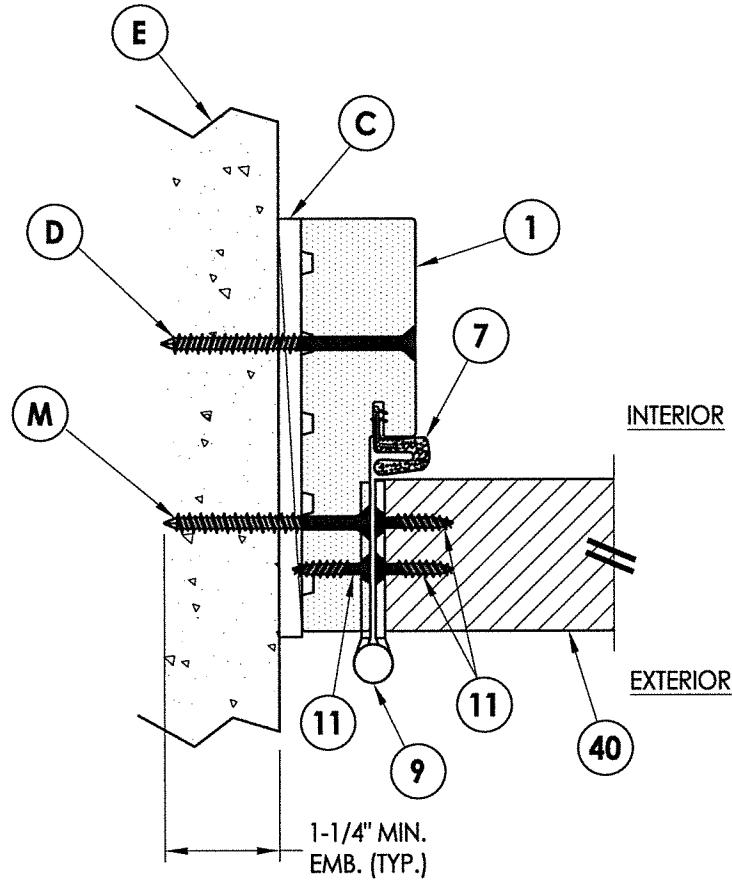


3 VERTICAL CROSS SECTION
6 Shown w/ 1X Buck
Inswing shown

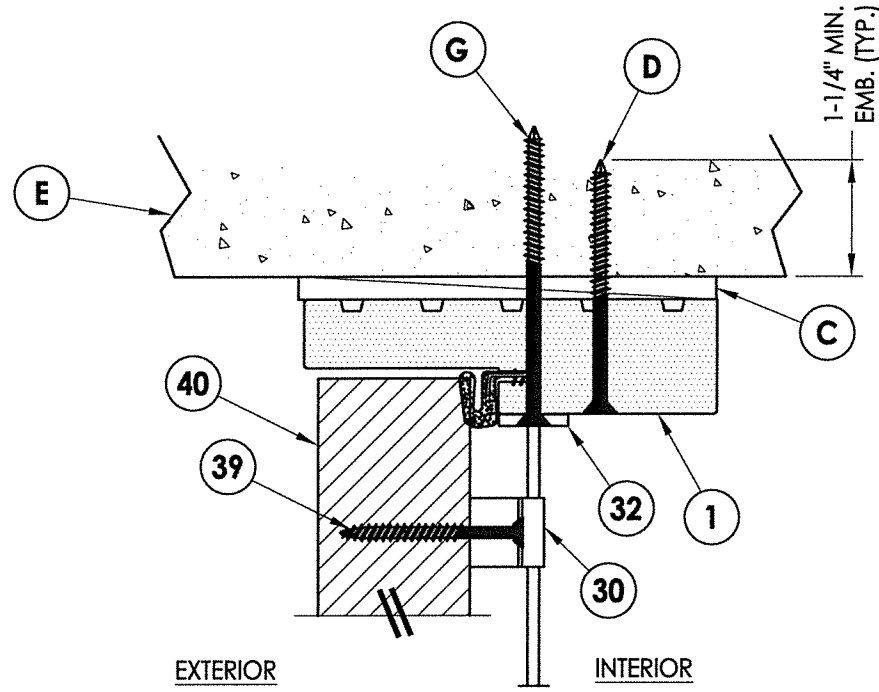


June 7, 2022
 Documents Prepared By:
 Lyndon F. Schmidt
 P.E. No. 43409
 R.W.
 BUILDING CONSULTANTS, INC.
 P.O. Box 230, Valrico, FL 33595
 Phone No.: 813.659.9197
 FBPE Registry No. 9813

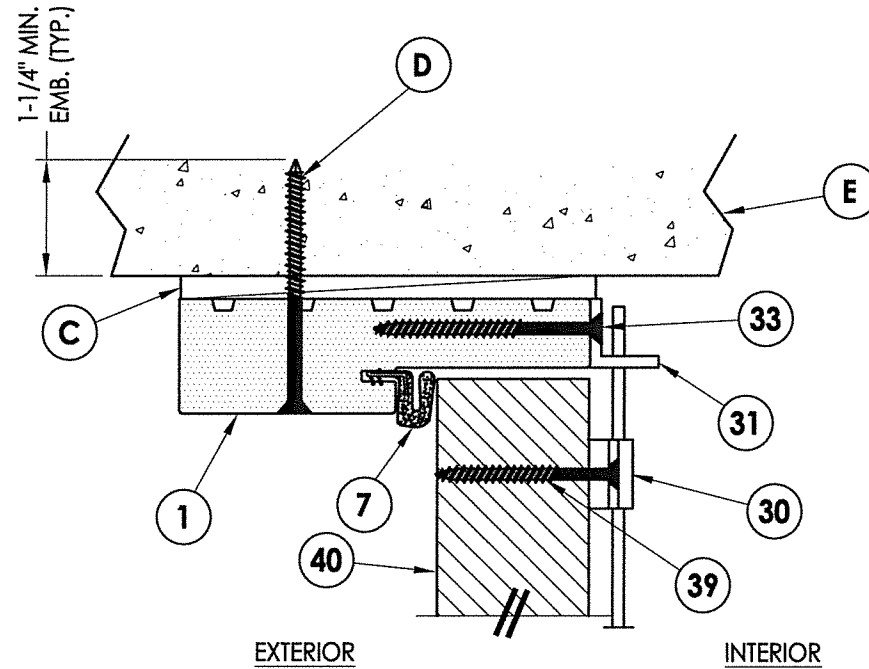
PRODUCT:		STEVES & SONS FIBERGLASS DOOR	
PART OR ASSEMBLY:		HORIZONTAL & VERTICAL CROSS SECTIONS (1X BUCK)	
NO.	DATE	BY	REVISIONS
DATE:		3/10/22	
SCALE:		N.T.S.	
DWG. BY:		RW	
CHK. BY:		LFS	
DRAWING NO.:		FL-41467.2	
SHEET		6 OF 10	



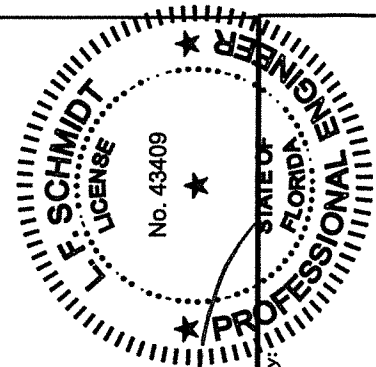
1 **HORIZONTAL CROSS SECTION**
7 Shown Direct to Masonry
 Outswing shown (Inswing similar)



2 **VERTICAL CROSS SECTION**
7 Shown Direct to Masonry
 Outswing shown



3 **VERTICAL CROSS SECTION**
7 Shown Direct to Masonry
 Inswing shown



F. Schmidt

June 7, 2022

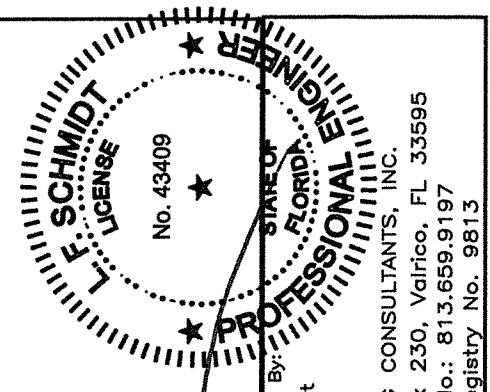
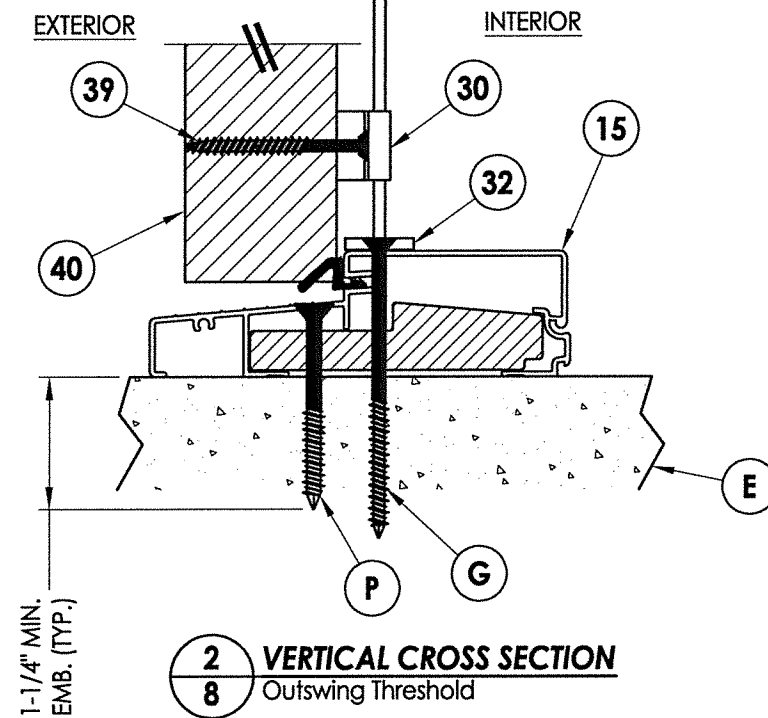
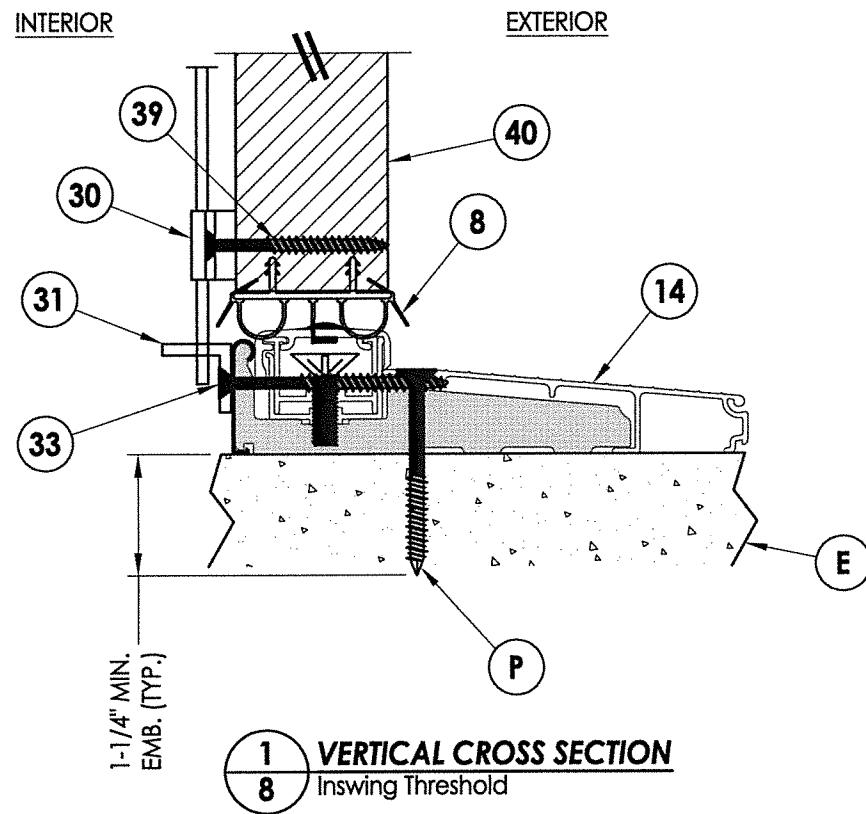
Documents Prepared By:
 Lyndon F. Schmidt
 P.E. No. 43409

RW BUILDING CONSULTANTS, INC.
 P.O. Box 230, Valrico, FL 33595
 Phone No.: 813.659.9197
 FBPE Registry No. 9813

PRODUCT:
 STEVES & SONS
 FIBERGLASS DOOR
 PART OR ASSEMBLY:
 HORIZONTAL & VERTICAL CROSS
 SECTIONS (DIRECT TO MASONRY)

NO.	DATE	BY

DATE: 3/10/22
 SCALE: N.T.S.
 DWG. BY: RW
 CHK. BY: LFS
 DRAWING NO.:
 FL-41467.2
 SHEET 7 OF 10



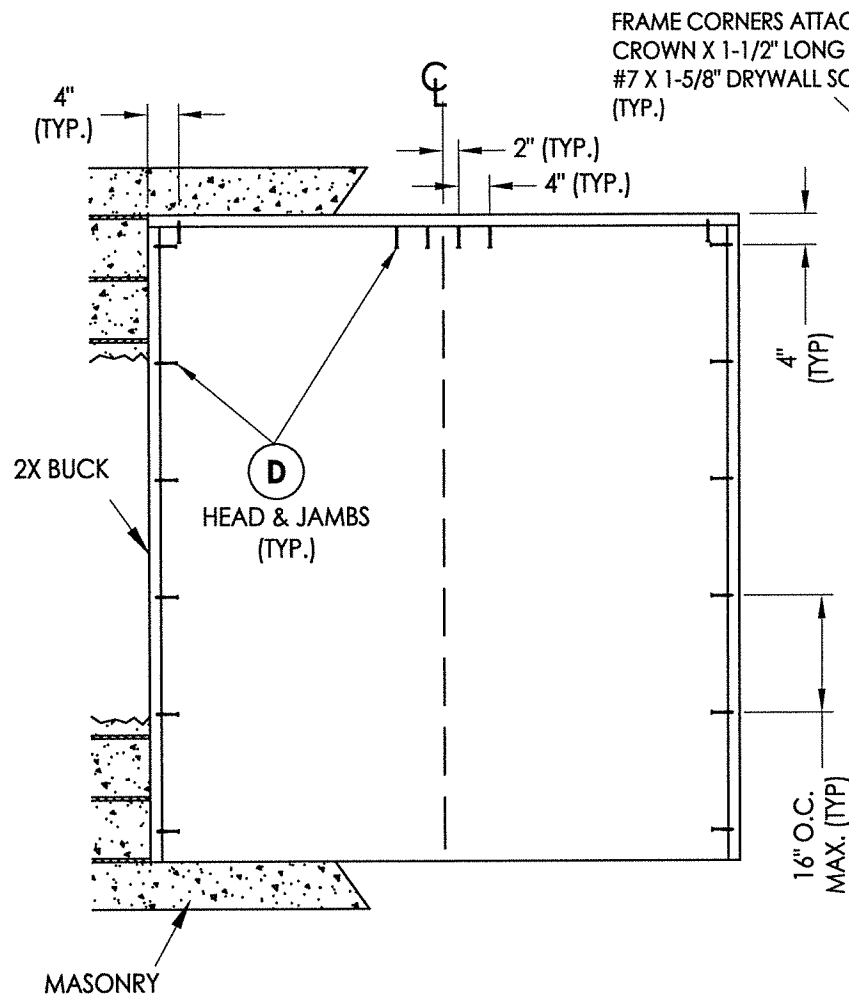
June 7, 2022
 Documents Prepared By:
 Lyndon F. Schmidt
 P.E. No. 43409
RW BUILDING CONSULTANTS, INC.
 P.O. Box 230, Valrico, FL 33595
 Phone No.: 813.659.9197
 FBPE Registry No. 9813

PRODUCT:	STEVES & SONS FIBERGLASS DOOR
PART OR ASSEMBLY:	VERTICAL CROSS SECTIONS

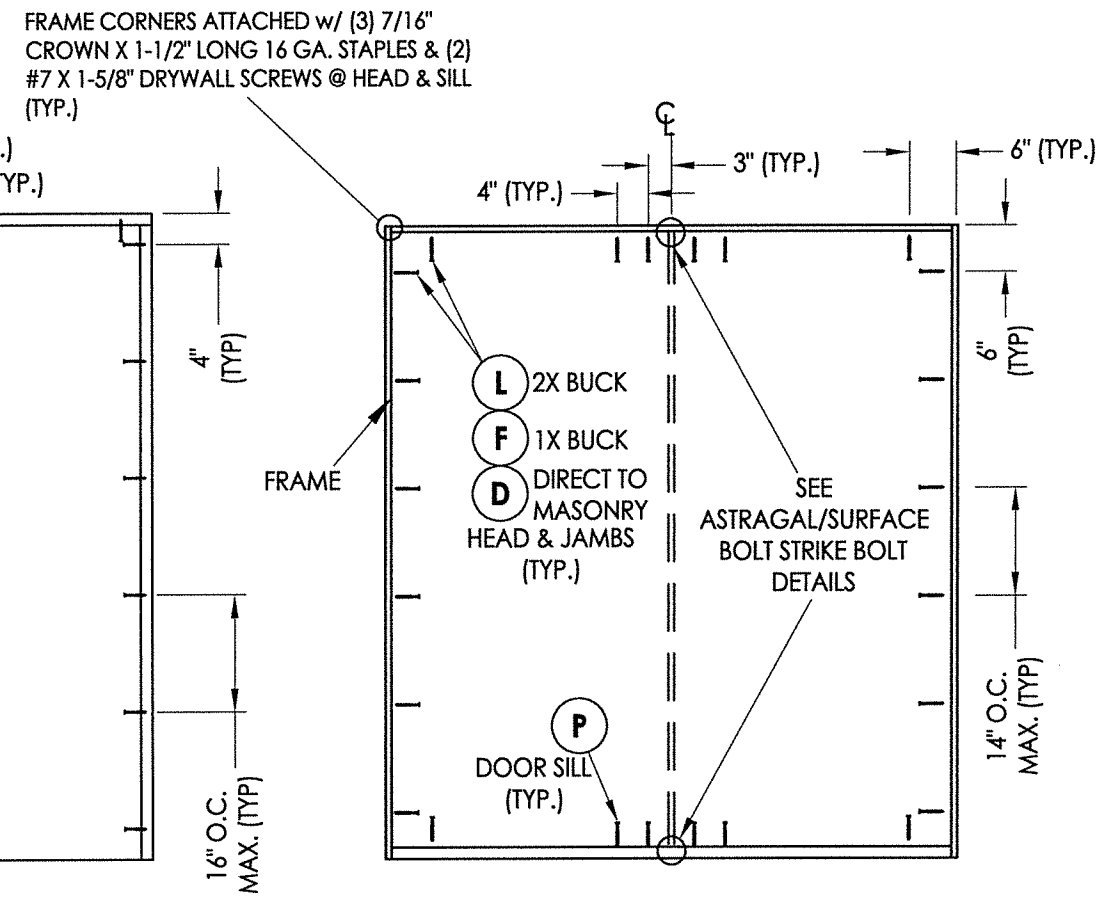
NO.	DATE	BY

DATE: 3/10/22
 SCALE: N.T.S.
 DWG. BY: RW
 CHK. BY: LFS
 DRAWING NO.: FL-41467.2
 SHEET 8 OF 10

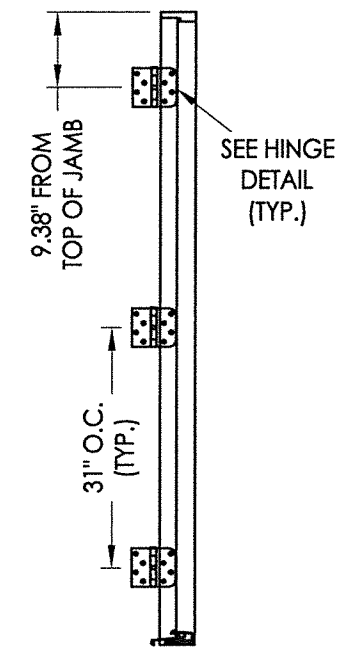
Z:\Clients\Stevens and Sons - Permanent\A - Florida Product Approvals\FL-41467 REGENCY SERIES\C - Drawings\FL-41467 (2020)\FL-41467.2.dwg



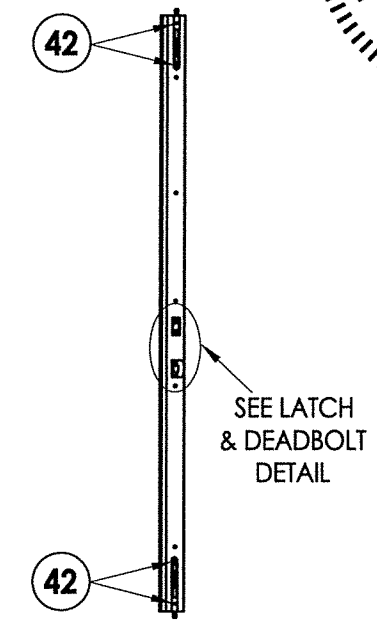
2X BUCK ANCHORING



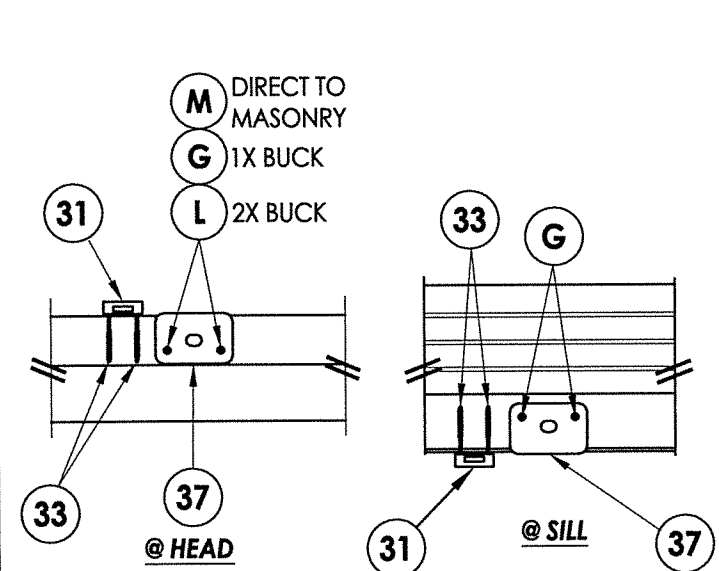
FRAME ANCHORING



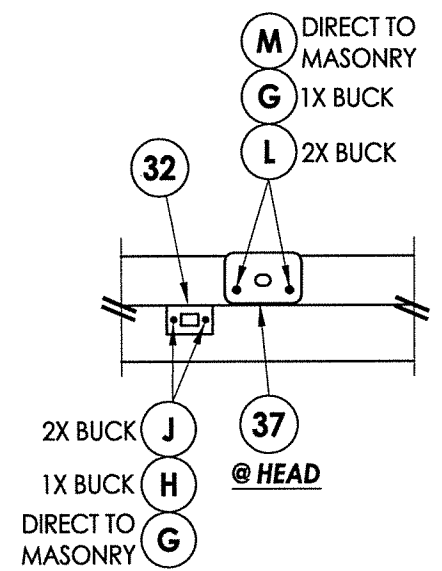
HINGE JAMB



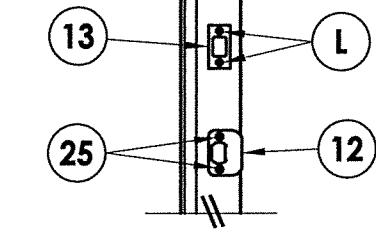
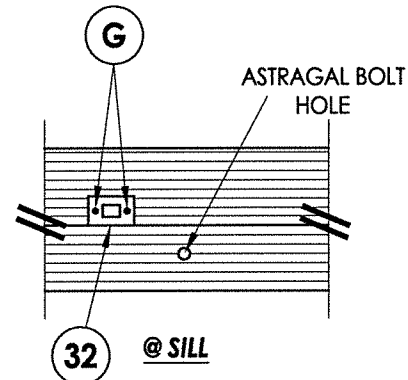
COMPOSITE ASTRAGAL
7" STEEL FLIP LOCK FLUSHBOLT (5/16" Ø)
@ EACH END OF ASTRAGAL



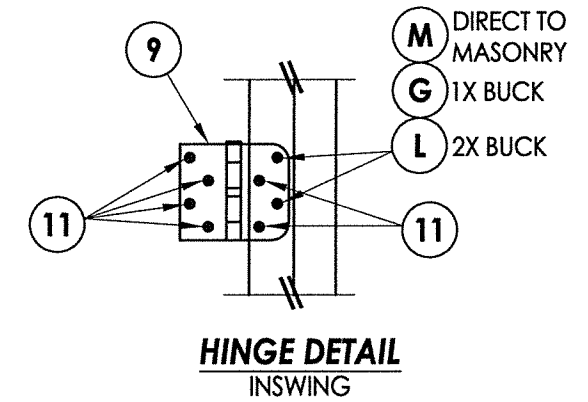
ASTRAGAL/SURFACE BOLT STRIKE PLATE DETAILS
INSWING



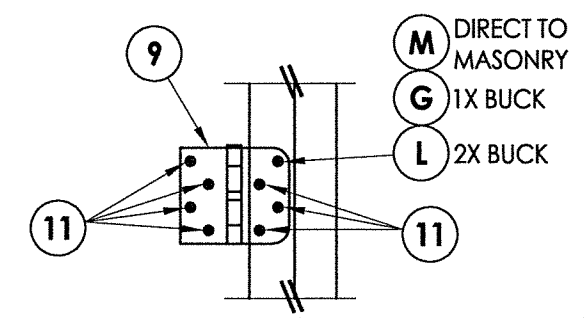
ASTRAGAL/SURFACE BOLT STRIKE PLATE DETAILS
OUTSWING



LATCH & DEADBOLT DETAIL

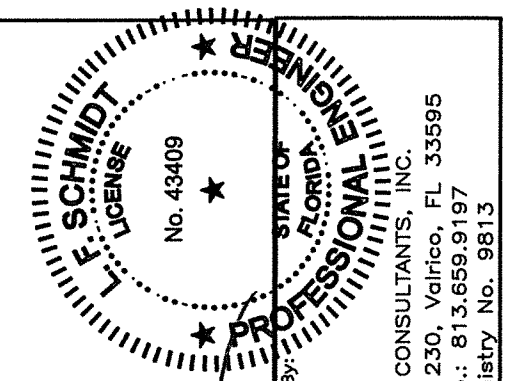


HINGE DETAIL
INSWING



HINGE DETAIL
OUTSWING

HARDWARE DETAILS



June 7, 2022
 Documents Prepared By:
 Lyndon F. Schmidt
 P.E. No. 43409
 R.W. BUILDING CONSULTANTS, INC.
 P.O. Box 230, Valrico, FL 33595
 Phone No.: 813.659.9197
 FBPE Registry No. 9813

PRODUCT:	STEVES & SONS FIBERGLASS DOOR
PART OR ASSEMBLY:	BUCK & FRAME ANCHORING & HARDWARE DETAILS

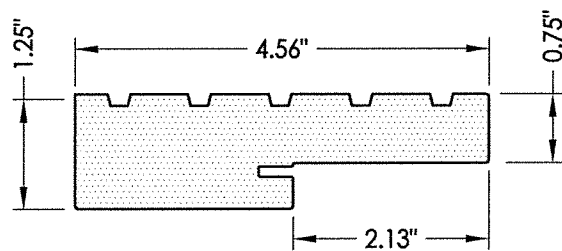
NO.	DATE	BY	REVISIONS

DATE:	3/10/22
SCALE:	N.T.S.
DWG. BY:	RW
CHK. BY:	LFS
DRAWING NO.:	FL-41467.2
SHEET	9 OF 10

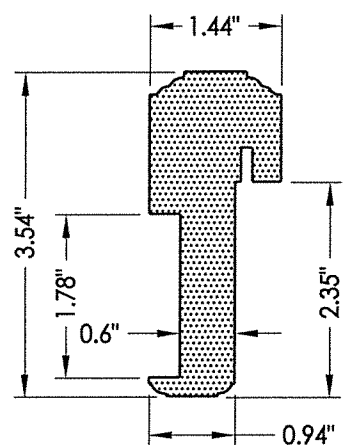
© 2022 R.W. BUILDING CONSULTANTS INC.

BILL OF MATERIALS

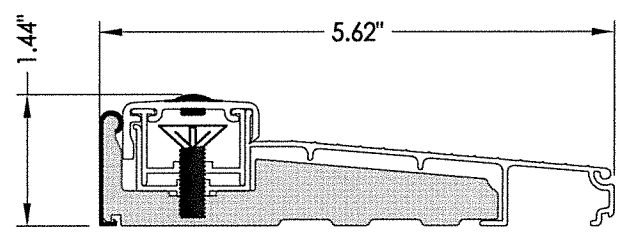
ITEM #	DESCRIPTION	MATERIAL
A	1X BUCK (G >= 0.42)	WOOD
B	2X BUCK (G >= 0.42)	WOOD
C	1/4" MAX. SHIM SPACE	-
D	1/4" X 2-3/4" PFH DeWALT OR ITW CONCRETE SCREW	STEEL
E	MASONRY - 3,000 PSI MIN. CONCRETE CONFORMING TO ACI 301 OR HOLLOW BLOCK CONFORMING TO ASTM C90	CONCRETE
F	1/4" X 3-3/4" PFH DeWALT OR ITW CONCRETE SCREW	STEEL
G	3/16" X 3-1/4" PFH ITW CONCRETE SCREW	STEEL
H	3/16" X 3-3/4" PFH ITW CONCRETE SCREW	STEEL
J	#10 X 3" PFH WOOD SCREW	STEEL
L	#10 X 2-1/2" PFH WOOD SCREW (1.15" MIN. EMB.)	STEEL
M	3/16" X 2-1/4" PFH ITW CONCRETE SCREW	STEEL
P	1/4" X 2-1/4" PFH DeWALT OR ITW CONCRETE SCREW	STEEL
1	COMPOSITE JAMB	COMP
7	WEATHERSTRIP	FOAM
8	SWEEP	VINYL
9	4" X 4" HINGE	STEEL
11	#9 X 3/4" PFH WOOD SCREW	STEEL
12	LATCH STRIKE PLATE	STEEL
13	DEADBOLT STRIKE PLATE	STEEL
14	INSWING THRESHOLD	ALUM/COMP
15	OUTSWING THRESHOLD	ALUM/COMP
25	#8 X 2-1/2" PFH WOOD SCREW	STEEL
27	#10 X 2" PFH SMS	STEEL
29	#10 X 3" FH COMPOSITE DECK SCREW	STEEL
30	8" SURFACE BOLT (HAGER 275D)	STEEL
31	SURFACE BOLT GUIDE PLATE	STEEL
32	SURFACE BOLT STRIKE PLATE	STEEL
33	#10 X 2-1/2" PFH WOOD SCREW	STEEL
37	ASTRAGAL STRIKE PLATE	STEEL
38	ASTRAGAL (COMPOSITE)	COMP
39	#10 X 2" FH SMS	STEEL
40	DOOR PANEL	-
41	#7 X 1-5/8" DRYWALL SCREWS	STEEL
42	#8 X 2-1/2" FH SMS	STEEL



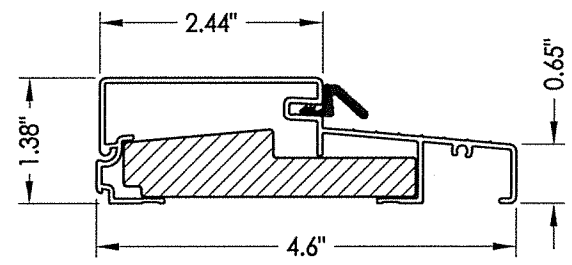
1 **COMPOSITE JAMB**
WORLDWIDE "4EVER"



38 **COMPOSITE ASTRAGAL**



14 **INSWING THRESHOLD**
Columbia



15 **OUTSWING THRESHOLD**
Columbia

CONCRETE ANCHOR NOTES:

- Concrete anchor locations at the corners may be adjusted to maintain the min. edge distance to mortar joints.
- Concrete anchor locations noted as "MAX. ON CENTER" must be adjusted to maintain the min. edge distance to mortar joints, additional concrete anchors may be required to ensure the "MAX. ON CENTER" dimension are not exceeded.
- Concrete anchor table:

ANCHOR TYPE	ANCHOR SIZE	MIN. EMBEDMENT	MIN. CLEARANCE TO MASONRY EDGE	MIN. CLEARANCE TO ADJACENT ANCHOR
ITW BUILDEX TAPCON®	3/16"	1-1/4"	3"	1-1/2"
	1/4"	1-1/4"	2"	4"
DeWALT ULTRACON®	1/4"	1-1/4"	1"	4"

WOOD SCREW INSTALLATION NOTES:

- Maintain a minimum 5/8" edge distance, 1" end distance, & 1" o.c. spacing of wood screws to prevent the splitting of wood.

June 7, 2022
 Documents Prepared By:
 Lyndon F. Schmidt
 P.E. No. 43409

R.W. BUILDING CONSULTANTS, INC.
 P.O. Box 230, Valrico, FL 33595
 Phone No.: 813.659.9197
 FBPE Registry No. 9813

PRODUCT: STEVES & SONS FIBERGLASS DOOR	PART OR ASSEMBLY: BILL OF MATERIALS & COMPONENTS
NO. DATE	BY
REVISIONS	
DATE: 3/10/22	
SCALE: N.T.S.	
DWG. BY: RW	
CHK. BY: LFS	
DRAWING NO.: FL-41467.2	
SHEET 10 OF 10	