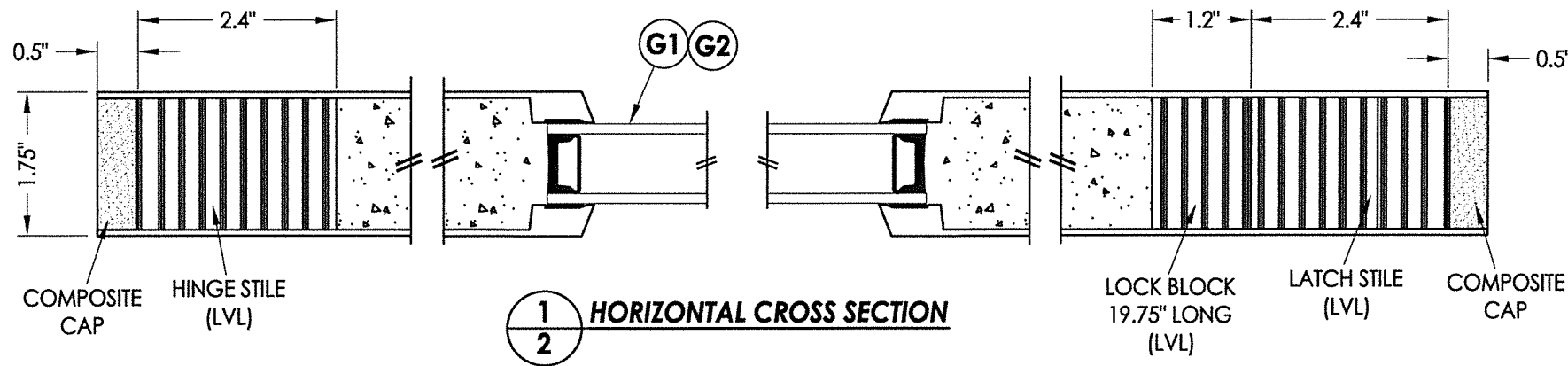
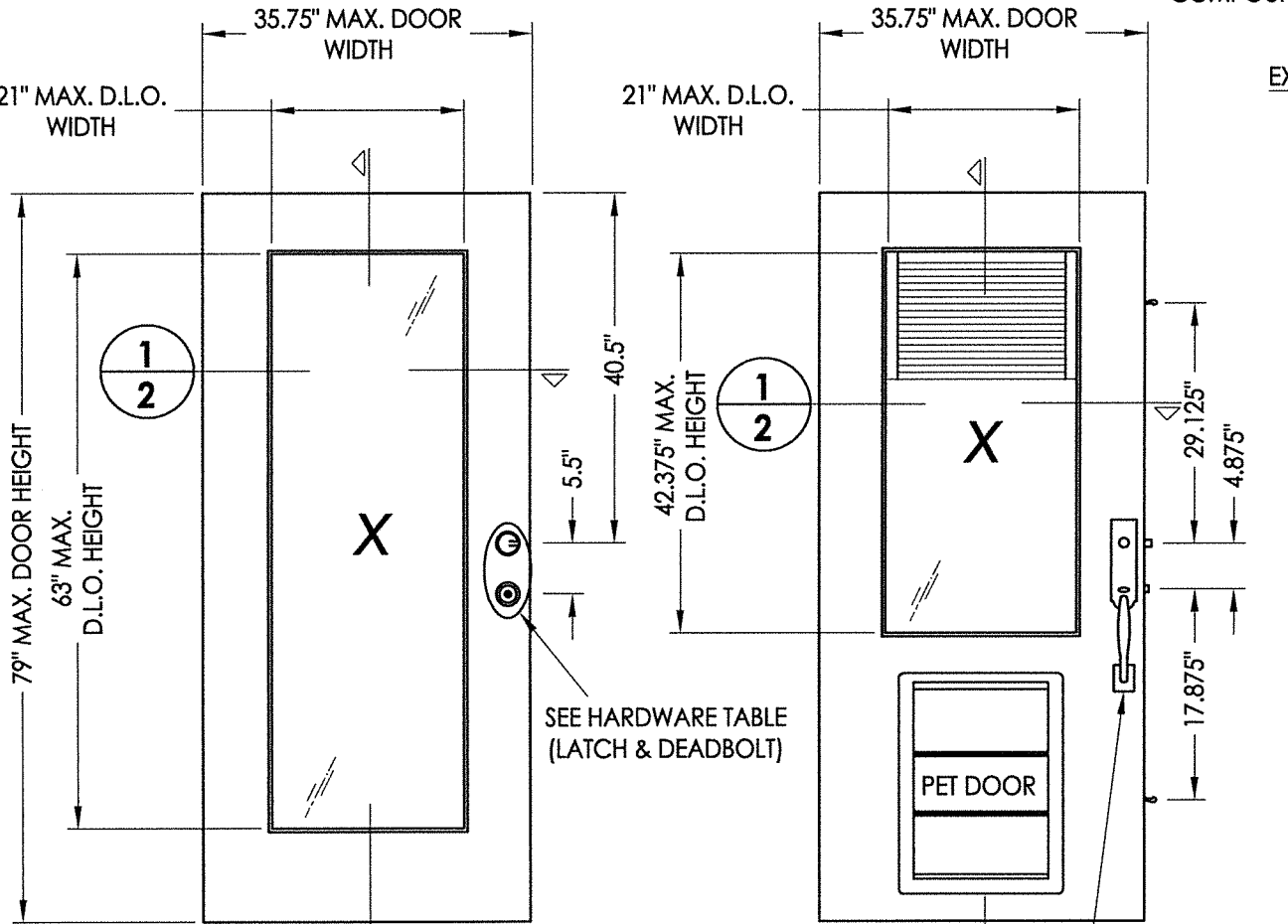




Z:\Clients\Stevens and Sons - Permanent\A - Florida Product Approvals\FL-41479 LEGACY SERIES\C - Drawings\FL-41479 (2020)\FL-41479.9.dwg



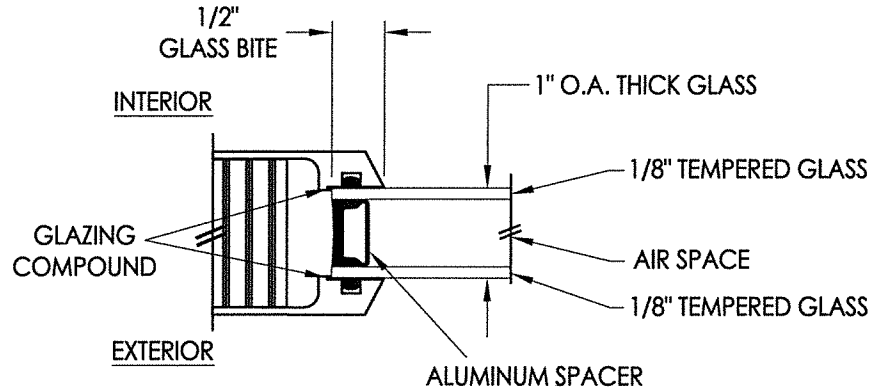
**1 HORIZONTAL CROSS SECTION**



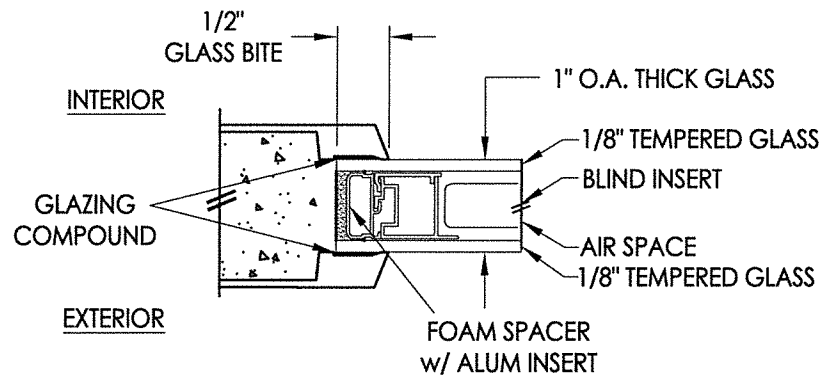
**40 FIBERGLASS DOOR PANEL**  
Full Lite

**40 FIBERGLASS DOOR PANEL**  
2/3 Lite

FIBERGLASS DOOR SKIN: MIN. 0.08\"/>

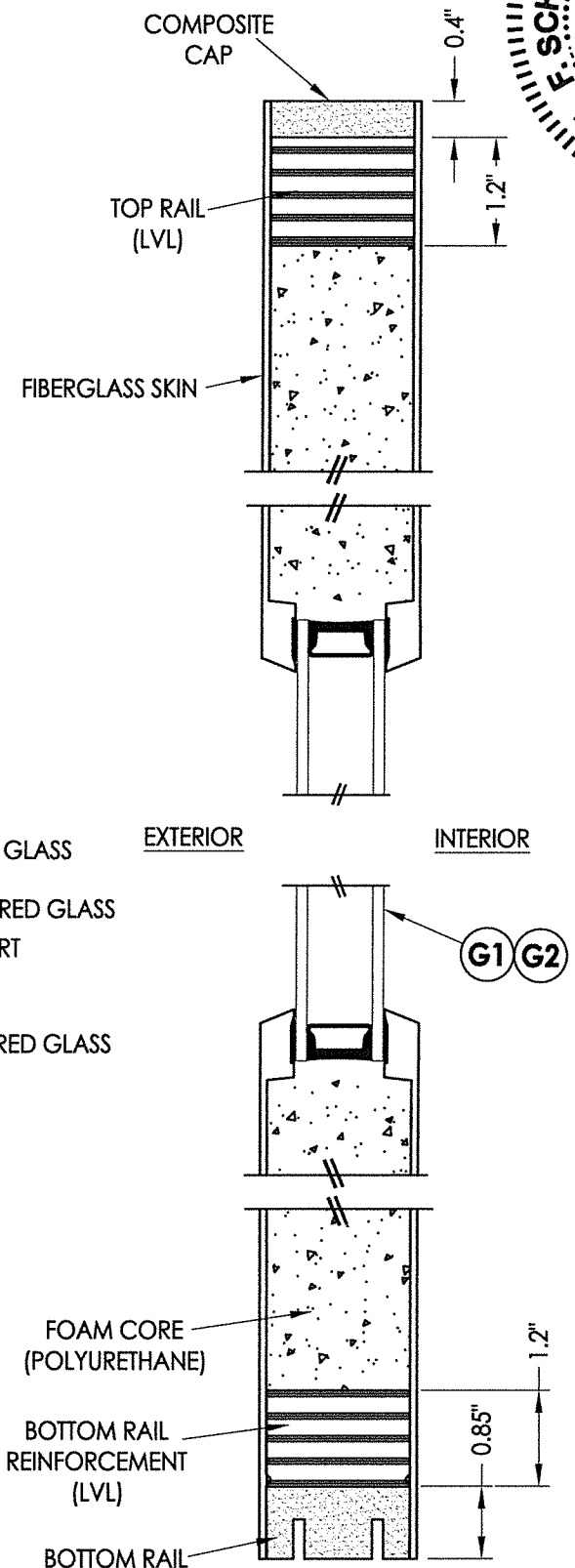


**G1 GLAZING DETAIL**



**G2 GLAZING DETAIL**  
w/ MICROBLINDS

HARDWARE TABLE	
MANUFACTURER	MODEL
KWIKSET	LATCH: SIGNATURE SERIES
	DEADBOLT: SIGNATURE SERIES (980)
SCHLAGE	LATCH: F51
	DEADBOLT: B60N
ROCKWELL	LATCH: PREMIUM HANDLESET
	DEADBOLT: PREMIUM DEADBOLT
ROCKWELL	PREMIUM MULTIPOINT HANDLESET w/ DEADLOCKING TONGUE MULTIPOINT LOCK



**2 VERTICAL CROSS SECTION**

June 7, 2022  
 Documents Prepared By: Lyndon F. Schmidt  
 P.E. No. 43409  
 BUILDING CONSULTANTS, INC.  
 P.O. Box 230, Valrico, FL 33595  
 Phone No.: 813.659.9197  
 FBPE Registry No. 9813

PRODUCT:	STEVES & SONS FIBERGLASS DOOR
PART OR ASSEMBLY:	DOOR PANEL DETAILS
NO.	DATE
BY	REVISIONS
DATE:	4/20/22
SCALE:	N.T.S.
DWG. BY:	RW
CHK. BY:	LFS
DRAWING NO.:	FL-41479.9
SHEET	2 of 12

© 2022 R.W. BUILDING CONSULTANTS INC.









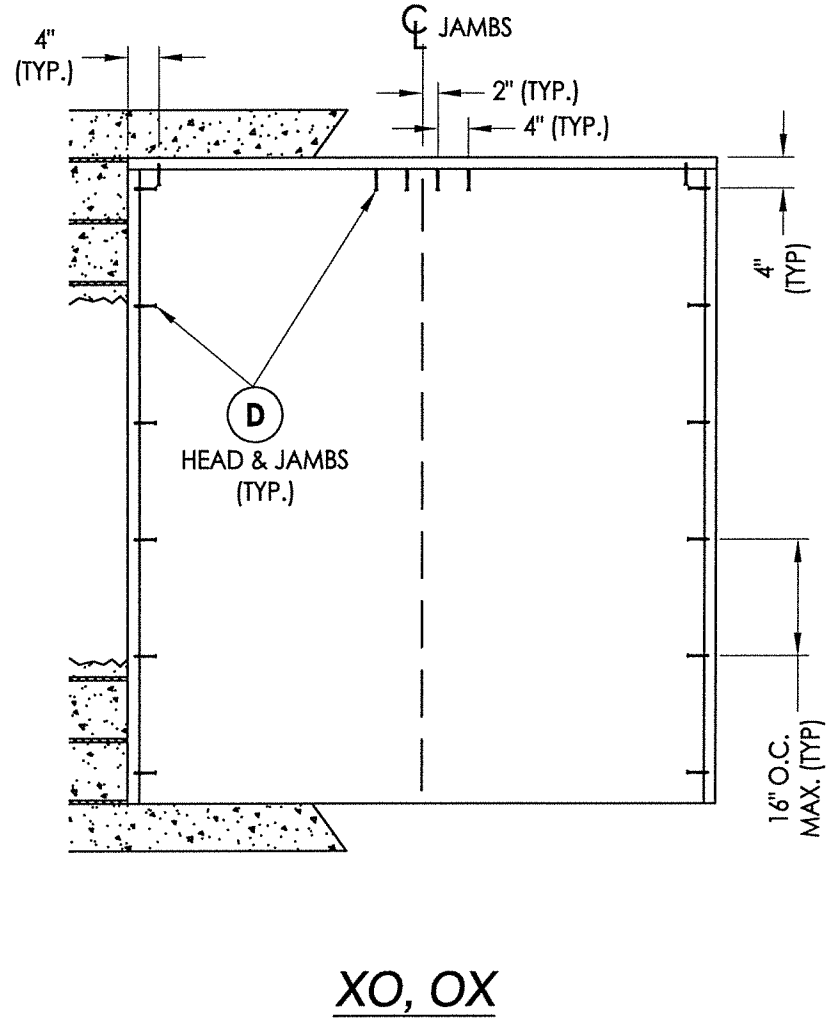
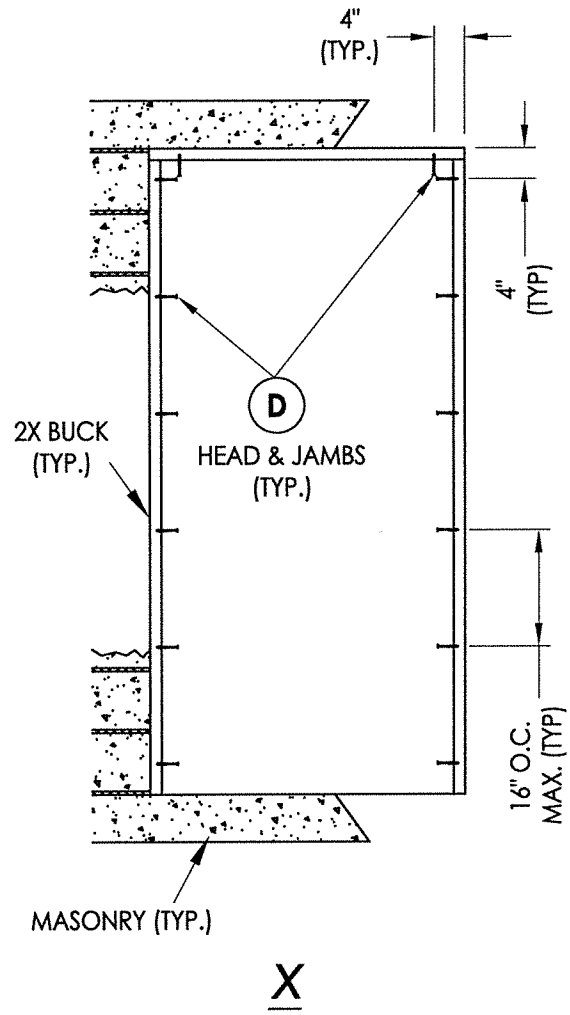




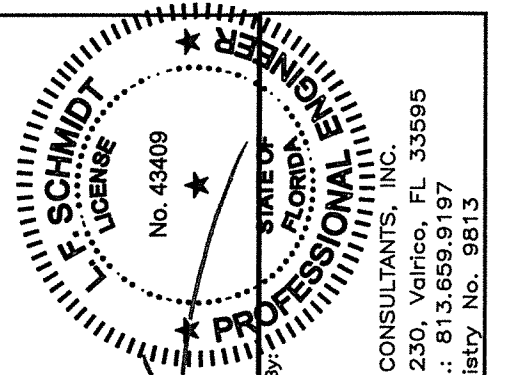








**2X BUCK ANCHORING**



*LFS*

June 7, 2022

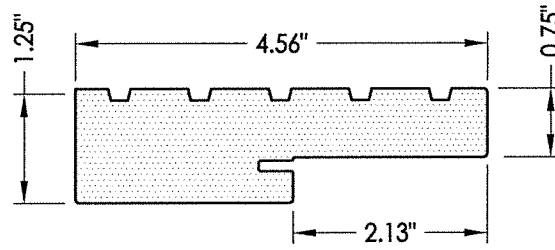
Documents Prepared By:  
Lyndon F. Schmidt  
P.E. No. 43409

*RW* BUILDING CONSULTANTS, INC.  
P.O. Box 230, Valrico, FL 33595  
Phone No.: 813.659.9197  
FBPE Registry No. 9813

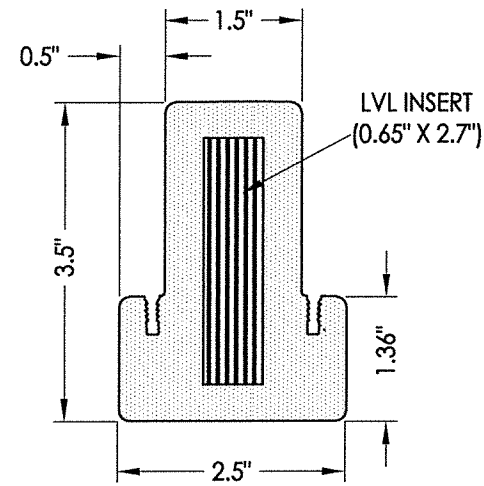
PRODUCT: STEVES & SONS FIBERGLASS DOOR	
PART OR ASSEMBLY: BUCK ANCHORING	
NO.	DATE
BY	REVISIONS
DATE: 4/20/22	
SCALE: N.T.S.	
DWG. BY: RW	
CHK. BY: LFS	
DRAWING NO.: FL-41479.9	
SHEET 10 of 12	



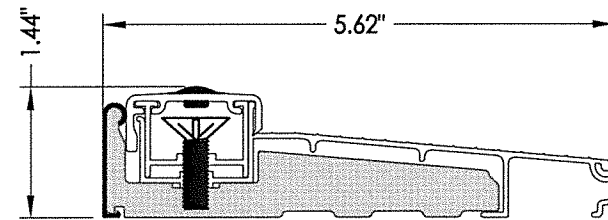
BILL OF MATERIALS		
ITEM #	DESCRIPTION	MATERIAL
A	1X BUCK (G >= 0.42)	WOOD
B	2X BUCK (G >= 0.42)	WOOD
C	1/4" MAX. SHIM SPACE	-
D	1/4" X 2-3/4" PFH DeWALT OR ITW CONCRETE SCREW	STEEL
E	MASONRY - 3,000 PSI MIN. CONCRETE CONFORMING TO ACI 301 OR HOLLOW BLOCK CONFORMING TO ASTM C90	CONCRETE
F	1/4" X 3-3/4" PFH DeWALT OR ITW CONCRETE SCREW	STEEL
G	3/16" X 3-1/4" PFH ITW CONCRETE SCREW	STEEL
L	#10 X 2-1/2" PFH WOOD SCREW (1.15" MIN. EMB.)	STEEL
M	3/16" X 2-1/4" PFH ITW CONCRETE SCREW	STEEL
P	1/4" X 2-1/4" PFH DeWALT OR ITW CONCRETE SCREW	STEEL
1	COMPOSITE JAMB	COMP
3	COMPOSITE MULLION	COMP/LVL
7	WEATHERSTRIP	FOAM
8	SWEEP	VINYL
9	4" X 4" HINGE	STEEL
11	#9 X 3/4" PFH WOOD SCREW	STEEL
12	LATCH STRIKE PLATE	STEEL
13	DEADBOLT STRIKE PLATE	STEEL
14	INSWING THRESHOLD	ALUM/COMP
15	OUTSWING THRESHOLD	ALUM/COMP
17	INSWING SIDELITE ADAPTER	PVC
18	#8 X 3" SD TRIM SCREW	STEEL
20	#9 X 1/2" PFH WOOD SCREW	STEEL
21	#12 X 2-1/2" PFH WOOD SCREW	STEEL
23	#8 X 3/4" PFH WOOD SCREW	STEEL
25	#8 X 2-1/2" PFH WOOD SCREW	STEEL
27	#7 X 1-5/8" DRYWALL SCREW	STEEL
34	MULTIPOINT LOCK STRIKE PLATE	STEEL
40	DOOR PANEL	-
50	SIDELITE PANEL	-



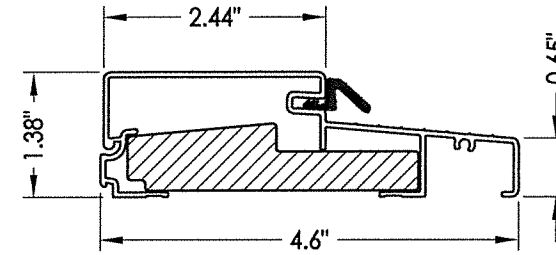
1 **COMPOSITE JAMB**  
WORLDWIDE "4EVER"



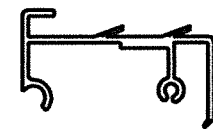
3 **COMPOSITE MULLION**



14 **INSWING THRESHOLD**  
Columbia



15 **OUTSWING THRESHOLD**  
Columbia



17 **INSWING SIDELITE SPACER**  
Columbia

**CONCRETE ANCHOR NOTES:**

- Concrete anchor locations at the corners may be adjusted to maintain the min. edge distance to mortar joints.
- Concrete anchor locations noted as "MAX. ON CENTER" must be adjusted to maintain the min. edge distance to mortar joints, additional concrete anchors may be required to ensure the "MAX. ON CENTER" dimension are not exceeded.
- Concrete anchor table:

ANCHOR TYPE	ANCHOR SIZE	MIN. EMBEDMENT	MIN. CLEARANCE TO MASONRY EDGE	MIN. CLEARANCE TO ADJACENT ANCHOR
ITW BUILDEX TAPCON®	3/16"	1-1/4"	3"	1-1/2"
	1/4"	1-1/4"	2"	4"
DeWALT ULTRACON®	1/4"	1-1/4"	1"	4"

**WOOD SCREW INSTALLATION NOTES:**

- Maintain a minimum 5/8" edge distance, 1" end distance, & 1" o.c. spacing of wood screws to prevent the splitting of wood.

June 7, 2022  
 Documents Prepared By:  
 Lyndon F. Schmidt  
 P.E. No. 43409

**R.W.**  
 BUILDING CONSULTANTS, INC.  
 P.O. Box 230, Valrico, FL 33595  
 Phone No.: 813.659.9197  
 FBPE Registry No. 9813

PRODUCT: ALL SEASONS, INC. FIBERGLASS DOOR  
 PART OR ASSEMBLY: BILL OF MATERIALS & COMPONENTS

NO.	DATE	BY	REVISIONS

DATE: 4/20/22  
 SCALE: N.T.S.  
 DWG. BY: RW  
 CHK. BY: LFS  
 DRAWING NO.: FL-41479.9  
 SHEET 12 OF 12