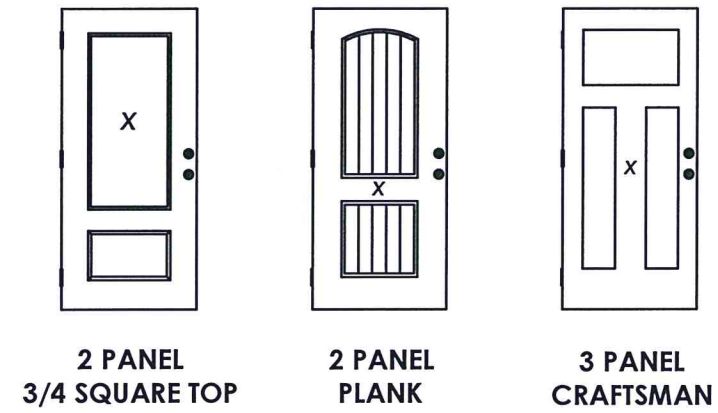


STEVE'S AND SONS

203 Humble Ave.
San Antonio, TX 78225



June 7, 2022
 Documents Prepared By: Lyndon F. Schmidt
 P.E. No. 43409
 R.W. BUILDING CONSULTANTS, INC.
 P.O. Box 230, Valrico, FL 33595
 Phone No.: 813.659.9197
 FBPE Registry No. 9813

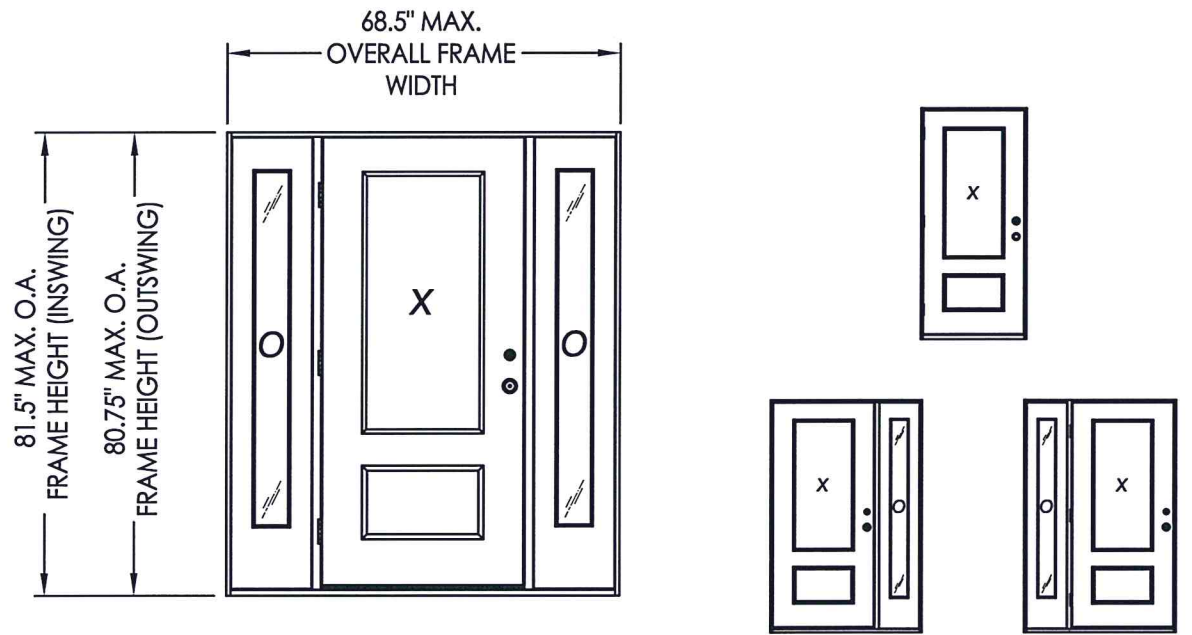
FLORIDA PROFESSIONAL ENGINEER
 L. F. SCHMIDT
 LICENSE No. 43409

OPAQUE FIBERGLASS DOOR SINGLE w/ or w/out SIDELITE(S) IN SWING/OUT SWING "NON-IMPACT"

LEGACY PANEL COLLECTION

GENERAL NOTES

1. This product has been evaluated and is in compliance with the 7th Edition (2020) Florida Building Code (FBC) structural requirements excluding the "High Velocity Hurricane Zone" (HVHZ).
2. Product anchors shall be as listed and spaced as shown on details. Anchor embedment to base material shall be beyond wall dressing or stucco.
3. When used in areas requiring wind borne debris protection this product is required to be protected with an impact resistant covering that complies with FBC Sections 1609.1.2 & R301.2.1.2 of the FBC.
4. For 2x stud framing construction, anchoring of these units shall be the same as that shown for 2x buck masonry construction.
5. Site conditions that deviate from the details of this drawing require further engineering analysis by a licensed engineer or registered architect.



CONTINUOUS HEAD & SILL

TABLE OF CONTENTS			
SHEET #	DESCRIPTION	SHEET #	
1	Typical Elevations, Design Pressures & General Notes	8	Horizontal & Vertical Cross Sections (1X Buck)
2	Door Panel Details	9	Horizontal & Vertical Cross Sections (Direct to Masonry)
3	Sidelite Panel Details	10	Vertical Cross Sections
4	Panel Options	11	Buck Anchoring
5	Elevations	12	Frame Anchoring & Hardware Details
6	Horizontal Cross Sections	13	Bill of Materials & Components
7	Horizontal & Vertical Cross Sections (2X Buck)		

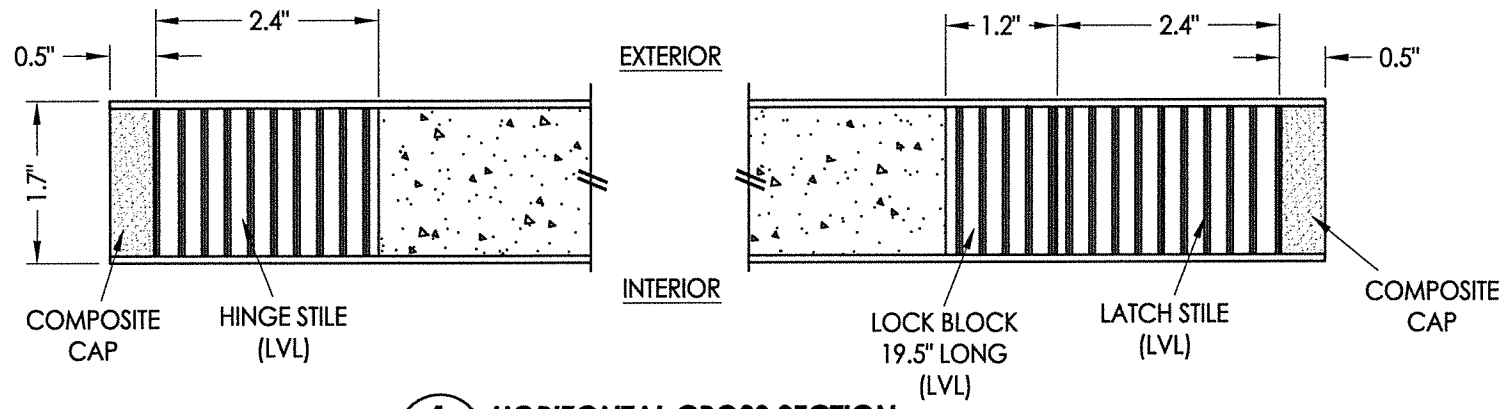
CONFIGURATION	MAX. FRAME DIMENSION	DESIGN PRESSURE (PSF) INSWING		DESIGN PRESSURE (PSF) OUTSWING	
		POSITIVE	NEGATIVE	POSITIVE	NEGATIVE
X	37.5" x 81.5"	+60.0	-60.0	+60.0	-60.0
XO, OX, OXO	68.5" x 81.5"	+40.0	-40.0	+40.0	-40.0

PRODUCT:		STEVE'S & SONS FIBERGLASS DOOR	
PART OR ASSEMBLY:		TYPICAL ELEVATION, DESIGN PRESSURES & GENERAL NOTES	
NO.	DATE	BY	REVISIONS
DATE: 4/20/22			
SCALE: N.T.S.			
DWG. BY: RW			
CHK. BY: LFS			
DRAWING NO.: FL-41479.6			
SHEET 1 OF 13			

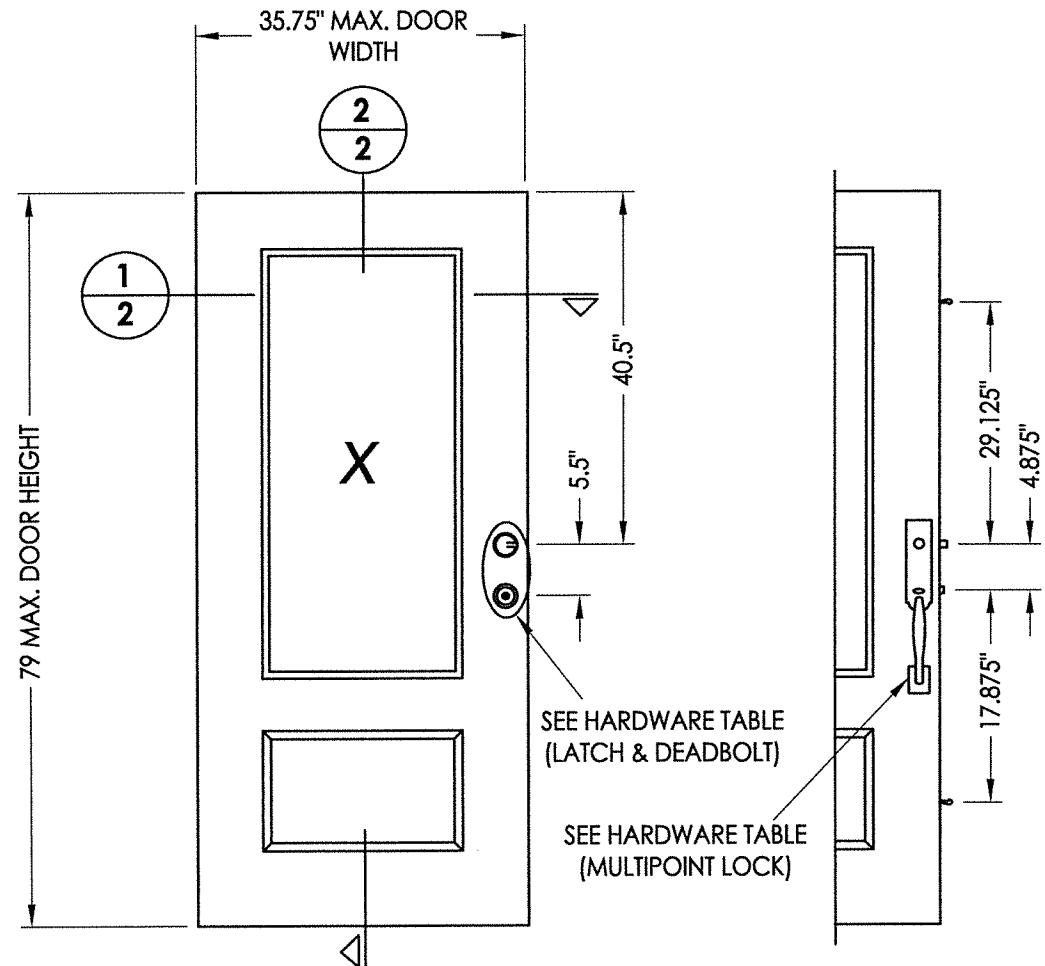
Z:\Clients\Stevens and Sons - Permanent\A - Florida Product Approvals\FL-41479 LEGACY SERIES\C - Drawings\FL-41479 (2020)\FL-41479.6.dwg

© 2022 R.W. BUILDING CONSULTANTS INC.

Z:\Clients\Steves and Sons - Permanent\A - Florida Product Approvals\FL-41479 LEGACY SERIES\C - Drawings\FL-41479 (2020)\FL-41479.6.dwg



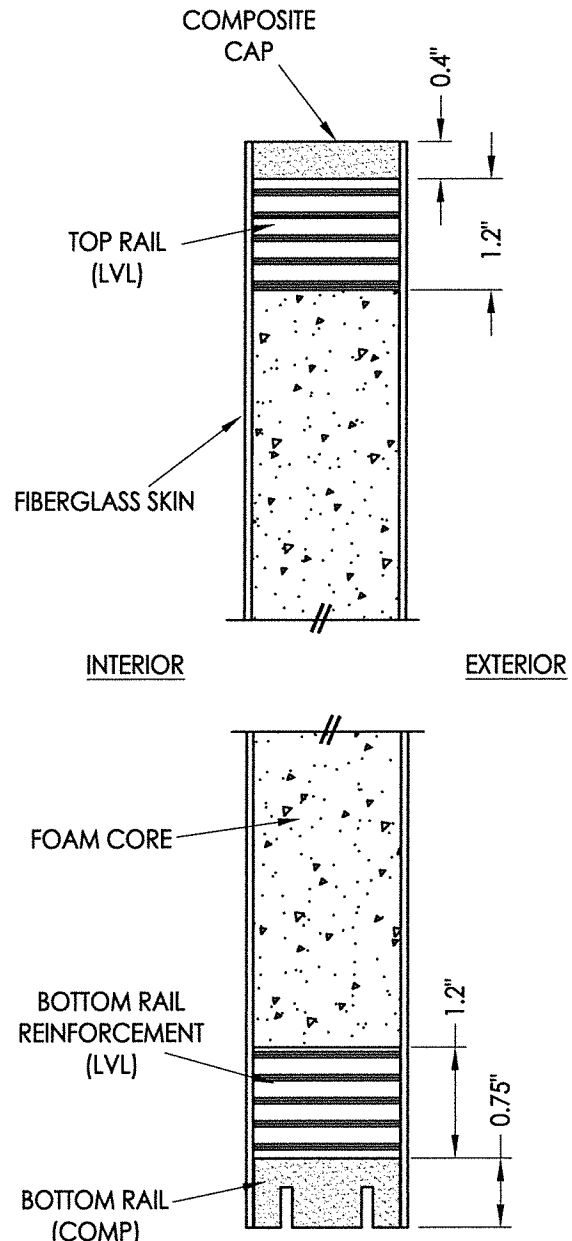
1
2 **HORIZONTAL CROSS SECTION**



40 **FIBERGLASS DOOR PANEL**

FIBERGLASS SKIN: 0.08" MIN. THK.
FOAM CORE: POLYURETHANE - 1.9 PCF MIN.)

HARDWARE TABLE		
MANUFACTURER	MODEL	
KWIKSET	LATCH: DEADBOLT:	SIGNATURE SERIES SIGNATURE SERIES (980)
SCHLAGE	LATCH: DEADBOLT:	F51 B60N
ROCKWELL	LATCH: DEADBOLT:	PREMIUM HANDLESET PREMIUM DEADBOLT
ROCKWELL	PREMIUM MULTIPOINT HANDLESET w/ DEADLOCKING TONGUE MULTIPOINT LOCK	



2
2 **VERTICAL CROSS SECTION**

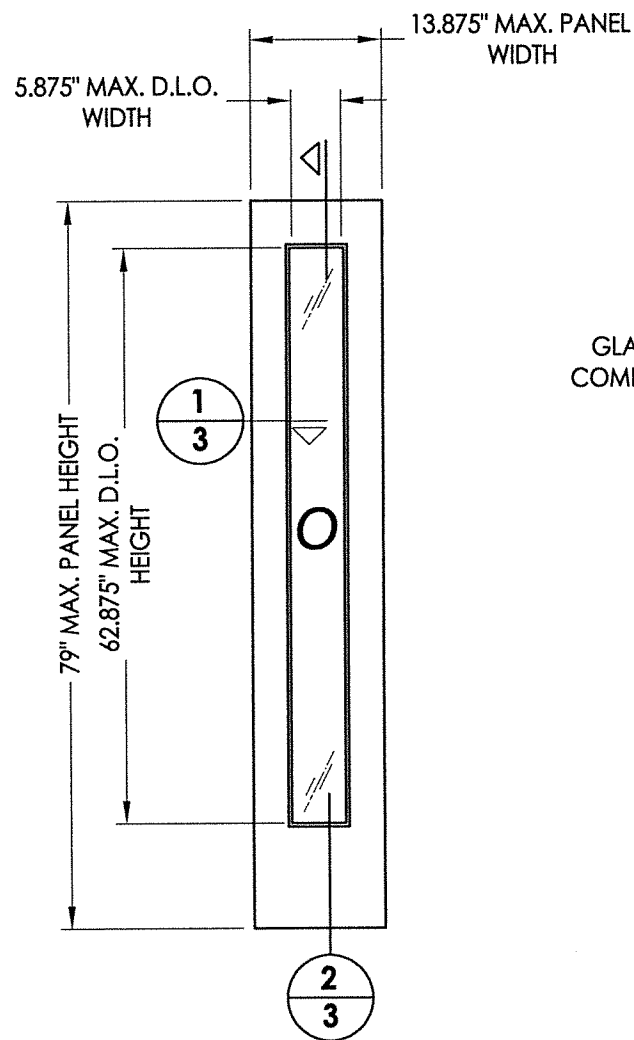
June 7, 2022
 Documents Prepared By: Lyndon F. Schmidt
 P.E. No. 43409
 BUILDING CONSULTANTS, INC.
 P.O. Box 230, Valrico, FL 33595
 Phone No.: 813.659.9197
 FBPE Registry No. 9813

FL SCHMIDT
 LICENSE
 No. 43409
 STATE OF FLORIDA
 PROFESSIONAL ENGINEER

RW

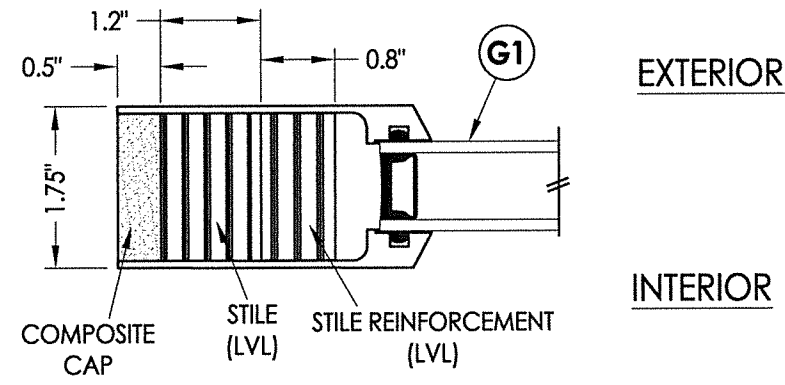
PRODUCT:	STEVES & SONS FIBERGLASS DOOR	
PART OR ASSEMBLY:	DOOR PANEL DETAILS	
NO.	DATE	BY
REVISIONS		
DATE: 4/20/22		
SCALE: N.T.S.		
DWG. BY: RW		
CHK. BY: LFS		
DRAWING NO.: FL-41479.6		
SHEET 2 OF 13		

© 2022 R.W. BUILDING CONSULTANTS INC.

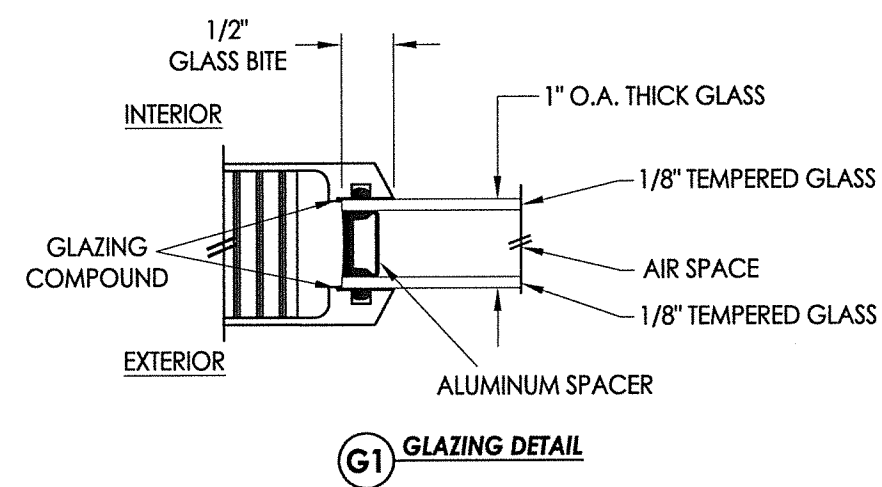


50 FIBERGLASS SIDELITE PANEL

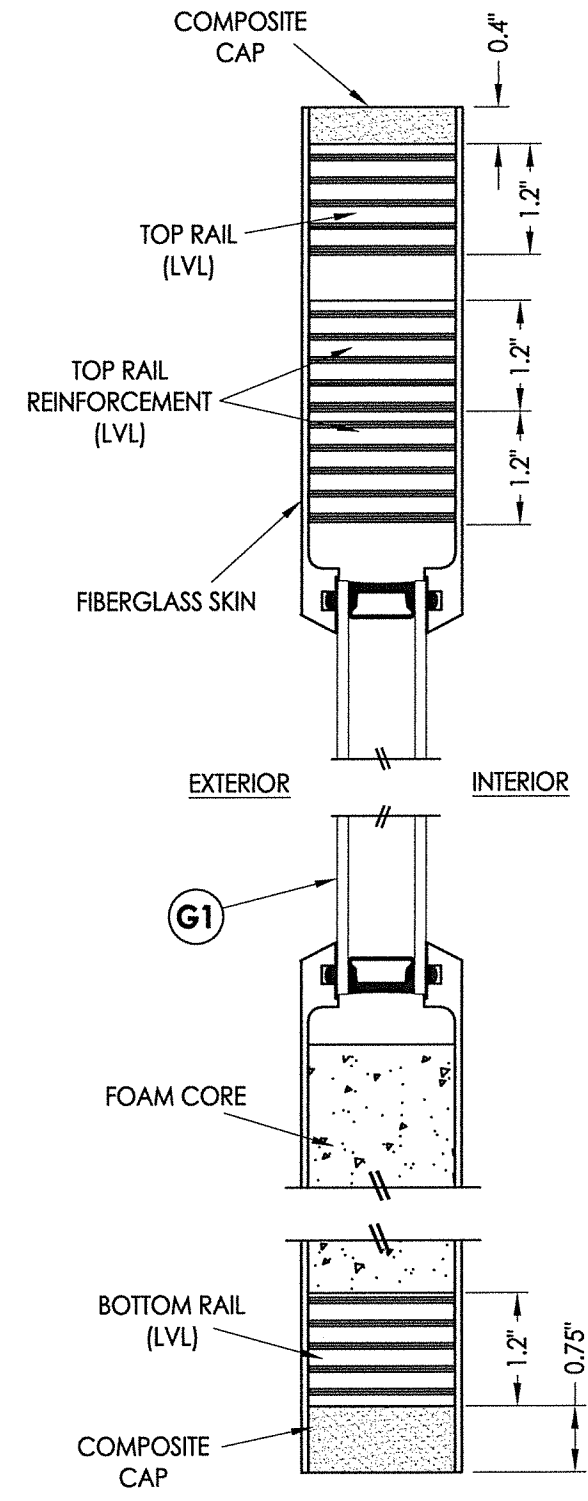
FIBERGLASS SKIN: 0.08" MIN. THK.
FOAM CORE: POLYURETHANE - 1.9 PCF MIN.)



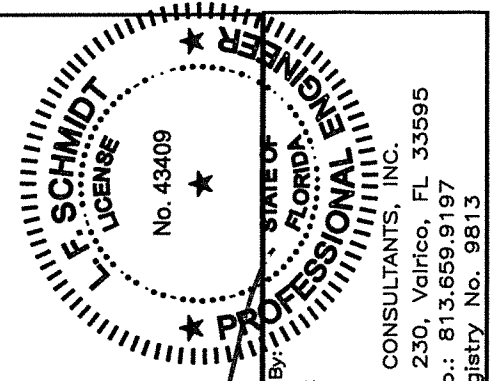
1 HORIZONTAL CROSS SECTION



G1 GLAZING DETAIL

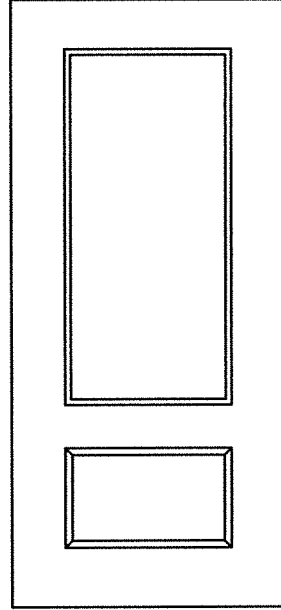


2 VERTICAL CROSS SECTION

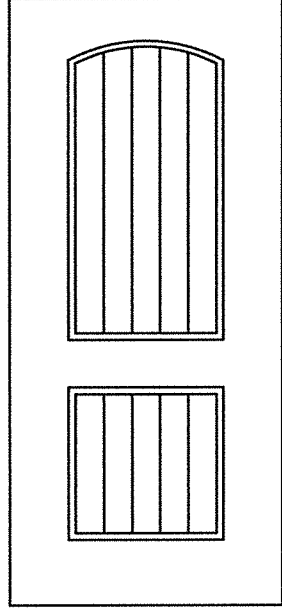


June 7, 2022
 Documents Prepared By:
 Lyndon F. Schmidt
 P.E. No. 43409
 R.W.
 BUILDING CONSULTANTS, INC.
 P.O. Box 230, Valrico, FL 33595
 Phone No.: 813.659.9197
 FBPE Registry No. 9813

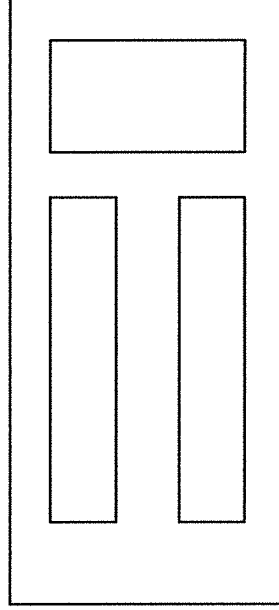
PRODUCT:	STEVES & SONS FIBERGLASS DOOR	
PART OR ASSEMBLY:	SIDELITE PANEL DETAILS	
NO.	DATE	BY
REVISIONS		
DATE:	4/20/22	
SCALE:	N.T.S.	
DWG. BY:	RW	
CHK. BY:	LFS	
DRAWING NO.:	FL-41479.6	
SHEET	3	OF 13



**2 PANEL
3/4 SQUARE TOP**

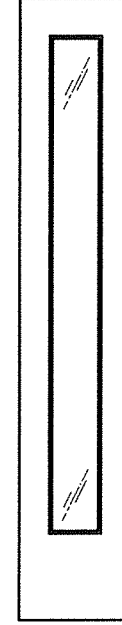


**2 PANEL
PLANK**



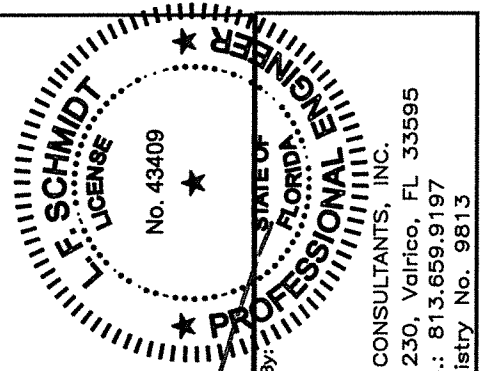
**3 PANEL
CRAFTSMAN**


LEGACY PANEL COLLECTION



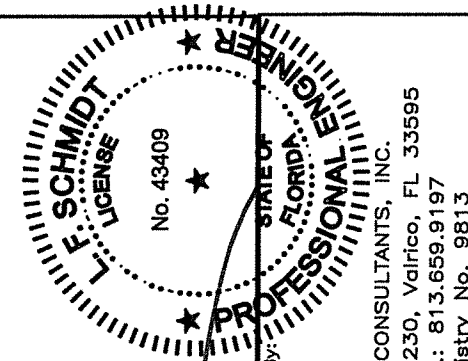
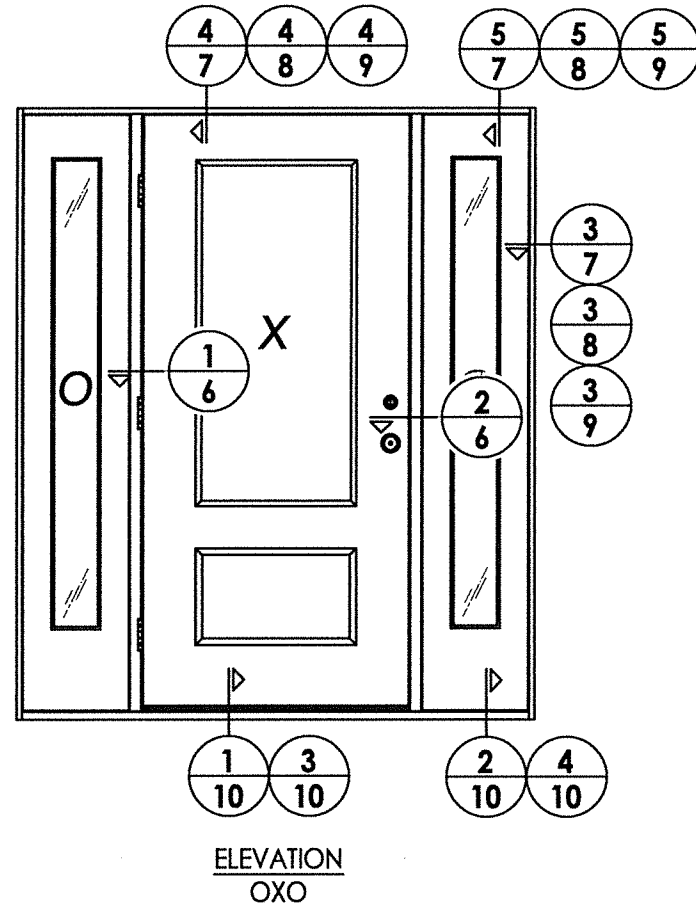
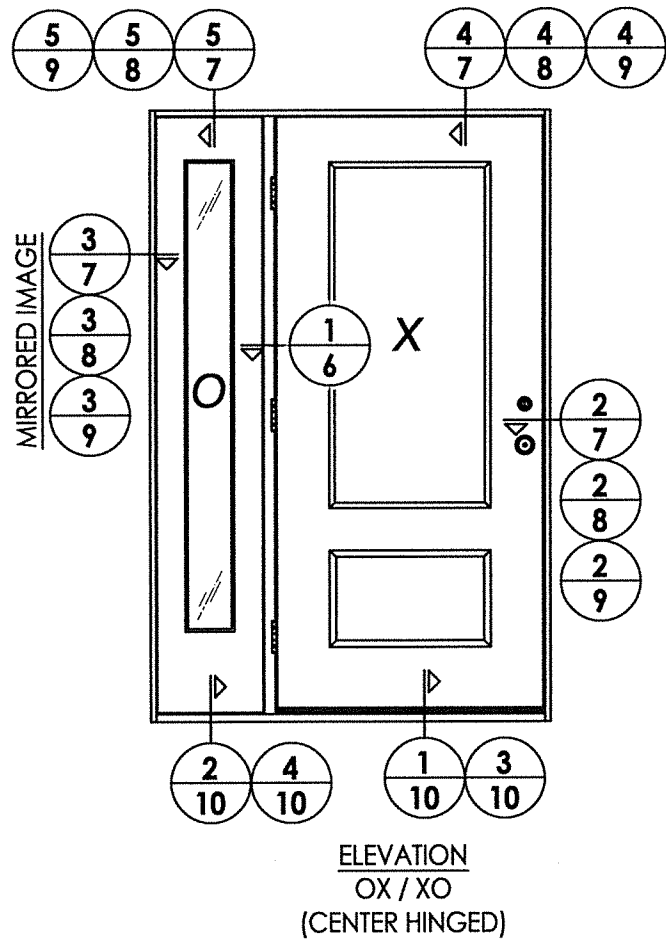
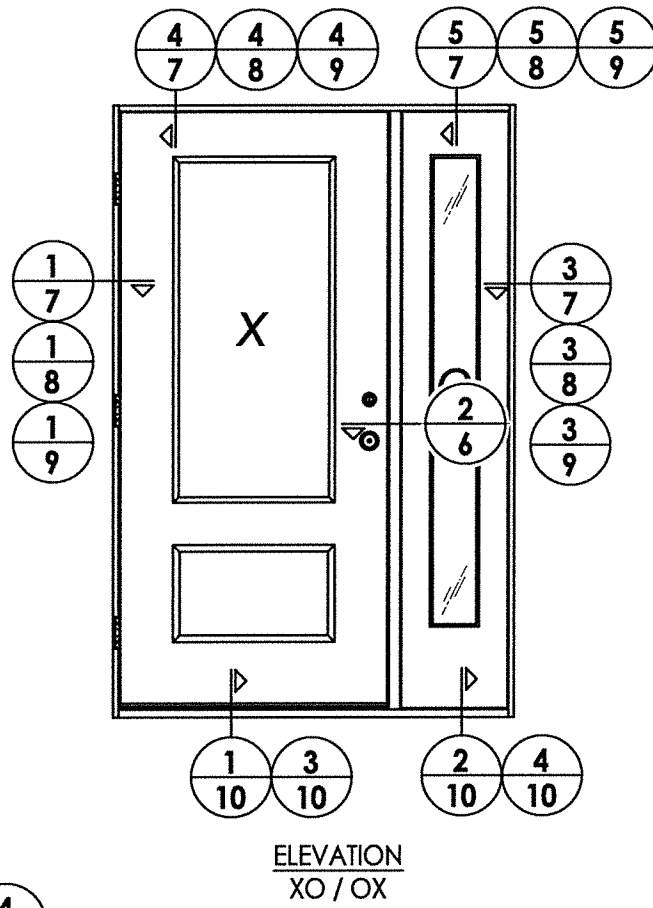
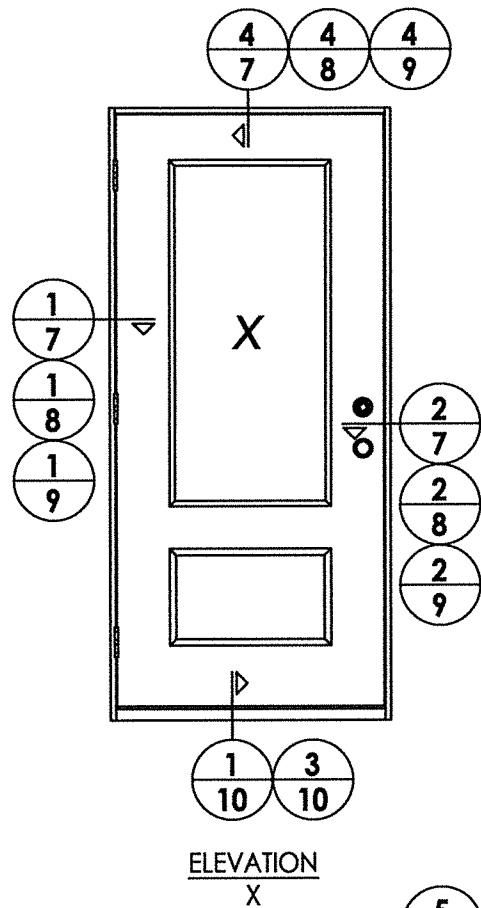
FULL LITE

LEGACY SIDELITE




 June 7, 2022
 Documents Prepared By:
 Lyndon F. Schmidt
 P.E. No. 43409
RW
 BUILDING CONSULTANTS, INC.
 P.O. Box 230, Vairico, FL 33595
 Phone No.: 813.659.9197
 FBPE Registry No. 9813

PRODUCT: STEVES & SONS FIBERGLASS DOOR		PART OR ASSEMBLY: PANEL OPTIONS
NO.	DATE	
REVISIONS	BY	DATE
DATE: 4/20/22		
SCALE: N.T.S.		
DWG. BY: RW		
CHK. BY: LFS		
DRAWING NO.: FL-41479.6		
SHEET 4 OF 13		



LFS

June 7, 2022

Documents Prepared By:
Lyndon F. Schmidt
P.E. No. 43409

RW

BUILDING CONSULTANTS, INC.
P.O. Box 230, Valrico, FL 33595
Phone No.: 813.659.9197
FBPE Registry No. 9813

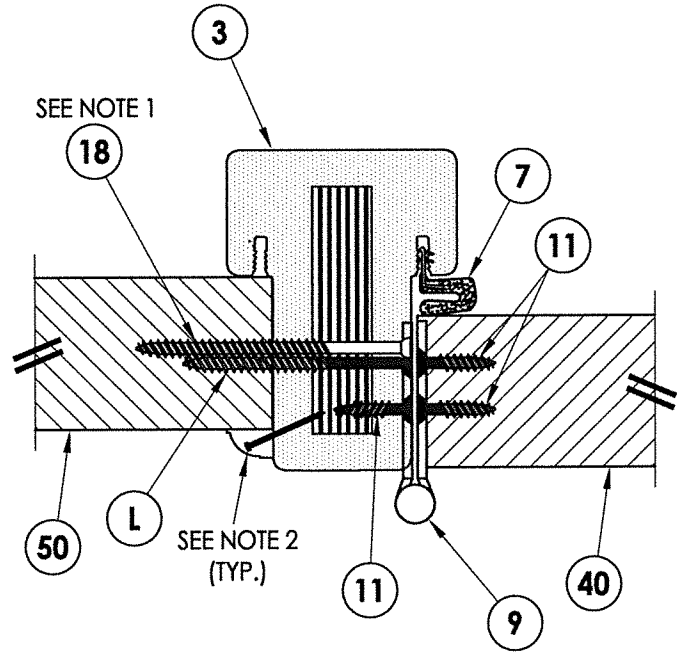
PRODUCT: STEVES & SONS
FIBERGLASS DOOR
PART OR ASSEMBLY: ELEVATIONS

NO.	DATE	BY	REVISIONS

DATE: 4/20/22
SCALE: N.T.S.
DWG. BY: RW
CHK. BY: LFS
DRAWING NO.: FL-41479.6
SHEET 5 of 13

NOTES:

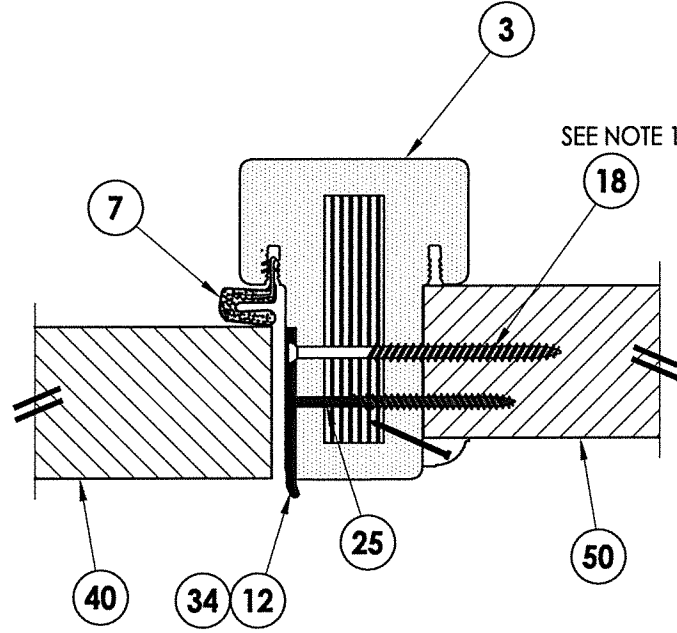
1. Sidelite assembly screws located @ 3" & 19" from each end of mullion (4 total).
2. Moulding secured w/ 16 GA. X 1" brad nails located 1" from ends & 6" o.c. max.



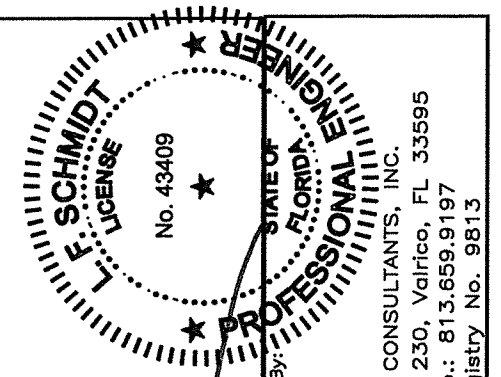
1 HORIZONTAL CROSS SECTION
6 Outswing shown (Inswing similar)

INTERIOR

EXTERIOR



2 HORIZONTAL CROSS SECTION
6 Outswing shown (Inswing similar)



LFS

June 7, 2022

Documents Prepared By:
Lyndon F. Schmidt
P.E. No. 43409

RW BUILDING CONSULTANTS, INC.
P.O. Box 230, Vairico, FL 33595
Phone No.: 813.659.9197
FBPE Registry No. 9813

PRODUCT:
STEVES & SONS
FIBERGLASS DOOR

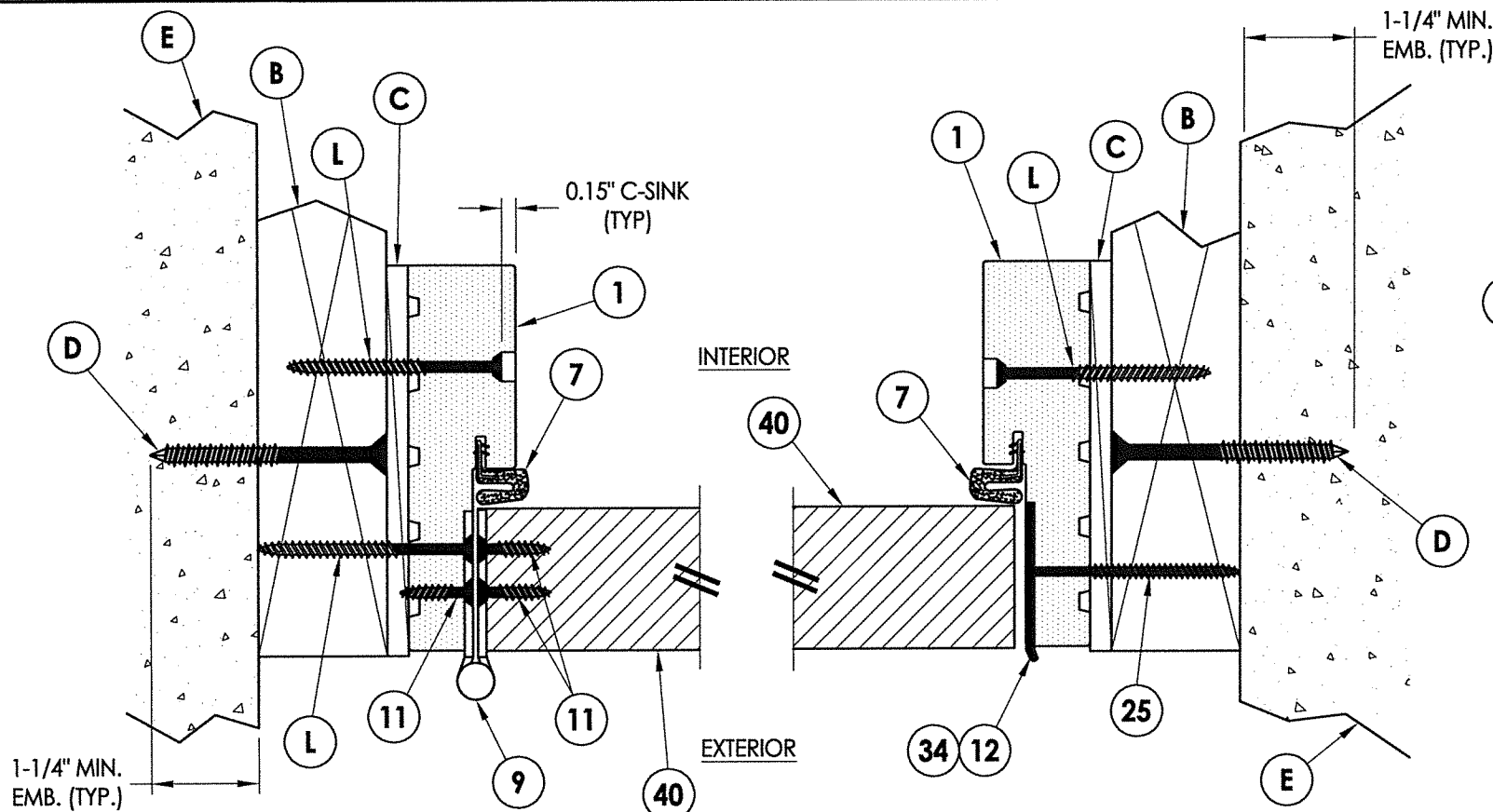
PART OR ASSEMBLY:
HORIZONTAL
CROSS SECTIONS

NO.	DATE	BY

DATE: 4/20/22
SCALE: N.T.S.
DWG. BY: RW
CHK. BY: LFS
DRAWING NO.:
FL-41479.6
SHEET 6 OF 13

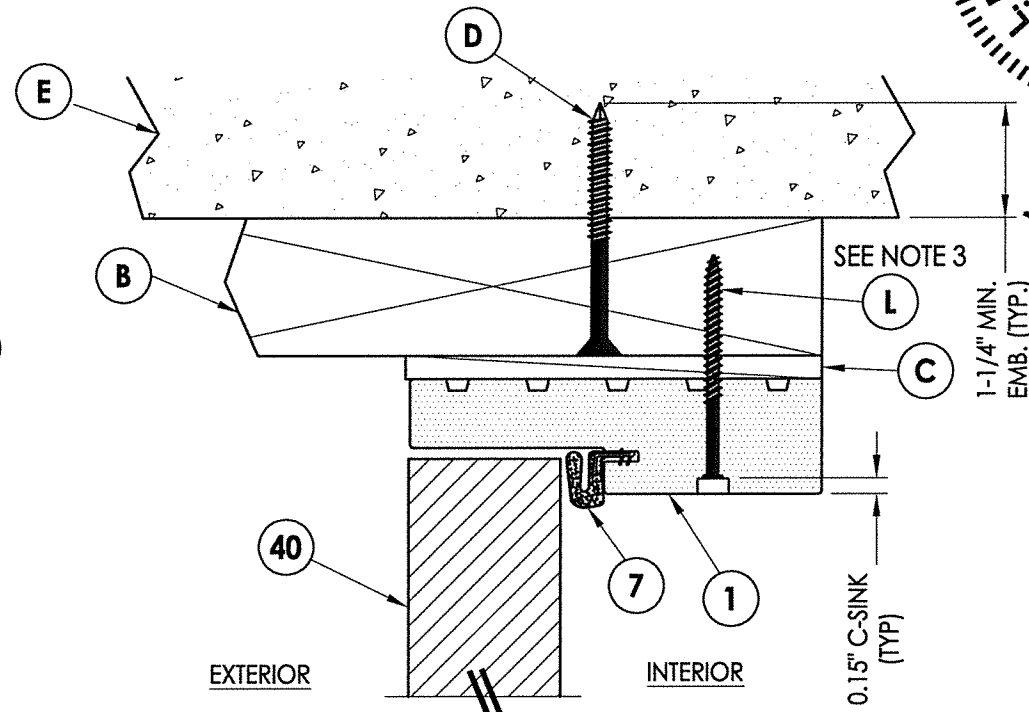
REVISIONS

Z:\Clients\Steves and Sons - Permanent\A - Florida Product Approvals\FL-41479 LEGACY SERIES\C - Drawings\FL-41479 (2020)\FL-41479.6.dwg

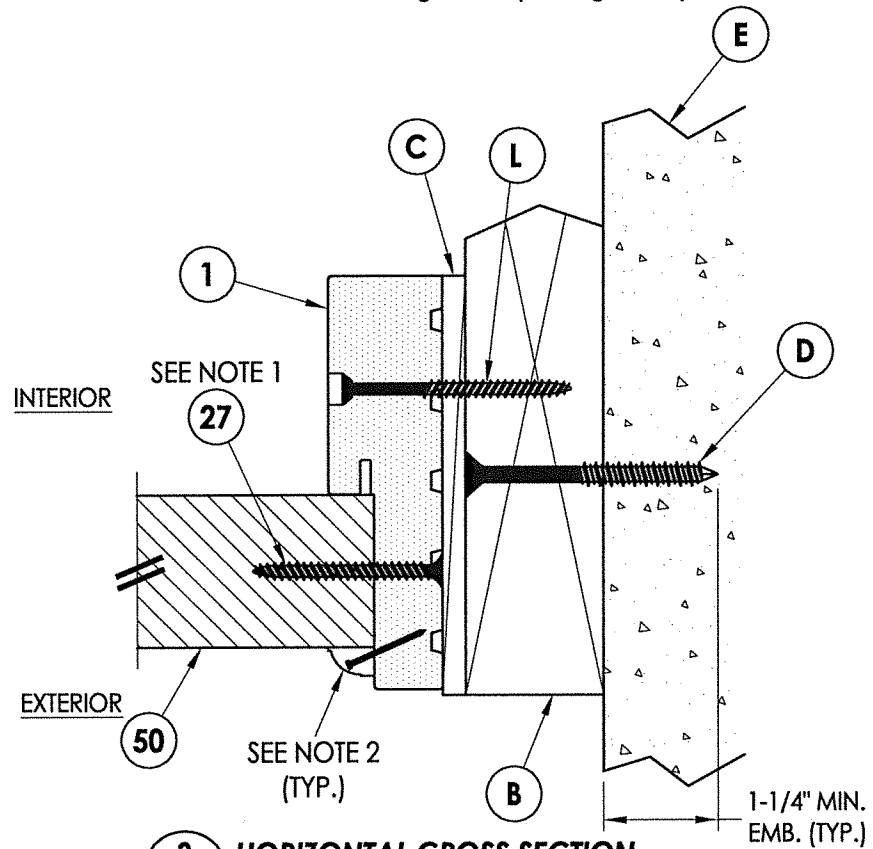


1
7 **HORIZONTAL CROSS SECTION**
Shown w/ 2X Buck
Outswing shown (Inswing similar)

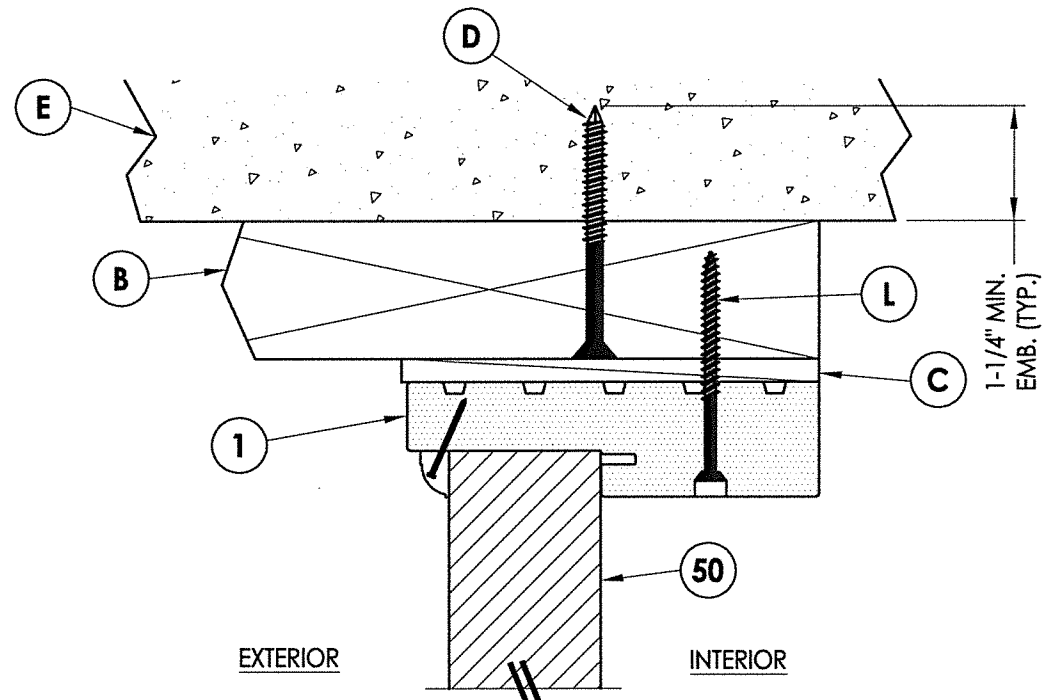
2
7 **HORIZONTAL CROSS SECTION**
Shown w/ 2X Buck
Outswing shown (Inswing similar)



4
7 **VERTICAL CROSS SECTION**
Shown w/ 2X Buck
Outswing shown (Inswing similar)



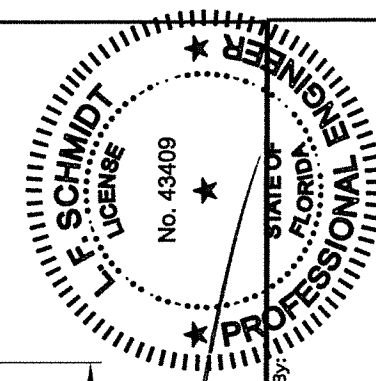
3
7 **HORIZONTAL CROSS SECTION**
Shown w/ 2X Buck
Outswing shown (Inswing similar)



5
7 **VERTICAL CROSS SECTION**
Shown w/ 2X Buck
Outswing shown (Inswing similar)

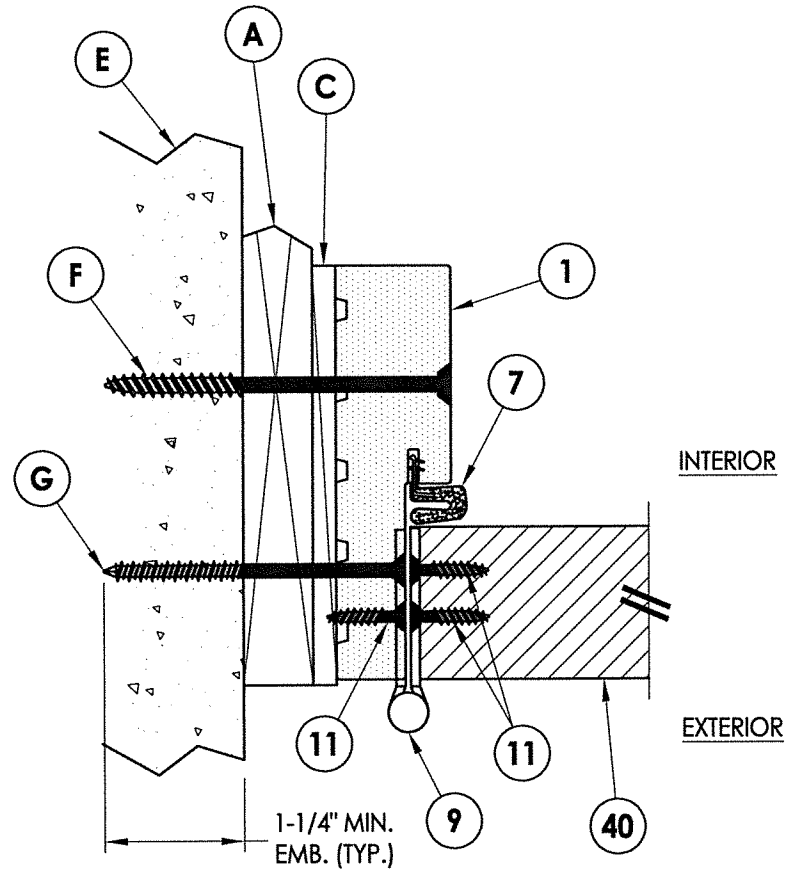
NOTES:

- Sidelite assembly screws located 4" from each end plus 4 more equally spaced along jamb (6 total).
- Moulding secured w/ 16 GA. X 1" brad nails located 1" from ends & 6" o.c. max.
- Anchor @ head is not required for single door (X) only.

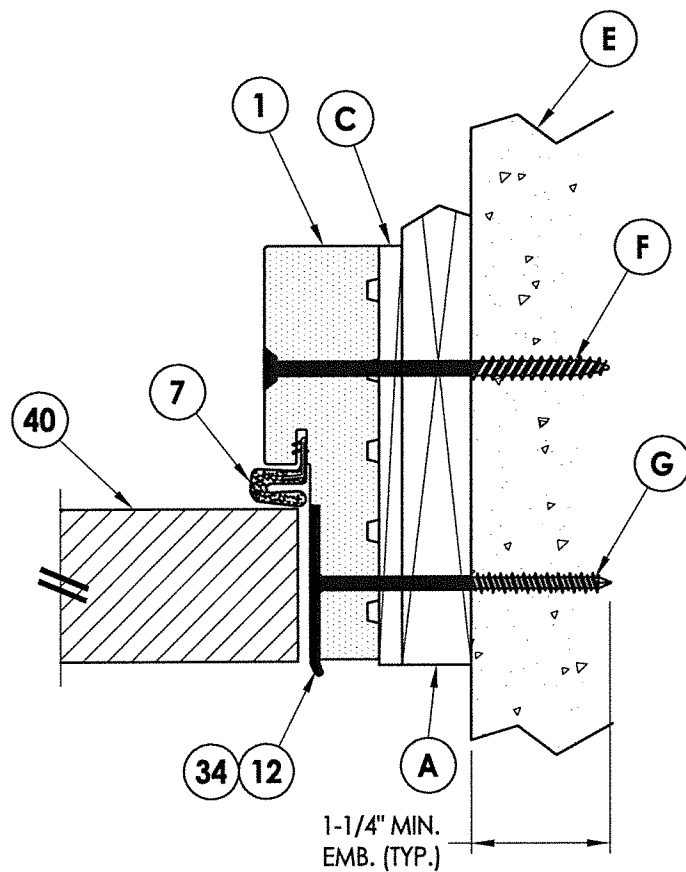


June 7, 2022
 Documents Prepared By:
 Lyndon F. Schmidt
 P.E. No. 43409
R.W. BUILDING CONSULTANTS, INC.
 P.O. Box 230, Valrico, FL 33595
 Phone No.: 813.659.9197
 FBPE Registry No. 9813

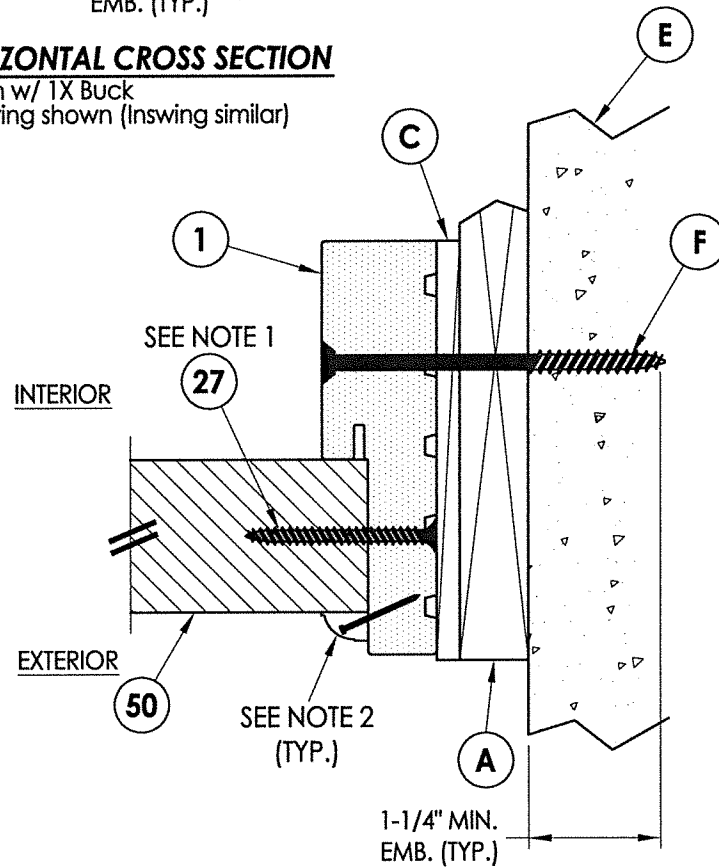
PRODUCT:		STEVE'S & SONS FIBERGLASS DOOR	
PART OR ASSEMBLY:		HORIZONTAL & VERTICAL CROSS SECTIONS (2X BUCK)	
NO.	DATE	BY	REVISIONS
DATE: 4/20/22		SCALE: N.T.S.	
DWG. BY: RW		CHK. BY: LFS	
DRAWING NO.: FL-41479.6		SHEET 7 OF 13	



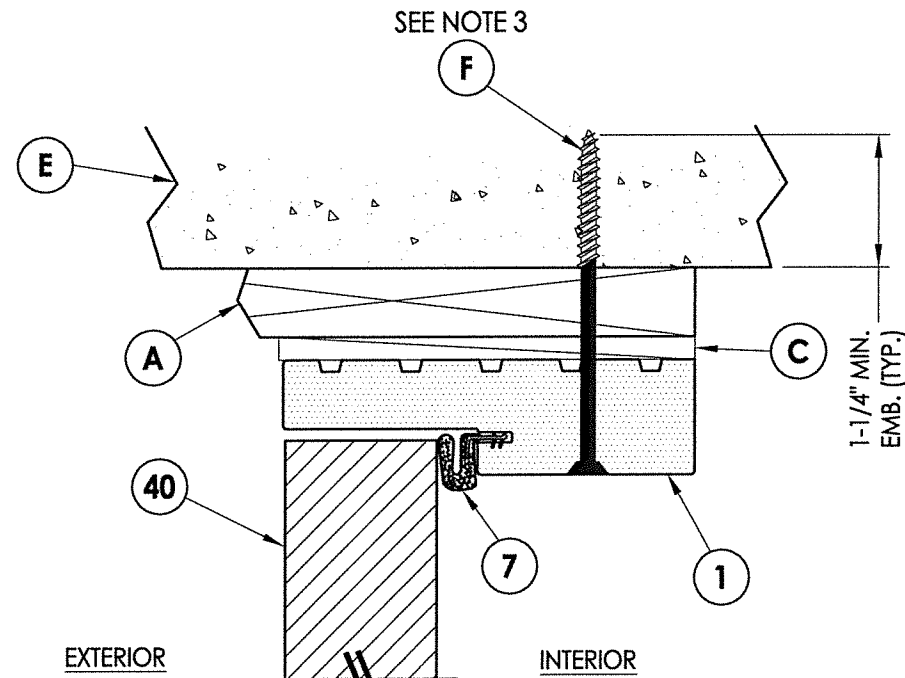
1 HORIZONTAL CROSS SECTION
8 Shown w/ 1X Buck
 Outswing shown (Inswing similar)



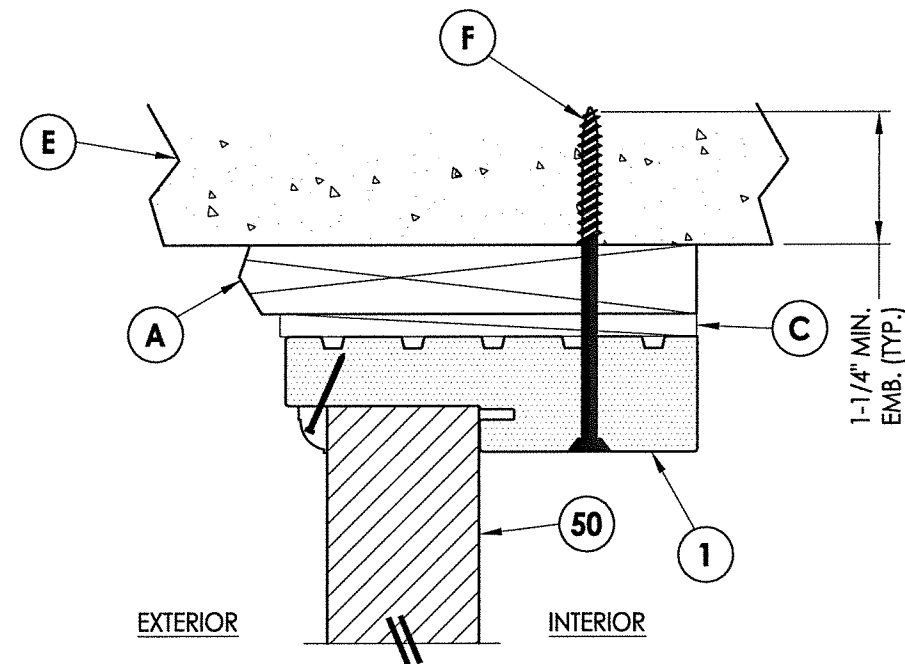
2 HORIZONTAL CROSS SECTION
8 Shown w/ 1X Buck
 Outswing shown (Inswing similar)



3 HORIZONTAL CROSS SECTION
8 Shown w/ 1X Buck
 Outswing shown (Inswing similar)



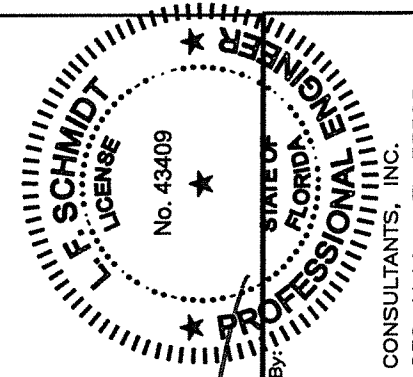
4 VERTICAL CROSS SECTION
8 Shown w/ 1X Buck
 Outswing shown (Inswing similar)



5 VERTICAL CROSS SECTION
8 Shown w/ 1X Buck
 Outswing shown (Inswing similar)

NOTES:

- Sidelite assembly screws located 4" from each end plus 4 more equally spaced along jamb (6 total).
- Moulding secured w/ 16 GA. X 1" brad nails located 1" from ends & 6" o.c. max.
- Anchor @ head is not required for single door (X) only.



LFS

June 7, 2022

Documents Prepared By:
 Lyndon F. Schmidt
 P.E. No. 43409

R.W.
 BUILDING CONSULTANTS, INC.
 P.O. Box 230, Valrico, FL 33595
 Phone No.: 813.659.9197
 FBPE Registry No. 9813

PRODUCT: STEVES & SONS
 FIBERGLASS DOOR
 PART OR ASSEMBLY:
 HORIZONTAL & VERTICAL
 CROSS SECTIONS (1X BUCK)

NO.	DATE	BY	REVISIONS

DATE: 4/20/22

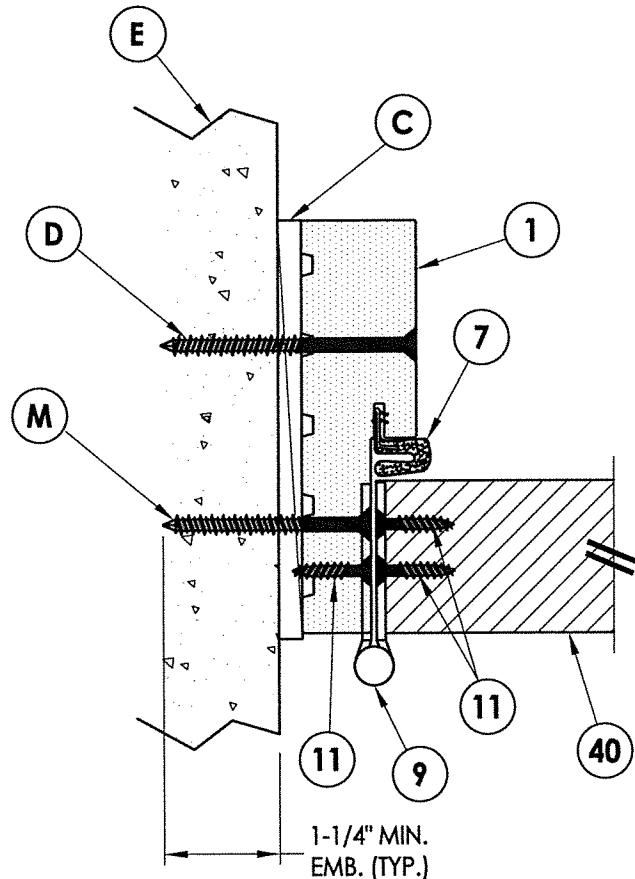
SCALE: N.T.S.

DWG. BY: RW

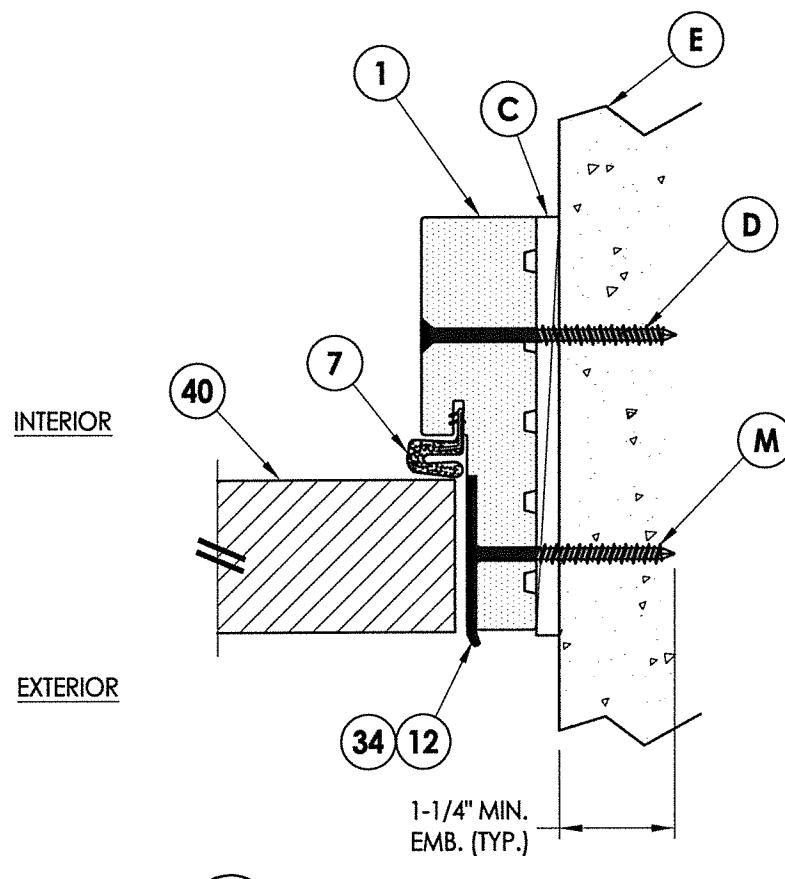
CHK. BY: LFS

DRAWING NO.: FL-41479.6

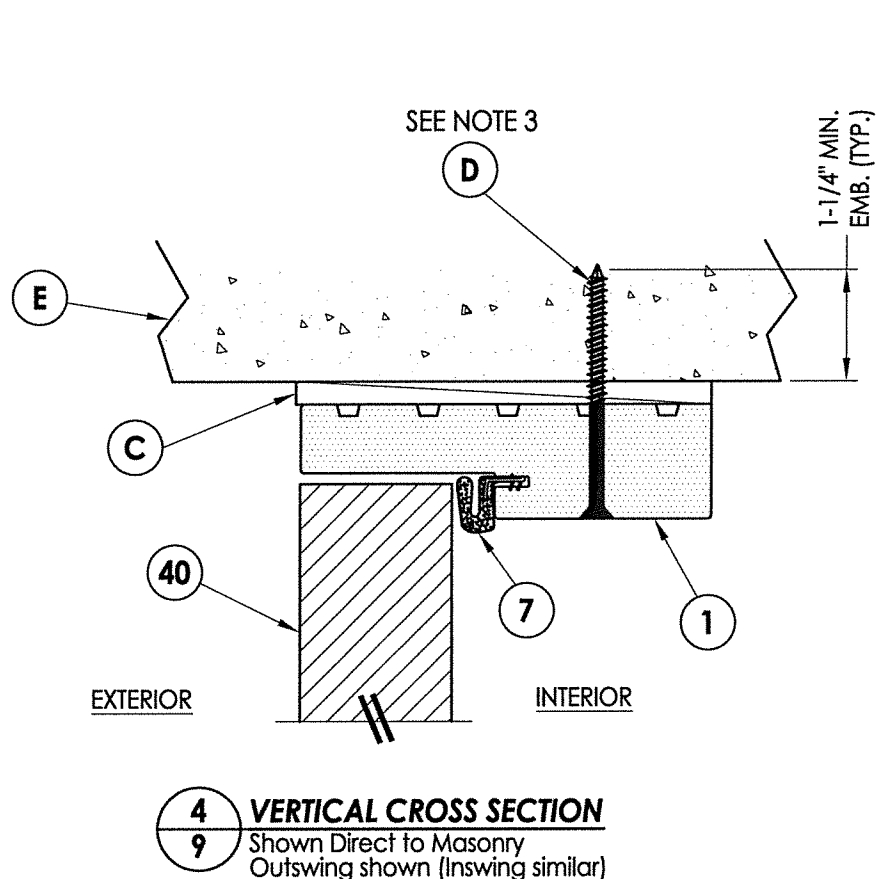
SHEET 8 OF 13



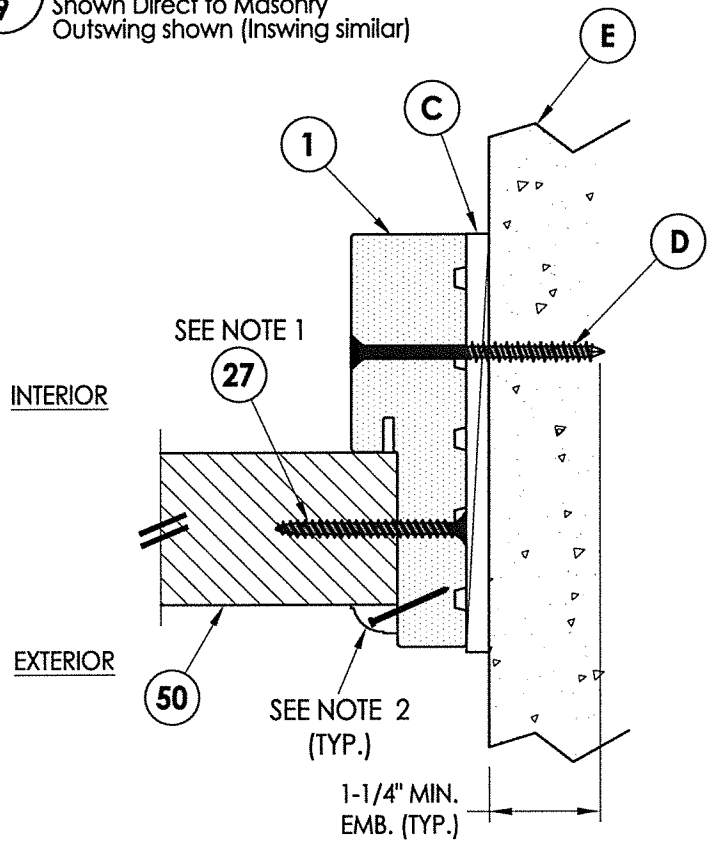
1 **HORIZONTAL CROSS SECTION**
9 Shown Direct to Masonry
 Outswing shown (Inswing similar)



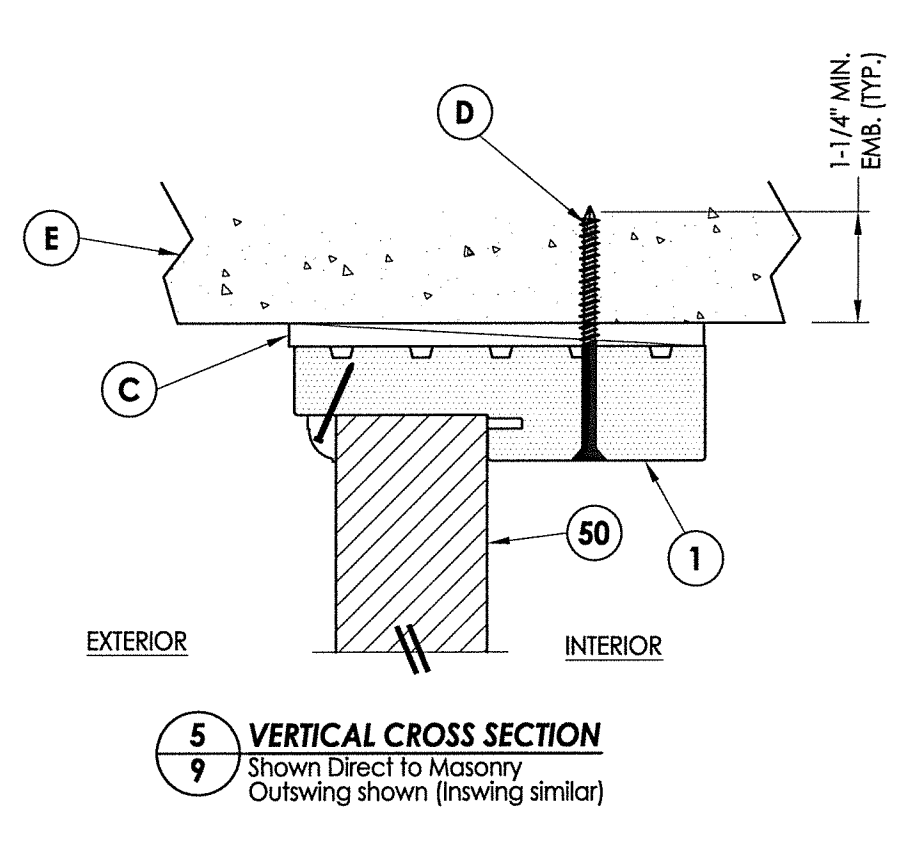
2 **HORIZONTAL CROSS SECTION**
9 Shown Direct to Masonry
 Outswing shown (Inswing similar)



4 **VERTICAL CROSS SECTION**
9 Shown Direct to Masonry
 Outswing shown (Inswing similar)

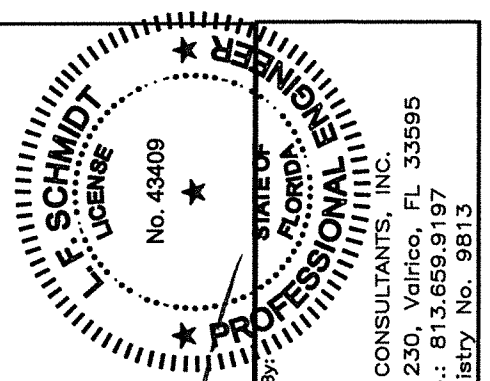


3 **HORIZONTAL CROSS SECTION**
9 Shown Direct to Masonry
 Outswing shown (Inswing similar)



5 **VERTICAL CROSS SECTION**
9 Shown Direct to Masonry
 Outswing shown (Inswing similar)

- NOTES:**
- Sidelite assembly screws located 4" from each end plus 4 more equally spaced along jamb (6 total).
 - Moulding secured w/ 16 GA. X 1" brad nails located 1" from ends & 6" o.c. max.
 - Anchor @ head is not required for single door (X) only.



June 7, 2022
 Documents Prepared By:
 Lyndon F. Schmidt
 P.E. No. 43409

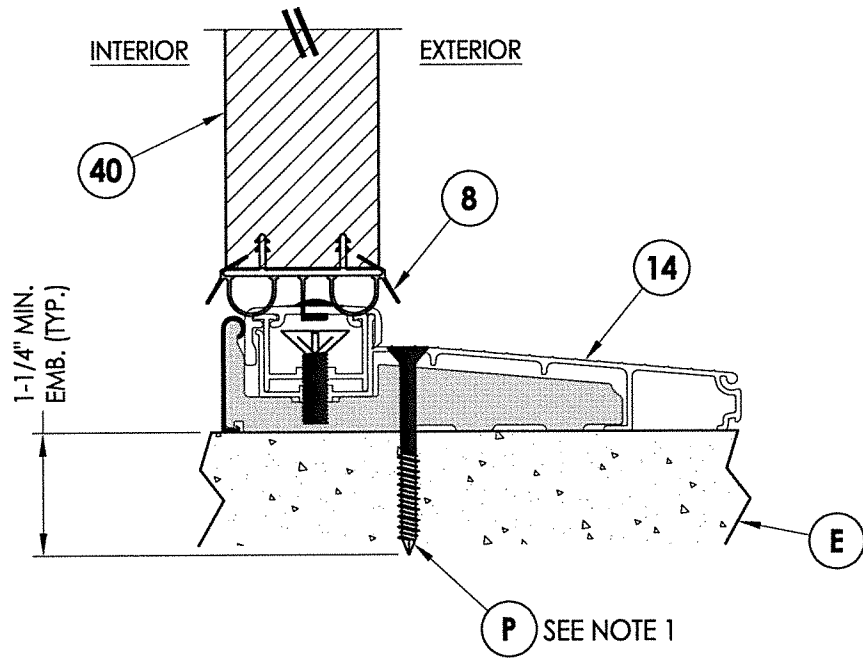
R.W. BUILDING CONSULTANTS, INC.
 P.O. Box 230, Valrico, FL 33595
 Phone No.: 813.659.9197
 FBPE Registry No. 9813

PRODUCT: STEVES & SONS FIBERGLASS DOOR
PART OR ASSEMBLY: HORIZONTAL & VERTICAL CROSS SECTIONS (DIRECT TO MASONRY)

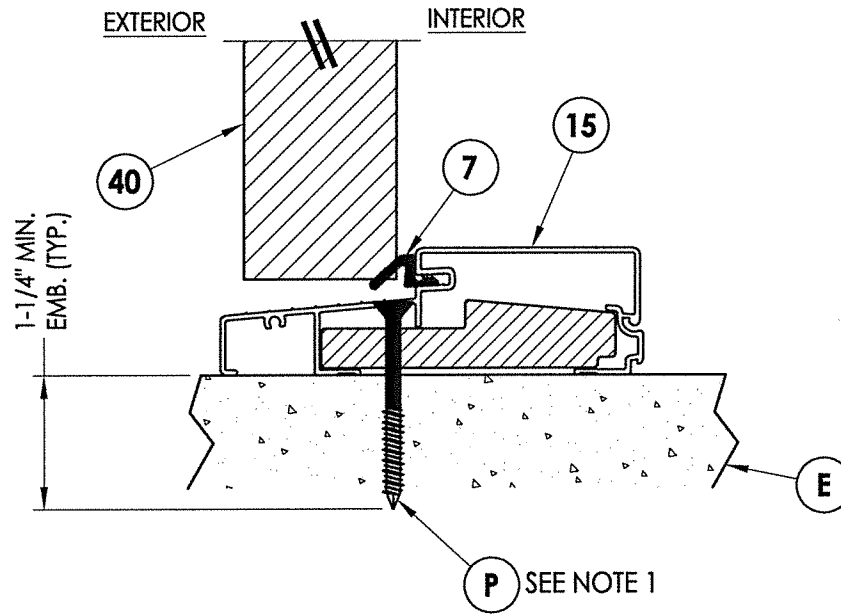
NO.	DATE	BY

DATE: 4/20/22
 SCALE: N.T.S.
 DWG. BY: RW
 CHK. BY: LFS
 DRAWING NO.: FL-41479.6
 SHEET 9 of 13

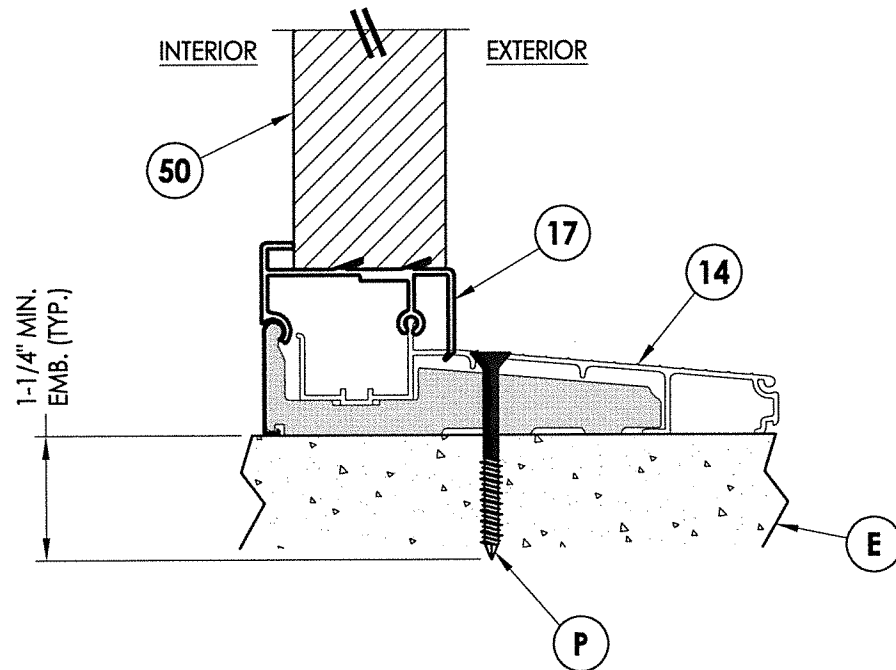
Note:
 1. Anchor @ sill is not required for single door (X) only.



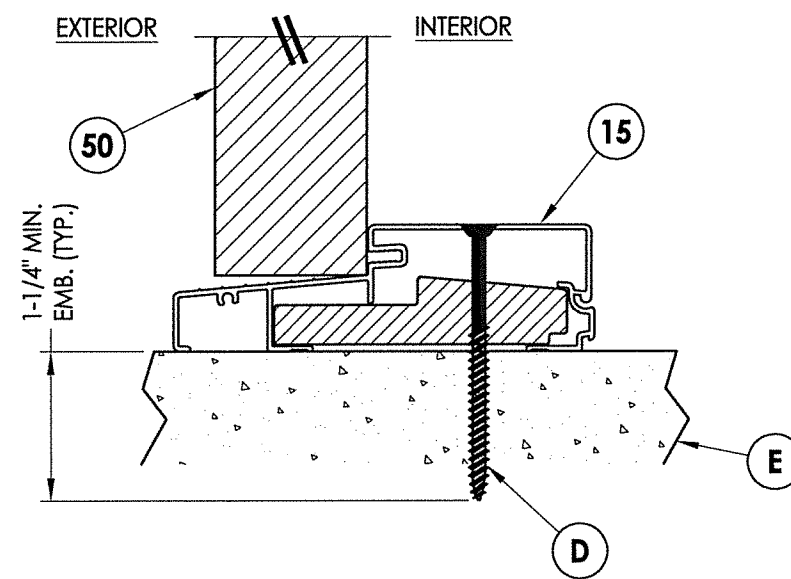
1 VERTICAL CROSS SECTION
10 Inswing Threshold



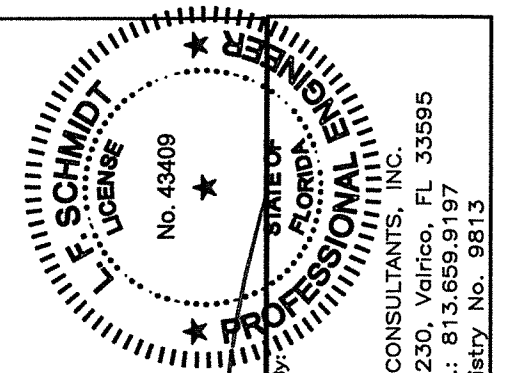
2 VERTICAL CROSS SECTION
10 Outswing Threshold



3 VERTICAL CROSS SECTION
10 Inswing Threshold

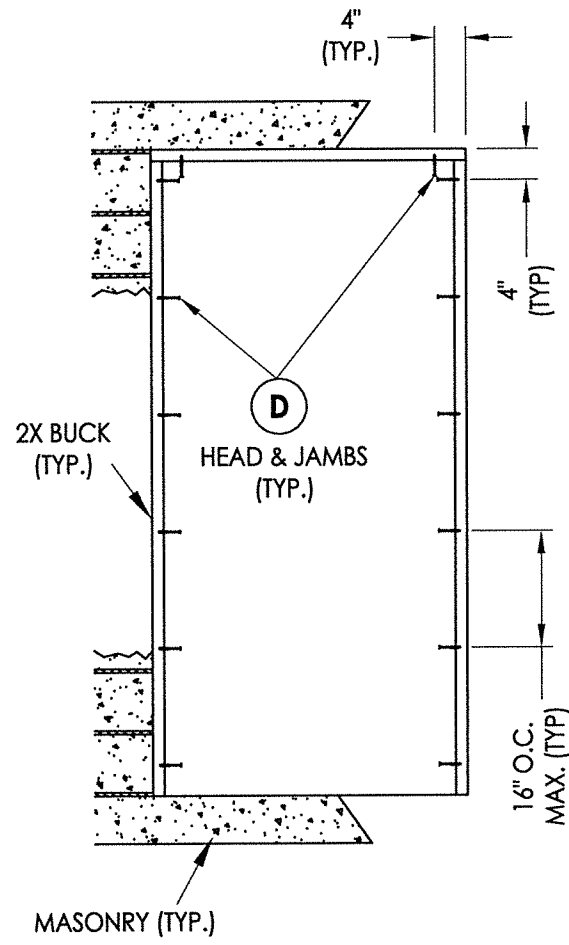


4 VERTICAL CROSS SECTION
10 Outswing Threshold

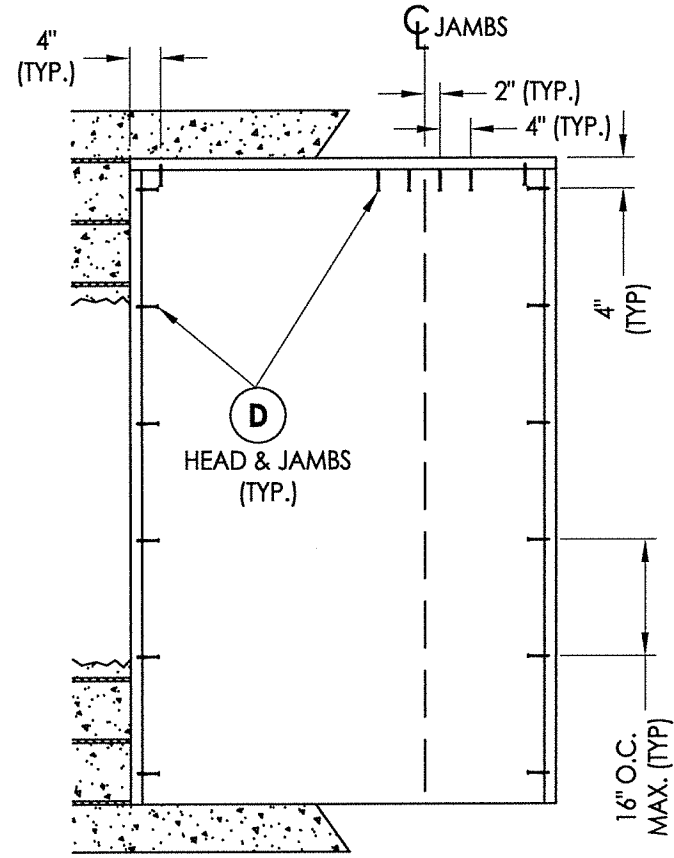


June 7, 2022
 Documents Prepared By:
 Lyndon F. Schmidt
 P.E. No. 43409
 RW BUILDING CONSULTANTS, INC.
 P.O. Box 230, Vairico, FL 33595
 Phone No.: 813.659.9197
 FBPE Registry No. 9813

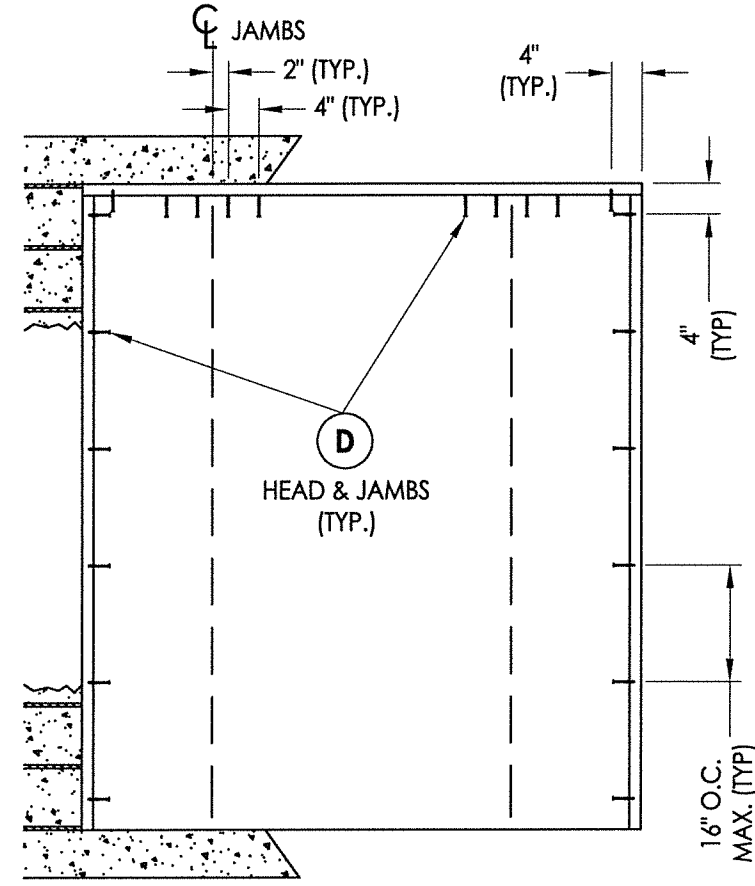
PRODUCT:		STEVE'S & SONS FIBERGLASS DOOR	
PART OR ASSEMBLY:		VERTICAL CROSS SECTIONS	
NO.	DATE	BY	REVISIONS
DATE:		4/20/22	
SCALE:		N.T.S.	
DWG. BY:		RW	
CHK. BY:		LFS	
DRAWING NO.:		FL-41479.6	
SHEET		10 OF 13	



X

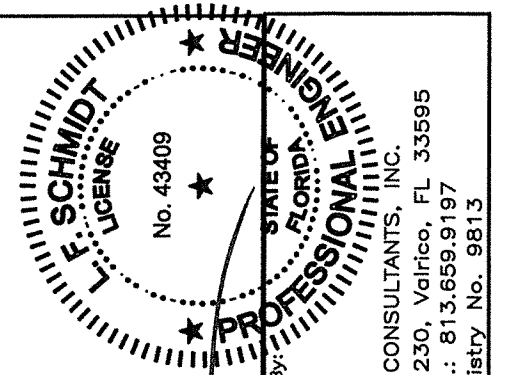


XO, OX



OXO

2X BUCK ANCHORING



[Handwritten Signature]

June 7, 2022

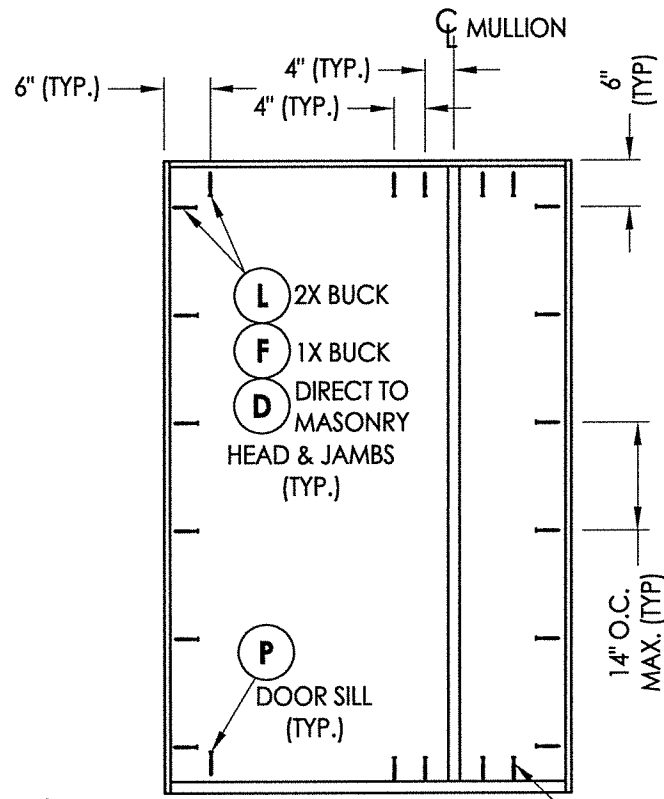
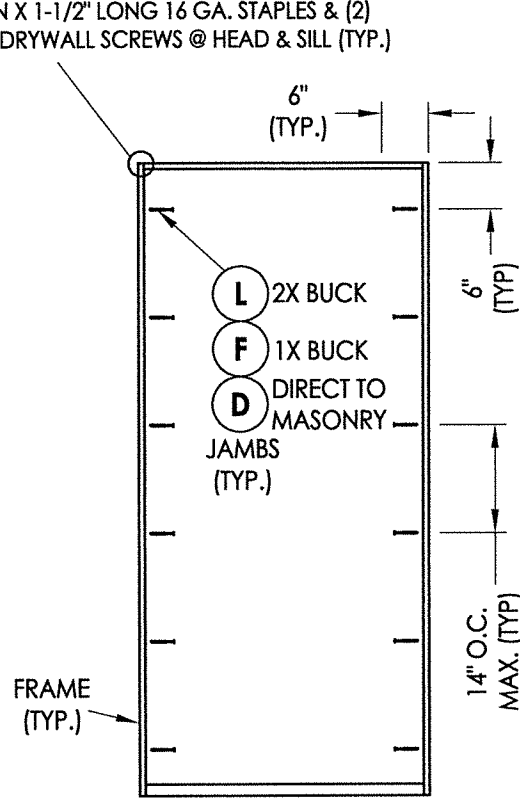
Documents Prepared By:
Lyndon F. Schmidt
P.E. No. 43409

RW BUILDING CONSULTANTS, INC.
P.O. Box 230, Vairico, FL 33595
Phone No.: 813.659.9197
FBPE Registry No. 9813

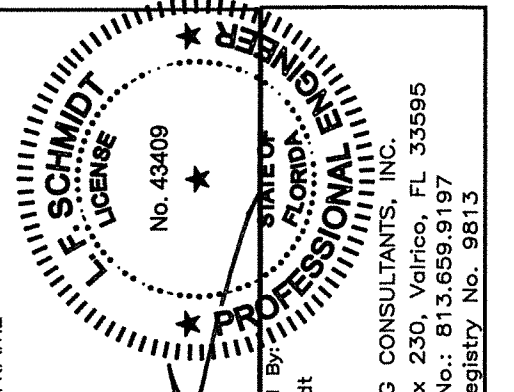
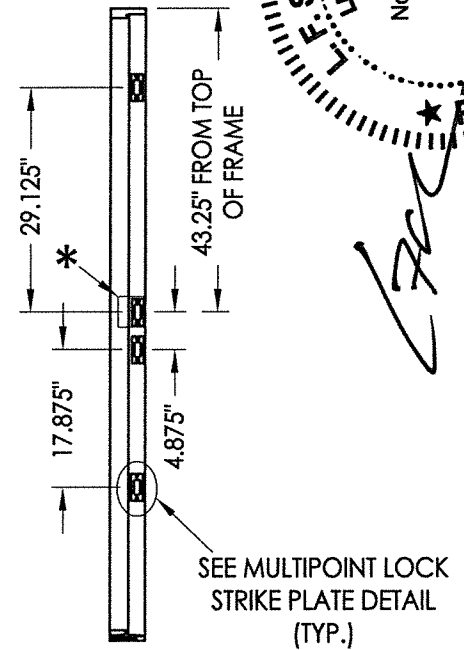
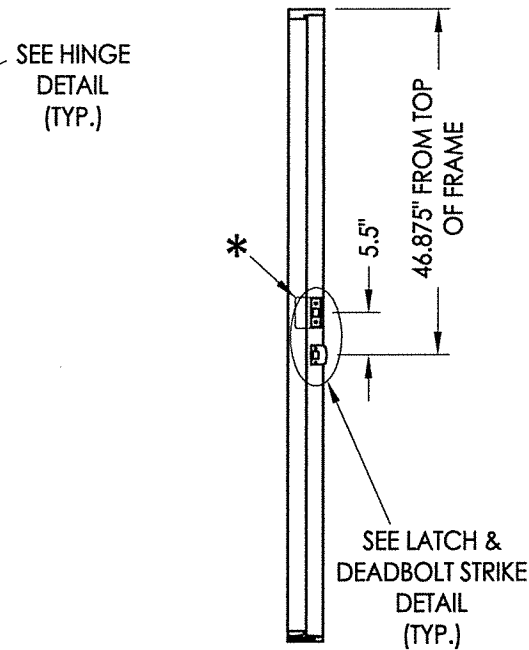
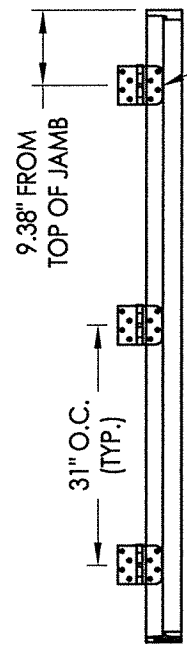
PRODUCT:		STEVES & SONS FIBERGLASS DOOR
PART OR ASSEMBLY:		BUCK ANCHORING
NO.	DATE	BY
REVISIONS		
DATE: 4/20/22		
SCALE: N.T.S.		
DWG. BY: RW		
CHK. BY: LFS		
DRAWING NO.: FL-41479.6		
SHEET 11 OF 13		

Z:\Clients\Steves and Sons - Permanent\A - Florida Product Approvals\FL-41479 LEGACY SERIES\C - Drawings\FL-41479 (2020)\FL-41479.6.dwg

FRAME CORNERS ATTACHED w/ (3) 7/16" CROWN X 1-1/2" LONG 16 GA. STAPLES & (2) #7 X 2" DRYWALL SCREWS @ HEAD & SILL (TYP.)



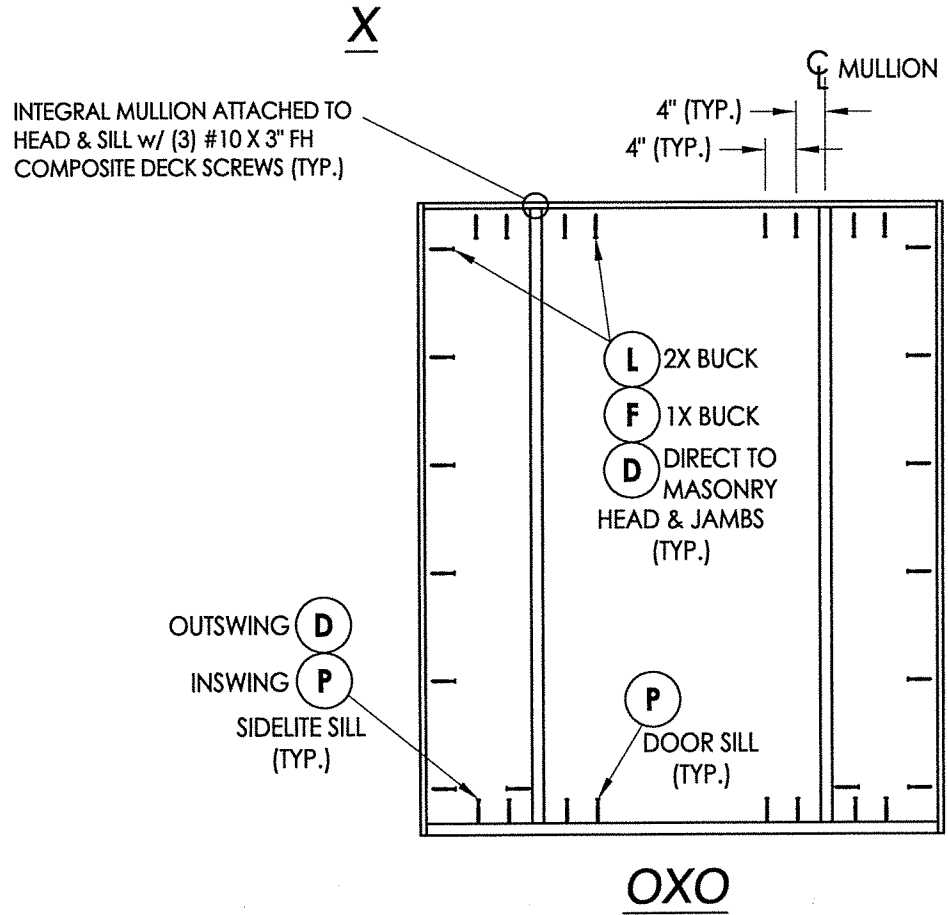
* 3.5" X 4" 20 GA. STEEL PLATE ATTACHED TO BACK OF LOCK JAMB w/ (4) 1" CROWN X 5/8" LONG 16 GA. STAPLES



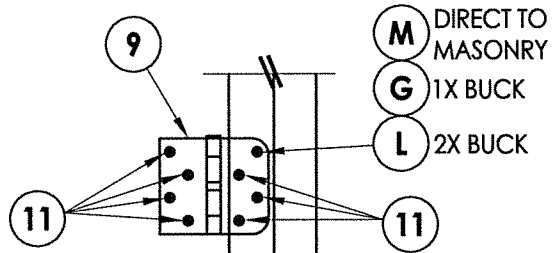
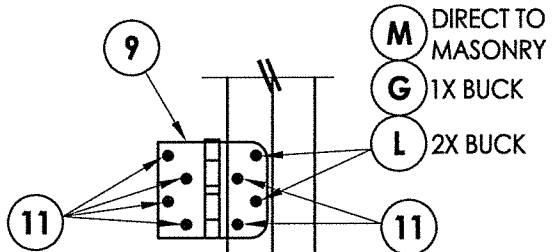
June 7, 2022

Documents Prepared By:
Lyndon F. Schmidt
P.E. No. 43409

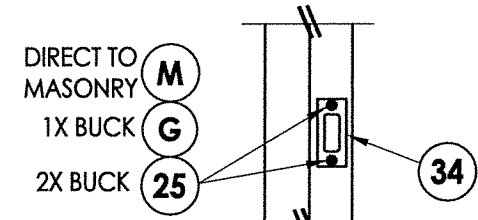
RW
BUILDING CONSULTANTS, INC.
P.O. Box 230, Valrico, FL 33595
Phone No.: 813.659.9197
FBPE Registry No. 9813



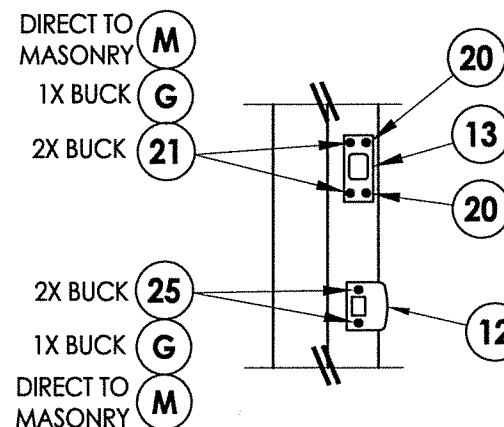
XO, OX
D OUTSWING
P INSWING
SIDELITE SILL (TYP.)



HINGE JAMB/MULLION
STRIKE JAMB/MULLION
LATCH & DEADBOLT

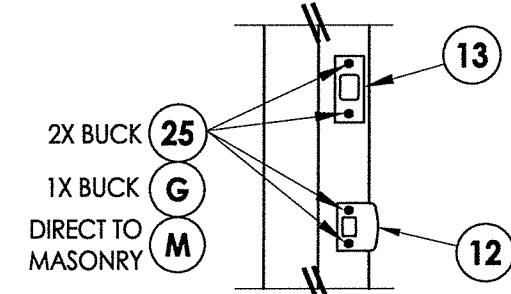


ROCKWELL MULTIPOINT LOCK HARDWARE

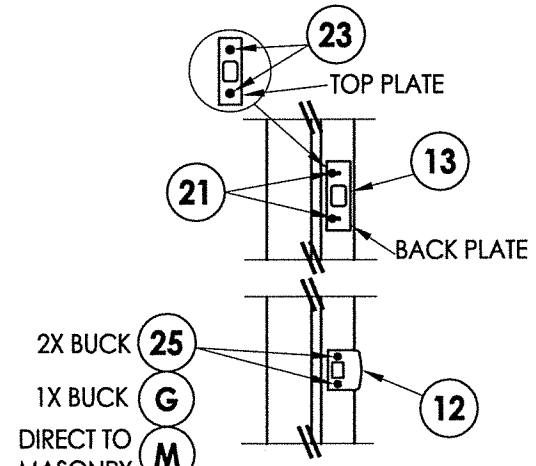


KWIKSET HARDWARE

STRIKE JAMB/MULLION
MULTIPOINT LOCK



ROCKWELL HARDWARE



SCHLAGE HARDWARE

FRAME ANCHORING

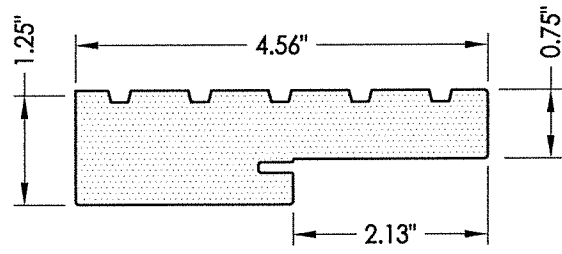
HINGE DETAIL
INSWING
OUTSWING

HARDWARE DETAILS

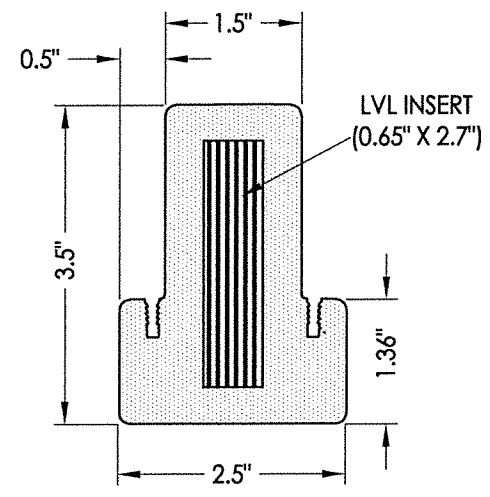
PRODUCT:	STEVES & SONS FIBERGLASS DOOR	
PART OR ASSEMBLY:	FRAME ANCHORING & HARDWARE DETAILS	
NO.	DATE	BY
REVISIONS		
DATE:	4/20/22	
SCALE:	N.T.S.	
DWG. BY:	RW	
CHK. BY:	LFS	
DRAWING NO.:	FL-41479.6	
SHEET	12	of 13

Z:\Clients\Stevens and Sons - Permanent\A - Florida Product Approvals\FL-41479 LEGACY SERIES\C - Drawings\FL-41479 (2020)\FL-41479.6.dwg

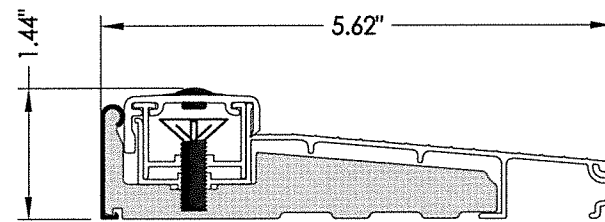
BILL OF MATERIALS		
ITEM #	DESCRIPTION	MATERIAL
A	1X BUCK (G >= 0.42)	WOOD
B	2X BUCK (G >= 0.42)	WOOD
C	1/4" MAX. SHIM SPACE	-
D	1/4" X 2-3/4" PFH DeWALT OR ITW CONCRETE SCREW	STEEL
E	MASONRY - 3,000 PSI MIN. CONCRETE CONFORMING TO ACI 301 OR HOLLOW BLOCK CONFORMING TO ASTM C90	CONCRETE
F	1/4" X 3-3/4" PFH DeWALT OR ITW CONCRETE SCREW	STEEL
G	3/16" X 3-1/4" PFH ITW CONCRETE SCREW	STEEL
L	#10 X 2-1/2" PFH WOOD SCREW (1.15" MIN. EMB.)	STEEL
M	3/16" X 2-1/4" PFH ITW CONCRETE SCREW	STEEL
P	1/4" X 2-1/4" PFH DeWALT OR ITW CONCRETE SCREW	STEEL
1	COMPOSITE JAMB	COMP
3	COMPOSITE MULLION	COMP/LVL
7	WEATHERSTRIP	FOAM
8	SWEEP	VINYL
9	4" X 4" HINGE	STEEL
11	#9 X 3/4" PFH WOOD SCREW	STEEL
12	LATCH STRIKE PLATE	STEEL
13	DEADBOLT STRIKE PLATE	STEEL
14	INSWING THRESHOLD	ALUM/COMP
15	OUTSWING THRESHOLD	ALUM/COMP
17	INSWING SIDELITE ADAPTER	PVC
18	#8 X 3" SD TRIM SCREW	STEEL
20	#9 X 1/2" PFH WOOD SCREW	STEEL
21	#12 X 2-1/2" PFH WOOD SCREW	STEEL
23	#8 X 3/4" PFH WOOD SCREW	STEEL
25	#8 X 2-1/2" PFH WOOD SCREW	STEEL
27	#7 X 1-5/8" DRYWALL SCREW	STEEL
34	MULTIPOINT LOCK STRIKE PLATE	STEEL
40	DOOR PANEL	-
50	SIDELITE PANEL	-



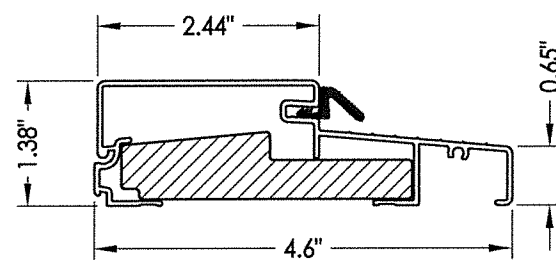
1 COMPOSITE JAMB
WORLDWIDE "4EVER"



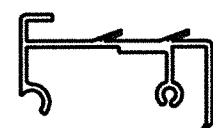
3 COMPOSITE MULLION



14 INSWING THRESHOLD
Columbia



15 OUTSWING THRESHOLD
Columbia



17 INSWING SIDELITE SPACER
Columbia

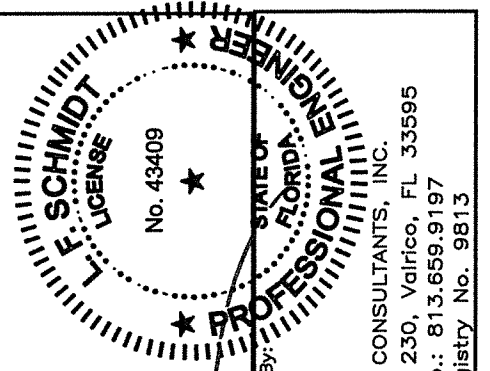
CONCRETE ANCHOR NOTES:

- Concrete anchor locations at the corners may be adjusted to maintain the min. edge distance to mortar joints.
- Concrete anchor locations noted as "MAX. ON CENTER" must be adjusted to maintain the min. edge distance to mortar joints, additional concrete anchors may be required to ensure the "MAX. ON CENTER" dimension are not exceeded.
- Concrete anchor table:

ANCHOR TYPE	ANCHOR SIZE	MIN. EMBEDMENT	MIN. CLEARANCE TO MASONRY EDGE	MIN. CLEARANCE TO ADJACENT ANCHOR
ITW BUILDEX TAPCON®	3/16"	1-1/4"	3"	1-1/2"
	1/4"	1-1/4"	2"	4"
DeWALT ULTRACON®	1/4"	1-1/4"	1"	4"

WOOD SCREW INSTALLATION NOTES:

- Maintain a minimum 5/8" edge distance, 1" end distance, & 1" o.c. spacing of wood screws to prevent the splitting of wood.



June 7, 2022
 Documents Prepared By:
 Lyndon F. Schmidt
 P.E. No. 43409

R.W.
 BUILDING CONSULTANTS, INC.
 P.O. Box 230, Valrico, FL 33595
 Phone No.: 813.659.9197
 FBPE Registry No. 9813

PRODUCT: ALL SEASONS, INC. FIBERGLASS DOOR
 PART OR ASSEMBLY: BILL OF MATERIALS & COMPONENTS

NO.	DATE	BY	REVISIONS

DATE: 4/20/22
 SCALE: N.T.S.
 DWG. BY: RW
 CHK. BY: LFS
 DRAWING NO.: FL-41479.6
 SHEET 13 OF 13