

# STEVE'S AND SONS

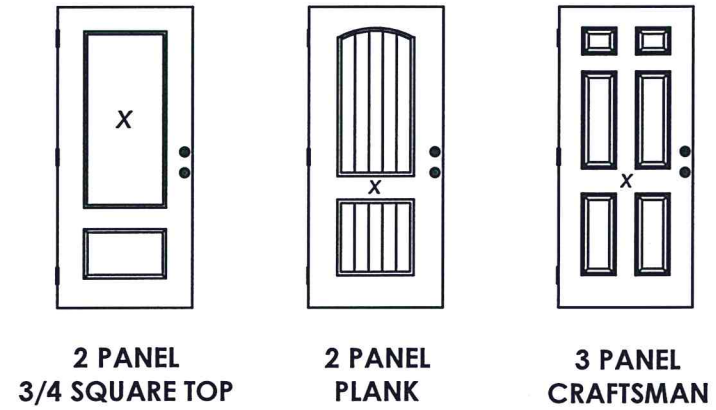
203 Humble Ave.  
San Antonio, TX 78225

## OPAQUE FIBERGLASS DOOR SINGLE w/ TRANSOM w/ or w/out SIDELITE(S) IN SWING/OUT SWING "NON-IMPACT"

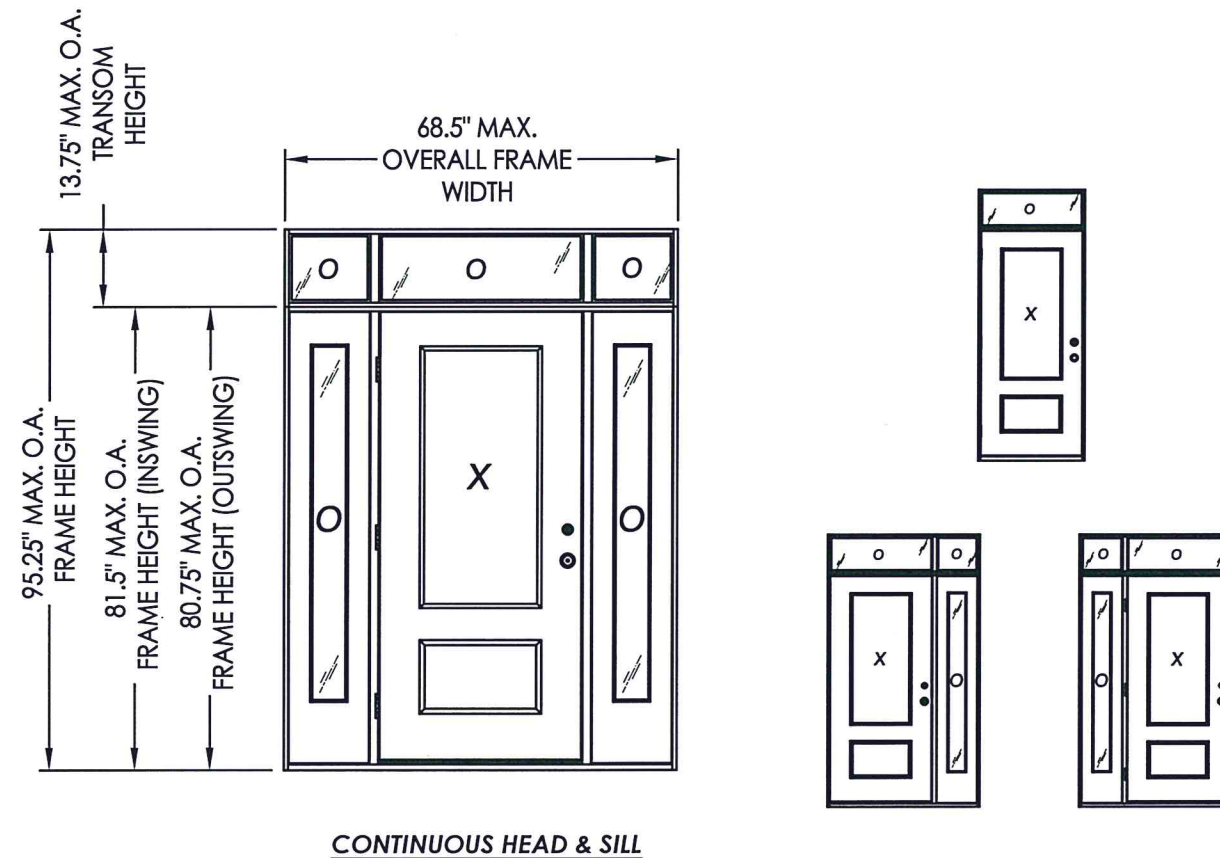
### GENERAL NOTES

1. This product has been evaluated and is in compliance with the 7th Edition (2020) Florida Building Code (FBC) structural requirements excluding the "High Velocity Hurricane Zone" (HVHZ).
2. Product anchors shall be as listed and spaced as shown on details. Anchor embedment to base material shall be beyond wall dressing or stucco.
3. When used in areas requiring wind borne debris protection this product is required to be protected with an impact resistant covering that complies with FBC Sections 1609.1.2 & R301.2.1.2 of the FBC.
4. For 2x stud framing construction, anchoring of these units shall be the same as that shown for 2x buck masonry construction.
5. Site conditions that deviate from the details of this drawing require further engineering analysis by a licensed engineer or registered architect.

TABLE OF CONTENTS			
SHEET #	DESCRIPTION	SHEET #	
1	Typical Elevations, Design Pressures & General Notes	8	Horizontal & Vertical Cross Sections (1X Buck)
2	Door Panel Details	9	Horizontal & Vertical Cross Sections (Direct to Masonry)
3	Sidelite & Transom Panel Details	10	Vertical Cross Sections
4	Panel Options	11	Buck Anchoring
5	Elevations	12	Frame Anchoring & Hardware Details
6	Horizontal Cross Sections	13	Bill of Materials & Components
7	Horizontal & Vertical Cross Sections (2X Buck)		

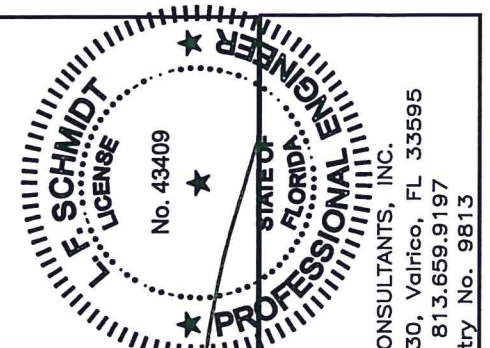


### LEGACY PANEL COLLECTION



CONTINUOUS HEAD & SILL

CONFIGURATION	MAX. FRAME DIMENSION	DESIGN PRESSURE (PSF) INSWING		DESIGN PRESSURE (PSF) OUTSWING	
		POSITIVE	NEGATIVE	POSITIVE	NEGATIVE
O X	37.5" x 95.25"	+40.0	-40.0	+40.0	-40.0
OOO OXO OX	68.5" x 95.25"	+40.0	-40.0	+40.0	-40.0



June 7, 2022

Documents Prepared By:  
Lyndon F. Schmidt  
P.E. No. 43409

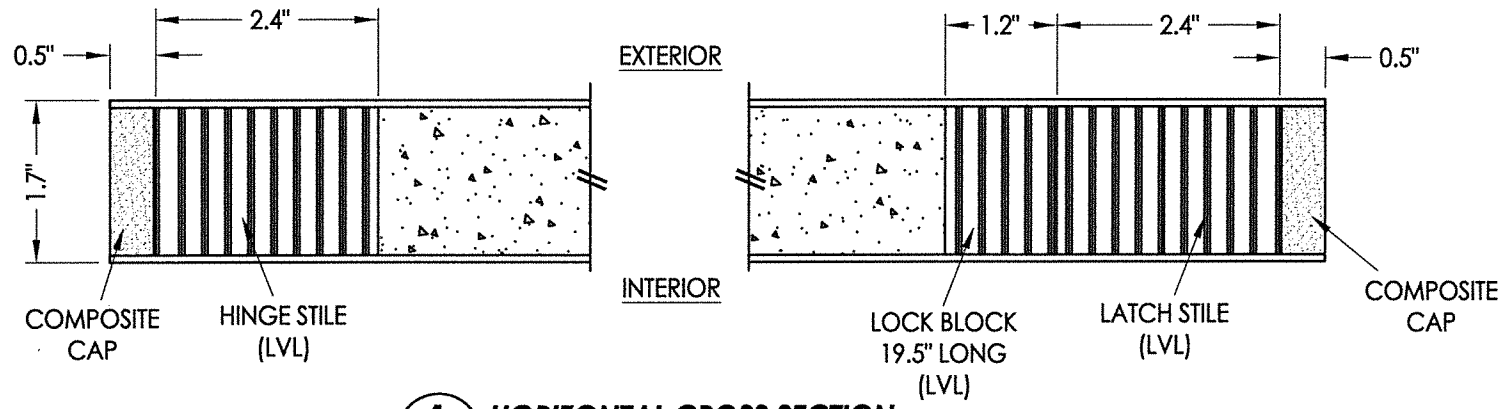
R.W. BUILDING CONSULTANTS, INC.  
P.O. Box 230, Valrico, FL 33595  
Phone No.: 813.659.9197  
FBPE Registry No. 9813

PRODUCT: STEVE'S & SONS FIBERGLASS DOOR  
PART OR ASSEMBLY: TYPICAL ELEVATION, DESIGN PRESSURES & GENERAL NOTES

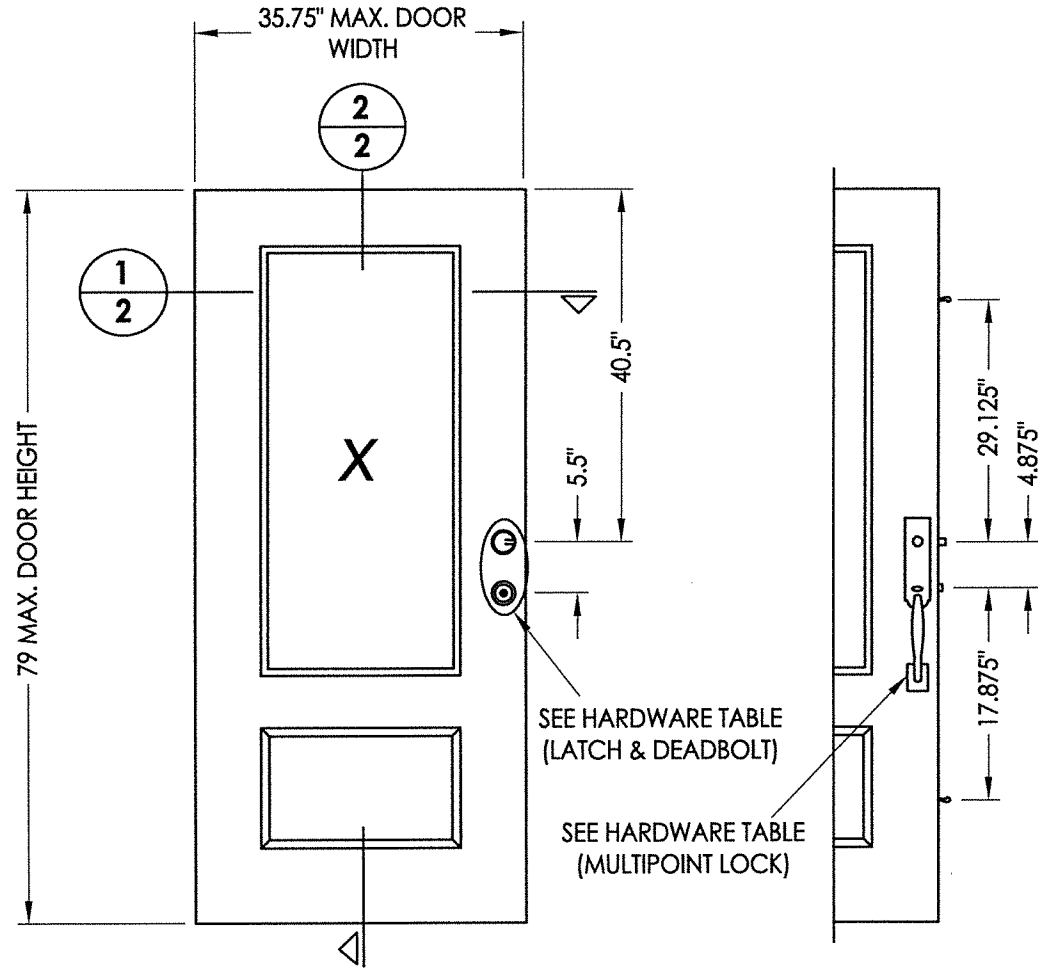
NO.	DATE	BY	REVISIONS

DATE: 4/20/22  
SCALE: N.T.S.  
DWG. BY: RW  
CHK. BY: LFS  
DRAWING NO.: FL-41479.8  
SHEET 1 OF 13

Z:\Clients\Steves and Sons - Permanent\A - Florida Product Approvals\FL-41479 LEGACY SERIES\C - Drawings\FL-41479 (2020)\FL-41479.8.dwg



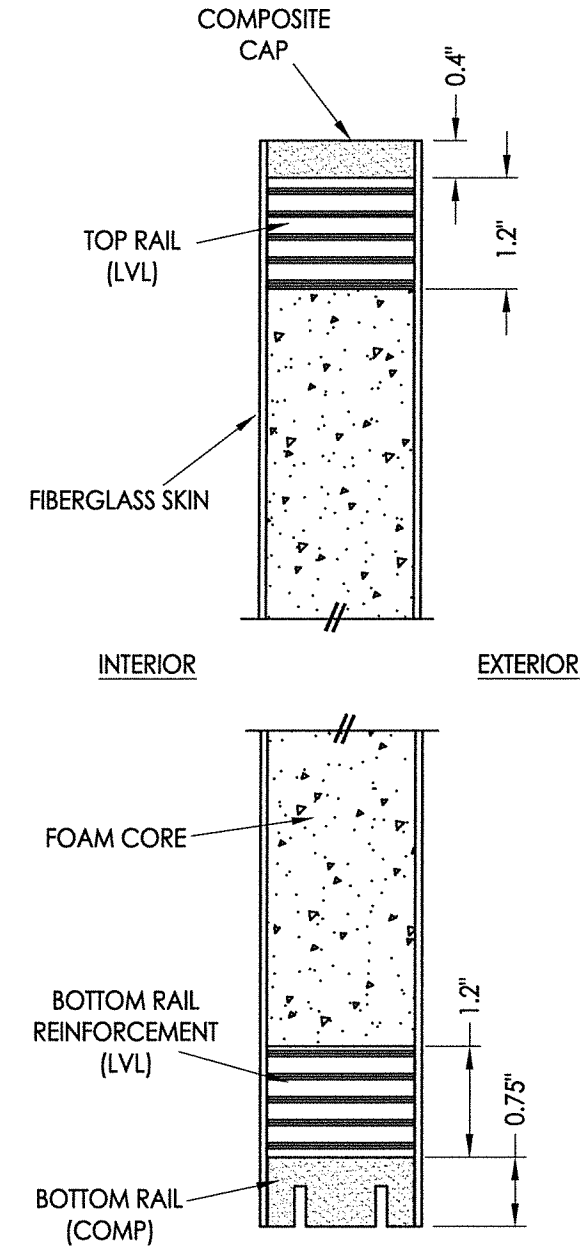
1  
2 **HORIZONTAL CROSS SECTION**



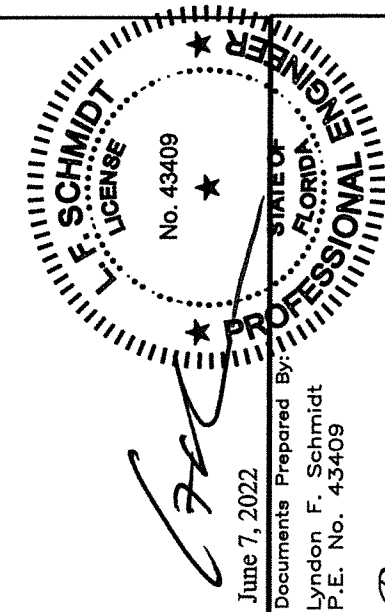
40 **FIBERGLASS DOOR PANEL**

FIBERGLASS SKIN: 0.08" MIN. THK.  
FOAM CORE: POLYURETHANE - 1.9 PCF MIN.)

HARDWARE TABLE		
MANUFACTURER	MODEL	
KWIKSET	LATCH:	SIGNATURE SERIES
	DEADBOLT:	SIGNATURE SERIES (980)
SCHLAGE	LATCH:	F51
	DEADBOLT:	B60N
ROCKWELL	LATCH:	PREMIUM HANDLESET
	DEADBOLT:	PREMIUM DEADBOLT
ROCKWELL	PREMIUM MULTIPOINT HANDLESET w/ DEADLOCKING TONGUE MULTIPOINT LOCK	



2  
2 **VERTICAL CROSS SECTION**



June 7, 2022

Documents Prepared By:  
Lyndon F. Schmidt  
P.E. No. 43409

*RW*  
BUILDING CONSULTANTS, INC.  
P.O. Box 230, Valrico, FL 33595  
Phone No.: 813.659.9197  
FBPE Registry No. 9813

PRODUCT: STEVES & SONS  
FIBERGLASS DOOR  
PART OR ASSEMBLY: DOOR  
PANEL DETAILS

NO.	DATE	BY
REVISIONS		

DATE: 4/20/22

SCALE: N.T.S.

DWG. BY: RW

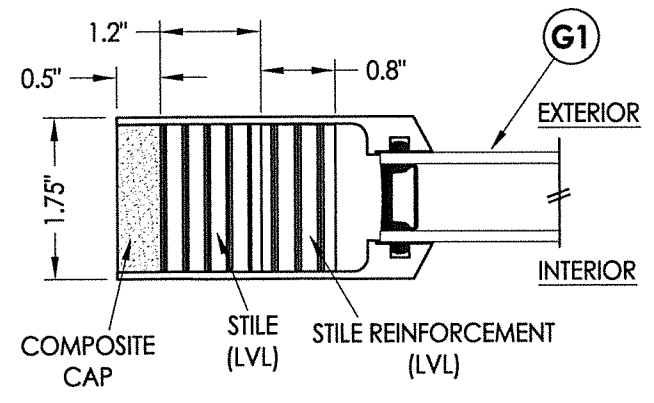
CHK. BY: LFS

DRAWING NO.:

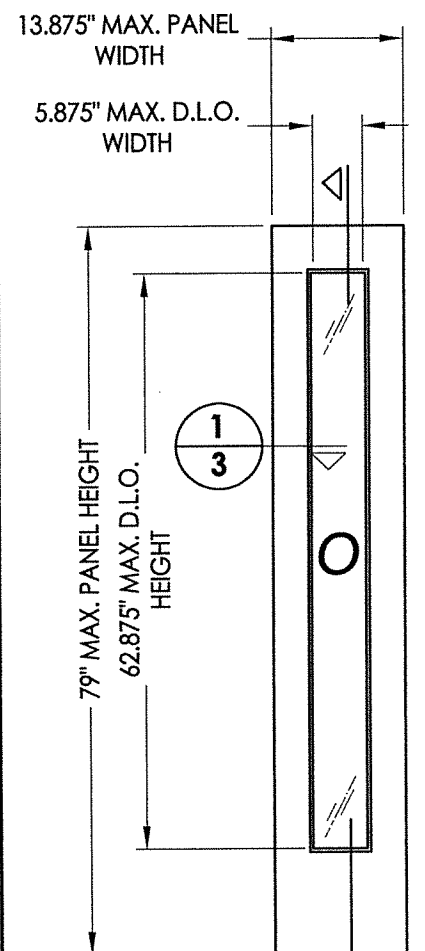
FL-41479.8

SHEET 2 OF 13

Z:\Clients\Stevens and Sons - Permanent\A - Florida Product Approvals\FL-41479 LEGACY SERIES\C - Drawings\FL-41479 (2020)\FL-41479.8.dwg

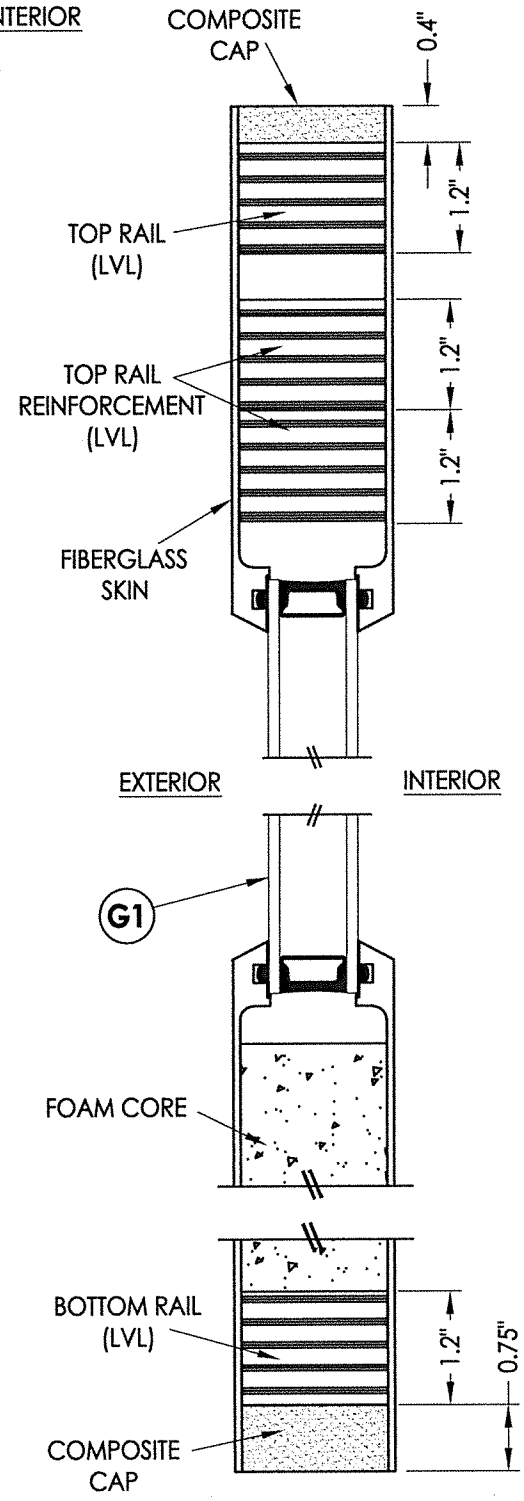


**1**  
**3** HORIZONTAL CROSS SECTION

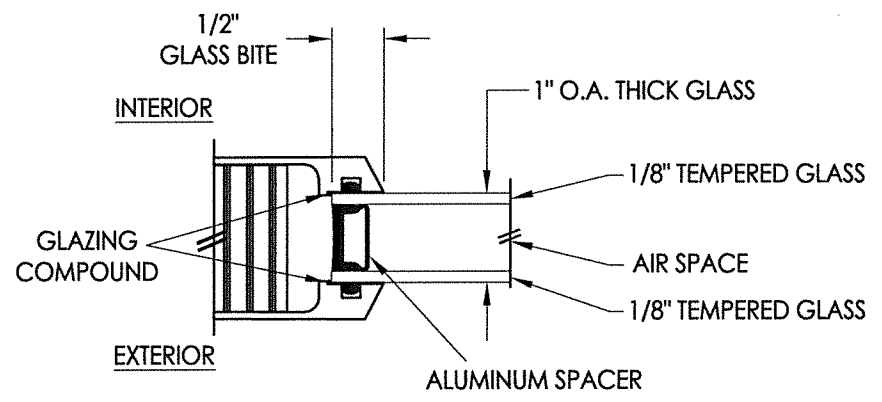


**50** FIBERGLASS SIDELITE PANEL

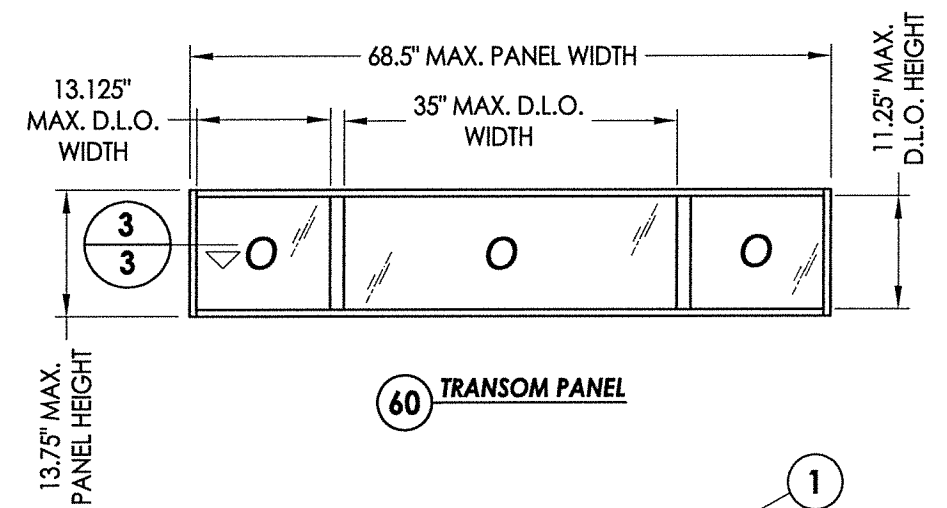
FIBERGLASS SKIN: 0.08\"/>



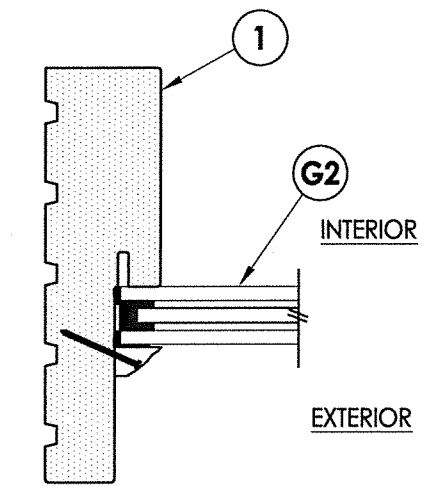
**2**  
**3** VERTICAL CROSS SECTION



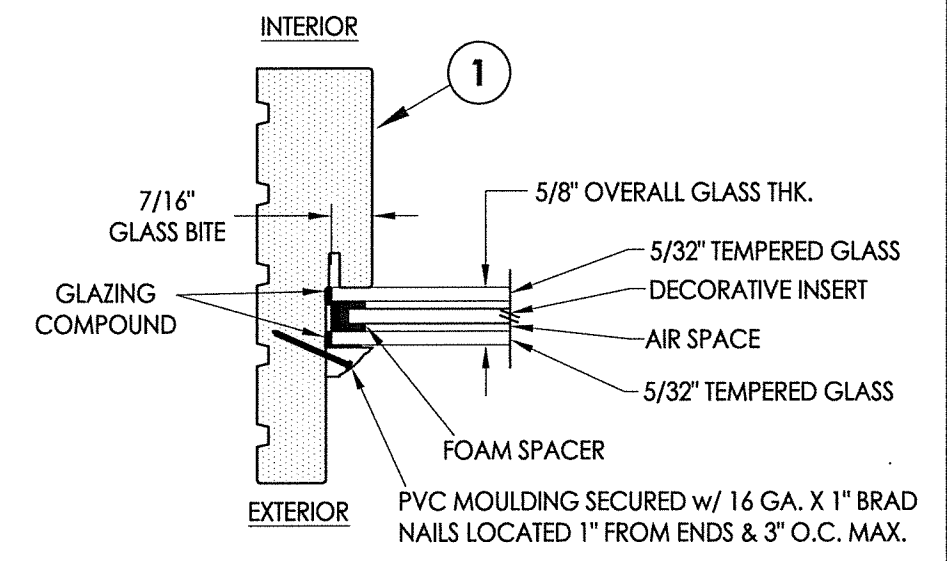
**G1** GLAZING DETAIL



**60** TRANSOM PANEL



**3**  
**3** HORIZONTAL CROSS SECTION



**G2** GLAZING DETAIL  
TRANSOM

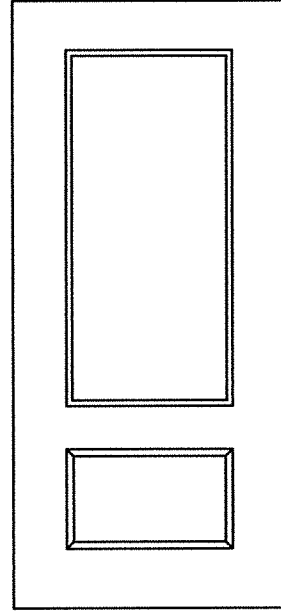
June 7, 2022  
 Documents Prepared By:  
 Lyndon F. Schmidt  
 P.E. No. 43409

**R.W.**  
 BUILDING CONSULTANTS, INC.  
 P.O. Box 230, Valrico, FL 33595  
 Phone No.: 813.659.9197  
 FBPE Registry No. 9813

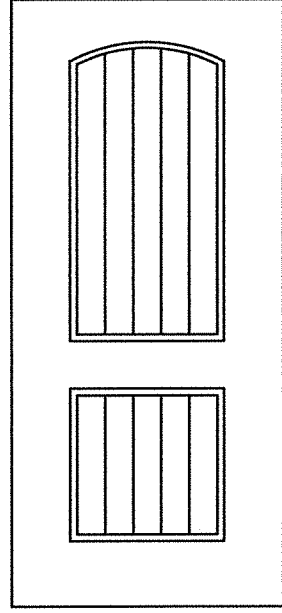
**FLORIDA PROFESSIONAL ENGINEER**  
 License No. 43409

PRODUCT:	STEVES & SONS FIBERGLASS DOOR	
PART OR ASSEMBLY:	SIDELITE & TRANSOM PANEL DETAILS	
NO.	DATE	BY
REVISIONS		
DATE:	4/20/22	
SCALE:	N.T.S.	
DWG. BY:	RW	
CHK. BY:	LFS	
DRAWING NO.:	FL-41479.8	
SHEET	3	OF 13

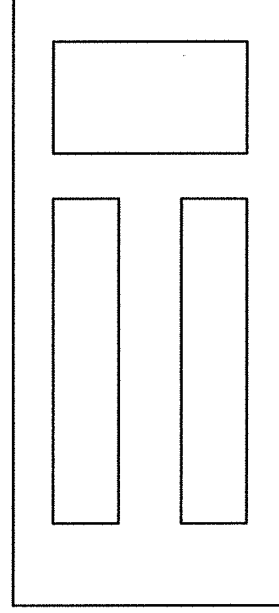
© 2022 R.W. BUILDING CONSULTANTS INC.



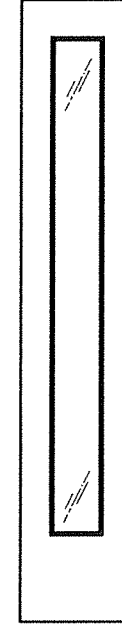
**2 PANEL  
3/4 SQUARE TOP**



**2 PANEL  
PLANK**



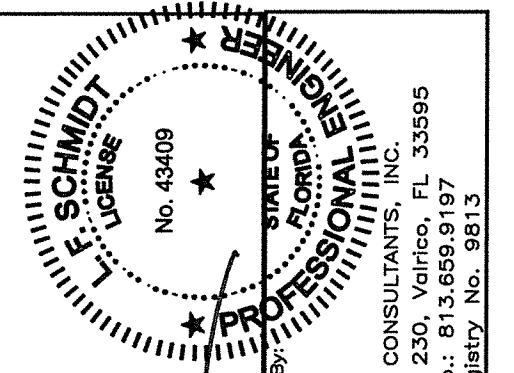
**3 PANEL  
CRAFTSMAN**



**FULL LITE**

**LEGACY PANEL COLLECTION**

**LEGACY SIDELITE**



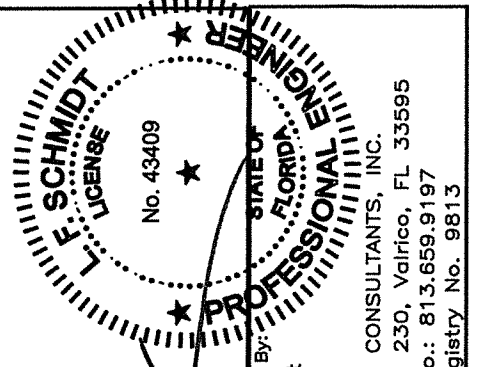
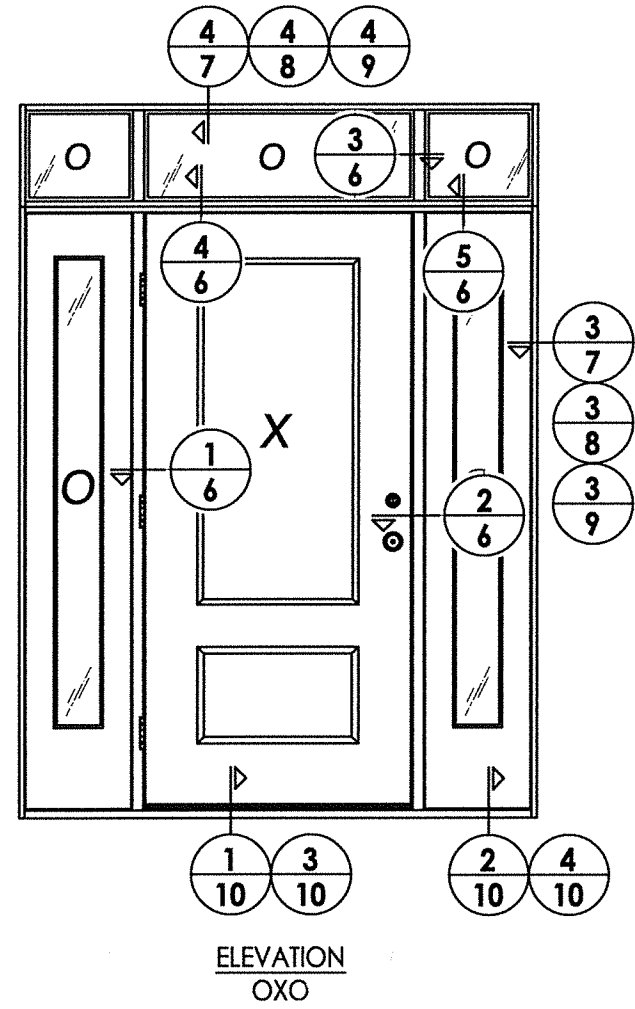
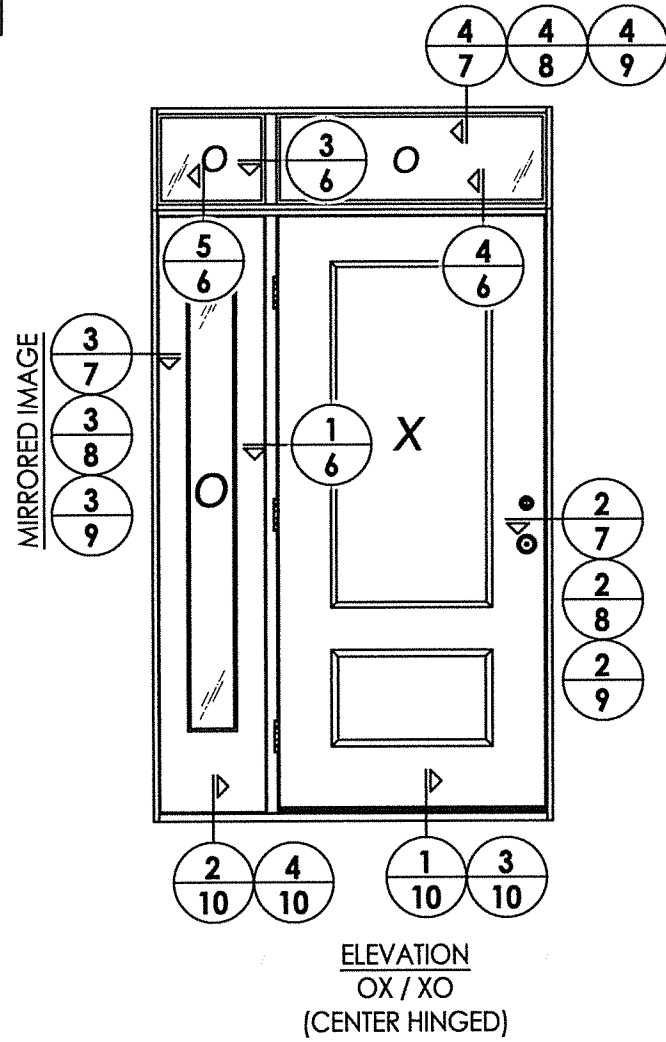
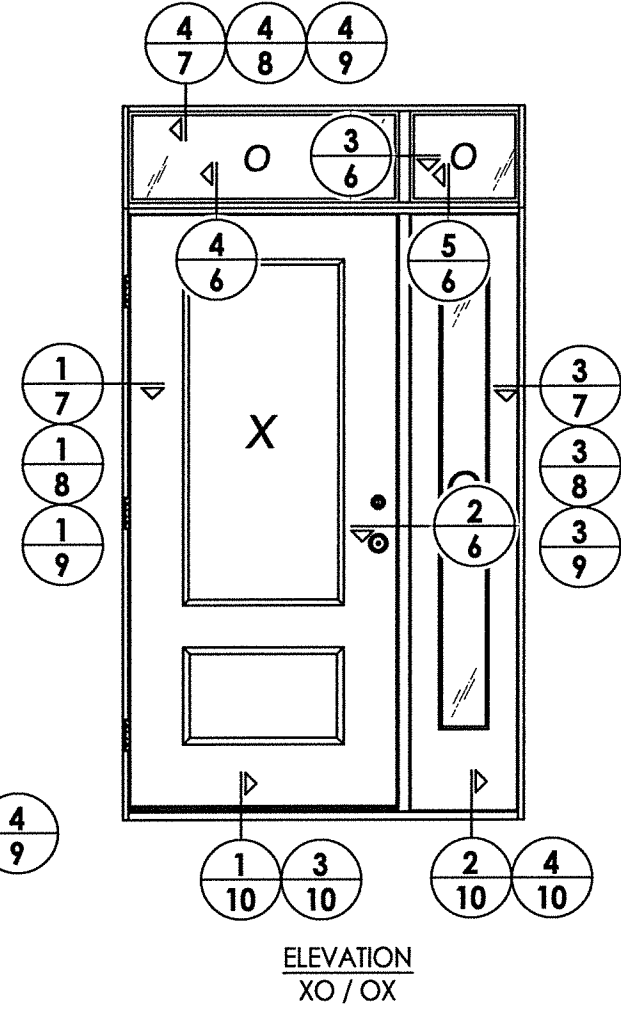
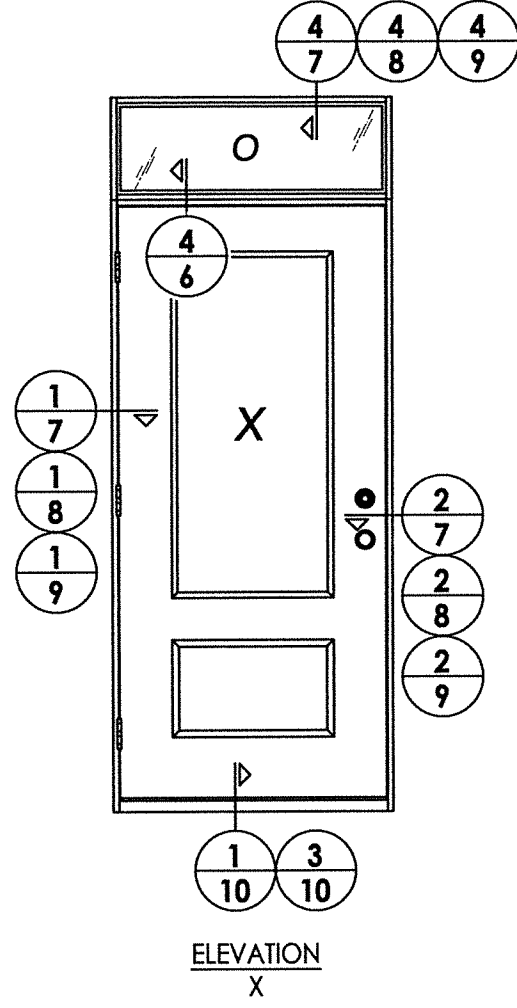
*[Handwritten signature]*

June 7, 2022

Documents Prepared By:  
Lyndon F. Schmidt  
P.E. No. 43409

*RW* BUILDING CONSULTANTS, INC.  
P.O. Box 230, Valrico, FL 33595  
Phone No.: 813.659.9197  
FBPE Registry No. 9813

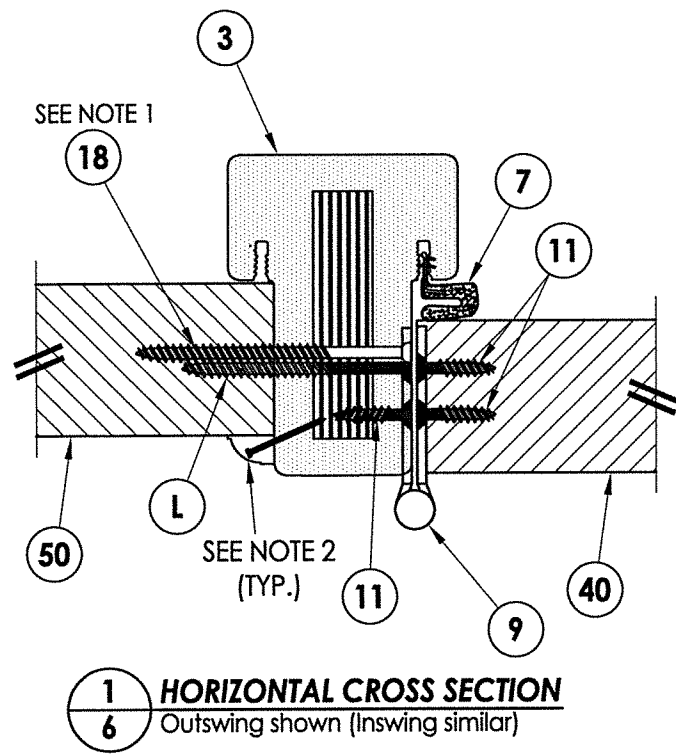
<b>PRODUCT:</b> STEVES & SONS FIBERGLASS DOOR		<b>REVISIONS</b>
<b>PART OR ASSEMBLY:</b> PANEL OPTIONS		
<b>NO.</b>	<b>DATE</b>	<b>BY</b>
<b>DATE:</b> 4/20/22		
<b>SCALE:</b> N.T.S.		
<b>DWG. BY:</b> RW		
<b>CHK. BY:</b> LFS		
<b>DRAWING NO.:</b> FL-41479.8		
<b>SHEET</b> 4 <b>OF</b> 13		



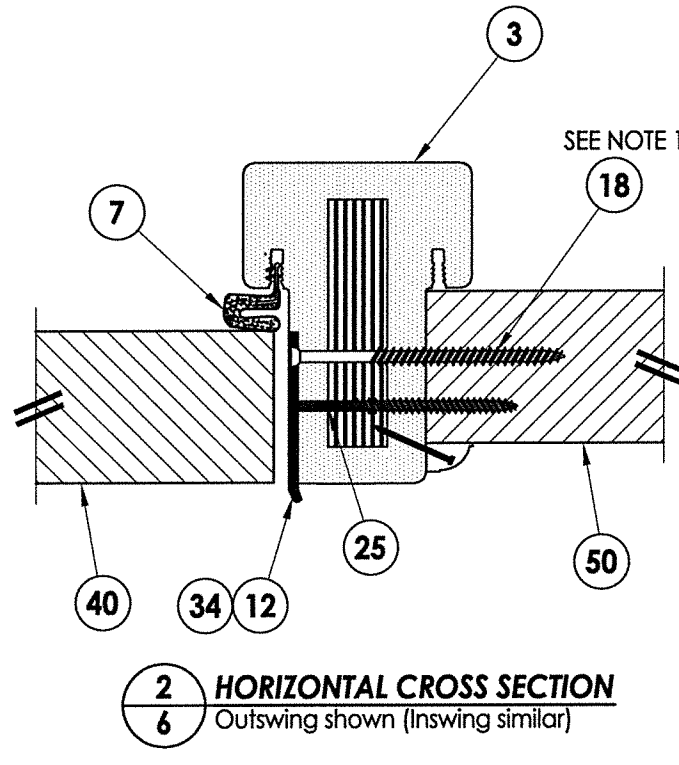
June 7, 2022  
 Documents Prepared By:  
 Lyndon F. Schmidt  
 P.E. No. 43409

**RW**  
 BUILDING CONSULTANTS, INC.  
 P.O. Box 230, Vairico, FL 33595  
 Phone No.: 813.659.9197  
 FBPE Registry No. 9813

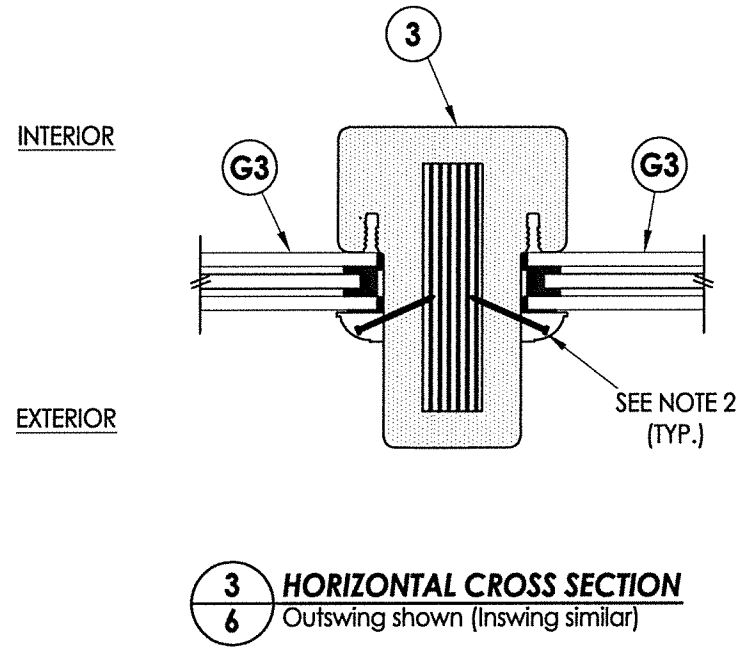
PRODUCT: STEVES & SONS FIBERGLASS DOOR	
PART OR ASSEMBLY: ELEVATIONS	
NO.	DATE
REVISIONS	
	BY
DATE: 4/20/22	
SCALE: N.T.S.	
DWG. BY: RW	
CHK. BY: LFS	
DRAWING NO.:	
FL-41479.8	
SHEET 5 OF 13	



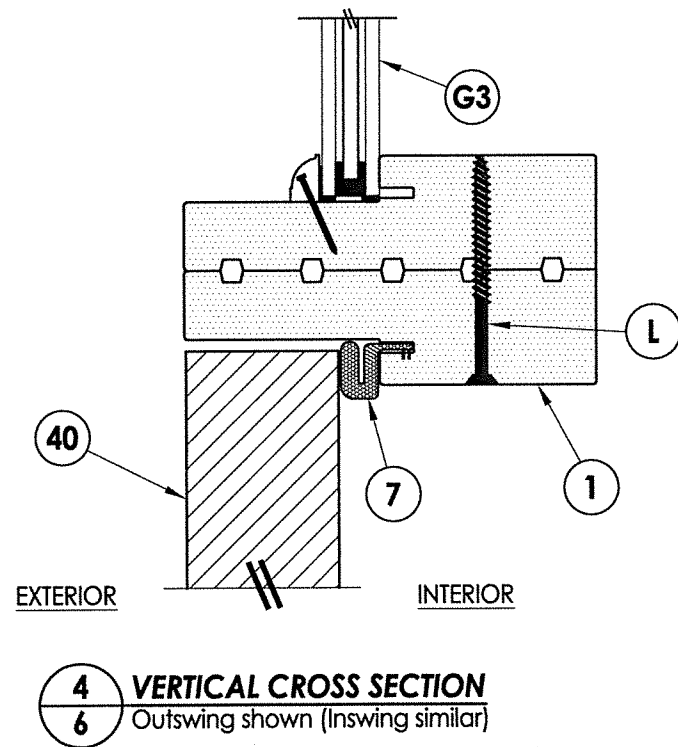
**1** HORIZONTAL CROSS SECTION  
**6** Outswing shown (Inswing similar)



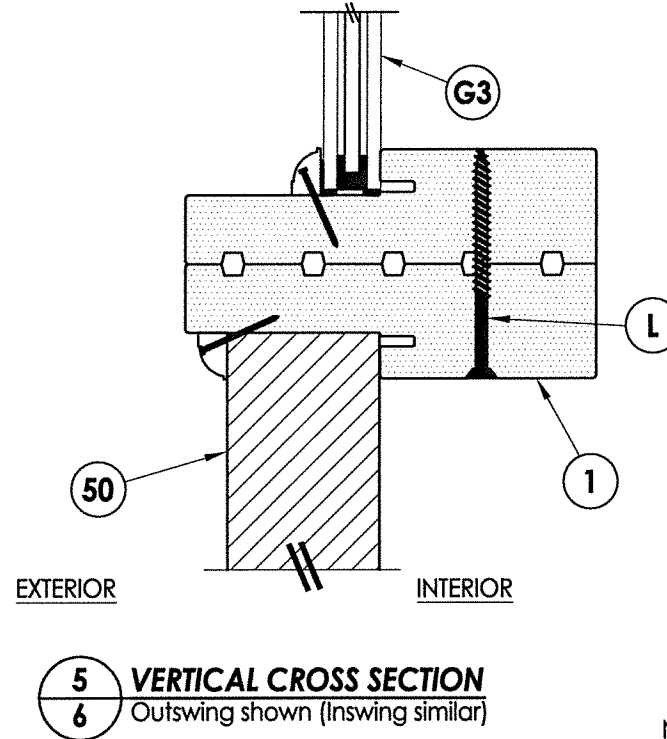
**2** HORIZONTAL CROSS SECTION  
**6** Outswing shown (Inswing similar)



**3** HORIZONTAL CROSS SECTION  
**6** Outswing shown (Inswing similar)



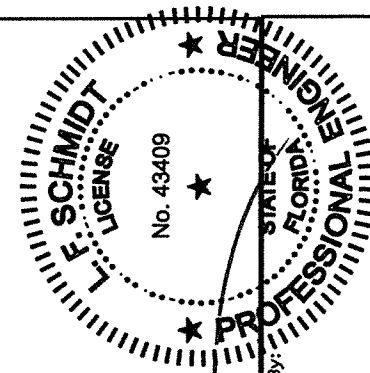
**4** VERTICAL CROSS SECTION  
**6** Outswing shown (Inswing similar)



**5** VERTICAL CROSS SECTION  
**6** Outswing shown (Inswing similar)

**NOTES:**

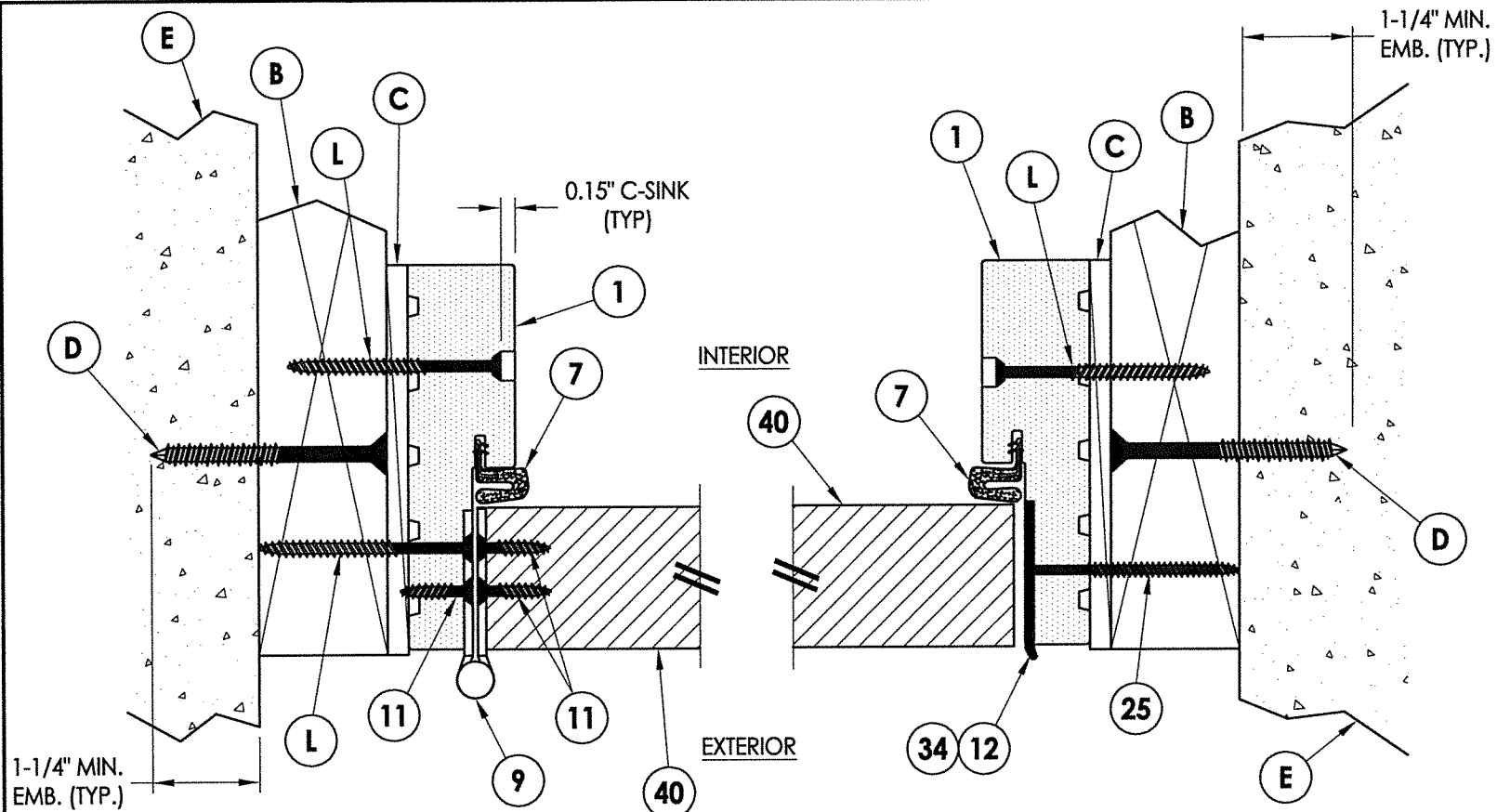
- Sidelite assembly screws located @ 3" & 19" from each end of mullion (4 total).
- Moulding secured w/ 16 GA. X 1" brad nails located 1" from ends & 6" o.c. max.



June 7, 2022  
Documents Prepared By:  
Lyndon F. Schmidt  
P.E. No. 43409

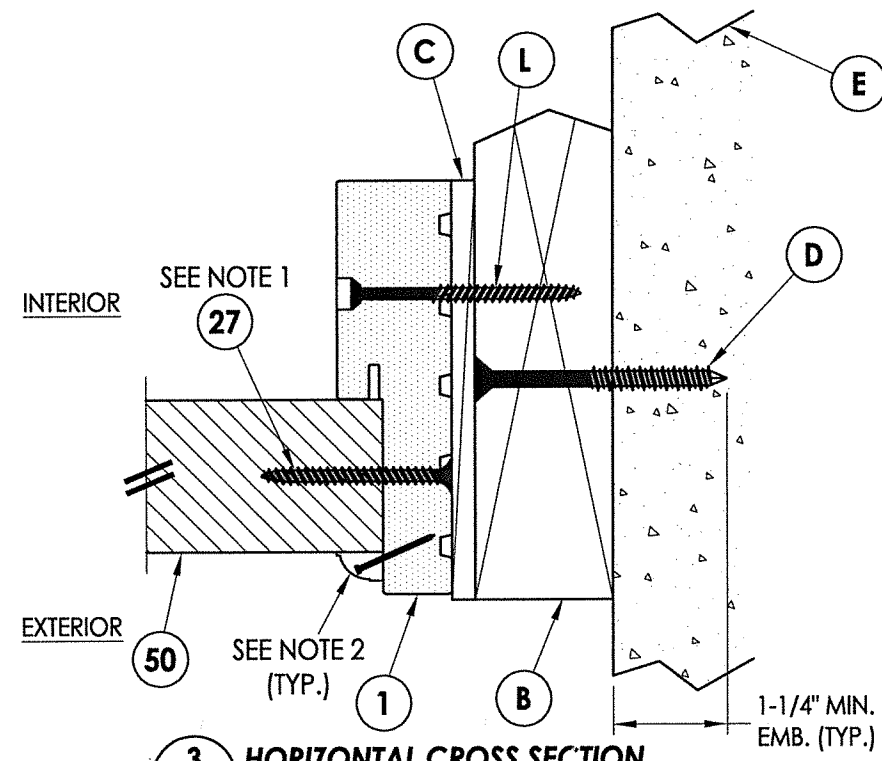
**R.W.**  
BUILDING CONSULTANTS, INC.  
P.O. Box 230, Valrico, FL 33595  
Phone No.: 813.659.9197  
FBPE Registry No. 9813

PRODUCT:		STEVE'S & SONS FIBERGLASS DOOR	
PART OR ASSEMBLY:		HORIZONTAL & VERTICAL CROSS SECTIONS	
NO.	DATE	BY	REVISIONS
DATE:		4/20/22	
SCALE:		N.T.S.	
DWG. BY:		RW	
CHK. BY:		LFS	
DRAWING NO.:		FL-41479.8	
SHEET		6 OF 13	

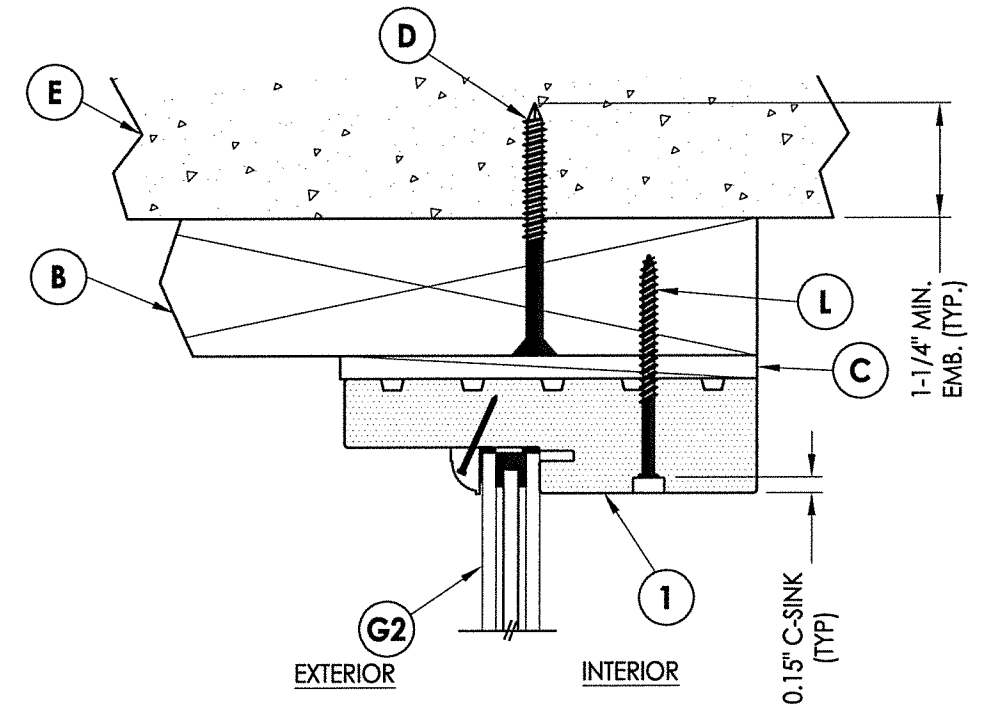


**1**  
**7** **HORIZONTAL CROSS SECTION**  
Shown w/ 2X Buck  
Outswing shown (Inswing similar)

**2**  
**7** **HORIZONTAL CROSS SECTION**  
Shown w/ 2X Buck  
Outswing shown (Inswing similar)



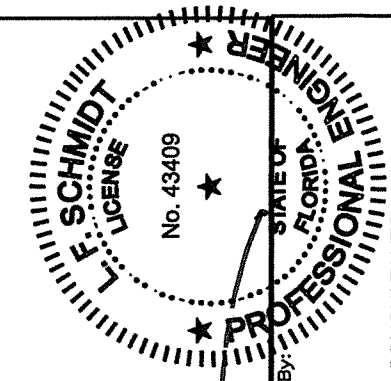
**3**  
**7** **HORIZONTAL CROSS SECTION**  
Shown w/ 2X Buck  
Outswing shown (Inswing similar)



**4**  
**7** **VERTICAL CROSS SECTION**  
Shown w/ 2X Buck  
Outswing shown (Inswing similar)

**NOTES:**

1. Sidelite assembly screws located 4" from each end plus 4 more equally spaced along jamb (6 total).
2. Moulding secured w/ 16 GA. X 1" brad nails located 1" from ends & 6" o.c. max.



*LFS*

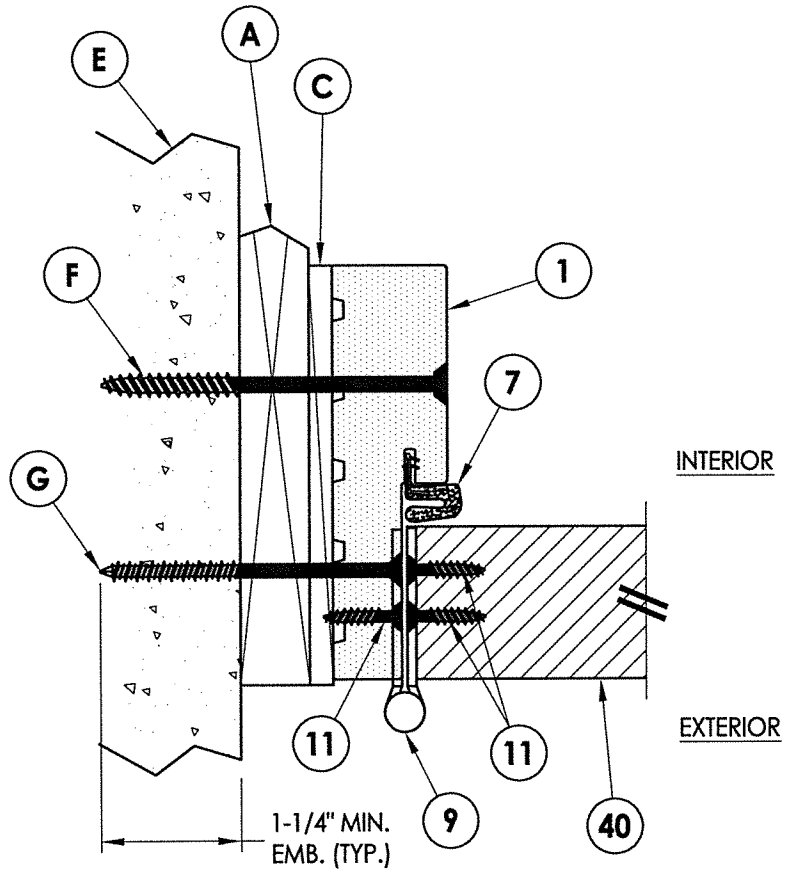
June 7, 2022

Documents Prepared By:  
Lyndon F. Schmidt  
P.E. No. 43409

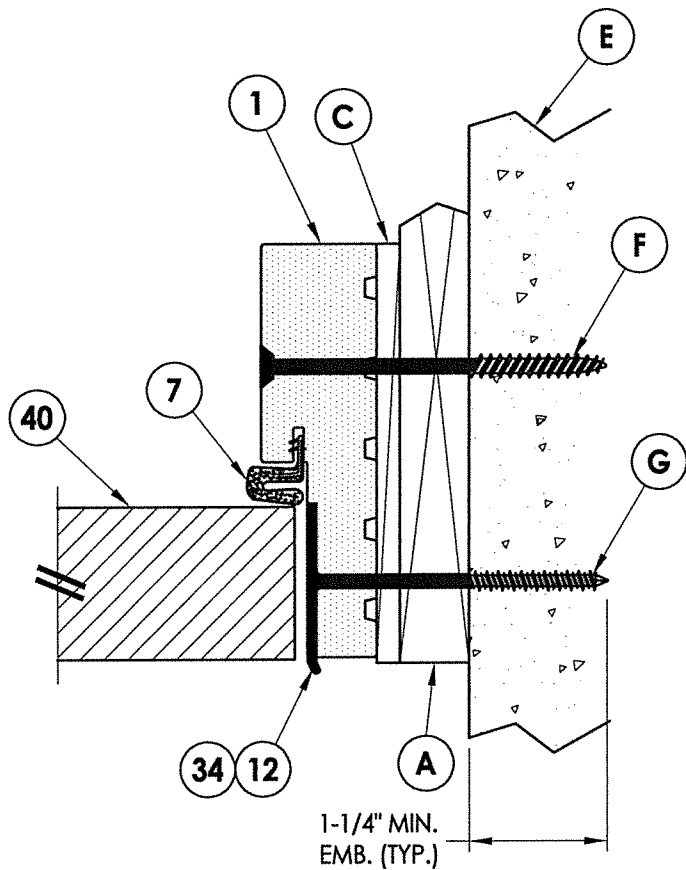
*RW*  
BUILDING CONSULTANTS, INC.  
P.O. Box 230, Valrico, FL 33595  
Phone No.: 813.659.9197  
FBPE Registry No. 9813

PRODUCT:		STEVES & SONS FIBERGLASS DOOR	
PART OR ASSEMBLY:		HORIZONTAL & VERTICAL CROSS SECTIONS (2X BUCK)	
NO.	DATE	BY	REVISIONS
DATE:		4/20/22	
SCALE:		N.T.S.	
DWG. BY:		RW	
CHK. BY:		LFS	
DRAWING NO.:		FL-41479.8	
SHEET		7 of 13	

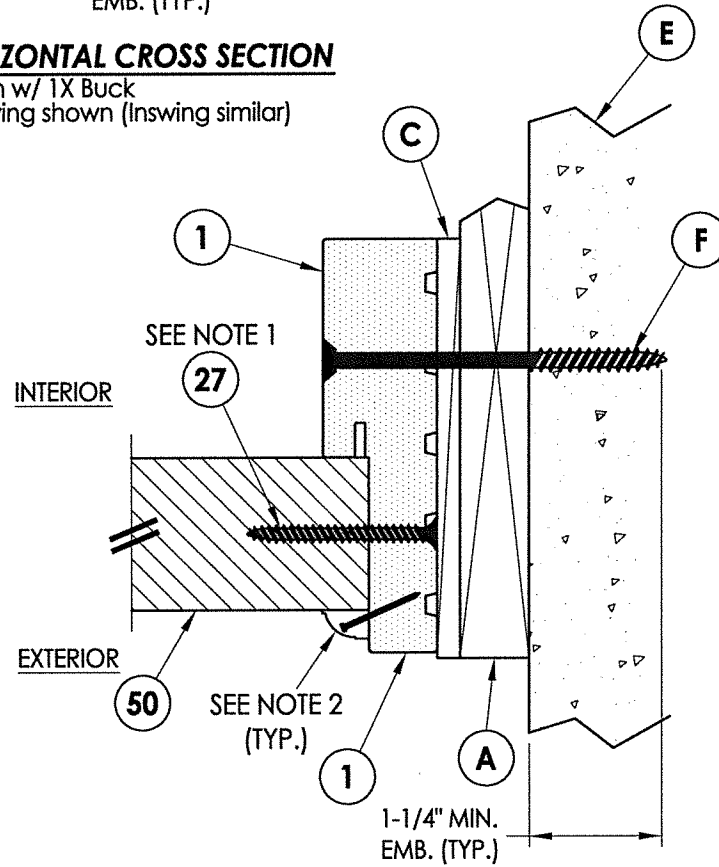
Z:\Clients\Steves and Sons - Permanent\A - Florida Product Approvals\FL-41479 LEGACY SERIES\C - Drawings\FL-41479 (2020)\FL-41479.8.dwg



**1** **HORIZONTAL CROSS SECTION**  
**8** Shown w/ 1X Buck  
Outswing shown (Inswing similar)

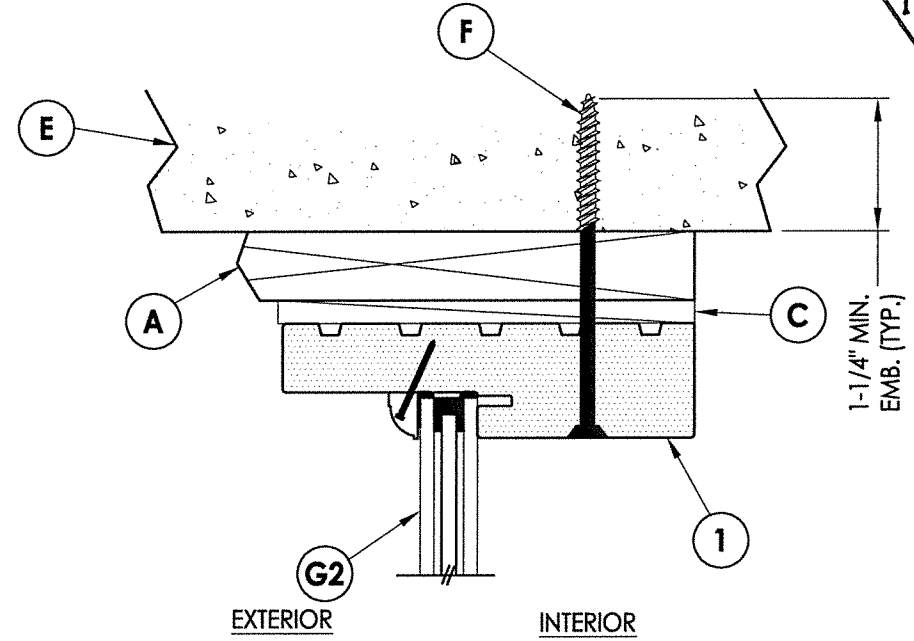


**2** **HORIZONTAL CROSS SECTION**  
**8** Shown w/ 1X Buck  
Outswing shown (Inswing similar)

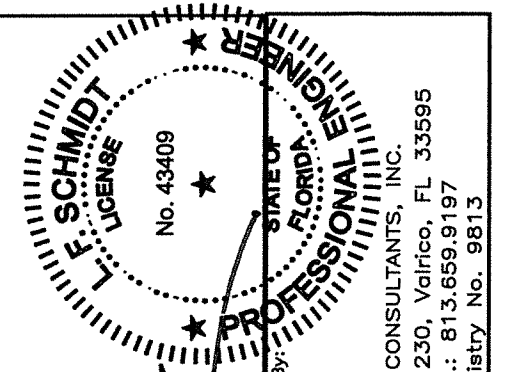


**3** **HORIZONTAL CROSS SECTION**  
**8** Shown w/ 1X Buck  
Outswing shown (Inswing similar)

**NOTES:**  
1. Sidelite assembly screws located 4" from each end plus 4 more equally spaced along jamb (6 total).  
2. Moulding secured w/ 16 GA. X 1" brad nails located 1" from ends & 6" o.c. max.



**4** **VERTICAL CROSS SECTION**  
**8** Shown w/ 1X Buck  
Outswing shown (Inswing similar)

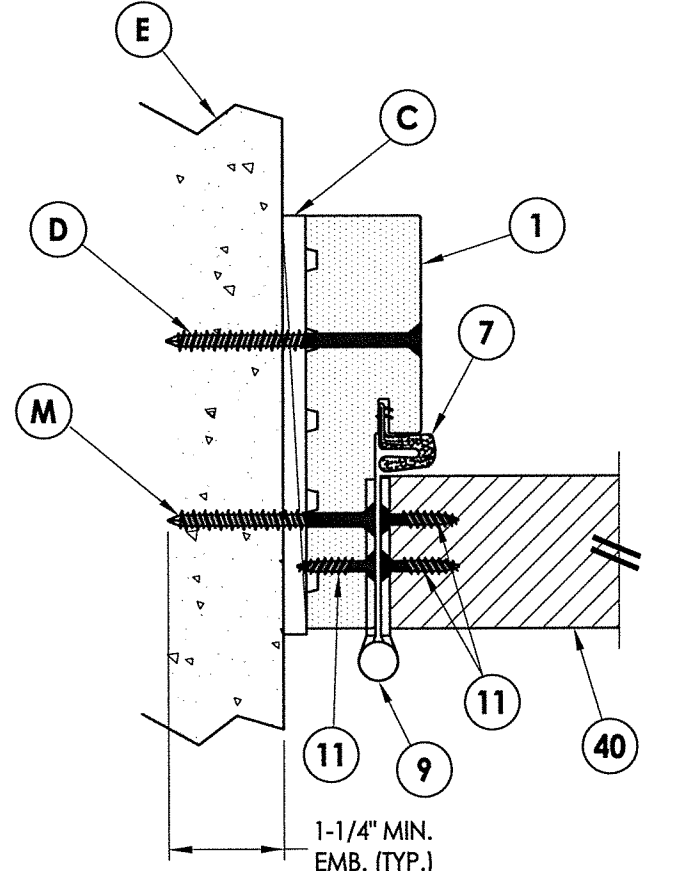


June 7, 2022  
Documents Prepared By:  
Lyndon F. Schmidt  
P.E. No. 43409  
*RW*  
BUILDING CONSULTANTS, INC.  
P.O. Box 230, Valrico, FL 33595  
Phone No.: 813.659.9197  
FBPE Registry No. 9813

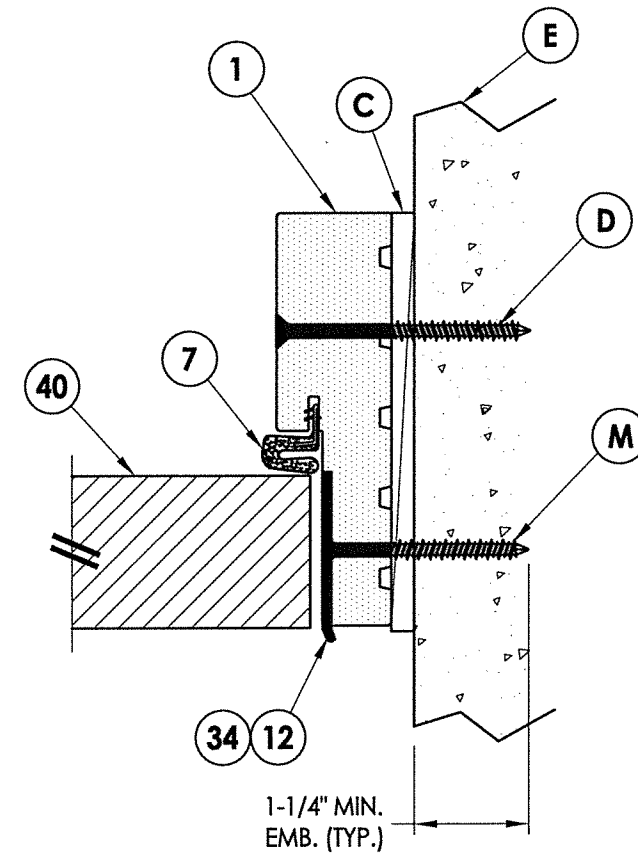
PRODUCT:		STEVES & SONS FIBERGLASS DOOR	
PART OR ASSEMBLY:		HORIZONTAL & VERTICAL CROSS SECTIONS (1X BUCK)	
NO.	DATE	BY	
		REVISIONS	
DATE:		4/20/22	
SCALE:		N.T.S.	
DWG. BY:		RW	
CHK. BY:		LFS	
DRAWING NO.:		FL-41479.8	
SHEET		8 OF 13	

© 2022 R.W. BUILDING CONSULTANTS INC.

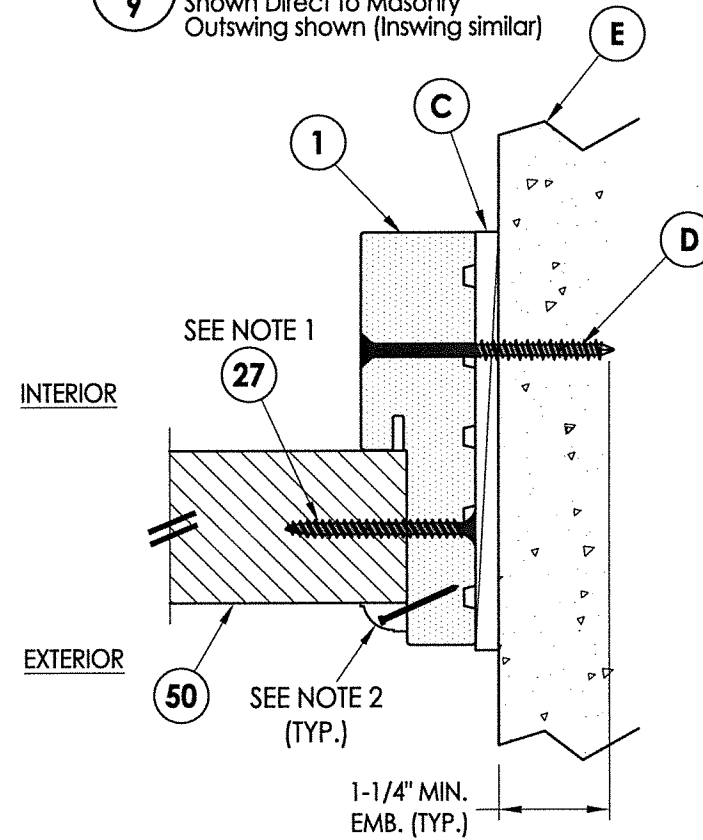




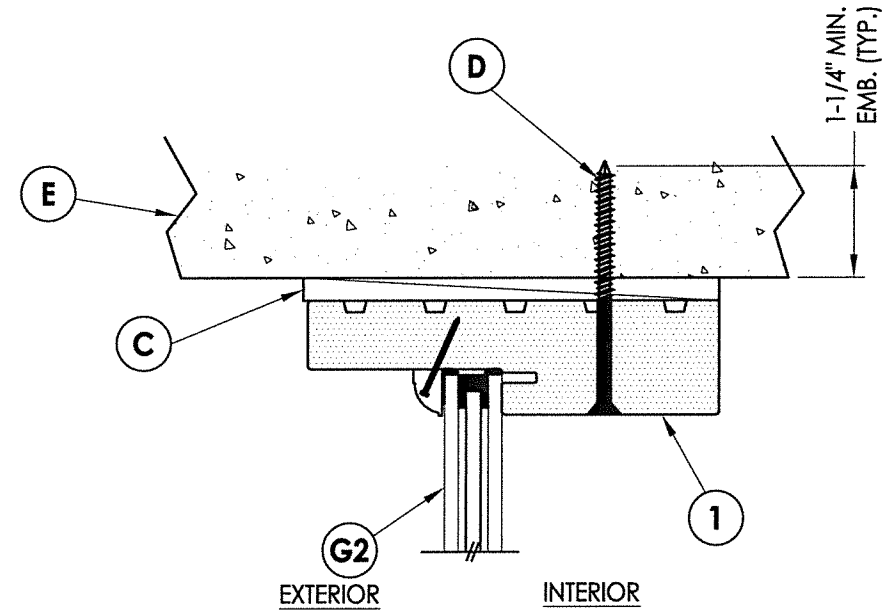
**1**  
**9** **HORIZONTAL CROSS SECTION**  
Shown Direct to Masonry  
Outswing shown (Inswing similar)



**2**  
**9** **HORIZONTAL CROSS SECTION**  
Shown Direct to Masonry  
Outswing shown (Inswing similar)



**3**  
**9** **HORIZONTAL CROSS SECTION**  
Shown Direct to Masonry  
Outswing shown (Inswing similar)



**4**  
**9** **VERTICAL CROSS SECTION**  
Shown Direct to Masonry  
Outswing shown (Inswing similar)

- NOTES:**
1. Sidelite assembly screws located 4" from each end plus 4 more equally spaced along jamb (6 total).
  2. Moulding secured w/ 16 GA. X 1" brad nails located 1" from ends & 6" o.c. max.

**F. SCHMIDT**  
FLORIDA  
LICENSE  
No. 43409

STATE OF FLORIDA  
**PROFESSIONAL ENGINEER**

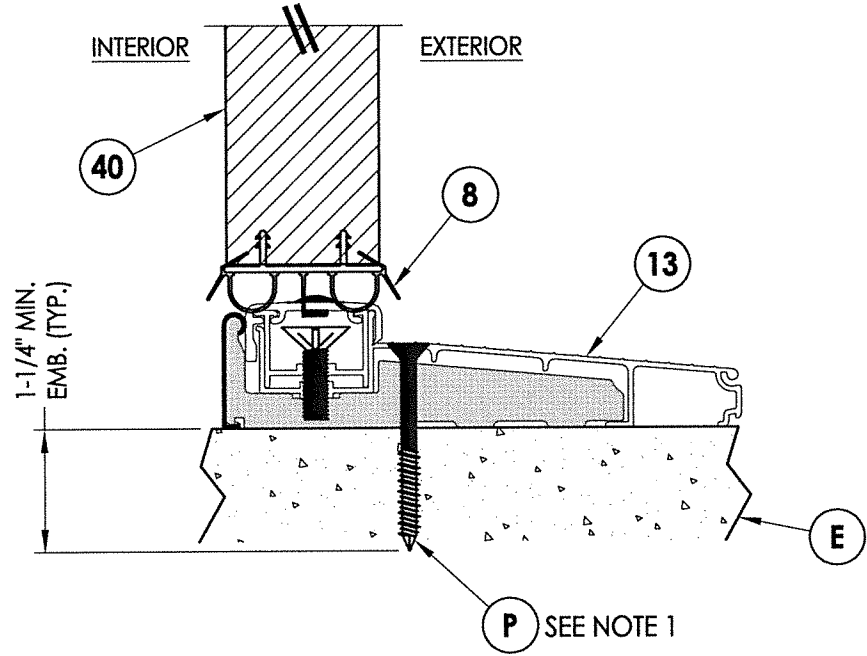
June 7, 2022  
 Documents Prepared By:  
 Lyndon F. Schmidt  
 P.E. No. 43409

**R.W.** BUILDING CONSULTANTS, INC.  
 P.O. Box 230, Valrico, FL 33595  
 Phone No.: 813.659.9197  
 FBPE Registry No. 9813

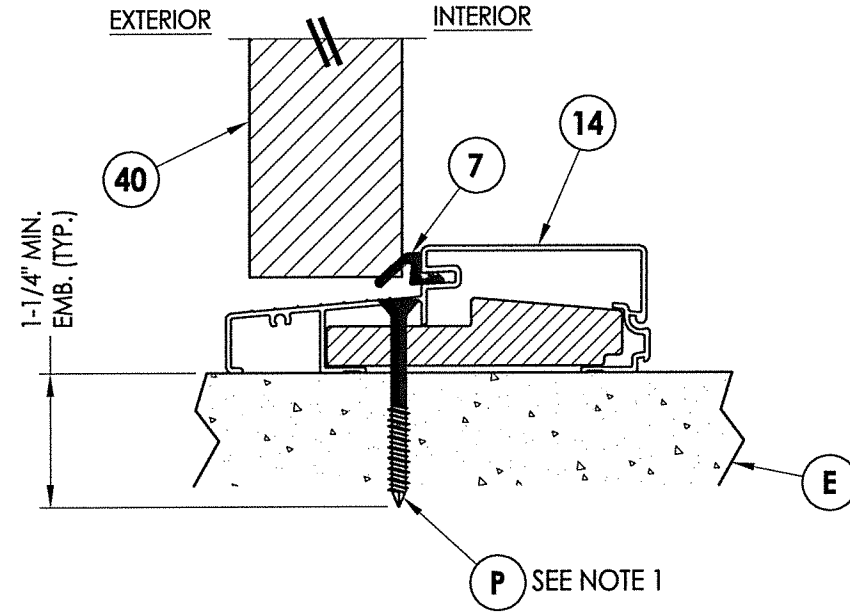
NO.	DATE	BY	REVISIONS
DATE: 4/20/22			
SCALE: N.T.S.			
DWG. BY: RW			
CHK. BY: LFS			
DRAWING NO.: FL-41479.8			
SHEET 9 OF 13			

**NOTE:**

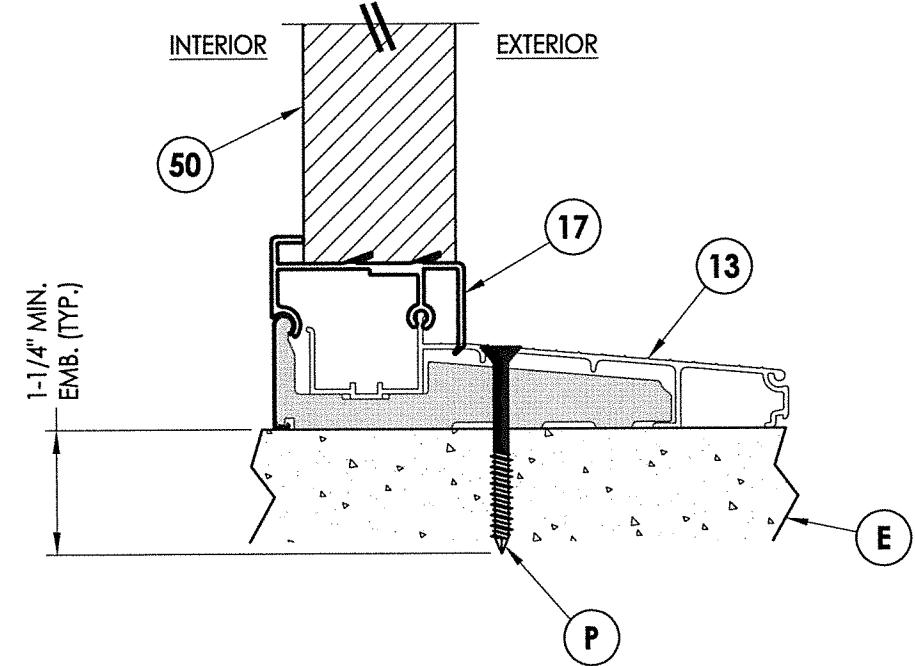
1. Anchor @ sill is not required for single door (X) only.



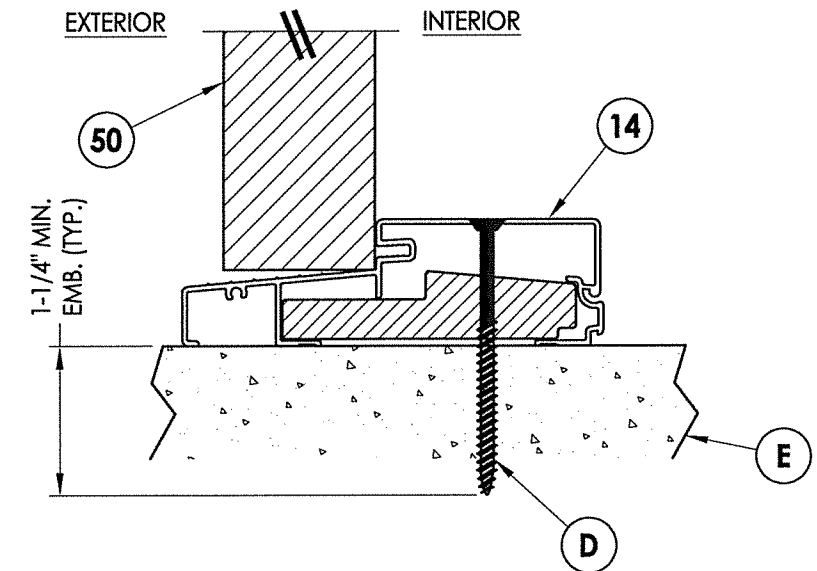
1 VERTICAL CROSS SECTION  
10 Inswing Threshold



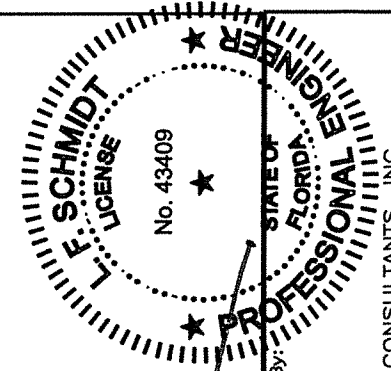
2 VERTICAL CROSS SECTION  
10 Outswing Threshold



3 VERTICAL CROSS SECTION  
10 Inswing Threshold



4 VERTICAL CROSS SECTION  
10 Outswing Threshold



June 7, 2022  
 Documents Prepared By:  
 Lyndon F. Schmidt  
 P.E. No. 43409

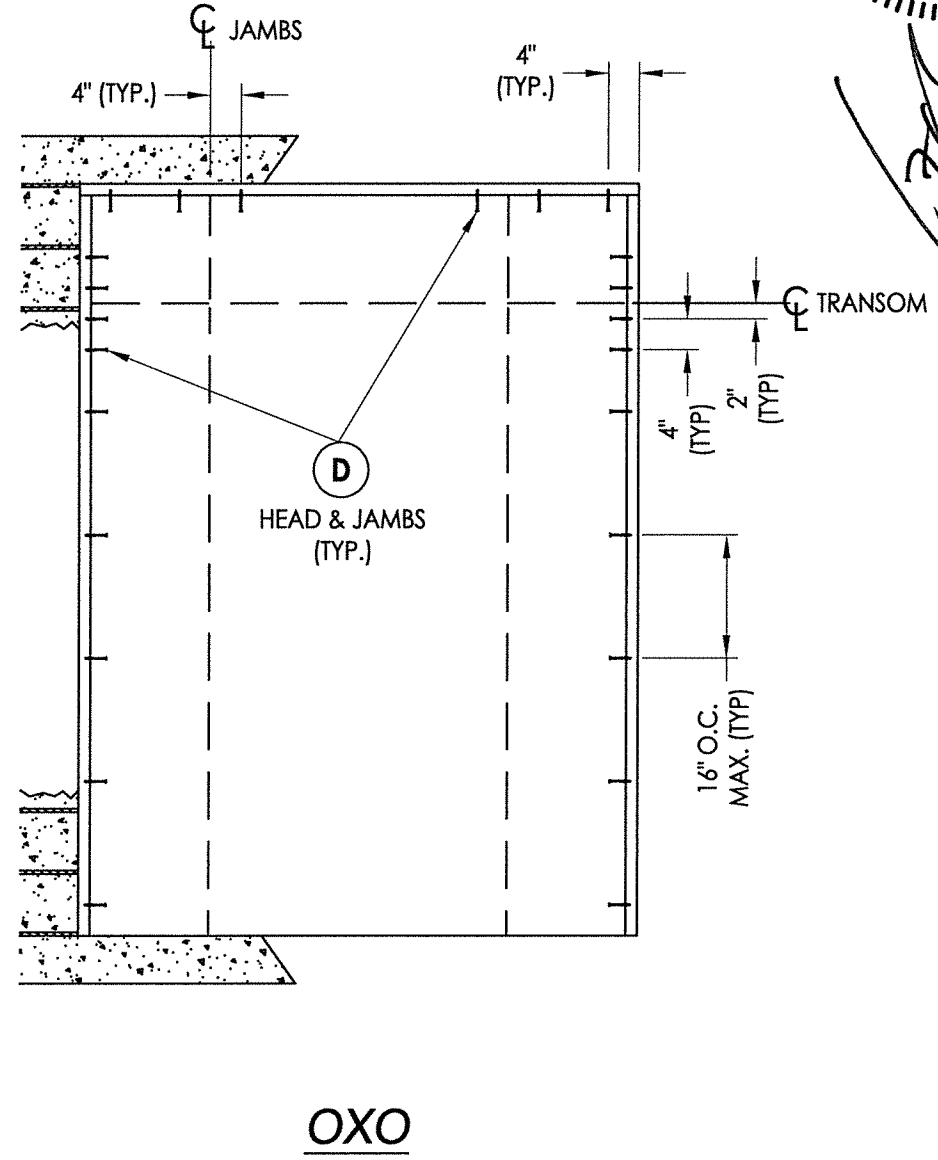
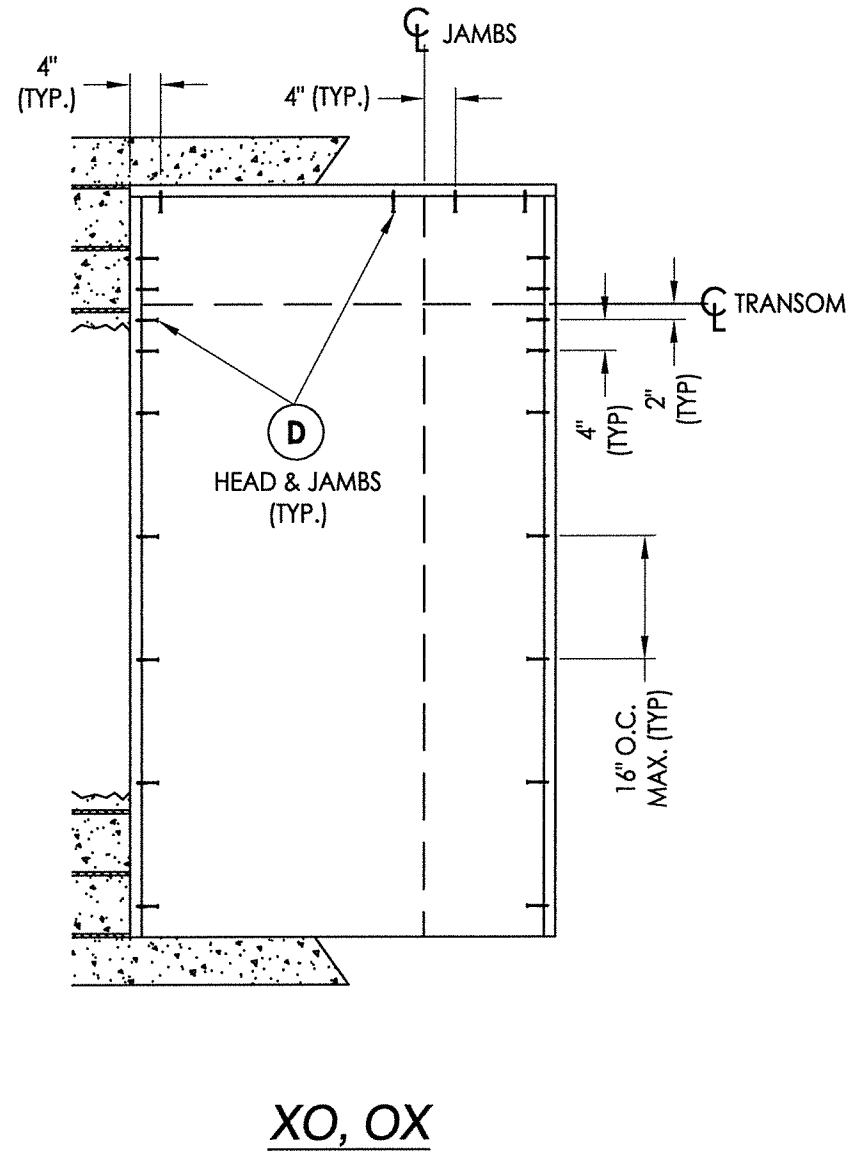
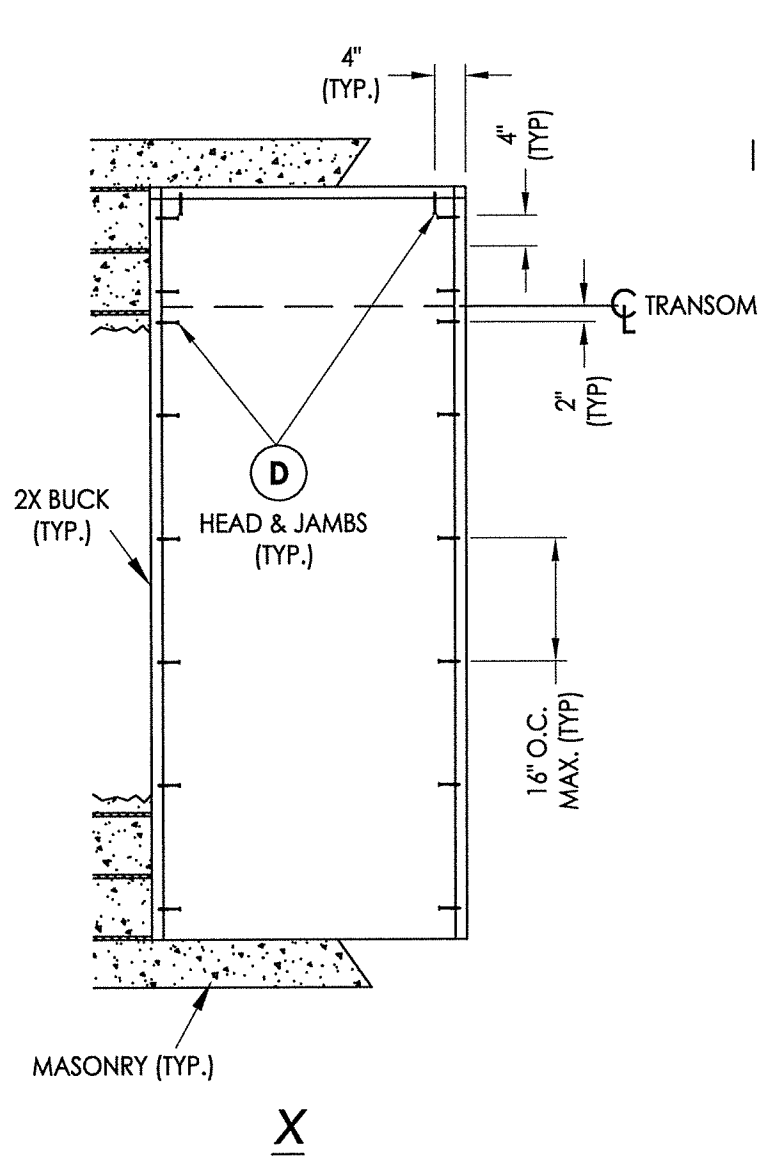
**RW** BUILDING CONSULTANTS, INC.  
 P.O. Box 230, Vairico, FL 33595  
 Phone No.: 813.659.9197  
 FBPE Registry No. 9813

PRODUCT:	STEVES & SONS FIBERGLASS DOOR
PART OR ASSEMBLY:	VERTICAL CROSS SECTIONS

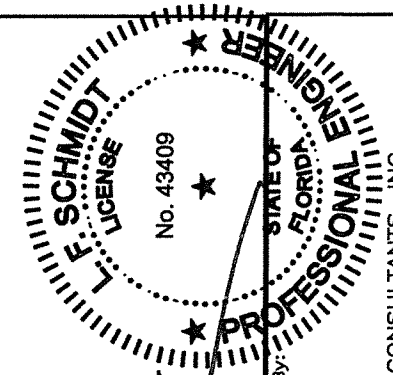
NO.	DATE	BY

DATE:	4/20/22
SCALE:	N.T.S.
DWG. BY:	RW
CHK. BY:	LFS
DRAWING NO.:	FL-41479.8
SHEET	10 OF 13

Z:\Clients\Steves and Sons - Permanent\A - Florida Product Approvals\FL-41479 LEGACY SERIES\C - Drawings\FL-41479 (2020)\FL-41479.8.dwg



**2X BUCK ANCHORING**



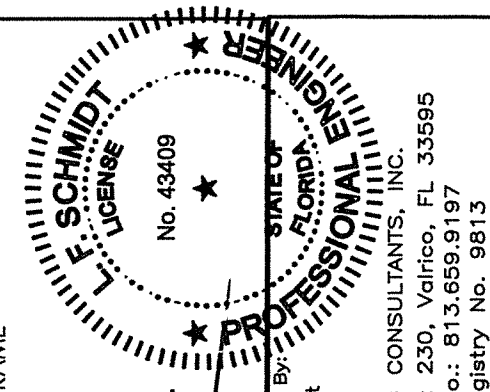
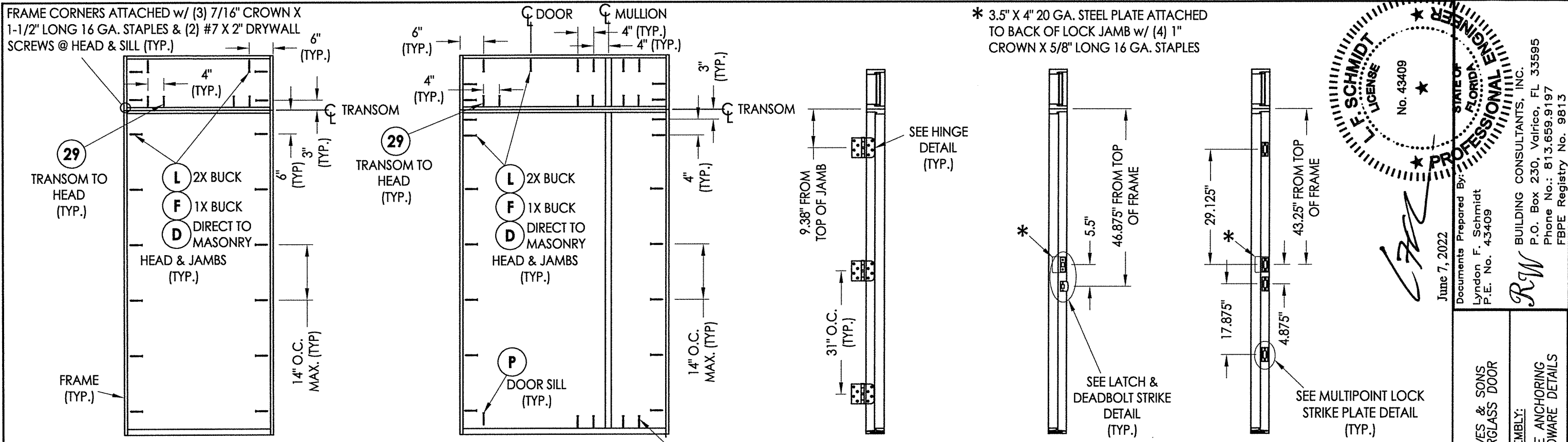
June 7, 2022

Documents Prepared By:  
Lyndon F. Schmidt  
P.E. No. 43409

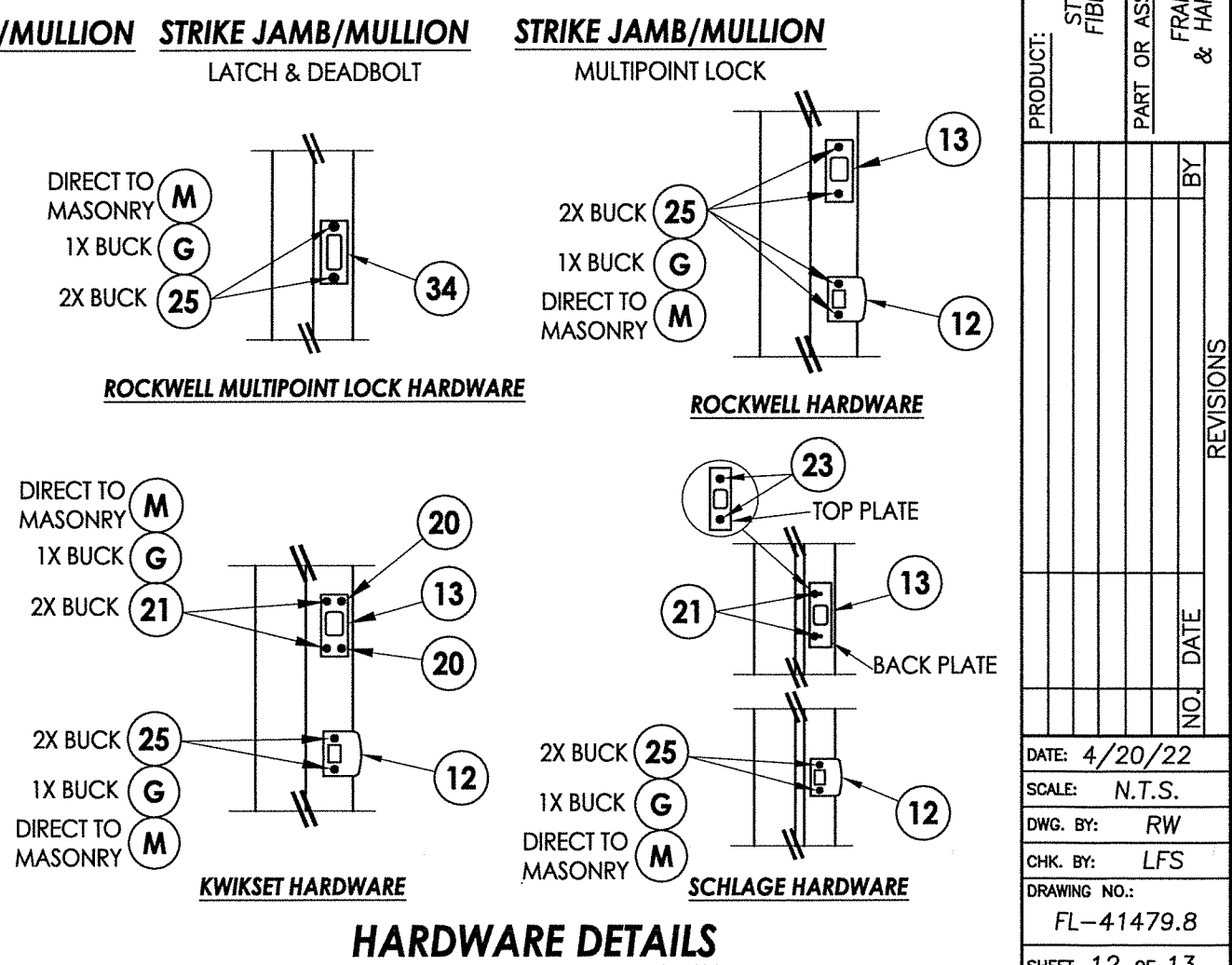
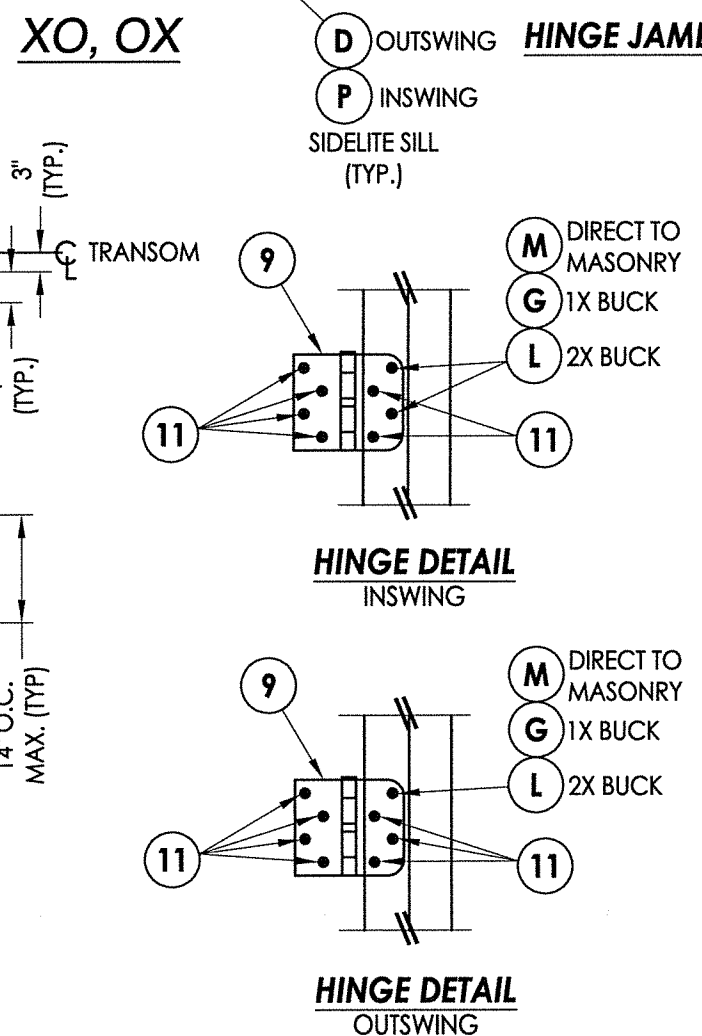
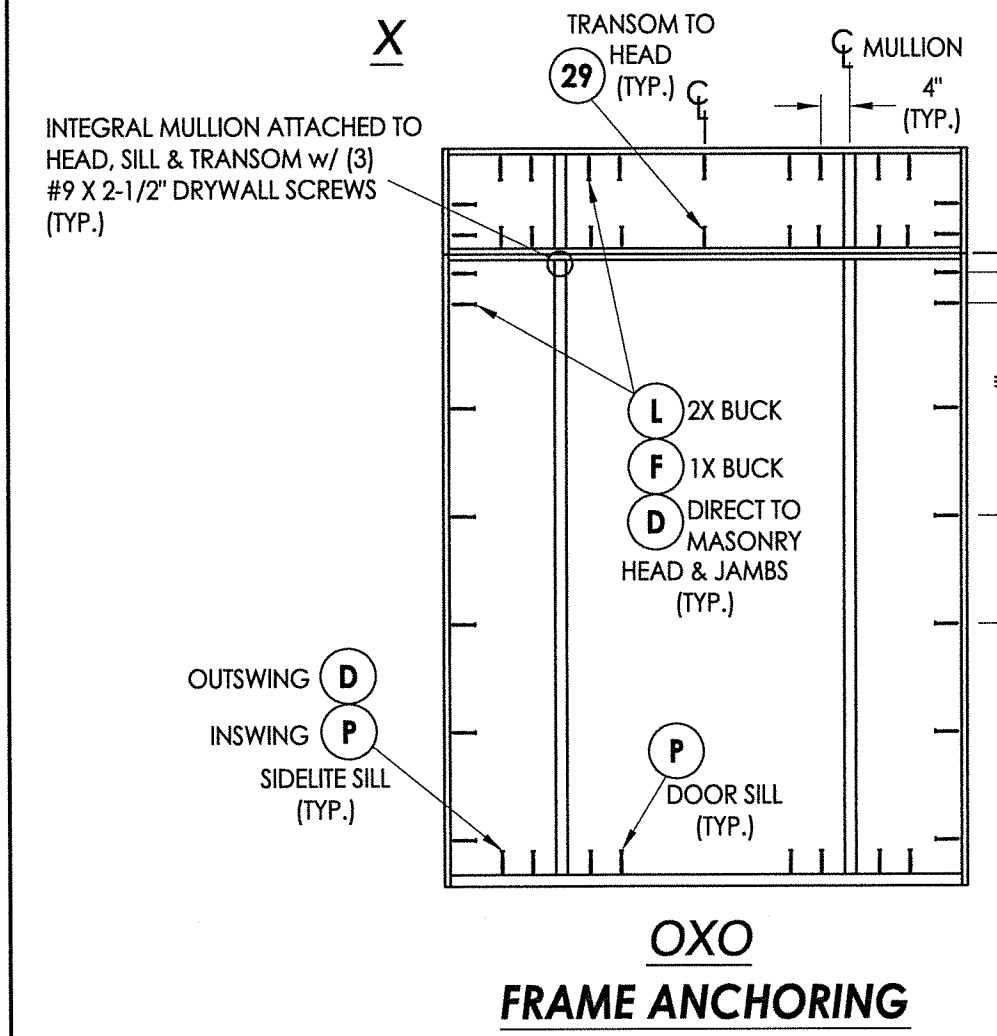
**RW** BUILDING CONSULTANTS, INC.  
P.O. Box 230, Valrico, FL 33595  
Phone No.: 813.659.9197  
FBPE Registry No. 9813

PRODUCT:		STEVE'S & SONS FIBERGLASS DOOR	
PART OR ASSEMBLY:		BUCK ANCHORING	
NO.	DATE	BY	
REVISIONS			
DATE: 4/20/22			
SCALE: N.T.S.			
DWG. BY: RW			
CHK. BY: LFS			
DRAWING NO.: FL-41479.8			
SHEET 11 OF 13			

Z:\Clients\Steves and Sons - Permanent\A - Florida Product Approvals\FL-41479 LEGACY SERIES\C - Drawings\FL-41479 (2020)\FL-41479.8.dwg

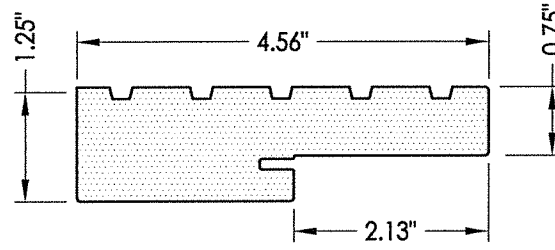


June 7, 2022  
Documents Prepared By:  
Lyndon F. Schmidt  
P.E. No. 43409  
R.W.  
BUILDING CONSULTANTS, INC.  
P.O. Box 230, Valrico, FL 33595  
Phone No.: 813.659.9197  
FBPE Registry No. 9813

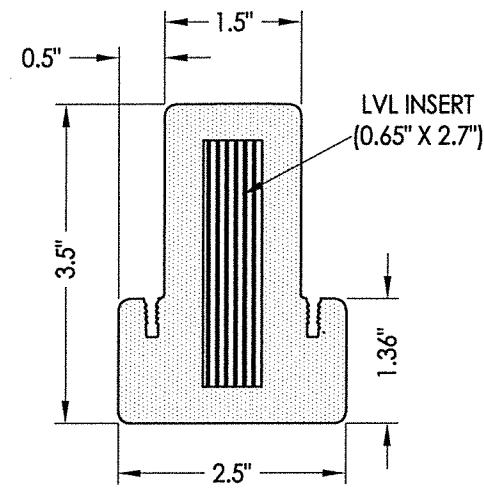


© 2022 R.W. BUILDING CONSULTANTS INC.

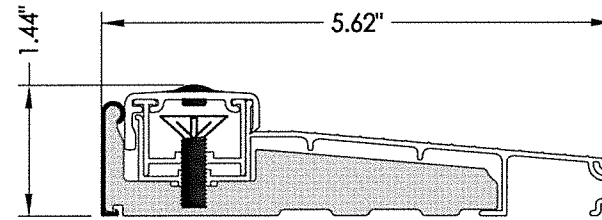
BILL OF MATERIALS		
ITEM #	DESCRIPTION	MATERIAL
A	1X BUCK (G >= 0.42)	WOOD
B	2X BUCK (G >= 0.42)	WOOD
C	1/4" MAX. SHIM SPACE	-
D	1/4" X 2-3/4" PFH DeWALT OR ITW CONCRETE SCREW	STEEL
E	MASONRY - 3,000 PSI MIN. CONCRETE CONFORMING TO ACI 301 OR HOLLOW BLOCK CONFORMING TO ASTM C90	CONCRETE
F	1/4" X 3-3/4" PFH DeWALT OR ITW CONCRETE SCREW	STEEL
G	3/16" X 3-1/4" PFH ITW CONCRETE SCREW	STEEL
L	#10 X 2-1/2" PFH WOOD SCREW (1.15" MIN. EMB.)	STEEL
M	3/16" X 2-1/4" PFH ITW CONCRETE SCREW	STEEL
P	1/4" X 2-1/4" PFH DeWALT OR ITW CONCRETE SCREW	STEEL
1	COMPOSITE JAMB	COMP
3	COMPOSITE MULLION	COMP/LVL
7	WEATHERSTRIP	FOAM
8	SWEEP	VINYL
9	4" X 4" HINGE	STEEL
11	#9 X 3/4" PFH WOOD SCREW	STEEL
12	LATCH STRIKE PLATE	STEEL
13	DEADBOLT STRIKE PLATE	STEEL
14	INSWING THRESHOLD	ALUM/COMP
15	OUTSWING THRESHOLD	ALUM/COMP
17	INSWING SIDELITE ADAPTER	PVC
18	#8 X 3" SD TRIM SCREW	STEEL
20	#9 X 1/2" PFH WOOD SCREW	STEEL
21	#12 X 2-1/2" PFH WOOD SCREW	STEEL
23	#8 X 3/4" PFH WOOD SCREW	STEEL
25	#8 X 2-1/2" PFH WOOD SCREW	STEEL
27	#7 X 1-5/8" DRYWALL SCREW	STEEL
29	#10 X 2" PFH WOOD SCREW	STEEL
40	DOOR PANEL	-
50	SIDELITE PANEL	-



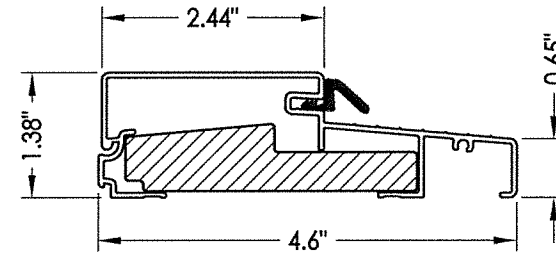
**1 COMPOSITE JAMB**  
WORLDWIDE "4EVER"



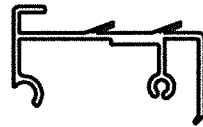
**3 COMPOSITE MULLION**



**14 INSWING THRESHOLD**  
Columbia



**15 OUTSWING THRESHOLD**  
Columbia



**17 INSWING SIDELITE SPACER**  
Columbia

**CONCRETE ANCHOR NOTES:**

- Concrete anchor locations at the corners may be adjusted to maintain the min. edge distance to mortar joints.
- Concrete anchor locations noted as "MAX. ON CENTER" must be adjusted to maintain the min. edge distance to mortar joints, additional concrete anchors may be required to ensure the "MAX. ON CENTER" dimension are not exceeded.
- Concrete anchor table:

ANCHOR TYPE	ANCHOR SIZE	MIN. EMBEDMENT	MIN. CLEARANCE TO MASONRY EDGE	MIN. CLEARANCE TO ADJACENT ANCHOR
ITW BUILDEX TAPCON®	3/16"	1-1/4"	3"	1-1/2"
	1/4"	1-1/4"	2"	4"
DeWALT ULTRACON®	1/4"	1-1/4"	1"	4"

**WOOD SCREW INSTALLATION NOTES:**

- Maintain a minimum 5/8" edge distance, 1" end distance, & 1" o.c. spacing of wood screws to prevent the splitting of wood.

June 7, 2022

Documents Prepared By:  
Lyndon F. Schmidt  
P.E. No. 43409

**R.W.**  
BUILDING CONSULTANTS, INC.  
P.O. Box 230, Valrico, FL 33595  
Phone No.: 813.659.9197  
FBPE Registry No. 9813

PRODUCT:	ALL SEASONS, INC. FIBERGLASS DOOR	
PART OR ASSEMBLY:	BILL OF MATERIALS & COMPONENTS	
NO.	DATE	BY
REVISIONS		
DATE:	4/20/22	
SCALE:	N.T.S.	
DWG. BY:	RW	
CHK. BY:	LFS	
DRAWING NO.:	FL-41479.8	
SHEET	13	OF 13