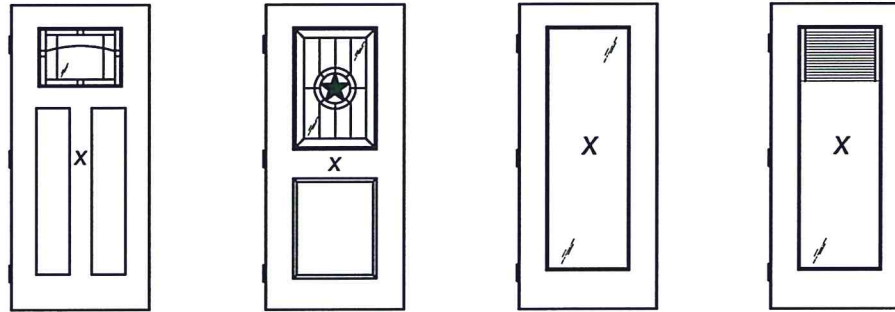


**STEVES AND SONS**

203 Humble Ave.  
San Antonio, TX 78225



1/4 LITE      1/2 LITE      FULL LITE      FULL LITE  
w/ MICROBLINDS

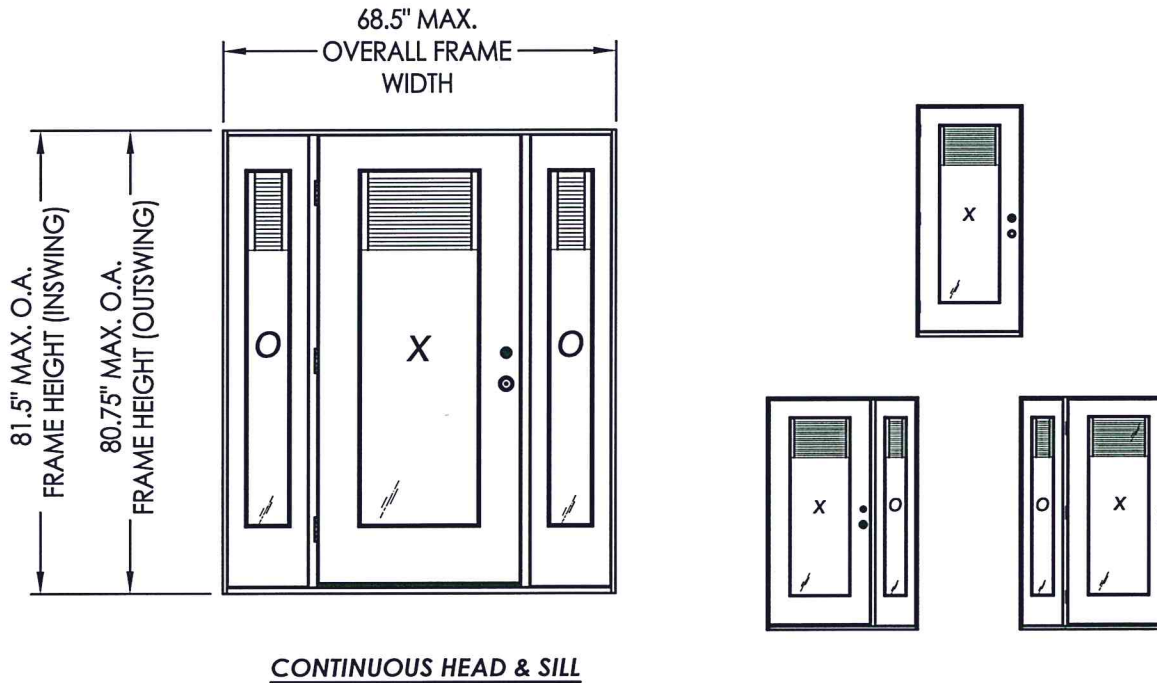
**LEGACY DECORATIVE & MICROBLIND COLLECTION**

**DIRECT GLAZED FIBERGLASS DOOR  
SINGLE  
w/ or w/out SIDELITE(S)  
INSWING/OUTSWING  
"NON-IMPACT"**

GENERAL NOTES

1. This product has been evaluated and is in compliance with the 7th Edition (2020) Florida Building Code (FBC) structural requirements excluding the "High Velocity Hurricane Zone" (HVHZ).
2. Product anchors shall be as listed and spaced as shown on details. Anchor embedment to base material shall be beyond wall dressing or stucco.
3. When used in areas requiring wind borne debris protection this product is required to be protected with an impact resistant covering that complies with FBC Sections 1609.1.2 & R301.2.1.2 of the FBC.
4. For 2x stud framing construction, anchoring of these units shall be the same as that shown for 2x buck masonry construction.
5. Site conditions that deviate from the details of this drawing require further engineering analysis by a licensed engineer or registered architect.

TABLE OF CONTENTS		
SHEET #	DESCRIPTION	SHEET #
1	Typical Elevations, Design Pressures & General Notes	8
2	Door Panel Details	9
3	Sidelite Panel Details	10
4	Panel Options	11
5	Elevations	12
6	Horizontal Cross Sections	13
7	Horizontal & Vertical Cross Sections (2X Buck)	



CONTINUOUS HEAD & SILL

CONFIGURATION	MAX. FRAME DIMENSION	DESIGN PRESSURE (PSF) INSWING		DESIGN PRESSURE (PSF) OUTSWING	
		POSITIVE	NEGATIVE	POSITIVE	NEGATIVE
X	37.5" x 81.5"	+60.0	+60.0	+60.0	+60.0
XO, OX, OXO	68.5" x 81.5"	+40.0	-40.0	+40.0	+40.0

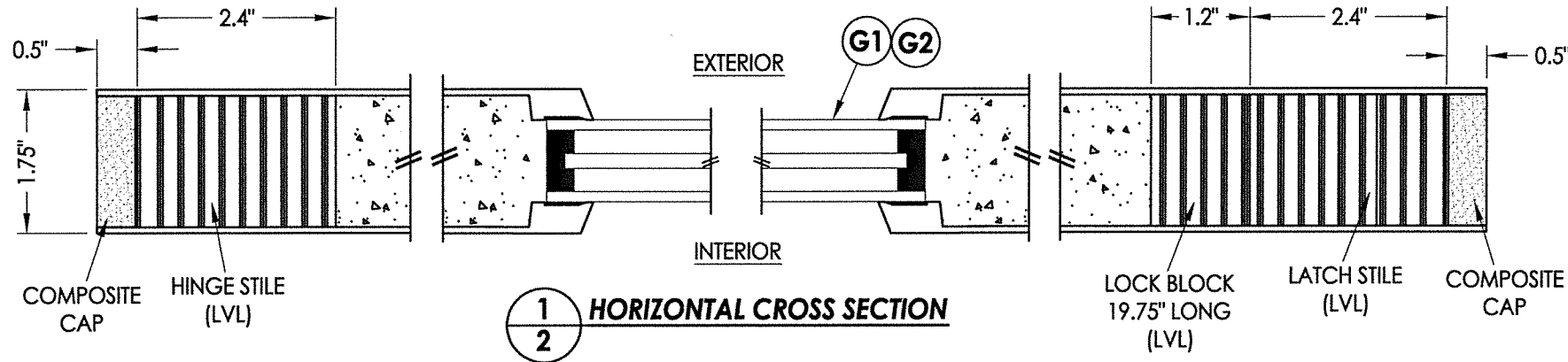
June 7, 2022  
 Documents Prepared By: Lyndon F. Schmidt  
 P.E. No. 43409  
 R.W. BUILDING CONSULTANTS, INC.  
 P.O. Box 230, Valrico, FL 33595  
 Phone No.: 813.659.9197  
 FBPE Registry No. 9813

PRODUCT: STEVES & SONS FIBERGLASS DOOR		PART OR ASSEMBLY: TYPICAL ELEVATION, DESIGN PRESSURES & GENERAL NOTES	
NO.	DATE	BY	REVISIONS
DATE: 4/20/22		SCALE: N.T.S.	
DWG. BY: RW		CHK. BY: LFS	
DRAWING NO.: FL-41479.4			
SHEET 1 OF 13			

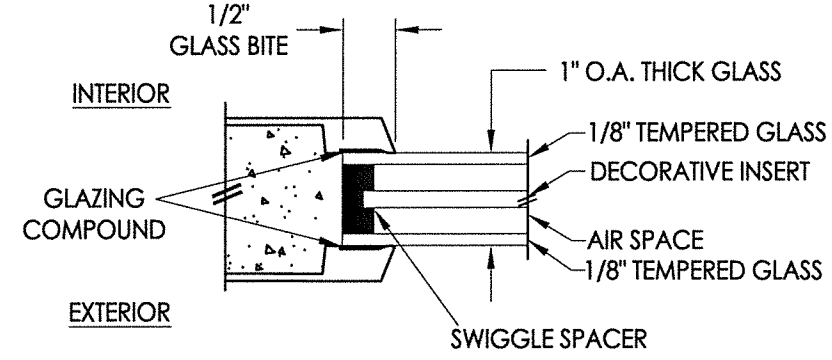
Z:\Clients\Stevens and Sons - Permanent\A - Florida Product Approvals\FL-41479 LEGACY SERIES\C - Drawings\FL-41479 (2020)\FL-41479.4.dwg

© 2022 R.W. BUILDING CONSULTANTS INC.

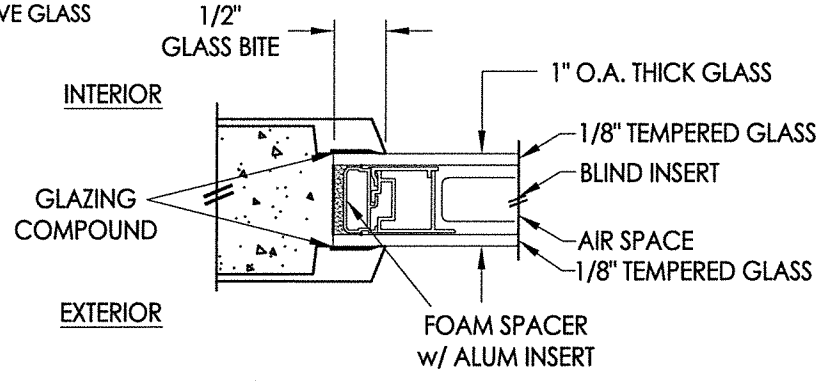
Z:\Clients\Stevens and Sons - Permanent\A - Florida Product Approvals\FL-41479 LEGACY SERIES\C - Drawings\FL-41479 (2020)\FL-41479.4.dwg



**1**  
**2** HORIZONTAL CROSS SECTION

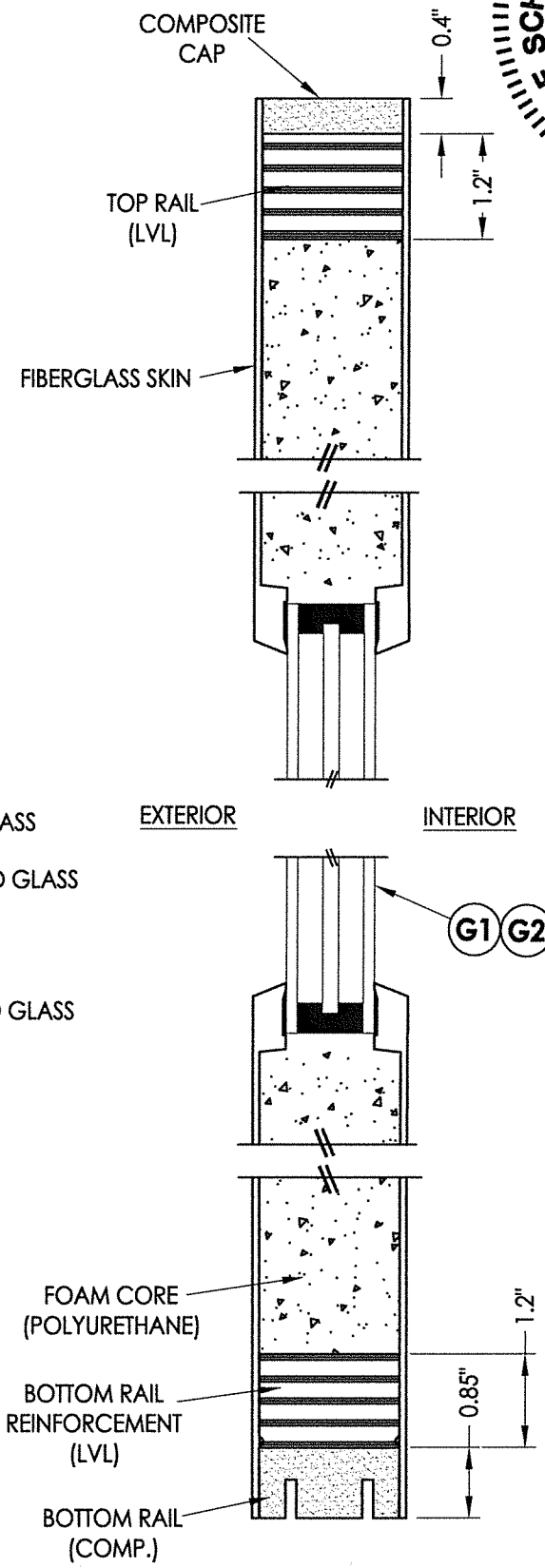


**G1** GLAZING DETAIL  
DECORATIVE GLASS

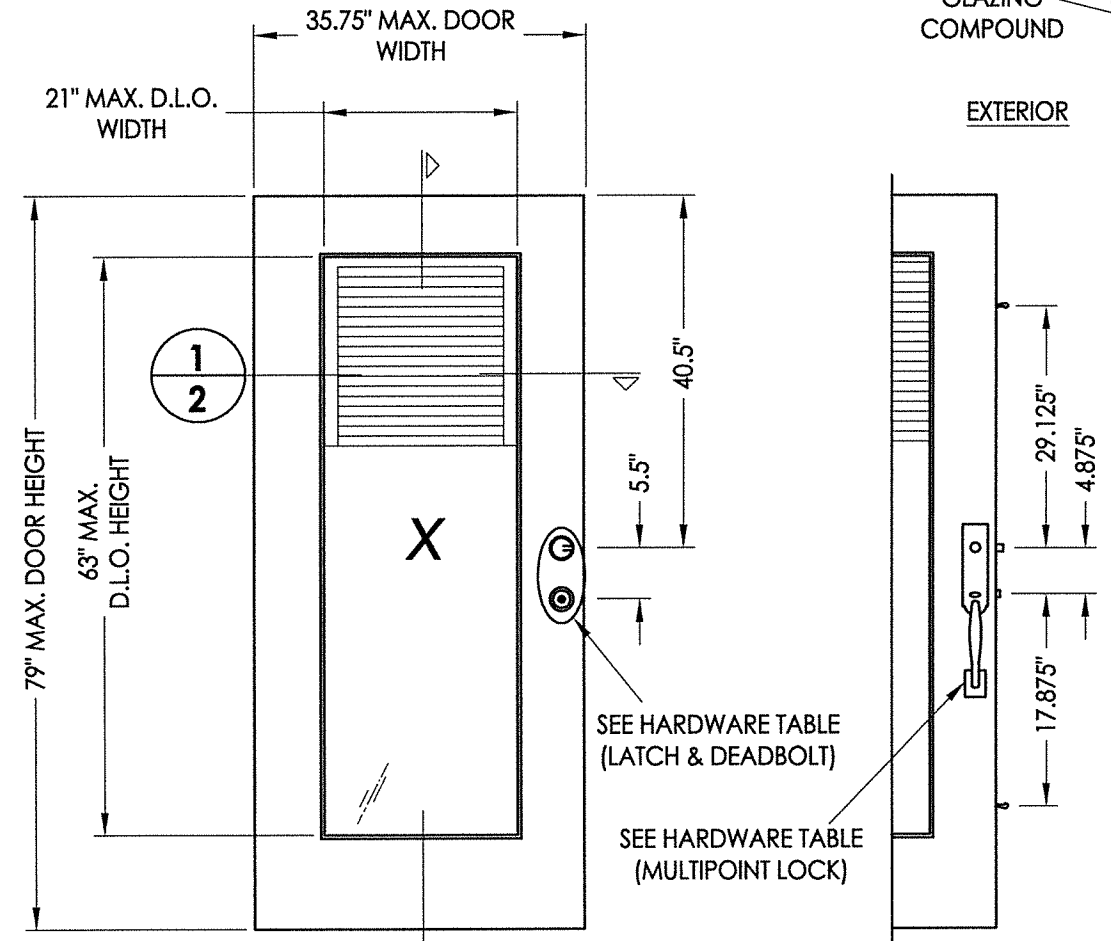


**G2** GLAZING DETAIL  
w/ MICROBLINDS

HARDWARE TABLE		
MANUFACTURER	MODEL	
KWIKSET	LATCH:	SIGNATURE SERIES
	DEADBOLT:	SIGNATURE SERIES (980)
SCHLAGE	LATCH:	F51
	DEADBOLT:	B60N
ROCKWELL	LATCH:	PREMIUM HANDLESET
	DEADBOLT:	PREMIUM DEADBOLT
ROCKWELL	PREMIUM MULTIPOINT HANDLESET w/ DEADLOCKING TONGUE MULTIPOINT LOCK	

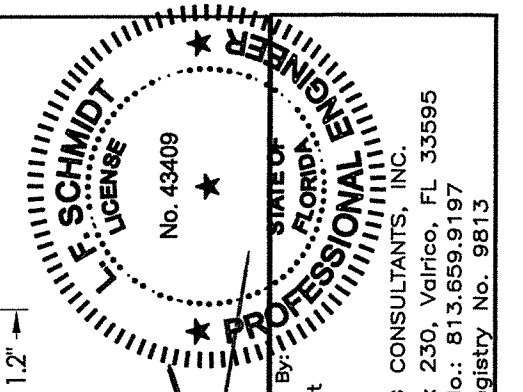


**2**  
**2** VERTICAL CROSS SECTION



**40** FIBERGLASS DOOR PANEL

FIBERGLASS DOOR SKIN: MIN. 0.08\"/>

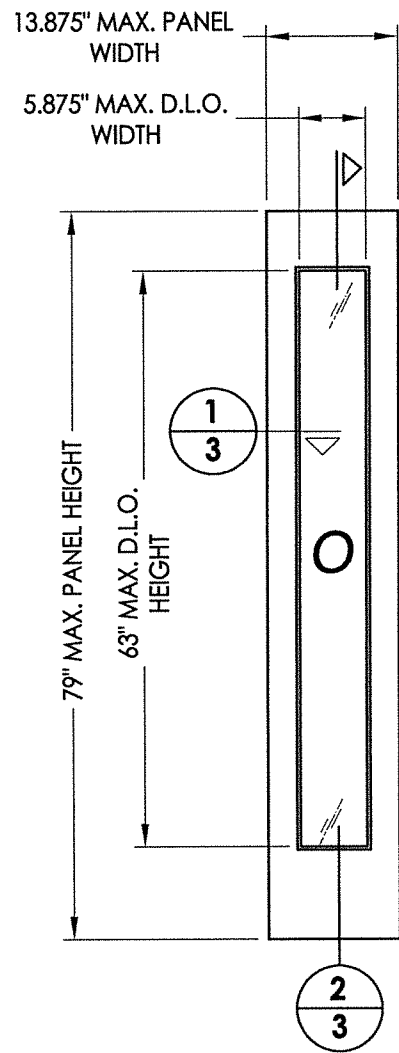


June 7, 2022  
 Documents Prepared By:  
 Lyndon F. Schmidt  
 P.E. No. 43409  
 RW  
 BUILDING CONSULTANTS, INC.  
 P.O. Box 230, Valrico, FL 33595  
 Phone No.: 813.659.9197  
 FBPE Registry No. 9813

PRODUCT:	STEVES & SONS FIBERGLASS DOOR
PART OR ASSEMBLY:	DOOR PANEL DETAILS
NO.	DATE
BY	
REVISIONS	
DATE:	4/20/22
SCALE:	N.T.S.
DWG. BY:	RW
CHK. BY:	LFS
DRAWING NO.:	FL-41479.4
SHEET	2 OF 13

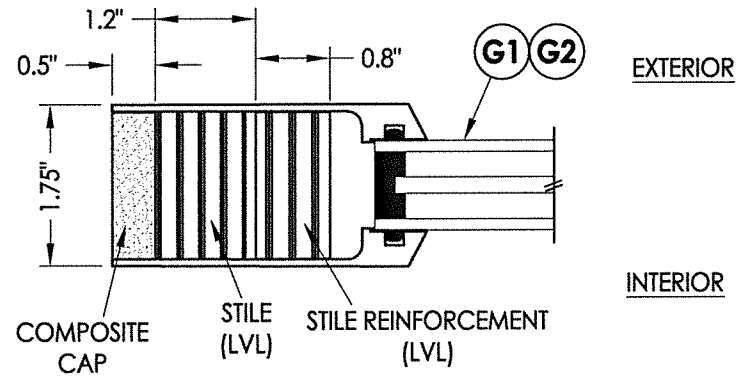
© 2022 R.W. BUILDING CONSULTANTS INC.

Z:\Clients\Steves and Sons - Permanent\A - Florida Product Approvals\FL-41479 LEGACY SERIES\C - Drawings\FL-41479-41479.4.dwg

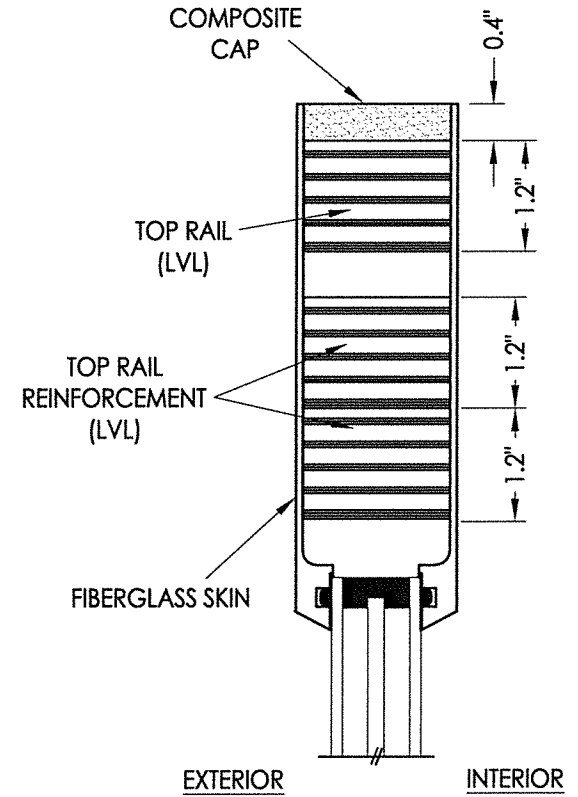


50 FIBERGLASS SIDELITE PANEL

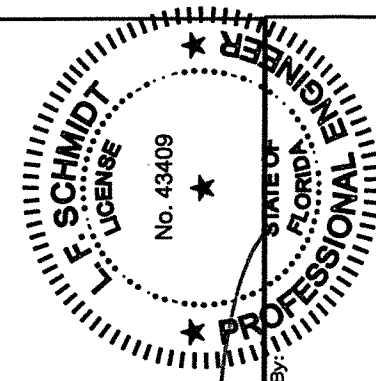
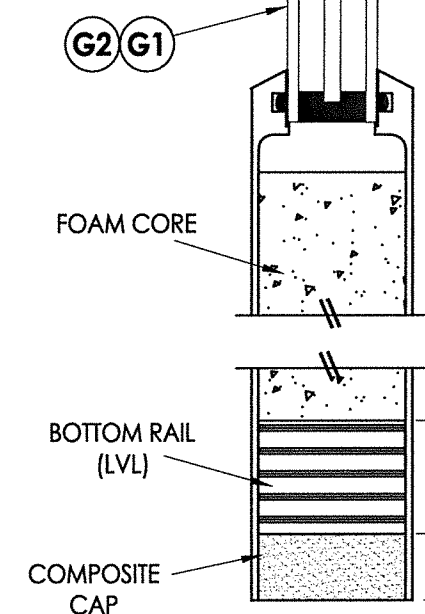
FIBERGLASS SKIN: 0.08" MIN. THK.  
FOAM CORE: POLYURETHANE - 1.9 PCF MIN.)



1  
3 HORIZONTAL CROSS SECTION



2  
3 VERTICAL CROSS SECTION



*LFS*

June 7, 2022

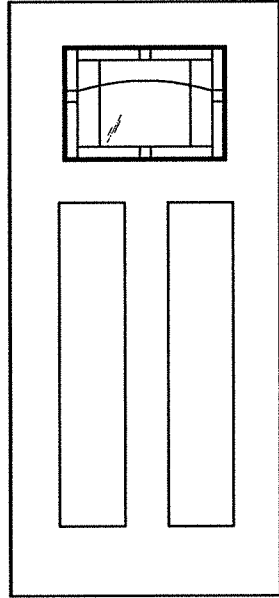
Documents Prepared By:  
Lyndon F. Schmidt  
P.E. No. 43409

R.W. BUILDING CONSULTANTS, INC.  
P.O. Box 230, Vairico, FL 33595  
Phone No.: 813.659.9197  
FBPE Registry No. 9813

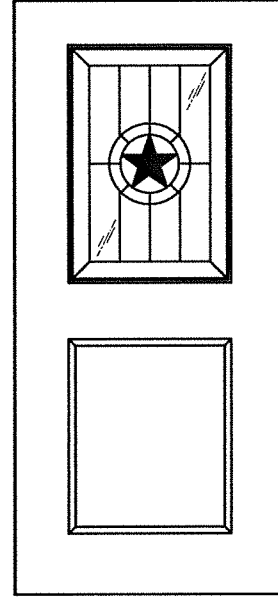
PRODUCT:	STEVES & SONS FIBERGLASS DOOR
PART OR ASSEMBLY:	SIDELITE PANEL DETAILS

REVISIONS	
NO.	DATE

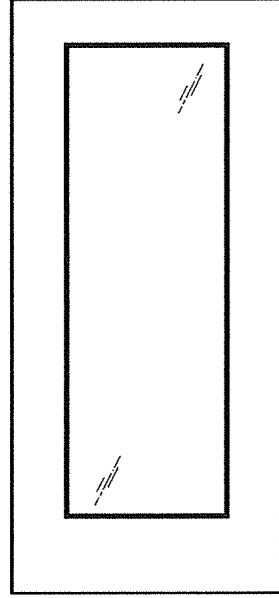
DATE:	4/20/22
SCALE:	N.T.S.
DWG. BY:	RW
CHK. BY:	LFS
DRAWING NO.:	FL-41479.4
SHEET	3 OF 13



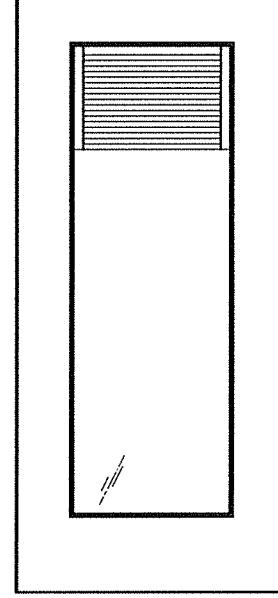
1/4 LITE



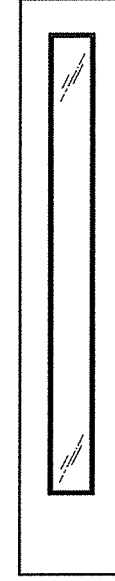
1/2 LITE



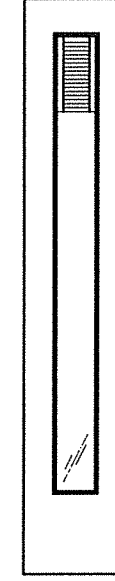
FULL LITE



FULL LITE  
w/  
MICROBLINDS



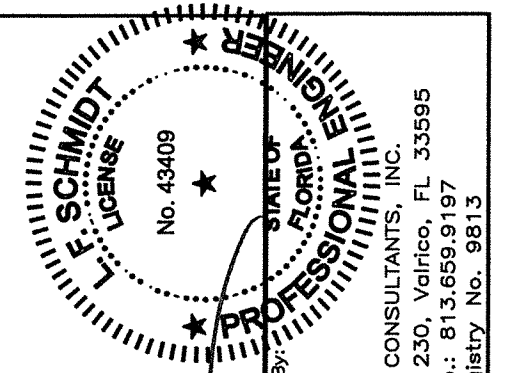
FULL LITE



FULL LITE  
w/  
MICROBLINDS

**LEGACY DECORATIVE & MICROBLIND COLLECTION**

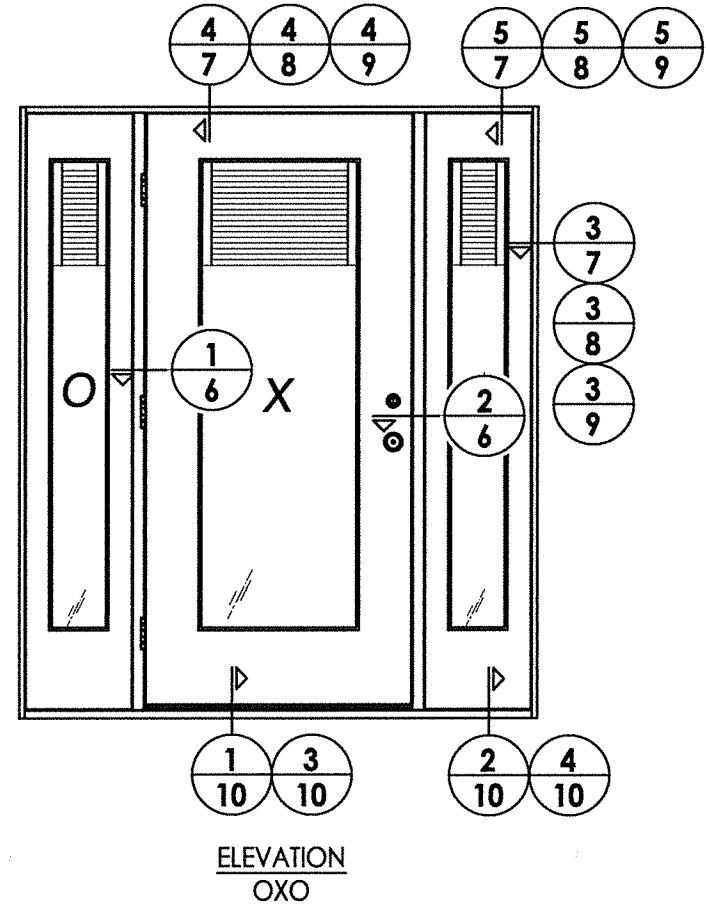
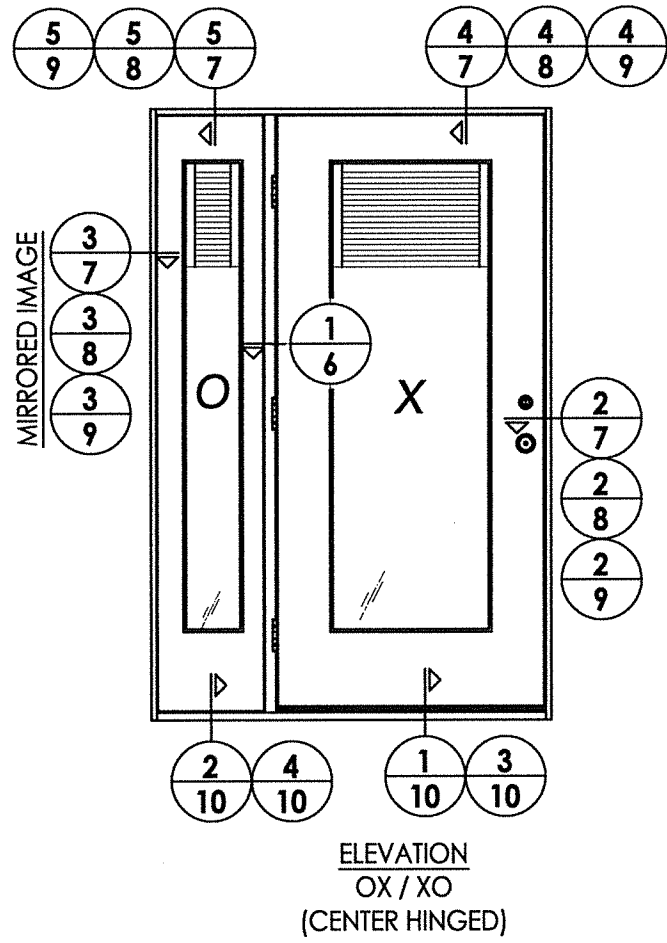
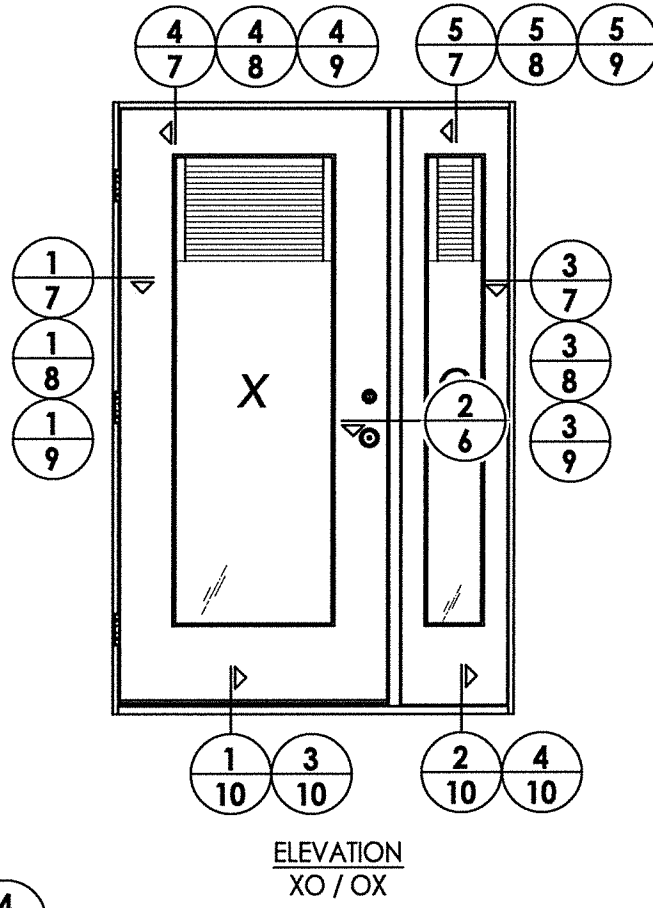
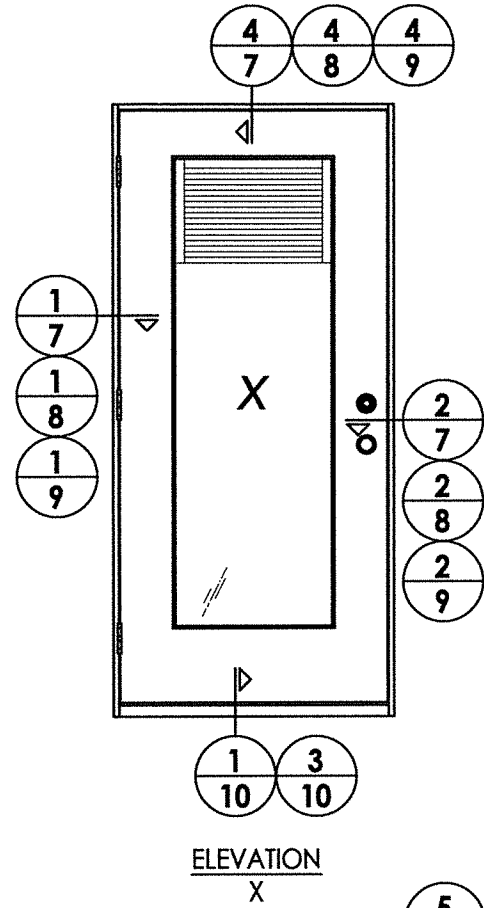
**LEGACY SIDELITE**



June 7, 2022  
*LFS*

Documents Prepared By:  
Lyndon F. Schmidt  
P.E. No. 43409  
*RW*  
BUILDING CONSULTANTS, INC.  
P.O. Box 230, Valrico, FL 33595  
Phone No.: 813.659.9197  
FBPE Registry No. 9813

PRODUCT:		STEVE'S & SONS FIBERGLASS DOOR	
PART OR ASSEMBLY:		DOOR PANLE OPTIONS	
NO.	DATE	BY	REVISIONS
DATE: 4/20/22			
SCALE: N.T.S.			
DWG. BY: RW			
CHK. BY: LFS			
DRAWING NO.: FL-41479.4			
SHEET 4 OF 13			



June 7, 2022

Documents Prepared By:  
Lyndon F. Schmidt  
P.E. No. 43409

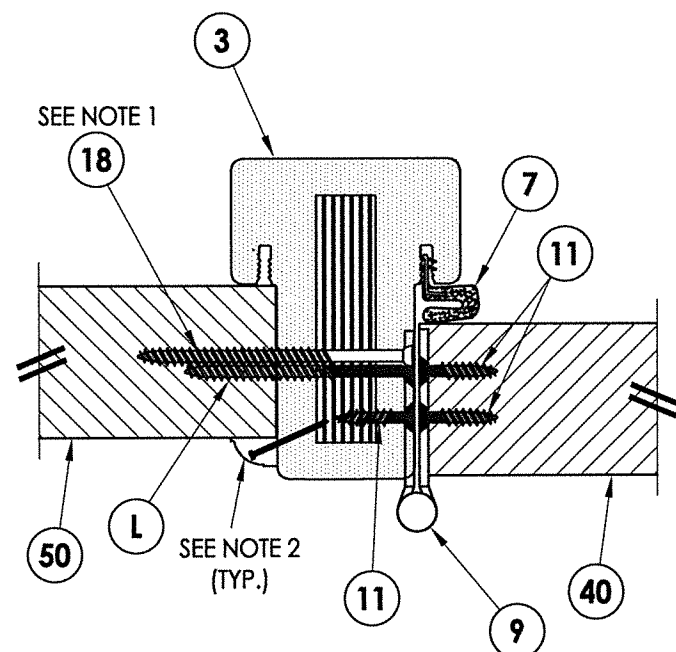
**R.W.** BUILDING CONSULTANTS, INC.  
P.O. Box 230, Valrico, FL 33595  
Phone No.: 813.659.9197  
FBPE Registry No. 9813

**F. SCHMIDT**  
FL LICENSE No. 43409  
STATE OF FLORIDA  
PROFESSIONAL ENGINEER

PRODUCT:	STEVES & SONS FIBERGLASS DOOR
PART OR ASSEMBLY:	ELEVATIONS
NO. DATE	REVISIONS
BY	
DATE:	4/20/22
SCALE:	N.T.S.
DWG. BY:	RW
CHK. BY:	LFS
DRAWING NO.:	FL-41479.4
SHEET	5 of 13

NOTES:

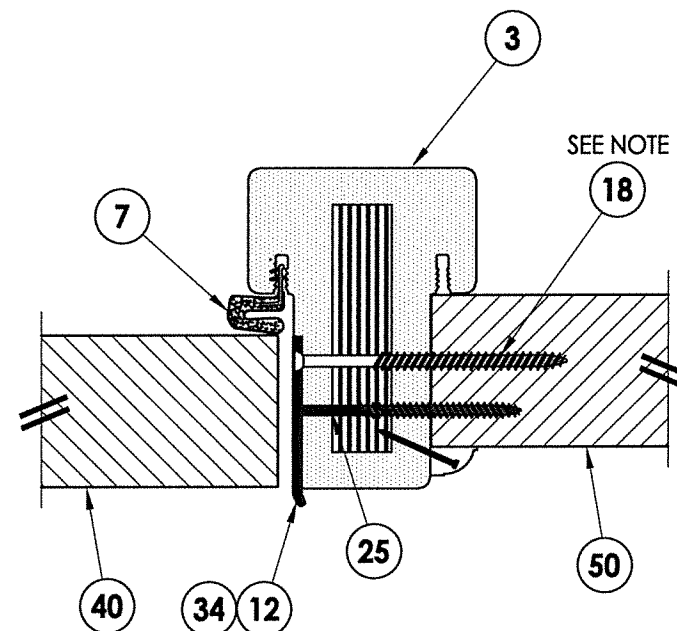
1. Sidelite assembly screws located @ 3" & 19" from each end of mullion (4 total).
2. Moulding secured w/ 16 GA. X 1" brad nails located 1" from ends & 6" o.c. max.



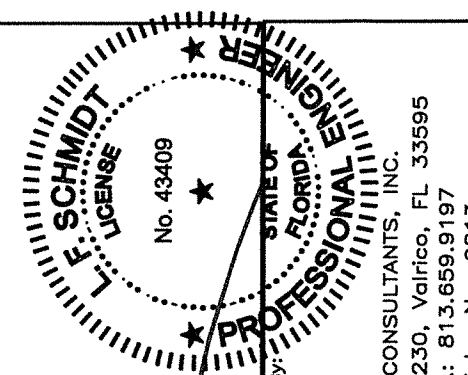
**1**  
**6** HORIZONTAL CROSS SECTION  
Outswing shown (Inswing similar)

INTERIOR

EXTERIOR

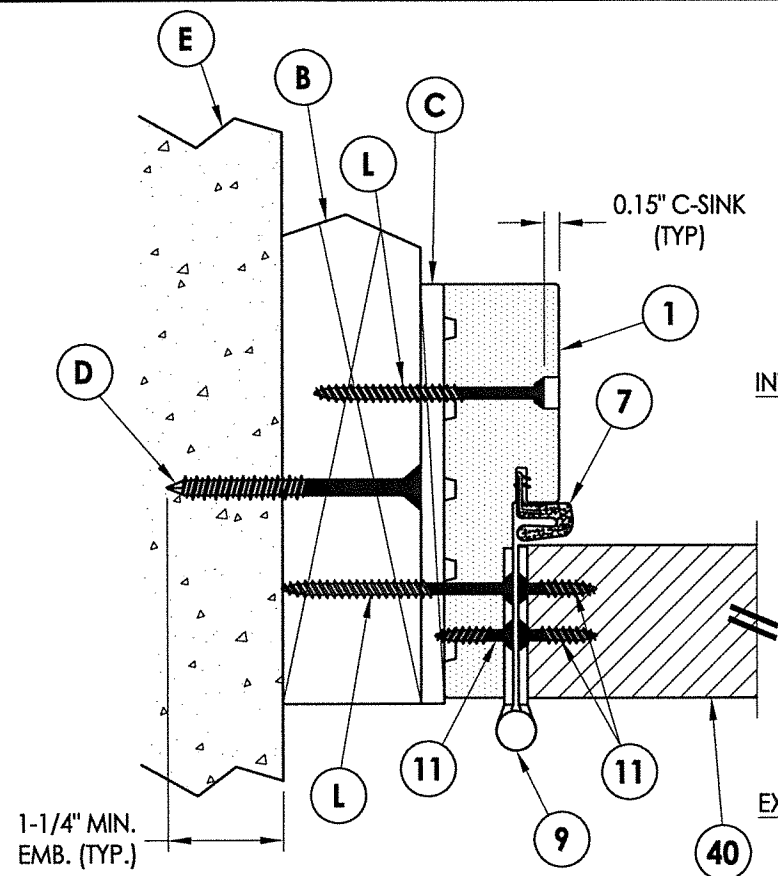


**2**  
**6** HORIZONTAL CROSS SECTION  
Outswing shown (Inswing similar)

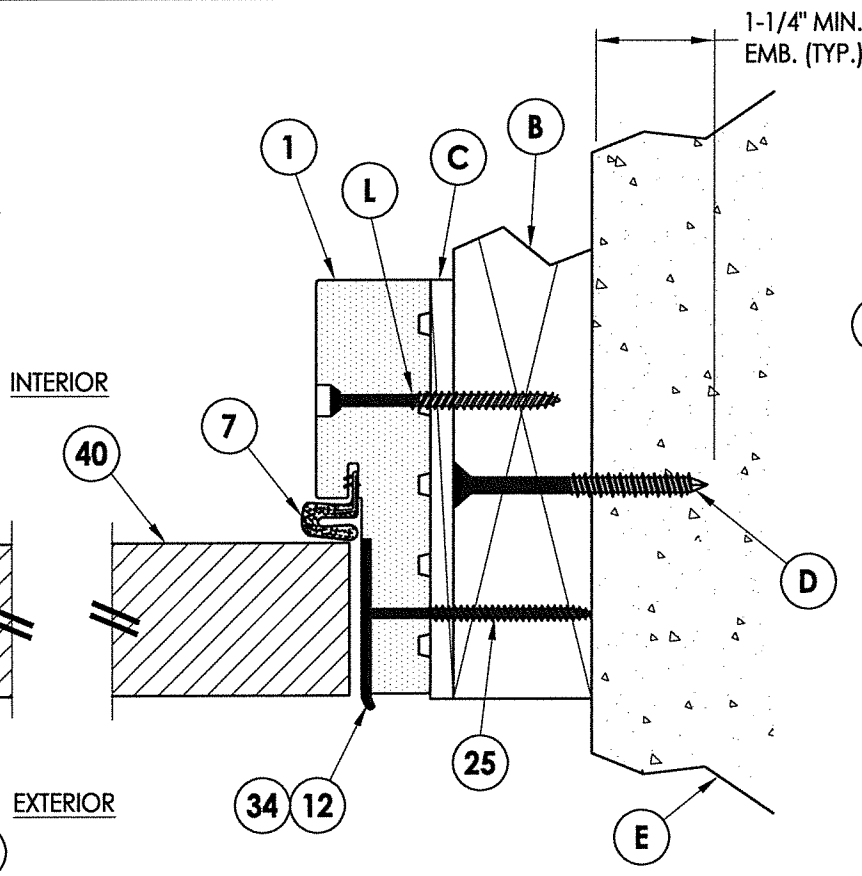


June 7, 2022  
 Documents Prepared By:  
 Lyndon F. Schmidt  
 P.E. No. 43409  
*RW*  
 BUILDING CONSULTANTS, INC.  
 P.O. Box 230, Valrico, FL 33595  
 Phone No.: 813.659.9197  
 FBPE Registry No. 9813

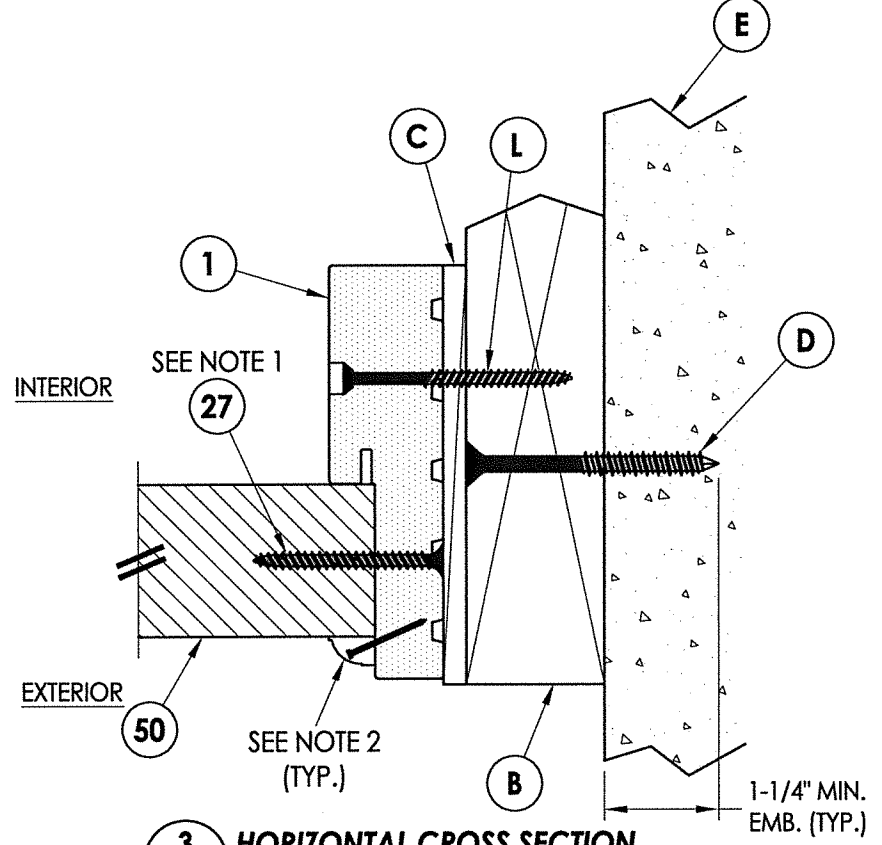
PRODUCT:		STEVES & SONS FIBERGLASS DOOR	
PART OR ASSEMBLY:		HORIZONTAL CROSS SECTIONS	
NO.	DATE	BY	REVISIONS
DATE: 4/20/22			
SCALE: N.T.S.			
DWG. BY: RW			
CHK. BY: LFS			
DRAWING NO.: FL-41479.4			
SHEET 6 OF 13			



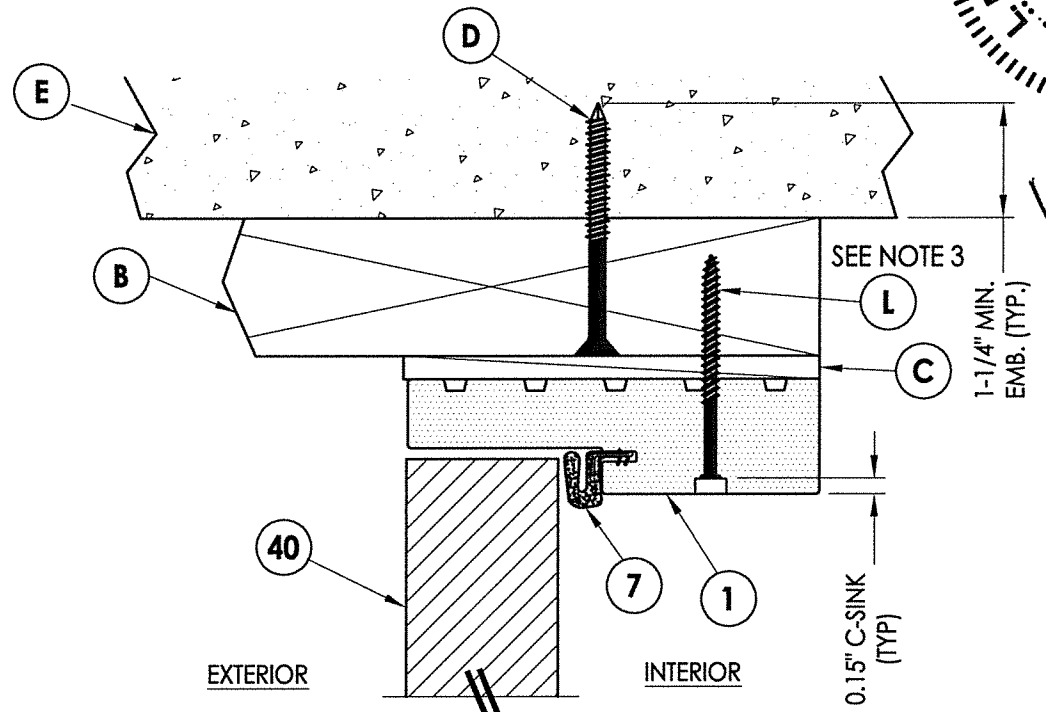
**1**  
**7** **HORIZONTAL CROSS SECTION**  
Shown w/ 2X Buck  
Outswing shown (Inswing similar)



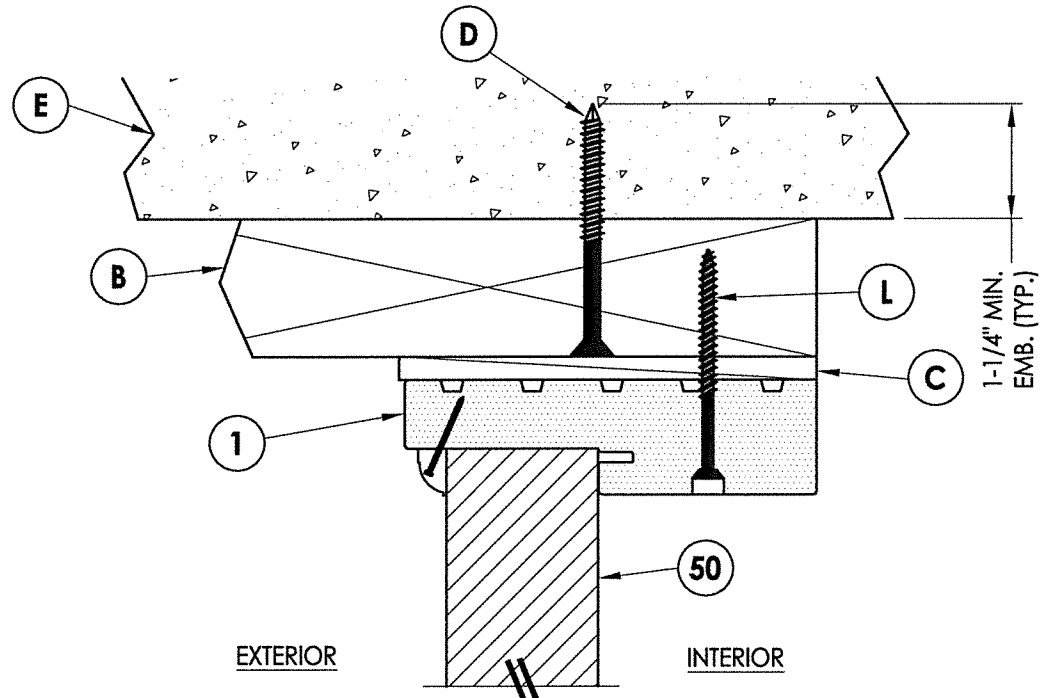
**2**  
**7** **HORIZONTAL CROSS SECTION**  
Shown w/ 2X Buck  
Outswing shown (Inswing similar)



**3**  
**7** **HORIZONTAL CROSS SECTION**  
Shown w/ 2X Buck  
Outswing shown (Inswing similar)

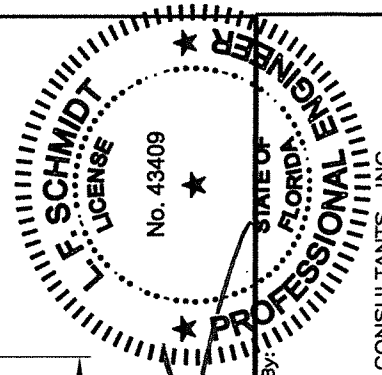


**4**  
**7** **VERTICAL CROSS SECTION**  
Shown w/ 2X Buck  
Outswing shown (Inswing similar)



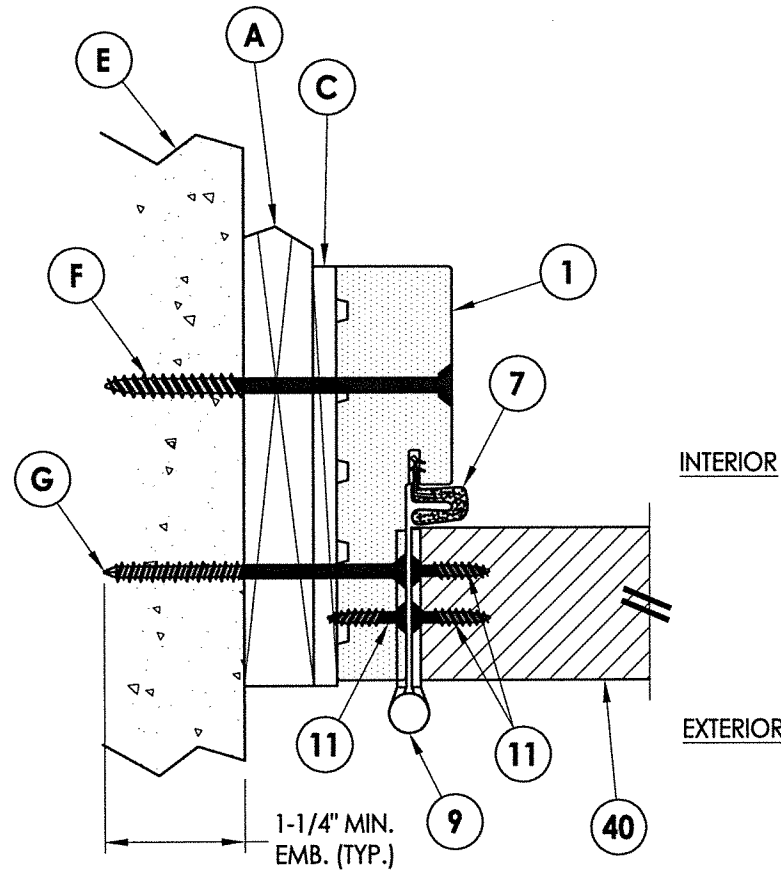
**5**  
**7** **VERTICAL CROSS SECTION**  
Shown w/ 2X Buck  
Outswing shown (Inswing similar)

**NOTES:**  
1. Sidelite assembly screws located 4" from each end plus 4 more equally spaced along jamb (6 total).  
2. Moulding secured w/ 16 GA. X 1" brad nails located 1" from ends & 6" o.c. max.  
3. Anchor @ head is not required for single door (X) only.

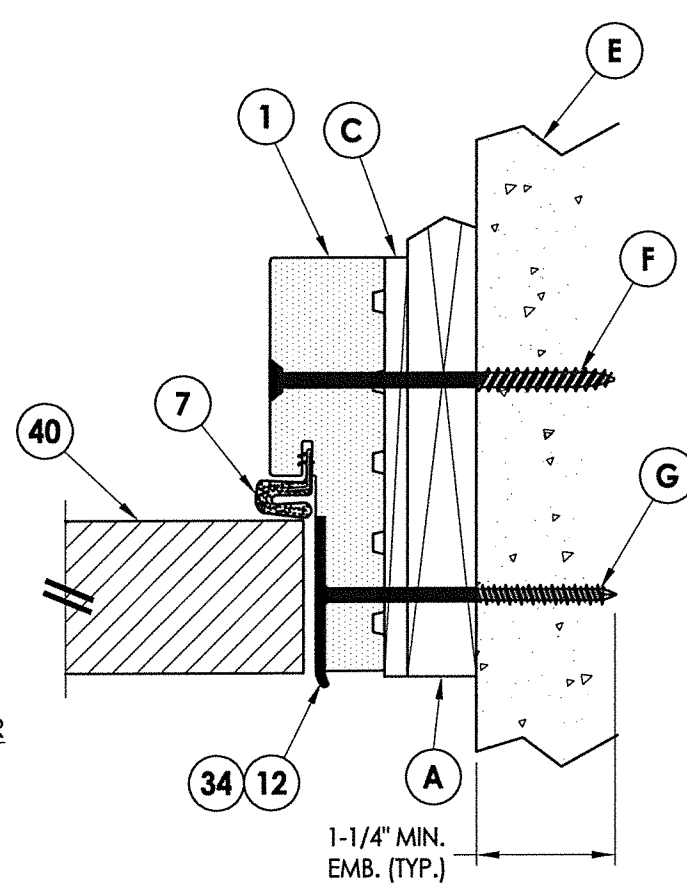


June 7, 2022  
Documents Prepared By:  
Lyndon F. Schmidt  
P.E. No. 43409  
RW BUILDING CONSULTANTS, INC.  
P.O. Box 230, Valrico, FL 33595  
Phone No.: 813.659.9197  
FBPE Registry No. 9813

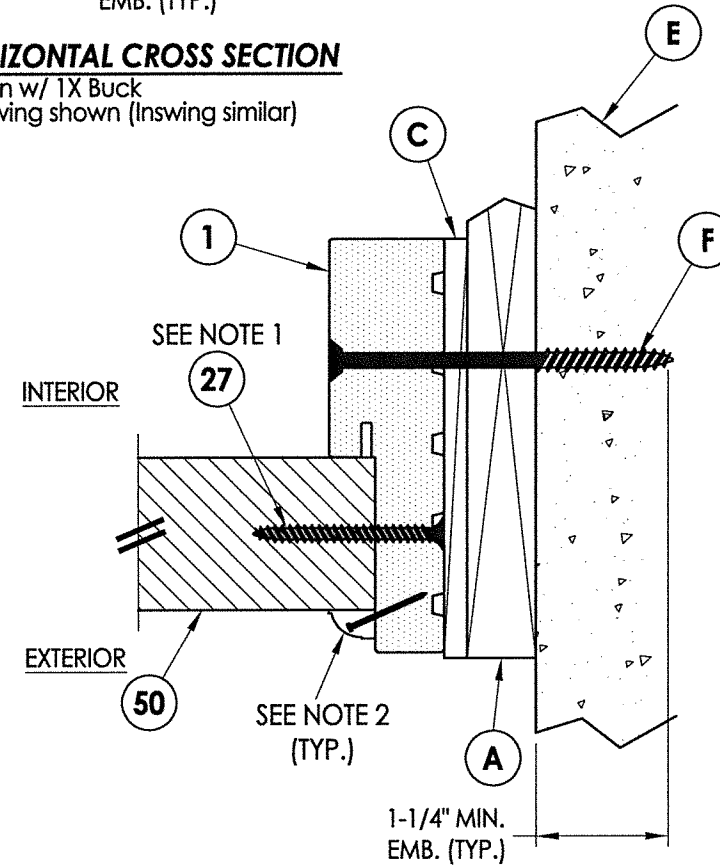
PRODUCT:		STEVES & SONS FIBERGLASS DOOR	
PART OR ASSEMBLY:		HORIZONTAL & VERTICAL CROSS SECTIONS (2X BUCK)	
NO.	DATE	BY	REVISIONS
DATE: 4/20/22		SCALE: N.T.S.	
DWG. BY: RW		CHK. BY: LFS	
DRAWING NO.: FL-41479.4		SHEET 7 OF 13	



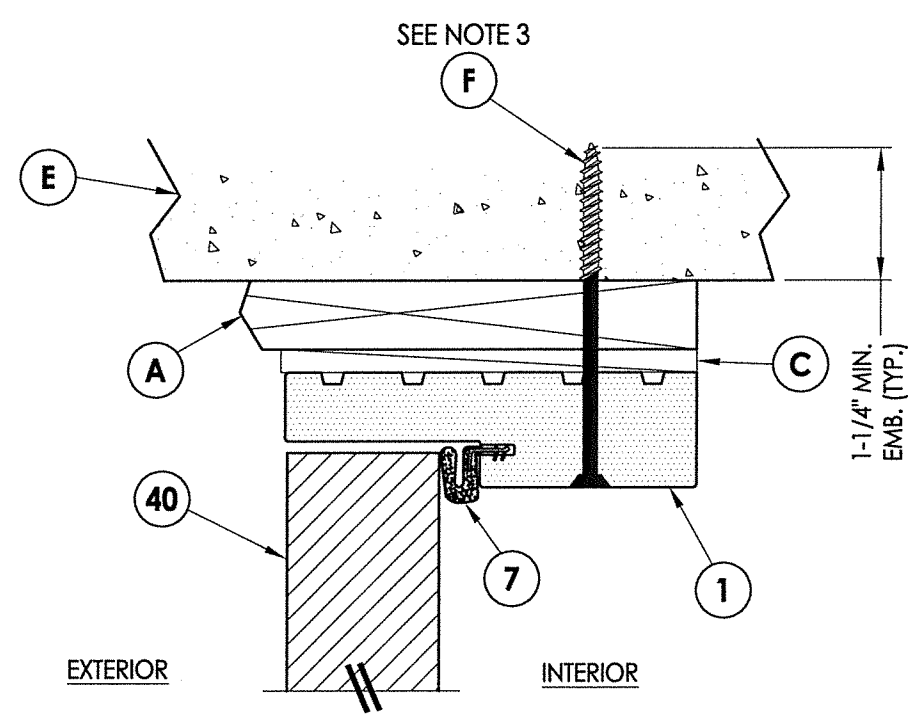
**1 HORIZONTAL CROSS SECTION**  
**8** Shown w/ 1X Buck  
 Outswing shown (Inswing similar)



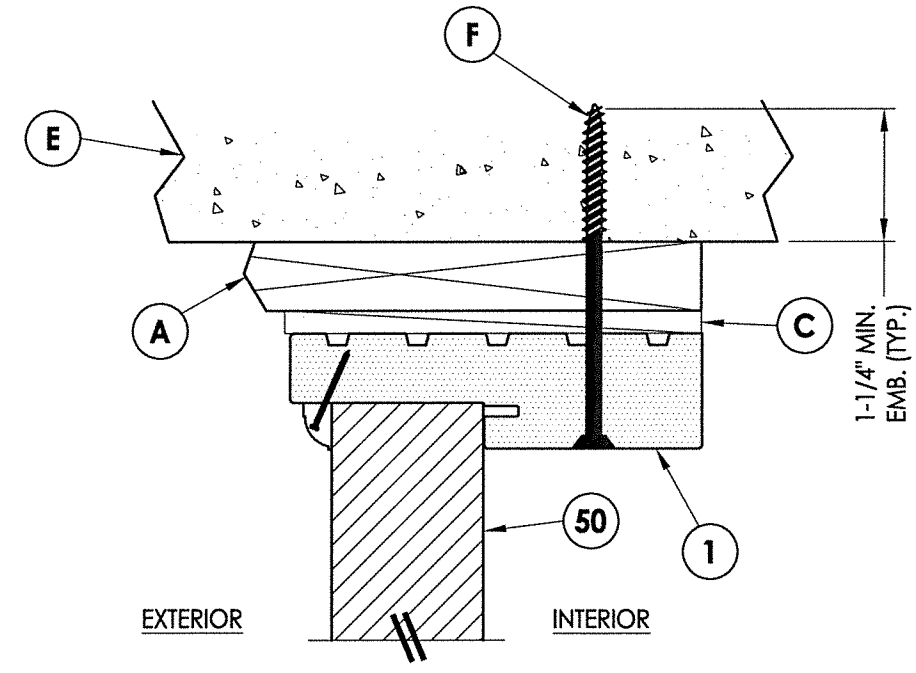
**2 HORIZONTAL CROSS SECTION**  
**8** Shown w/ 1X Buck  
 Outswing shown (Inswing similar)



**3 HORIZONTAL CROSS SECTION**  
**8** Shown w/ 1X Buck  
 Outswing shown (Inswing similar)

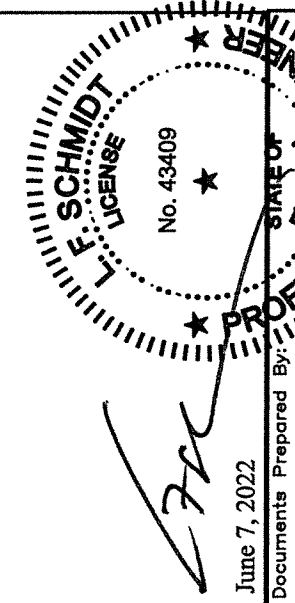


**4 VERTICAL CROSS SECTION**  
**8** Shown w/ 1X Buck  
 Outswing shown (Inswing similar)



**5 VERTICAL CROSS SECTION**  
**8** Shown w/ 1X Buck  
 Outswing shown (Inswing similar)

- NOTES:  
 1. Sidelite assembly screws located 4" from each end plus 4 more equally spaced along jamb (6 total).  
 2. Moulding secured w/ 16 GA. X 1" brad nails located 1" from ends & 6" o.c. max.  
 3. Anchor @ head is not required for single door (X) only.



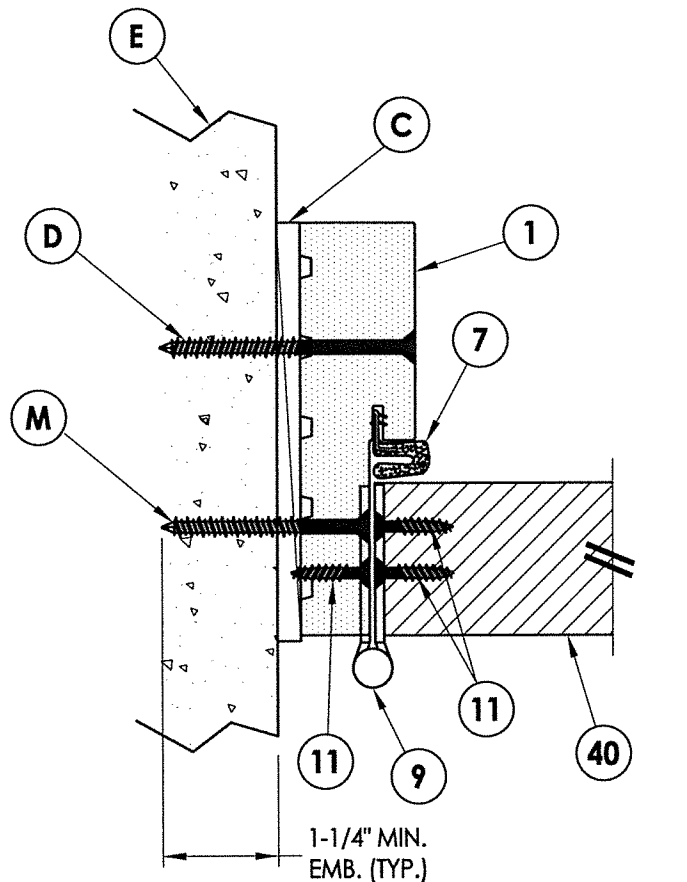
June 7, 2022  
 Documents Prepared By:  
 Lyndon F. Schmidt  
 P.E. No. 43409  
 R.W.  
 BUILDING CONSULTANTS, INC.  
 P.O. Box 230, Valrico, FL 33595  
 Phone No.: 813.659.9197  
 FBPE Registry No. 9813

PRODUCT:	STEVES & SONS FIBERGLASS DOOR
PART OR ASSEMBLY:	HORIZONTAL & VERTICAL CROSS SECTIONS (1X BUCK)

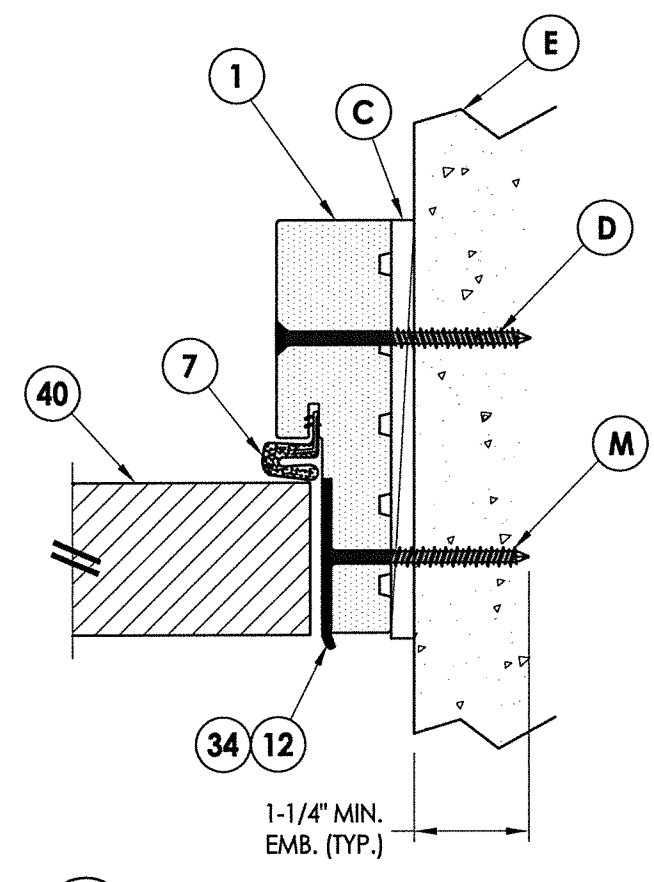
NO.	DATE	BY	REVISIONS

DATE:	4/20/22
SCALE:	N.T.S.
DWG. BY:	RW
CHK. BY:	LFS
DRAWING NO.:	FL-41479.4
SHEET	8 OF 13

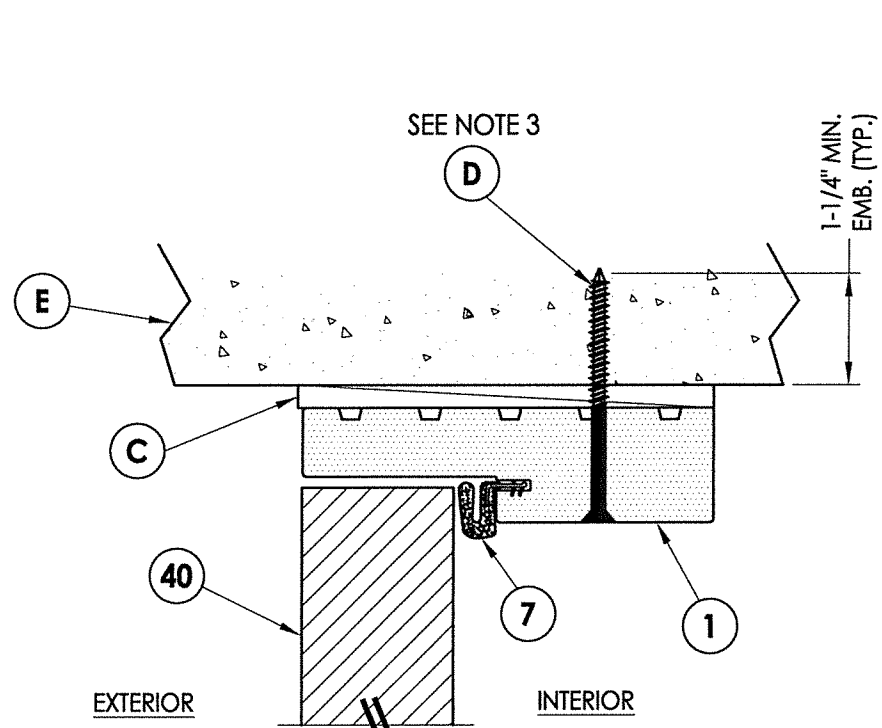




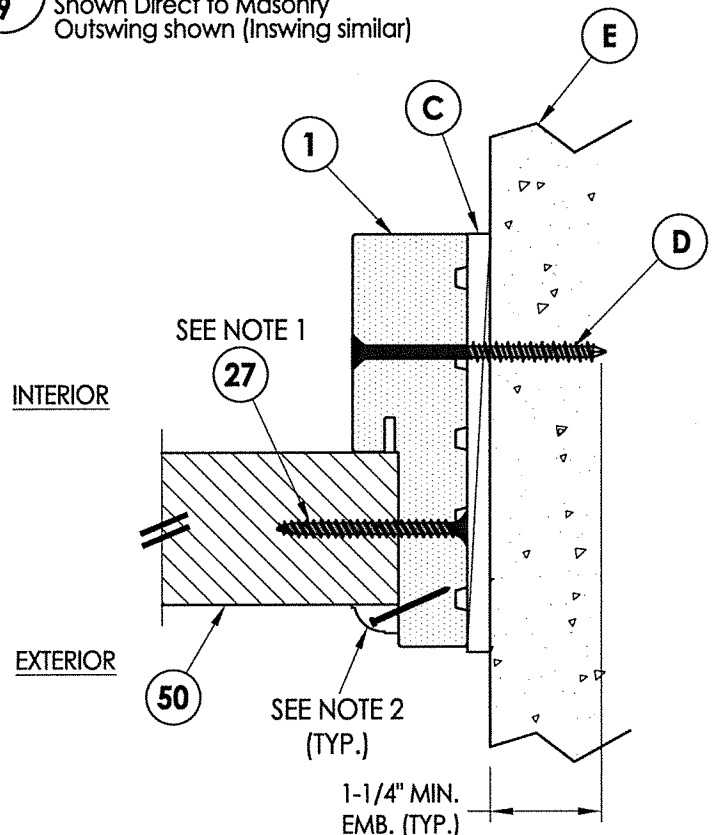
**1 HORIZONTAL CROSS SECTION**  
**9** Shown Direct to Masonry  
 Outswing shown (Inswing similar)



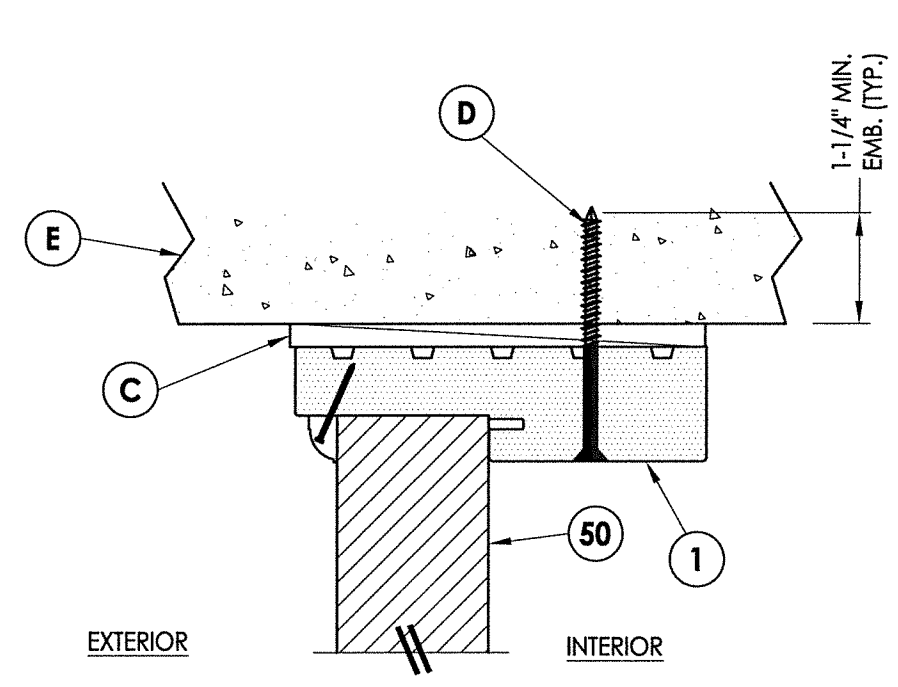
**2 HORIZONTAL CROSS SECTION**  
**9** Shown Direct to Masonry  
 Outswing shown (Inswing similar)



**4 VERTICAL CROSS SECTION**  
**9** Shown Direct to Masonry  
 Outswing shown (Inswing similar)



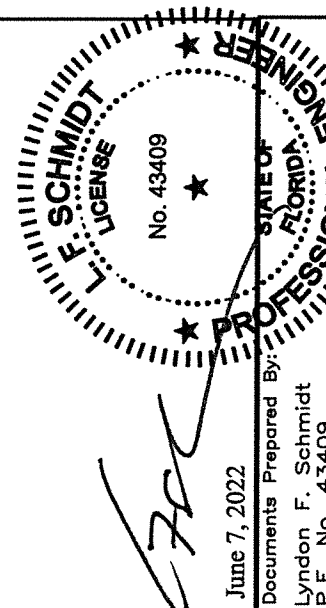
**3 HORIZONTAL CROSS SECTION**  
**9** Shown Direct to Masonry  
 Outswing shown (Inswing similar)



**5 VERTICAL CROSS SECTION**  
**9** Shown Direct to Masonry  
 Outswing shown (Inswing similar)

**NOTES:**

1. Sidelite assembly screws located 4" from each end plus 4 more equally spaced along jamb (6 total).
2. Moulding secured w/ 16 GA. X 1" brad nails located 1" from ends & 6" o.c. max.
3. Anchor @ head is not required for single door (X) only.



June 7, 2022  
 Documents Prepared By:  
 Lyndon F. Schmidt  
 P.E. No. 43409

**PROFESSIONAL ENGINEER**  
 F. SCHMIDT  
 LICENSE No. 43409  
 STATE OF FLORIDA  
 RW BUILDING CONSULTANTS, INC.  
 P.O. Box 230, Valrico, FL 33595  
 Phone No.: 813.659.9197  
 FBPE Registry No. 9813

PRODUCT: STEVES & SONS FIBERGLASS DOOR  
 PART OR ASSEMBLY: HORIZONTAL & VERTICAL CROSS SECTIONS (DIRECT TO MASONRY)

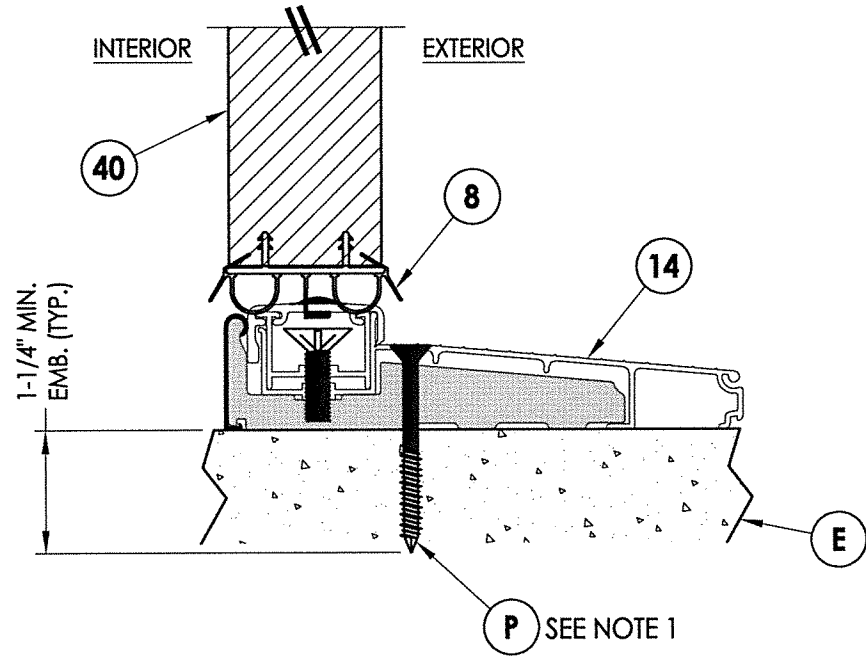
NO.	DATE	BY

REVISIONS

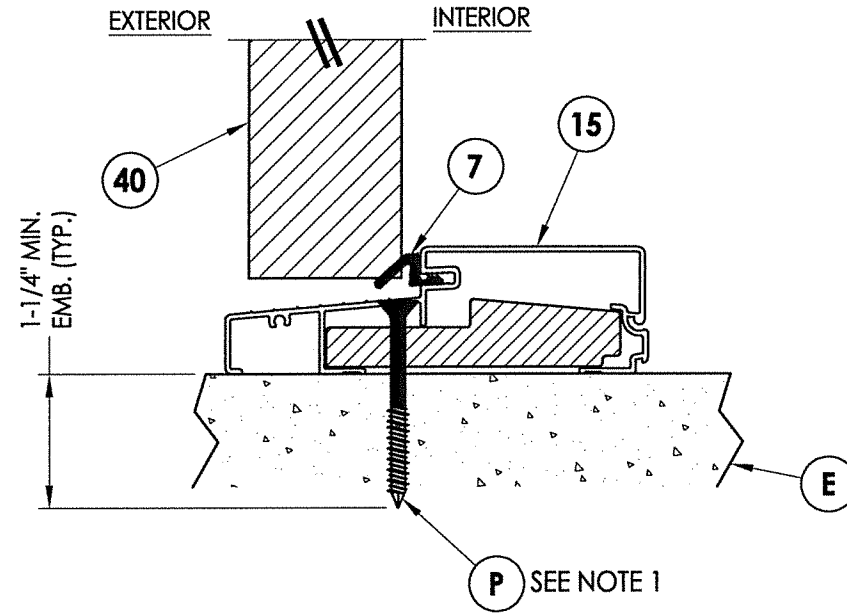
DATE: 4/20/22  
 SCALE: N.T.S.  
 DWG. BY: RW  
 CHK. BY: LFS  
 DRAWING NO.: FL-41479.4  
 SHEET 9 OF 13

Z:\Clients\Steves and Sons - Permanent\A - Florida Product Approvals\FL-41479 LEGACY SERIES\C - Drawings\FL-41479 (2020)\FL-41479.4.dwg

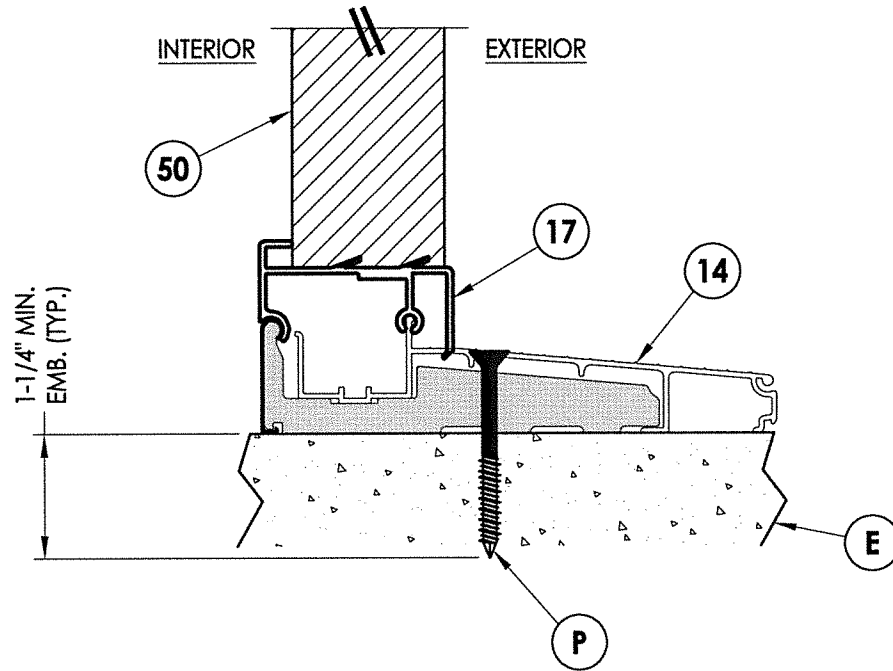
Note:  
1. Anchor @ sill is not required for single door (X) only.



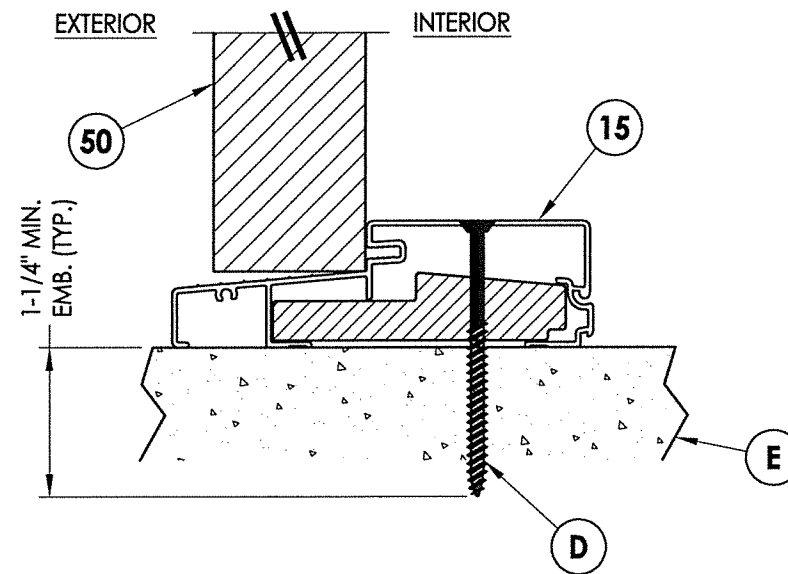
1 **VERTICAL CROSS SECTION**  
10 Inswing Threshold



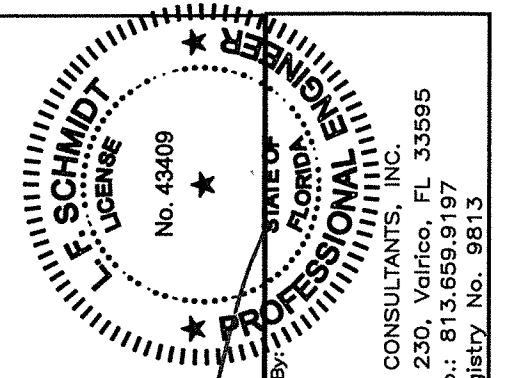
2 **VERTICAL CROSS SECTION**  
10 Outswing Threshold



3 **VERTICAL CROSS SECTION**  
10 Inswing Threshold



4 **VERTICAL CROSS SECTION**  
10 Outswing Threshold

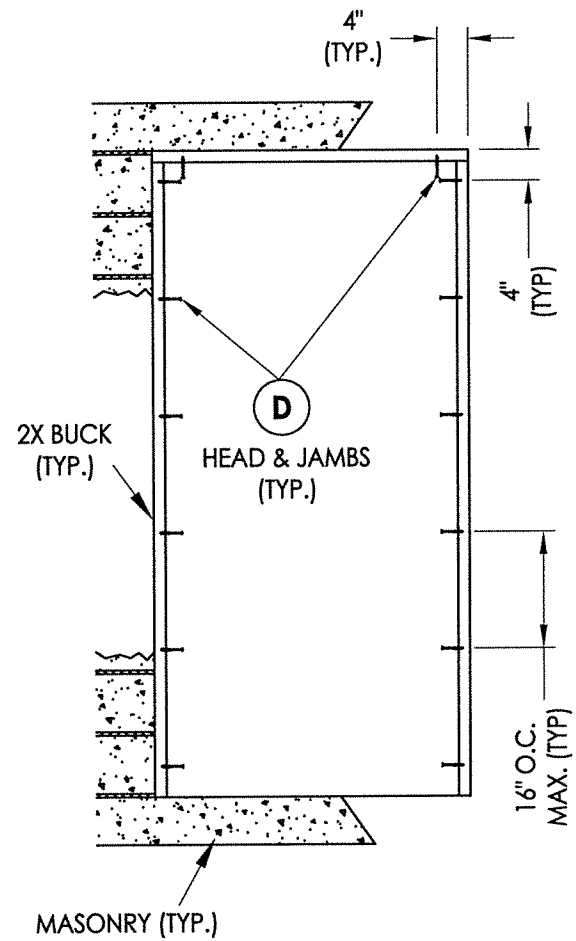


June 7, 2022  
Documents Prepared By:  
*RW*  
Lyndon F. Schmidt  
P.E. No. 43409

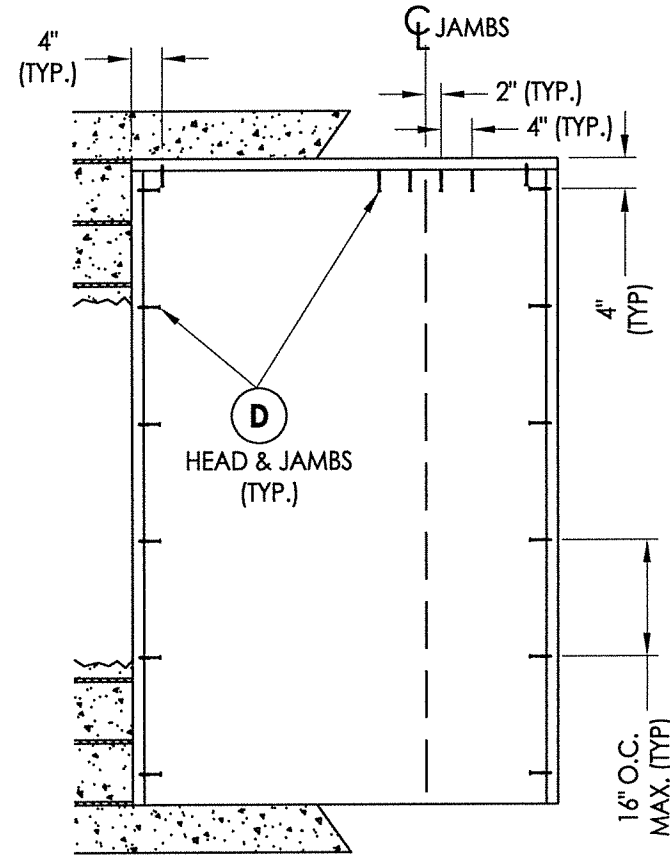
**R.W.** BUILDING CONSULTANTS, INC.  
P.O. Box 230, Valrico, FL 33595  
Phone No.: 813.659.9197  
FBPE Registry No. 9813

PRODUCT: STEVES & SONS FIBERGLASS DOOR		PART OR ASSEMBLY: VERTICAL CROSS SECTIONS	
		NO.	DATE
		BY	
REVISIONS			
DATE: 4/20/22			
SCALE: N.T.S.			
DWG. BY: RW			
CHK. BY: LFS			
DRAWING NO.: FL-41479.4			
SHEET 10 OF 13			

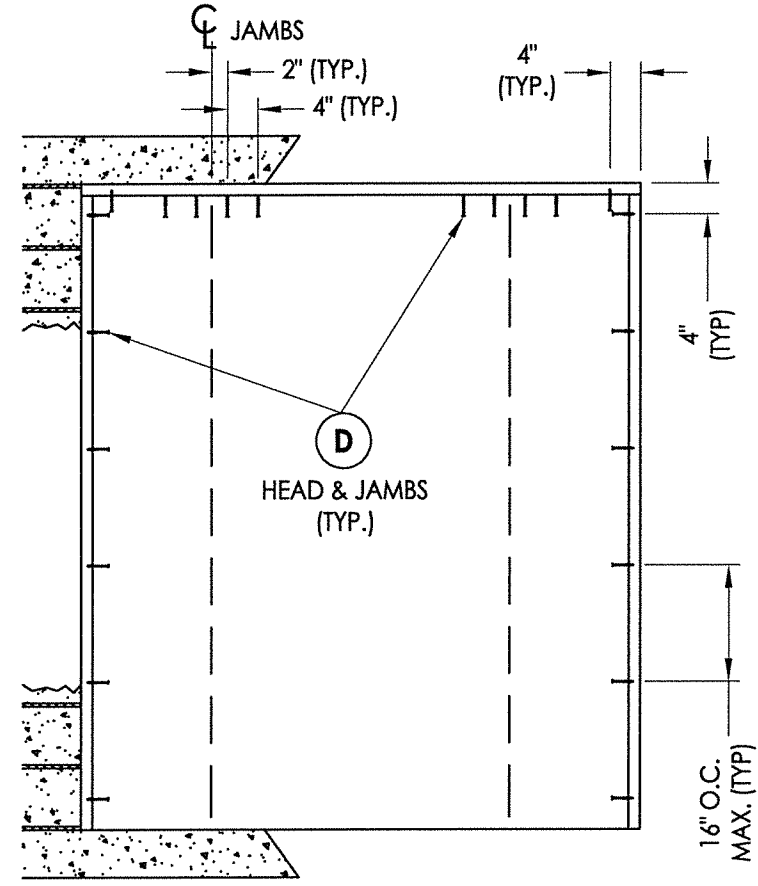
Z:\Clients\Steves and Sons - Permanent\A - Florida Product Approvals\FL-41479 LEGACY SERIES\C - Drawings\FL-41479 (2020)\FL-41479.4.dwg



X

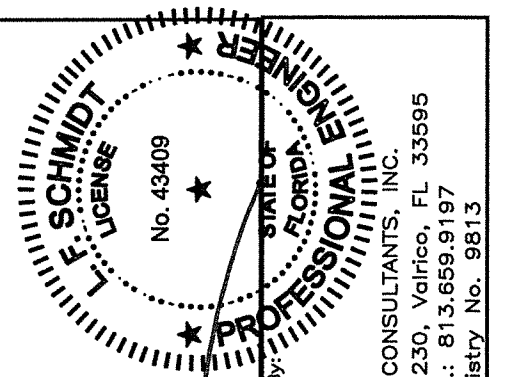


XO, OX



OXO

**2X BUCK ANCHORING**



*LFS*

June 7, 2022

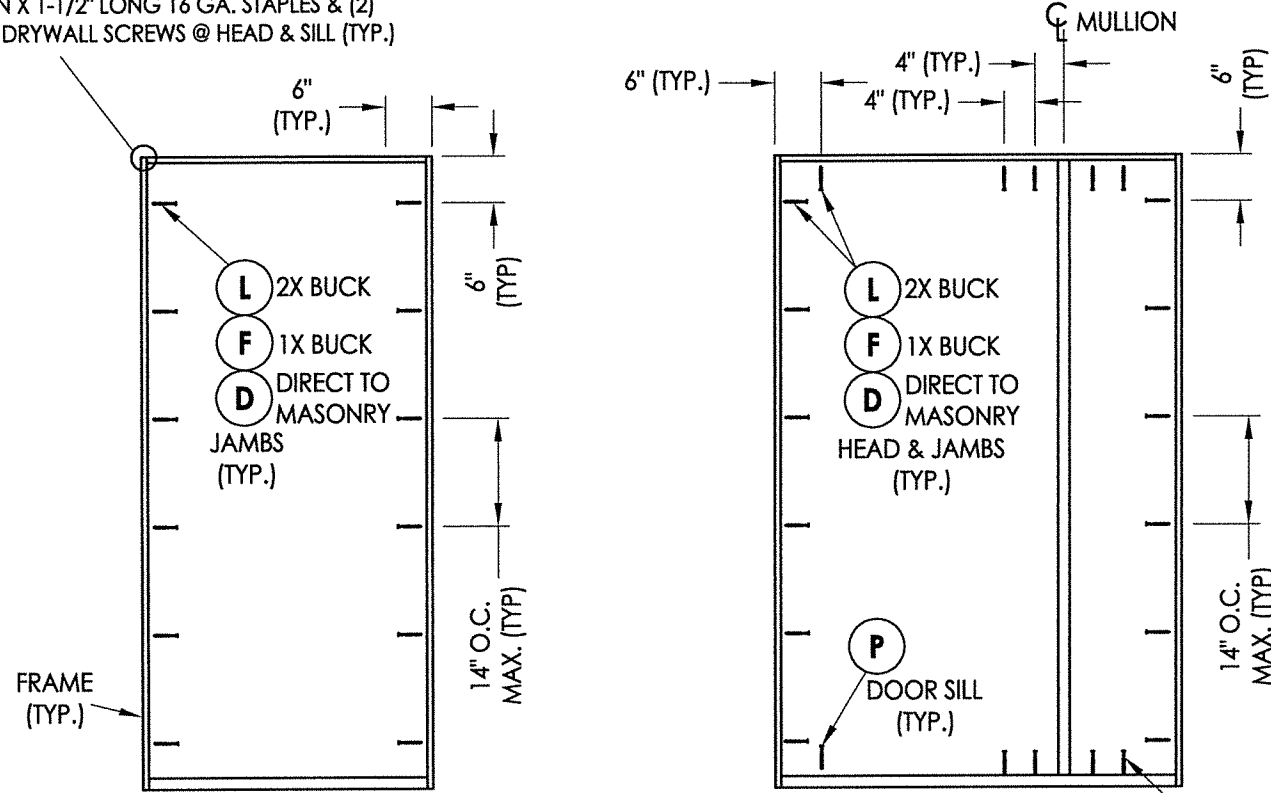
Documents Prepared By:  
Lyndon F. Schmidt  
P.E. No. 43409

*RW*

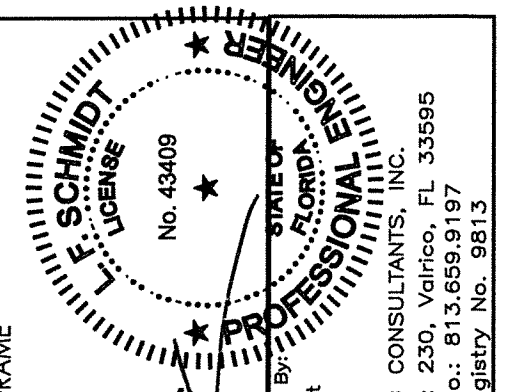
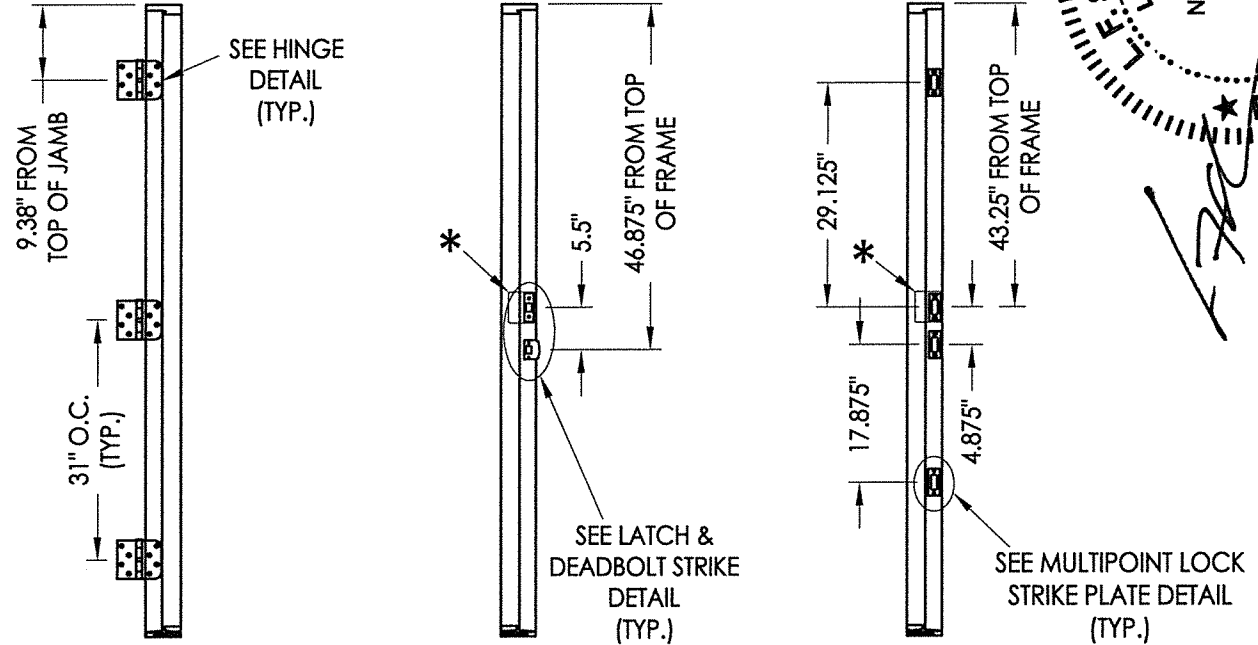
BUILDING CONSULTANTS, INC.  
P.O. Box 230, Valrico, FL 33595  
Phone No.: 813.659.9197  
FBPE Registry No. 9813

PRODUCT: STEVES & SONS FIBERGLASS DOOR	
PART OR ASSEMBLY: BUCK ANCHORING	
NO.	DATE
REVISIONS	
DATE:	4/20/22
SCALE:	N.T.S.
DWG. BY:	RW
CHK. BY:	LFS
DRAWING NO.:	FL-41479.4
SHEET	11 OF 13

FRAME CORNERS ATTACHED w/ (3) 7/16" CROWN X 1-1/2" LONG 16 GA. STAPLES & (2) #7 X 2" DRYWALL SCREWS @ HEAD & SILL (TYP.)



\* 3.5" X 4" 20 GA. STEEL PLATE ATTACHED TO BACK OF LOCK JAMB w/ (4) 1" CROWN X 5/8" LONG 16 GA. STAPLES

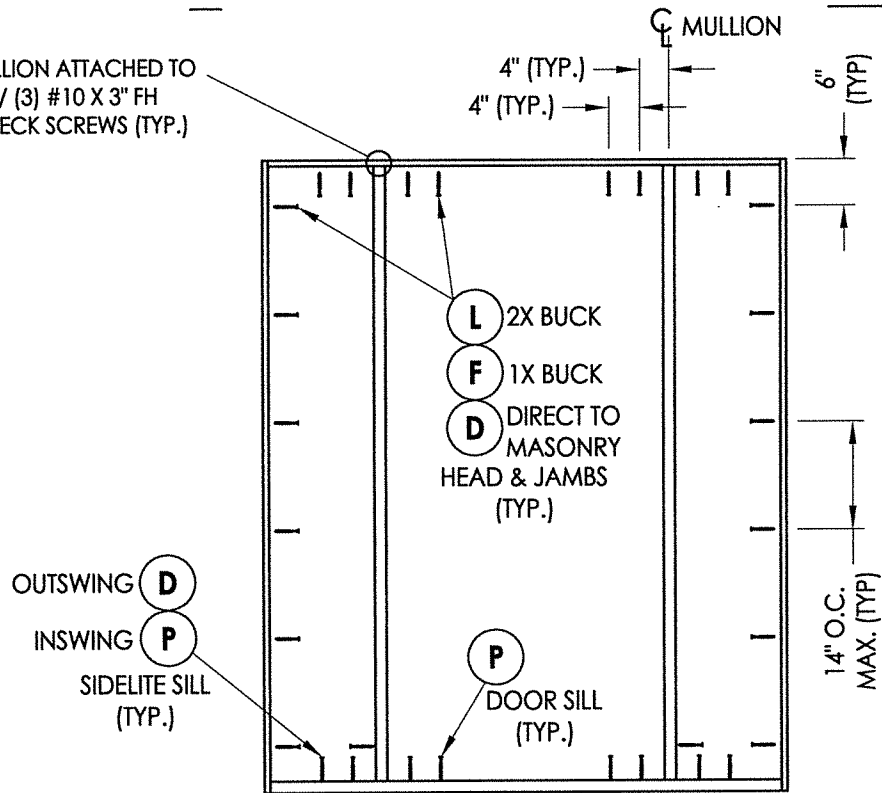


June 7, 2022  
 Documents Prepared By:  
 Lyndon F. Schmidt  
 P.E. No. 43409  
 R.W.  
 BUILDING CONSULTANTS, INC.  
 P.O. Box 230, Valrico, FL 33595  
 Phone No.: 813.659.9197  
 FBPE Registry No. 9813

X

XO, OX

INTEGRAL MULLION ATTACHED TO HEAD & SILL w/ (3) #10 X 3" FH COMPOSITE DECK SCREWS (TYP.)



D OUTSWING  
 P INSWING  
 SIDELITE SILL (TYP.)

OUTSWING D  
 INSWING P  
 SIDELITE SILL (TYP.)

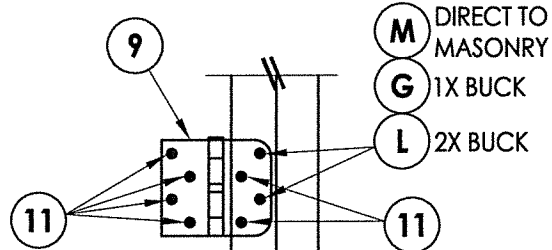
OXO

FRAME ANCHORING

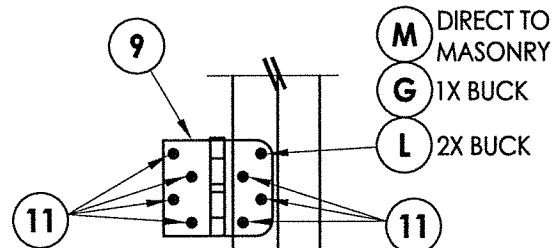
HINGE JAMB/MULLION

STRIKE JAMB/MULLION LATCH & DEADBOLT

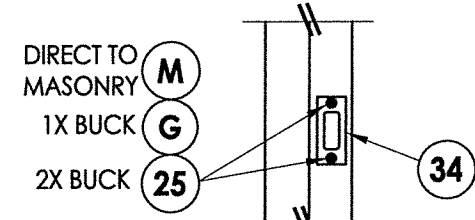
STRIKE JAMB/MULLION MULTIPOINT LOCK



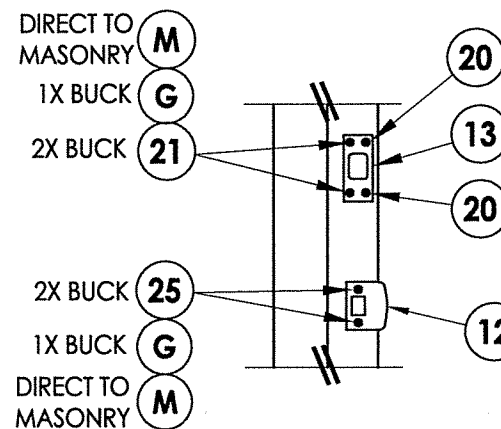
HINGE DETAIL INSWING



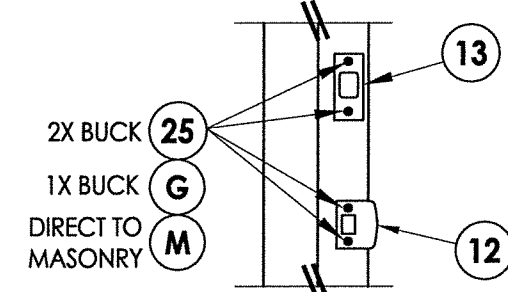
HINGE DETAIL OUTSWING



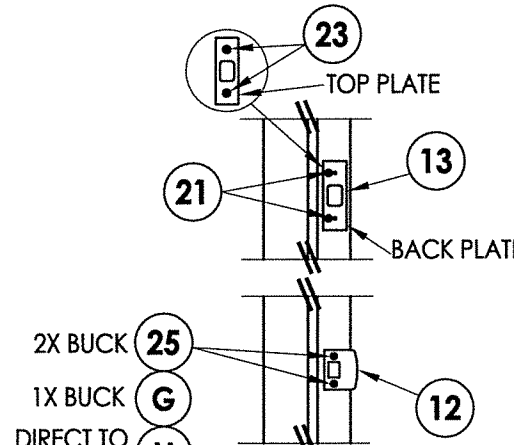
ROCKWELL MULTIPOINT LOCK HARDWARE



KWIKSET HARDWARE



ROCKWELL HARDWARE



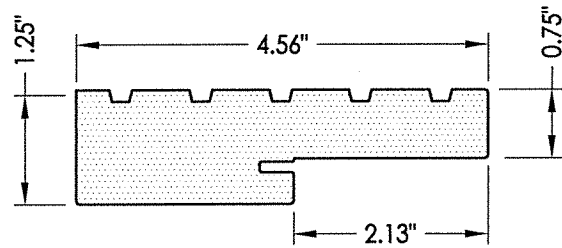
SCHLAGE HARDWARE

HARDWARE DETAILS

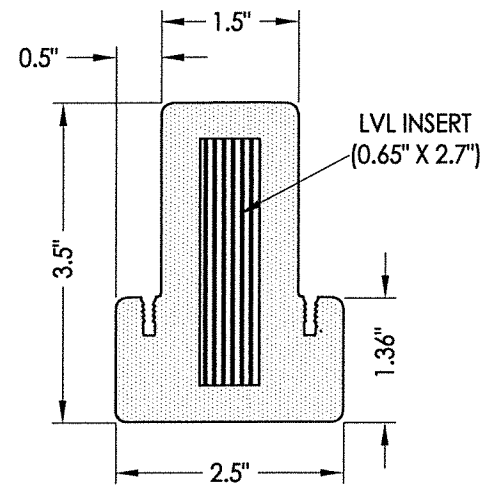
PRODUCT:	STEVES & SONS FIBERGLASS DOOR
PART OR ASSEMBLY:	FRAME ANCHORING & HARDWARE DETAILS
NO.	DATE
BY	
DATE:	4/20/22
SCALE:	N.T.S.
DWG. BY:	RW
CHK. BY:	LFS
DRAWING NO.:	FL-41479.4
SHEET	12 OF 13

Z:\Clients\Steves and Sons - Permanent\A - Florida Product Approvals\FL-41479 LEGACY SERIES\C - Drawings\FL-41479 (2020)\FL-41479.4.dwg

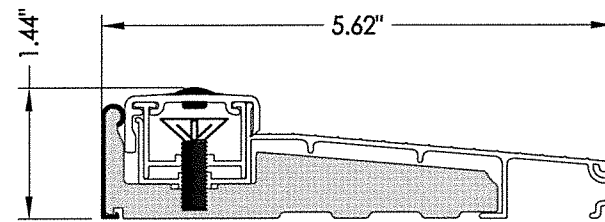
BILL OF MATERIALS		
ITEM #	DESCRIPTION	MATERIAL
A	1X BUCK (G >= 0.42)	WOOD
B	2X BUCK (G >= 0.42)	WOOD
C	1/4" MAX. SHIM SPACE	-
D	1/4" X 2-3/4" PFH DeWALT OR ITW CONCRETE SCREW	STEEL
E	MASONRY - 3,000 PSI MIN. CONCRETE CONFORMING TO ACI 301 OR HOLLOW BLOCK CONFORMING TO ASTM C90	CONCRETE
F	1/4" X 3-3/4" PFH DeWALT OR ITW CONCRETE SCREW	STEEL
G	3/16" X 3-1/4" PFH ITW CONCRETE SCREW	STEEL
L	#10 X 2-1/2" PFH WOOD SCREW (1.15" MIN. EMB.)	STEEL
M	3/16" X 2-1/4" PFH ITW CONCRETE SCREW	STEEL
P	1/4" X 2-1/4" PFH DeWALT OR ITW CONCRETE SCREW	STEEL
1	COMPOSITE JAMB	COMP
3	COMPOSITE MULLION	COMP/LVL
7	WEATHERSTRIP	FOAM
8	SWEEP	VINYL
9	4" X 4" HINGE	STEEL
11	#9 X 3/4" PFH WOOD SCREW	STEEL
12	LATCH STRIKE PLATE	STEEL
13	DEADBOLT STRIKE PLATE	STEEL
14	INSWING THRESHOLD	ALUM/COMP
15	OUTSWING THRESHOLD	ALUM/COMP
17	INSWING SIDELITE ADAPTER	PVC
18	#8 X 3" SD TRIM SCREW	STEEL
20	#9 X 1/2" PFH WOOD SCREW	STEEL
21	#12 X 2-1/2" PFH WOOD SCREW	STEEL
23	#8 X 3/4" PFH WOOD SCREW	STEEL
25	#8 X 2-1/2" PFH WOOD SCREW	STEEL
27	#7 X 1-5/8" DRYWALL SCREW	STEEL
34	MULTIPOINT LOCK STRIKE PLATE	STEEL
40	DOOR PANEL	-
50	SIDELITE PANEL	-



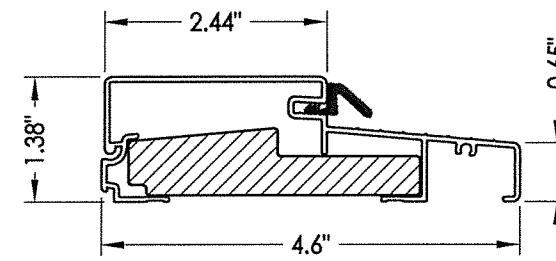
1 COMPOSITE JAMB  
WORLDWIDE "4EVER"



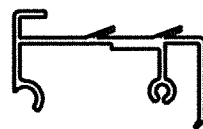
3 COMPOSITE MULLION



14 INSWING THRESHOLD  
Columbia



15 OUTSWING THRESHOLD  
Columbia



17 INSWING SIDELITE SPACER  
Columbia

**CONCRETE ANCHOR NOTES:**

- Concrete anchor locations at the corners may be adjusted to maintain the min. edge distance to mortar joints.
- Concrete anchor locations noted as "MAX. ON CENTER" must be adjusted to maintain the min. edge distance to mortar joints, additional concrete anchors may be required to ensure the "MAX. ON CENTER" dimension are not exceeded.
- Concrete anchor table:

ANCHOR TYPE	ANCHOR SIZE	MIN. EMBEDMENT	MIN. CLEARANCE TO MASONRY EDGE	MIN. CLEARANCE TO ADJACENT ANCHOR
ITW BUILDDEX TAPCON®	3/16"	1-1/4"	3"	1-1/2"
	1/4"	1-1/4"	2"	4"
DeWALT ULTRACON®	1/4"	1-1/4"	1"	4"

**WOOD SCREW INSTALLATION NOTES:**

- Maintain a minimum 5/8" edge distance, 1" end distance, & 1" o.c. spacing of wood screws to prevent the splitting of wood.

June 7, 2022  
 Documents Prepared By:  
 Lyndon F. Schmidt  
 P.E. No. 43409

**R.W.**  
 BUILDING CONSULTANTS, INC.  
 P.O. Box 230, Valrico, FL 33595  
 Phone No.: 813.659.9197  
 FBPE Registry No. 9813

PRODUCT:		ALL SEASONS, INC. FIBERGLASS DOOR	
PART OR ASSEMBLY:		BILL OF MATERIALS & COMPONENTS	
NO.	DATE	BY	REVISIONS
DATE: 4/20/22			
SCALE: N.T.S.			
DWG. BY: RW			
CHK. BY: LFS			
DRAWING NO.: FL-41479.4			
SHEET 13 of 13			