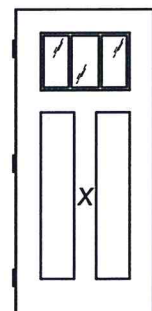
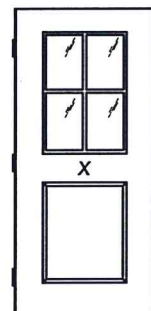


STEVE'S AND SONS

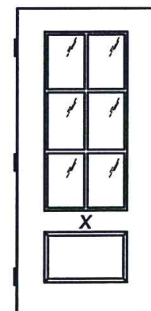
203 Humble Ave.
San Antonio, TX 78225



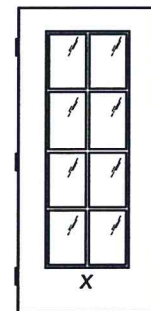
1/4 LITE 3 LITE



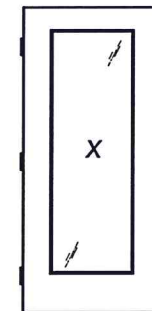
1/2 LITE 4 LITE



3/4 LITE 6 LITE



FULL LITE 8 LITE



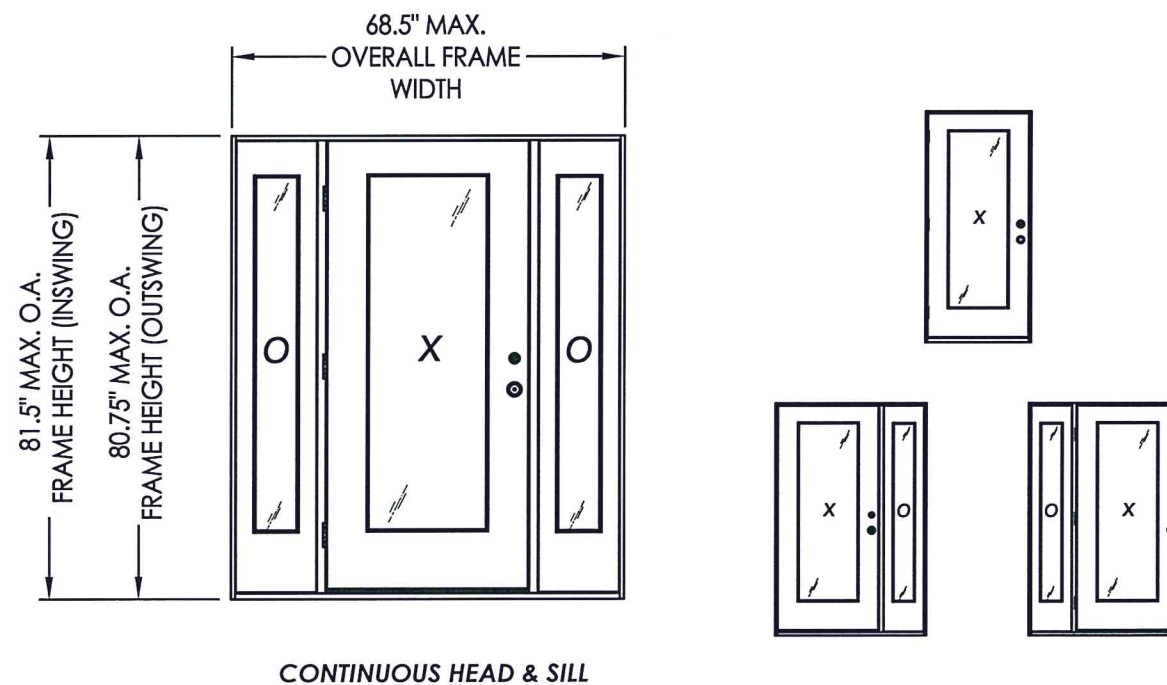
FULL LITE

LEGACY CLEAR COLLECTION w/ SIMULATED DIVIDED LITES

DIRECT GLAZED FIBERGLASS DOOR SINGLE w/ or w/out SIDELITE(S) INSWING/OUTSWING "NON-IMPACT"

GENERAL NOTES

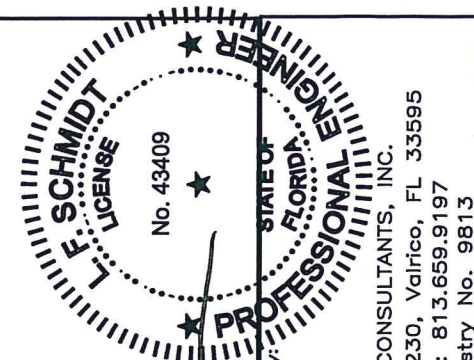
1. This product has been evaluated and is in compliance with the 7th Edition (2020) Florida Building Code (FBC) structural requirements excluding the "High Velocity Hurricane Zone" (HVHZ).
2. Product anchors shall be as listed and spaced as shown on details. Anchor embedment to base material shall be beyond wall dressing or stucco.
3. When used in areas requiring wind borne debris protection this product is required to be protected with an impact resistant covering that complies with FBC Sections 1609.1.2 & R301.2.1.2 of the FBC.
4. For 2x stud framing construction, anchoring of these units shall be the same as that shown for 2x buck masonry construction.
5. Site conditions that deviate from the details of this drawing require further engineering analysis by a licensed engineer or registered architect.



CONTINUOUS HEAD & SILL

TABLE OF CONTENTS			
SHEET #	DESCRIPTION	SHEET #	
1	Typical Elevations, Design Pressures & General Notes	8	Horizontal & Vertical Cross Sections (1X Buck)
2	Door Panel Details	9	Horizontal & Vertical Cross Sections (Direct to Masonry)
3	Sidelite Panel Details	10	Vertical Cross Sections
4	Panel Options	11	Buck Anchoring
5	Elevations	12	Frame Anchoring & Hardware Details
6	Horizontal Cross Sections	13	Bill of Materials & Components
7	Horizontal & Vertical Cross Sections (2X Buck)		

CONFIGURATION	MAX. FRAME DIMENSION	DESIGN PRESSURE (PSF) INSWING		DESIGN PRESSURE (PSF) OUTSWING	
		POSITIVE	NEGATIVE	POSITIVE	NEGATIVE
X	37.5" x 81.5"	+60.0	-60.0	+60.0	-60.0
XO, OX, OXO	68.5" x 81.5"	+40.0	-40.0	+40.0	-40.0



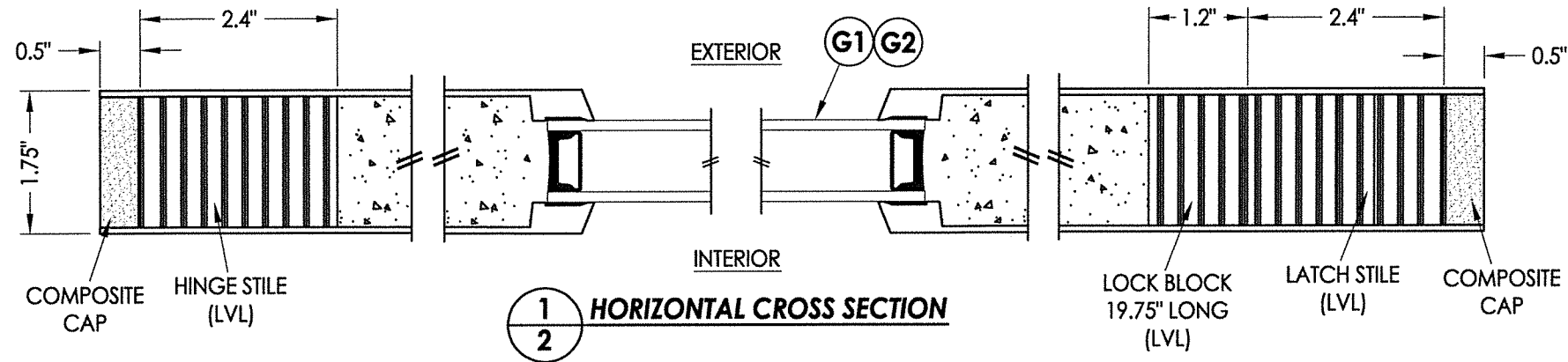
June 7, 2022
 Documents Prepared By: Lyndon F. Schmidt
 P.E. No. 43409
 BUILDING CONSULTANTS, INC.
 P.O. Box 230, Valrico, FL 33595
 Phone No.: 813.659.9197
 FBPE Registry No. 9813

PRODUCT: STEVE'S & SONS FIBERGLASS DOOR
 PART OR ASSEMBLY: TYPICAL ELEVATION, DESIGN PRESSURES & GENERAL NOTES

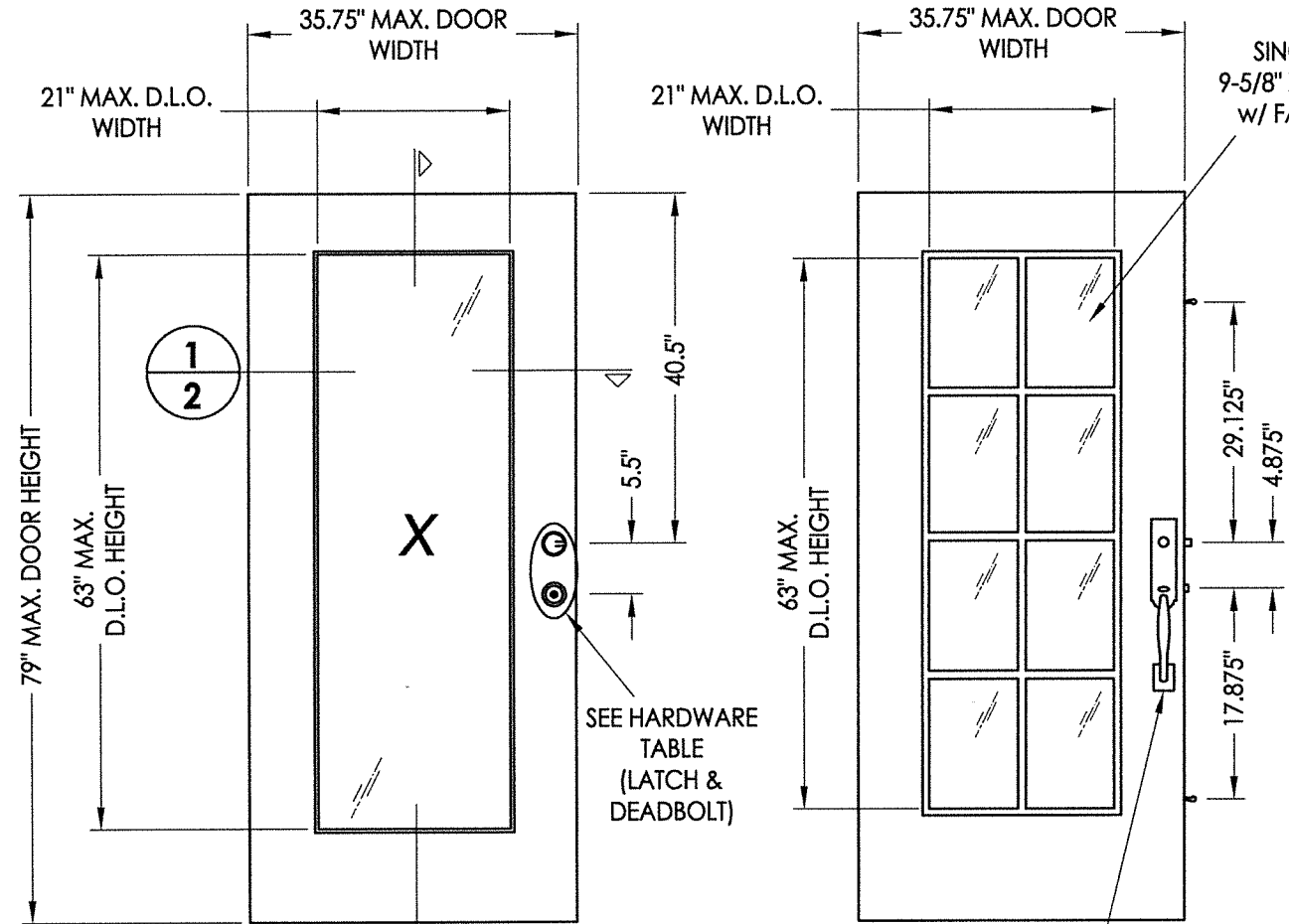
NO.	DATE	BY	REVISIONS

DATE: 4/20/22
 SCALE: N.T.S.
 DWG. BY: RW
 CHK. BY: LFS
 DRAWING NO.: FL-41479.1
 SHEET 1 OF 13

Z:\Clients\Steves and Sons - Permanent\A - Florida Product Approvals\FL-41479 LEGACY SERIES\C - Drawings\FL-41479 (2020)\FL-41479.1.dwg



1
2 HORIZONTAL CROSS SECTION

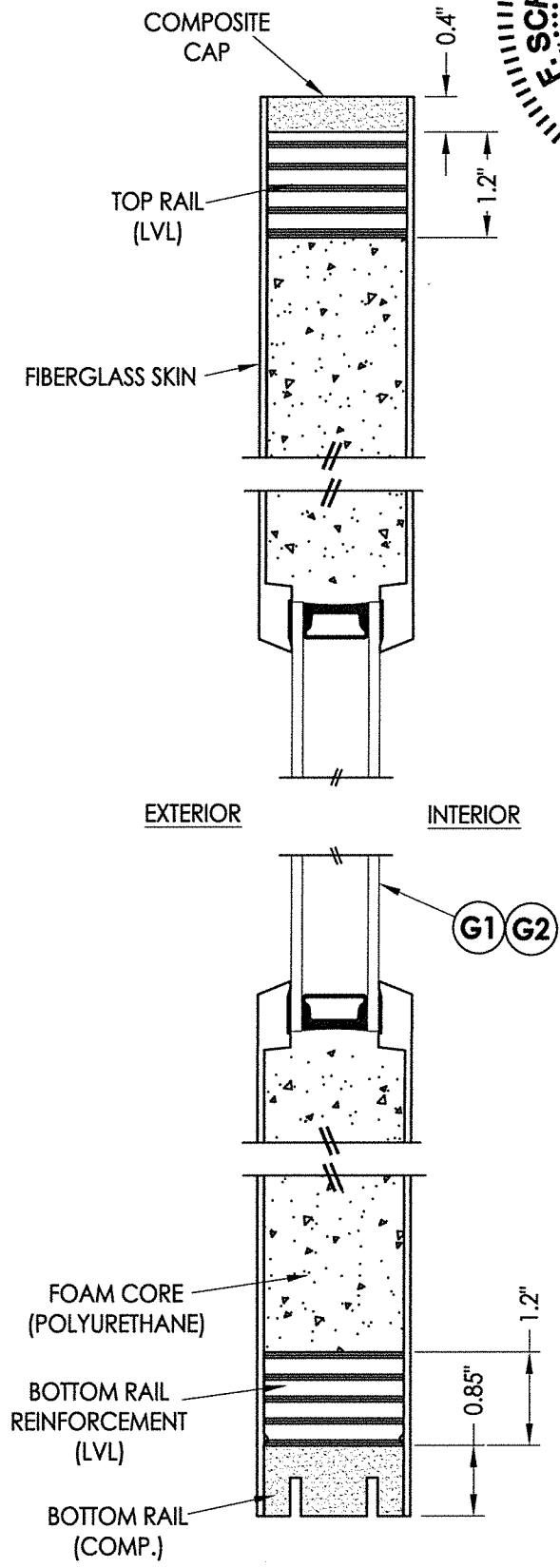


40 FIBERGLASS DOOR PANEL
Full Lite

40 FIBERGLASS DOOR PANEL
Simulated Divided Lites

FIBERGLASS DOOR SKIN: MIN. 0.08\"/>

HARDWARE TABLE		
MANUFACTURER	MODEL	
KWIKSET	LATCH:	SIGNATURE SERIES
	DEADBOLT:	SIGNATURE SERIES (980)
SCHLAGE	LATCH:	F51
	DEADBOLT:	B60N
ROCKWELL	LATCH:	PREMIUM HANDLESET
ROCKWELL	DEADBOLT:	PREMIUM DEADBOLT
	PREMIUM MULTIPOINT HANDLESET w/ DEADLOCKING TONGUE MULTIPOINT LOCK	



2
2 VERTICAL CROSS SECTION

FLORIDA
REGISTERED PROFESSIONAL ENGINEER
L. SCHMIDT
LICENSE No. 43409

[Signature]

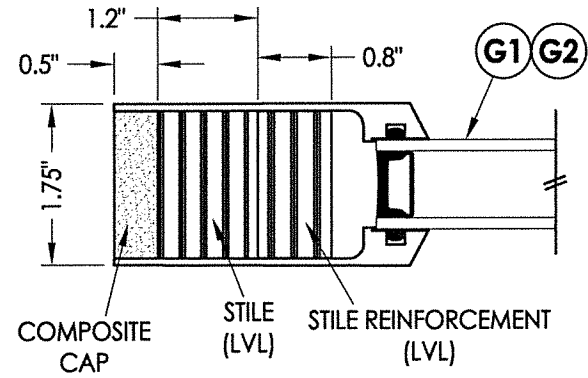
June 7, 2022

Documents Prepared By:
Lyndon F. Schmidt
P.E. No. 43409

RW BUILDING CONSULTANTS, INC.
P.O. Box 230, Vairico, FL 33595
Phone No.: 813.659.9197
FBPE Registry No. 9813

PRODUCT: STEVES & SONS FIBERGLASS DOOR	
PART OR ASSEMBLY: DOOR PANEL DETAILS	
NO.	DATE
BY	REVISIONS
DATE: 4/20/22	
SCALE: N.T.S.	
DWG. BY: RW	
CHK. BY: LFS	
DRAWING NO.: FL-41479.1	
SHEET 2 OF 13	

Z:\Clients\Steves and Sons - Permanent\A - Florida Product Approvals\FL-41479 LEGACY SERIES\C - Drawings\FL-41479 (2020)\FL-41479.1.dwg

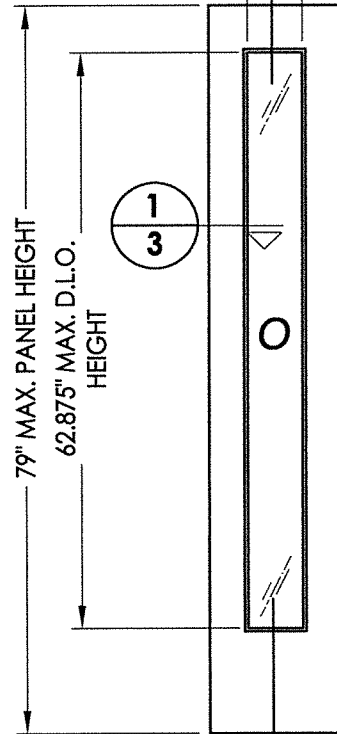


1
3 HORIZONTAL CROSS SECTION

EXTERIOR

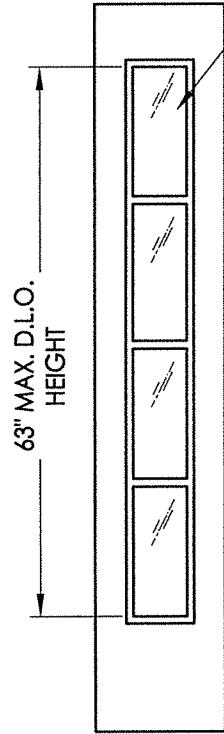
INTERIOR

13.875" MAX. PANEL WIDTH
5.875" MAX. D.L.O. WIDTH

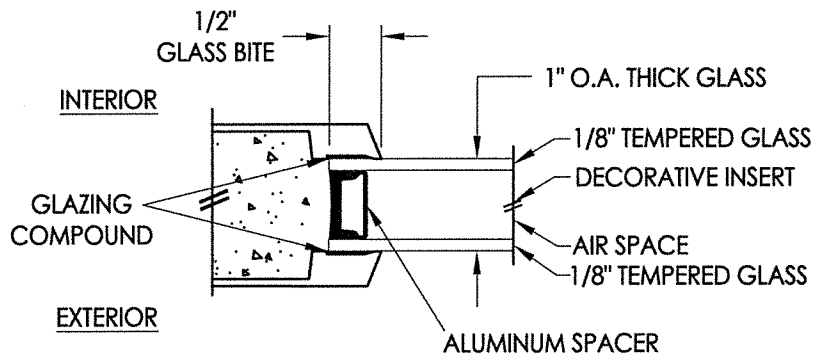


50 FIBERGLASS SIDELITE PANEL
Full Lite

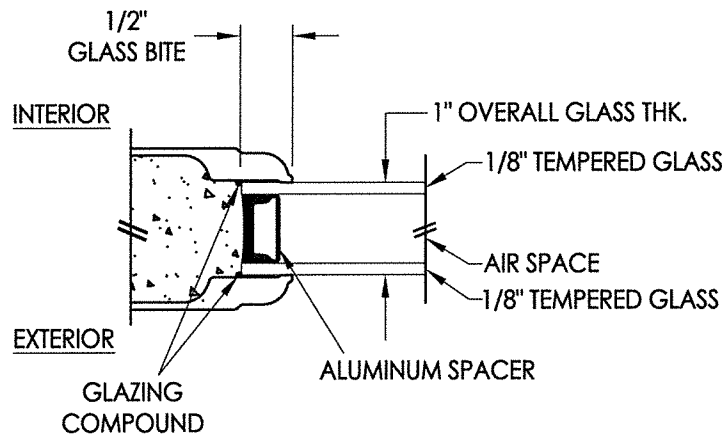
13.875" PANEL WIDTH
SINGLE LITE (4X)
5.875" X 14-1/2" D.L.O.
w/ FALSE MUNTINS



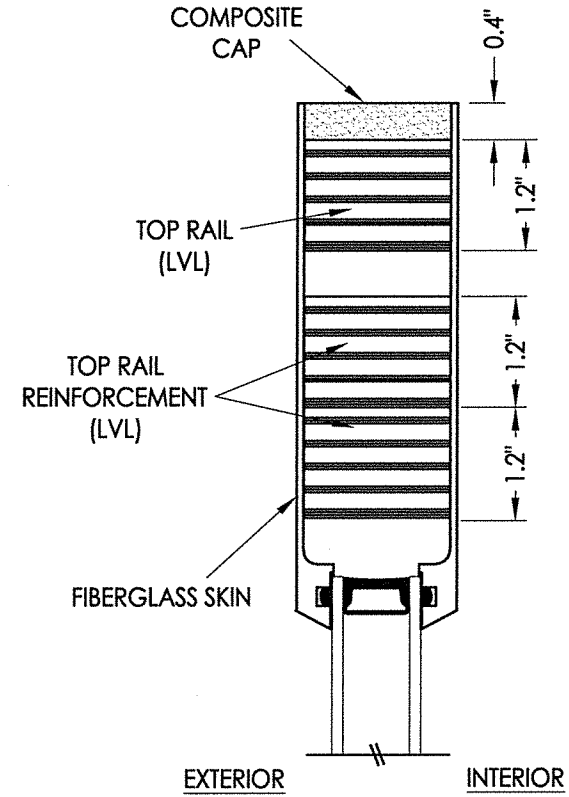
50 FIBERGLASS SIDELITE PANEL
Simulated Divided Lites



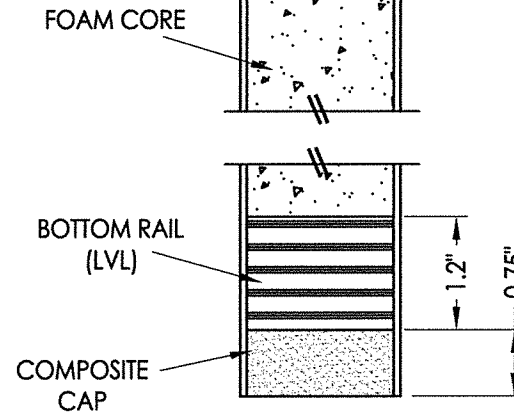
G1 GLAZING DETAIL
Full Lite



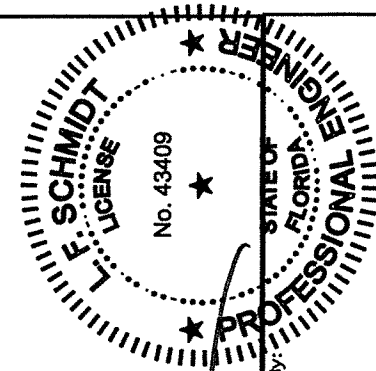
G2 GLAZING DETAIL
Simulated Divided Lites



G1 **G2**



2
3 VERTICAL CROSS SECTION



Handwritten signature

June 7, 2022

Documents Prepared By:
Lyndon F. Schmidt
P.E. No. 43409

RW BUILDING CONSULTANTS, INC.
P.O. Box 230, Vairico, FL 33595
Phone No.: 813.659.9197
FBPE Registry No. 9813

PRODUCT:	STEVES & SONS FIBERGLASS DOOR
PART OR ASSEMBLY:	SIDELITE PANEL DETAILS

NO.	DATE	BY	REVISIONS

DATE: 4/20/22

SCALE: N.T.S.

DWG. BY: RW

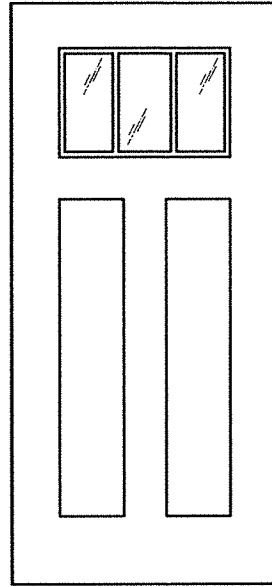
CHK. BY: LFS

DRAWING NO.:

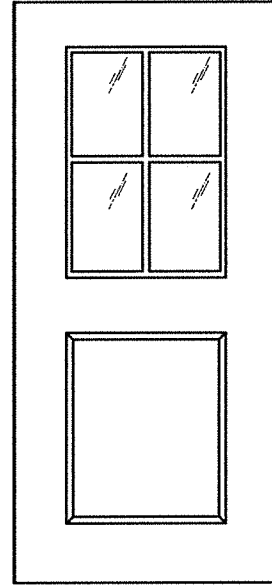
FL-41479.1

SHEET 3 OF 13

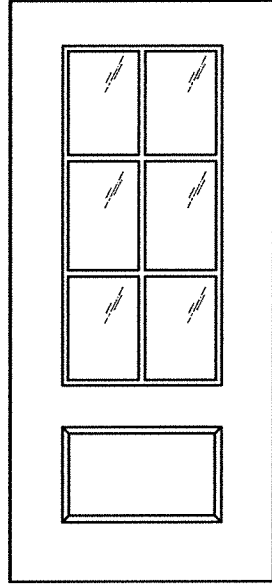
FIBERGLASS SKIN: 0.08" MIN. THK.
FOAM CORE: POLYURETHANE - 1.9 PCF MIN.)



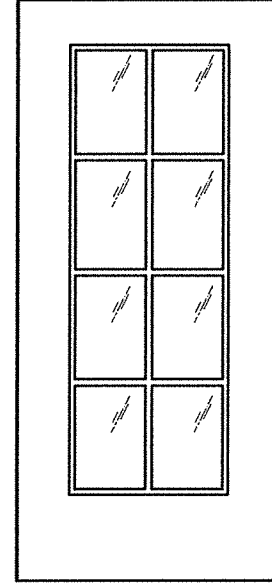
1/4 LITE 3 LITE



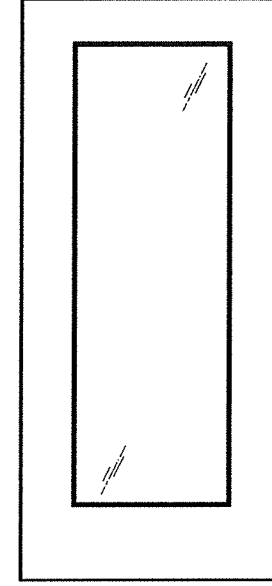
1/2 LITE 4 LITE



3/4 LITE 6 LITE

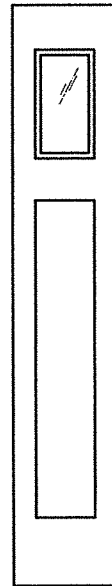


FULL LITE 8 LITE

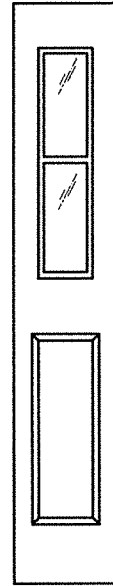


FULL LITE

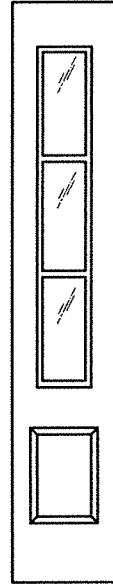
LEGACY CLEAR COLLECTION
w/ SIMULATED DIVIDED LITES



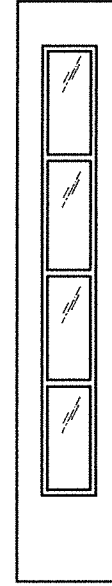
1/4 LITE 1 LITE



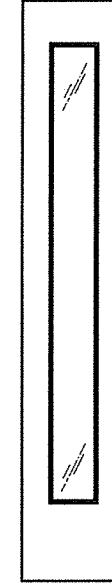
1/2 LITE 2 LITE



3/4 LITE 3 LITE

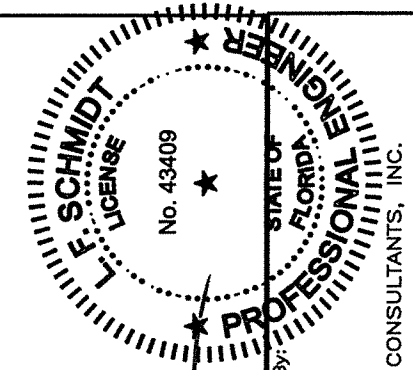


FULL LITE 4 LITE



FULL LITE

LEGACY SIDELITES

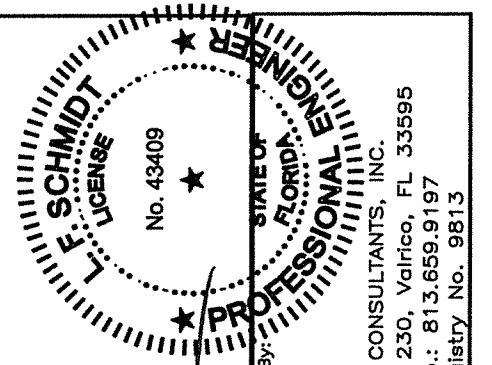
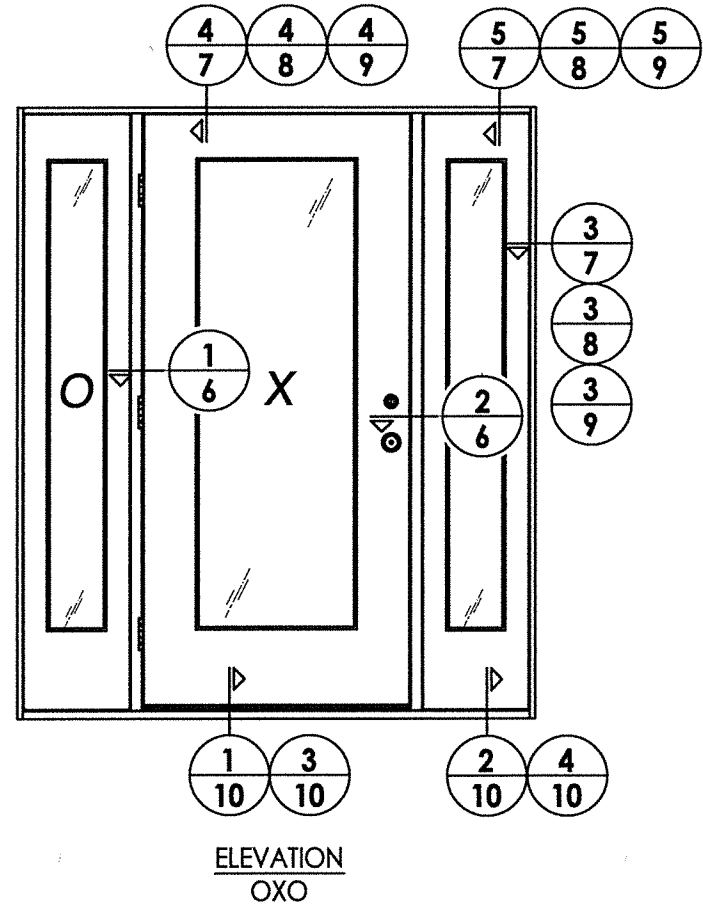
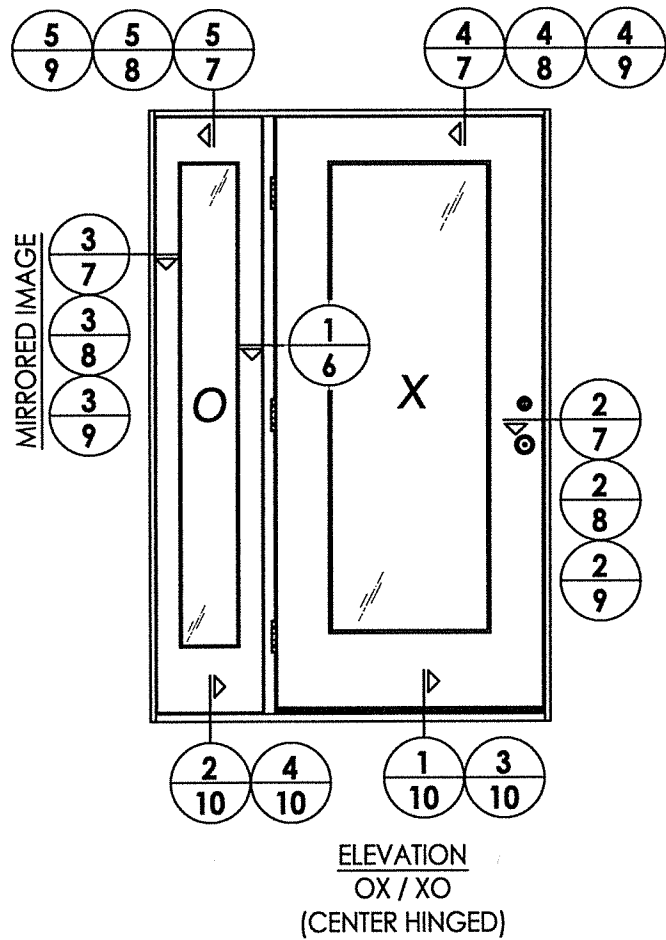
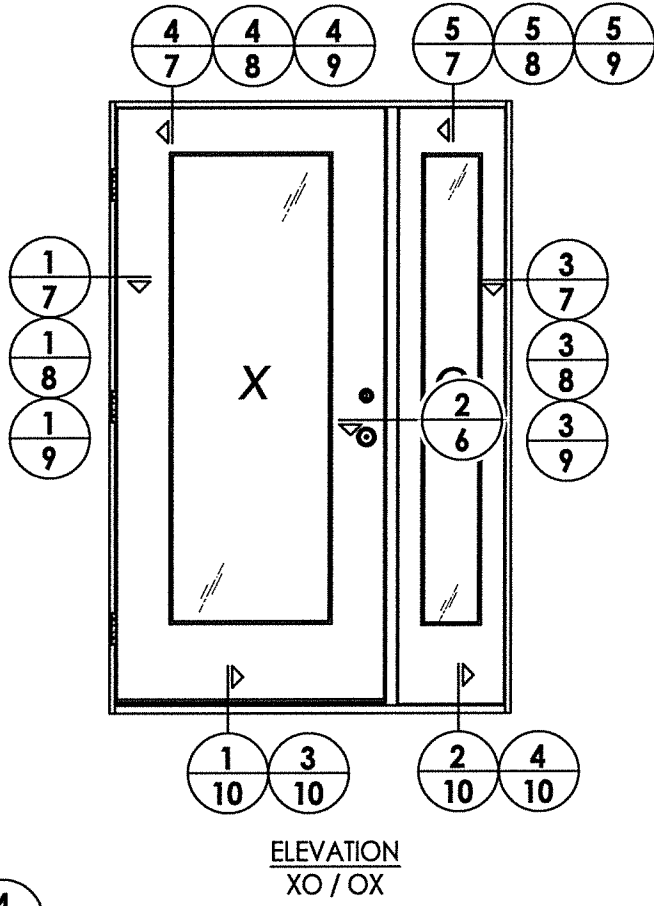
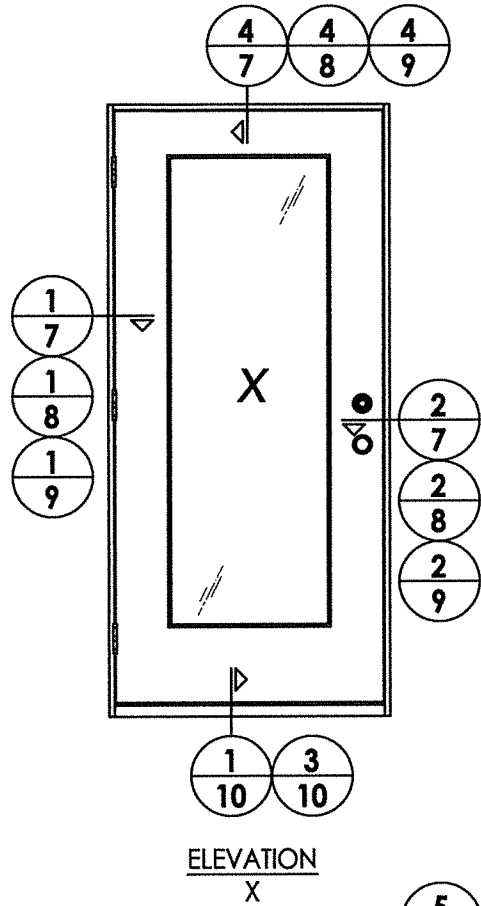


Lyndon F. Schmidt
June 7, 2022

Documents Prepared By:
Lyndon F. Schmidt
P.E. No. 4-3409

RW
BUILDING CONSULTANTS, INC.
P.O. Box 230, Valrico, FL 33595
Phone No.: 813.659.9197
FBPE Registry No. 9813

PRODUCT: STEVES & SONS FIBERGLASS DOOR	
PART OR ASSEMBLY: PANEL OPTIONS	
NO.	DATE
REVISIONS	
BY	
DATE: 4/20/22	
SCALE: N.T.S.	
DWG. BY: RW	
CHK. BY: LFS	
DRAWING NO.: FL-41479.1	
SHEET 4 OF 13	



June 7, 2022
 Documents Prepared By:
 Lyndon F. Schmidt
 P.E. No. 43409

RW

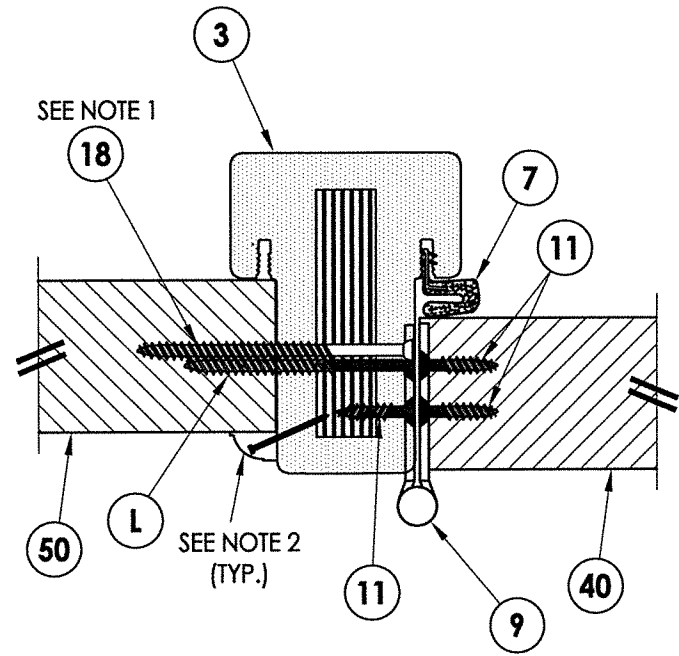
STEVES & SONS
 FIBERGLASS DOOR
 PART OR ASSEMBLY:
 ELEVATIONS

NO.	DATE	BY	REVISIONS

DATE: 4/20/22
 SCALE: N.T.S.
 DWG. BY: RW
 CHK. BY: LFS
 DRAWING NO.:
 FL-41479.1
 SHEET 5 OF 13

BUILDING CONSULTANTS, INC.
 P.O. Box 230, Valrico, FL 33595
 Phone No.: 813.659.9197
 FBPE Registry No. 9813

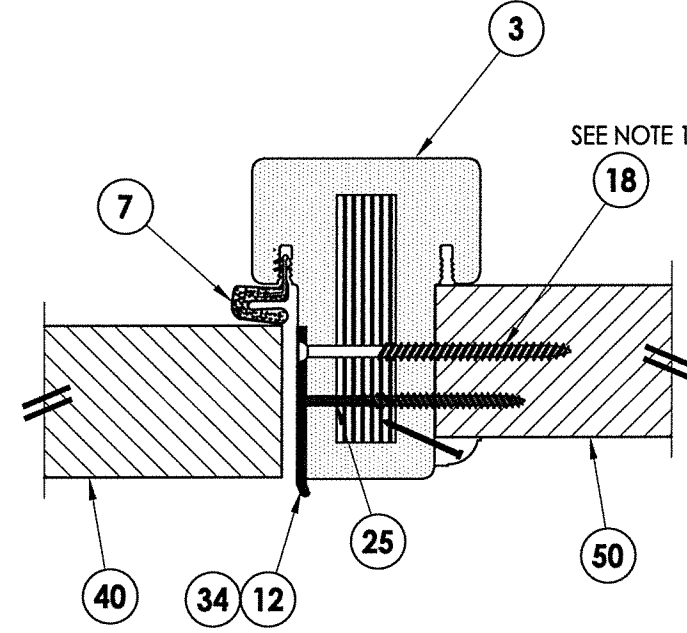
- NOTES:
- Sidelite assembly screws located @ 3" & 19" from each end of mullion (4 total).
 - Moulding secured w/ 16 GA. X 1" brad nails located 1" from ends & 6" o.c. max.



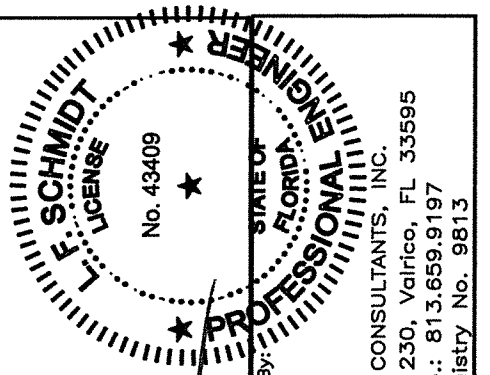
1 HORIZONTAL CROSS SECTION
6 Outswing shown (inswing similar)

INTERIOR

EXTERIOR



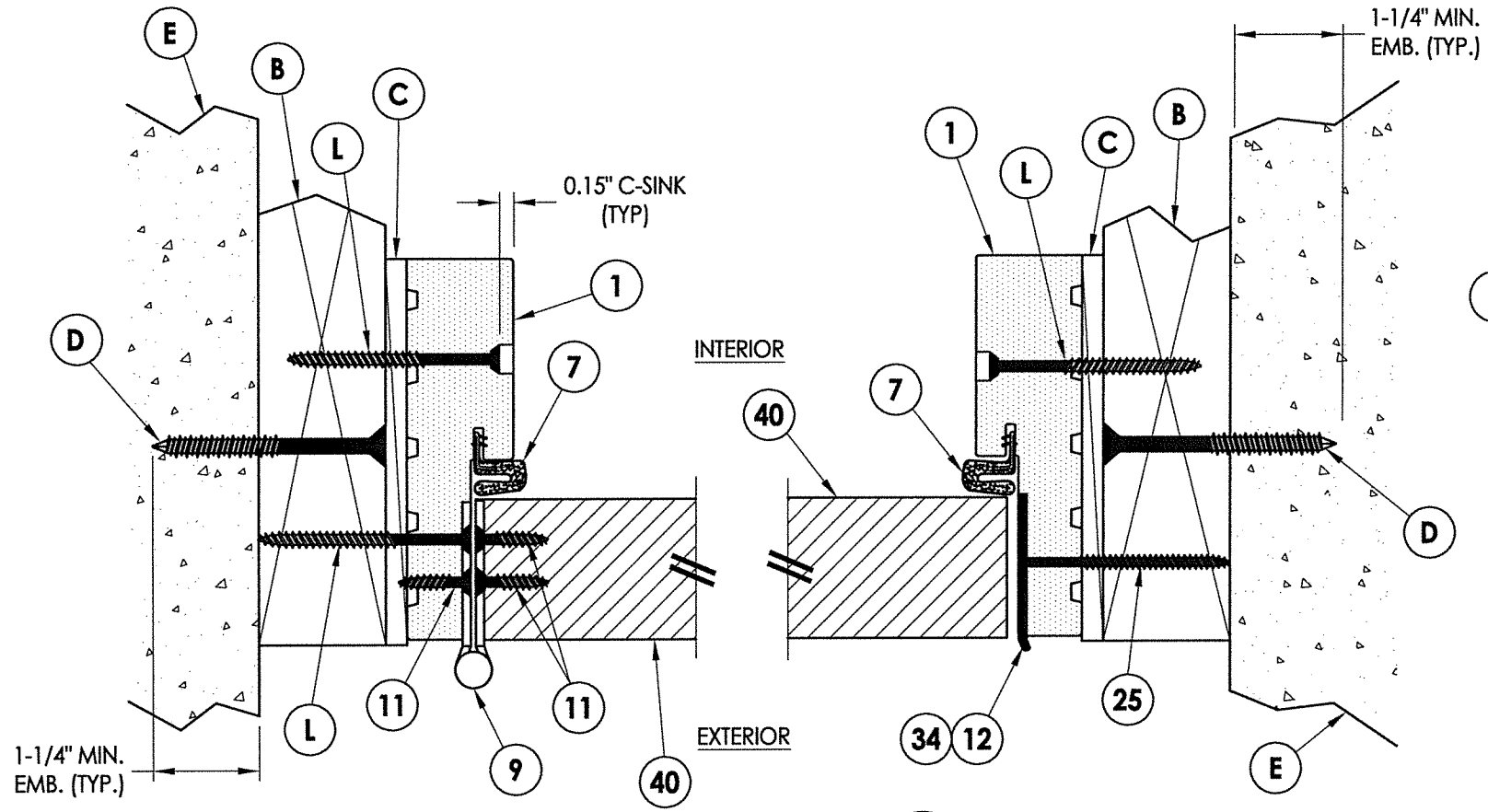
2 HORIZONTAL CROSS SECTION
6 Outswing shown (inswing similar)



LFS
June 7, 2022
Documents Prepared By:
Lyndon F. Schmidt
P.E. No. 43409

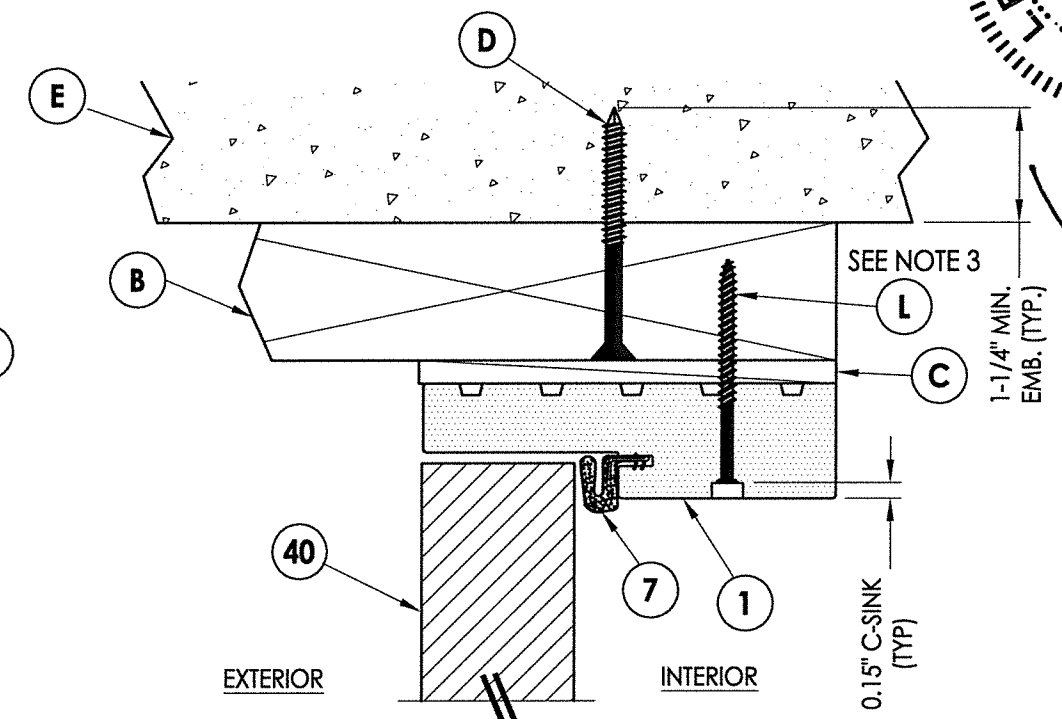
RW BUILDING CONSULTANTS, INC.
P.O. Box 230, Valrico, FL 33595
Phone No.: 813.659.9197
FBPE Registry No. 9813

PRODUCT: STEVES & SONS FIBERGLASS DOOR		PART OR ASSEMBLY: HORIZONTAL CROSS SECTIONS	
NO.		DATE	
BY		REVISIONS	
DATE: 4/20/22			
SCALE: N.T.S.			
DWG. BY: RW			
CHK. BY: LFS			
DRAWING NO.: FL-41479.1			
SHEET 6 OF 13			

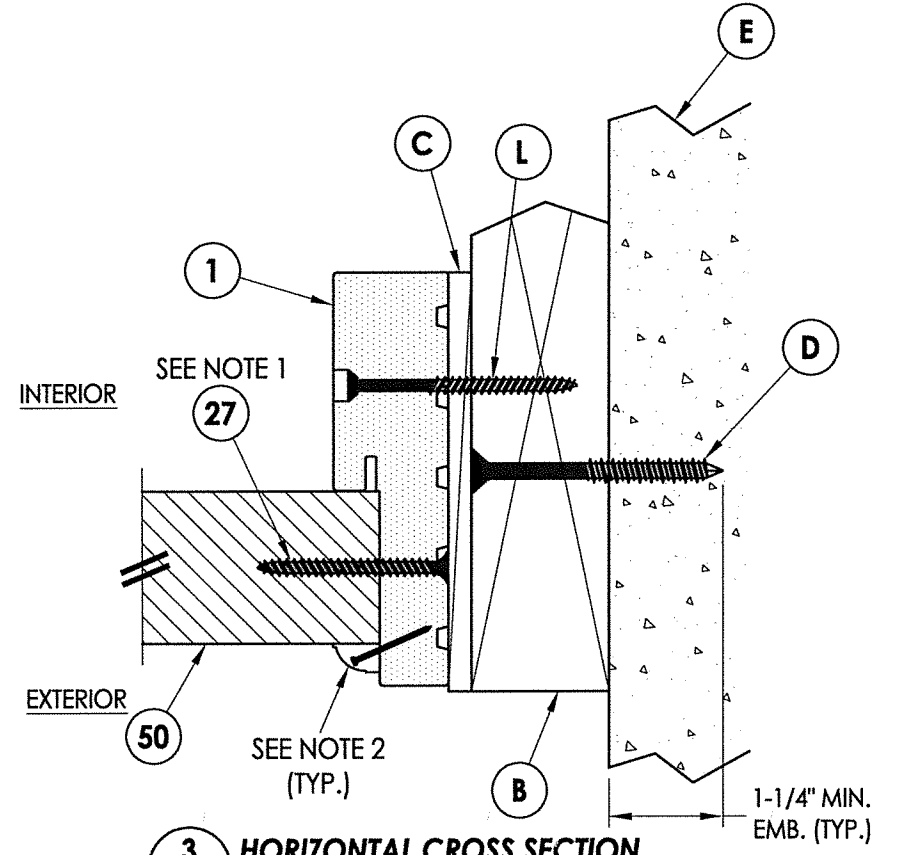


1
7 **HORIZONTAL CROSS SECTION**
Shown w/ 2X Buck
Outswing shown (Inswing similar)

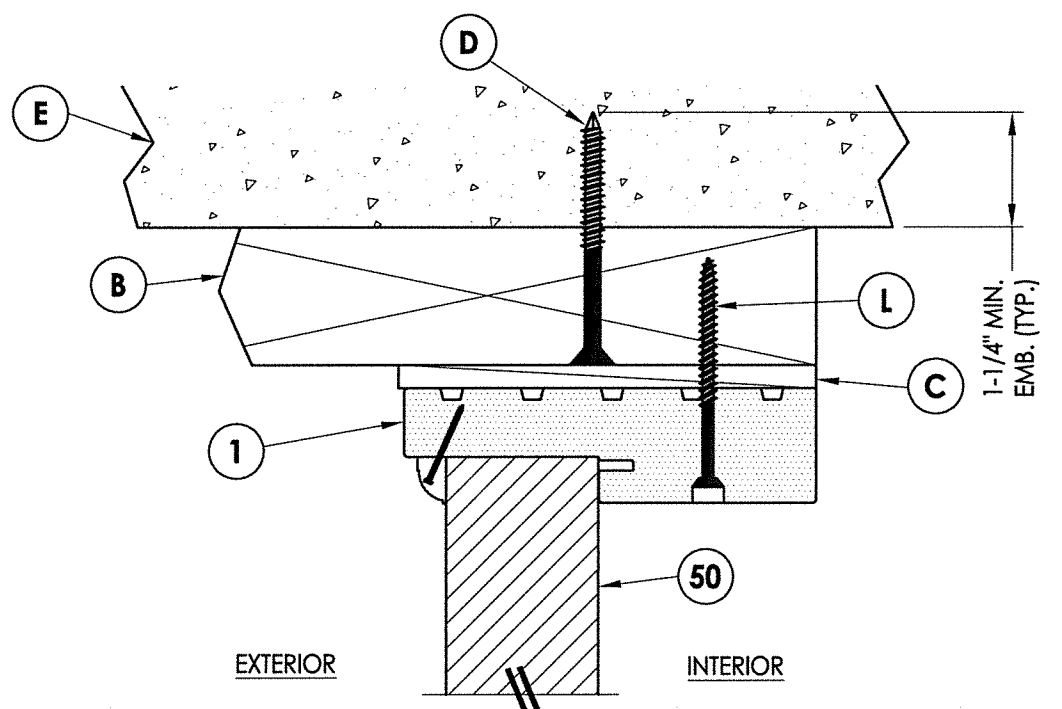
2
7 **HORIZONTAL CROSS SECTION**
Shown w/ 2X Buck
Outswing shown (Inswing similar)



4
7 **VERTICAL CROSS SECTION**
Shown w/ 2X Buck
Outswing shown (Inswing similar)

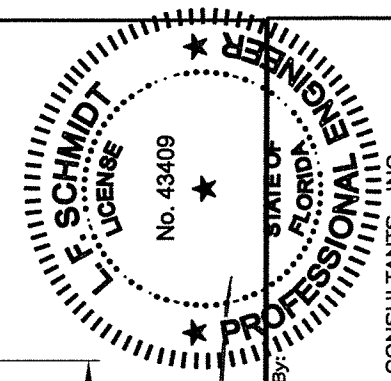


3
7 **HORIZONTAL CROSS SECTION**
Shown w/ 2X Buck
Outswing shown (Inswing similar)



5
7 **VERTICAL CROSS SECTION**
Shown w/ 2X Buck
Outswing shown (Inswing similar)

- NOTES:
- Sidelite assembly screws located 4" from each end plus 4 more equally spaced along jamb (6 total).
 - Moulding secured w/ 16 GA. X 1" brad nails located 1" from ends & 6" o.c. max.
 - Anchor @ head is not required for single door (X) only.



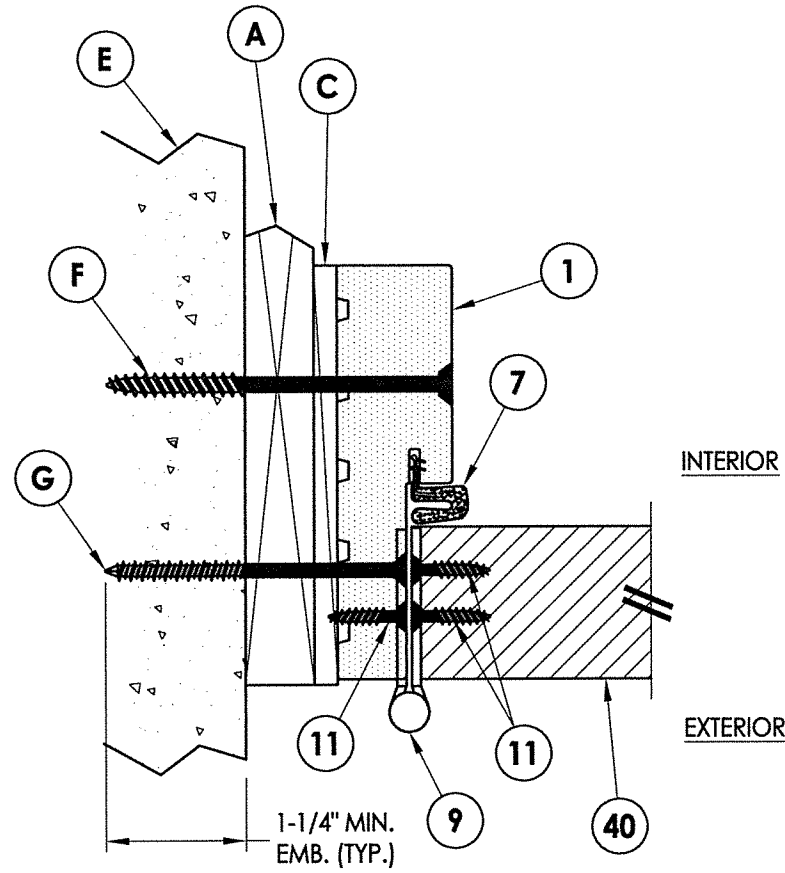
June 7, 2022
 Documents Prepared By:
 Lyndon F. Schmidt
 P.E. No. 43409

R.W. BUILDING CONSULTANTS, INC.
 P.O. Box 230, Valrico, FL 33595
 Phone No.: 813.659.9197
 FBPE Registry No. 9813

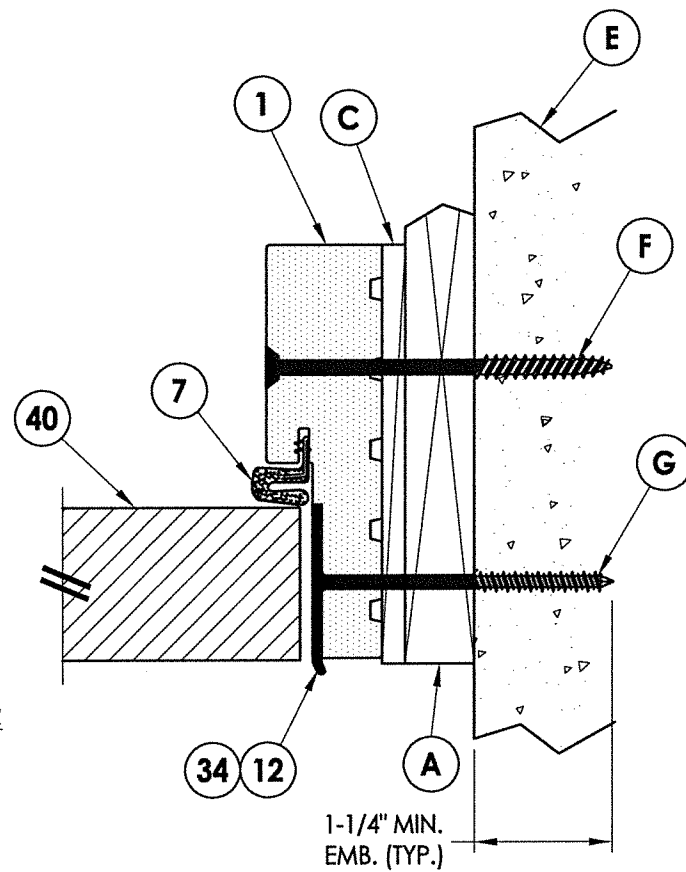
PRODUCT:	STEVES & SONS FIBERGLASS DOOR
PART OR ASSEMBLY:	HORIZONTAL & VERTICAL CROSS SECTIONS (2X BUCK)
NO.	DATE
BY	

REVISIONS	
NO.	DATE

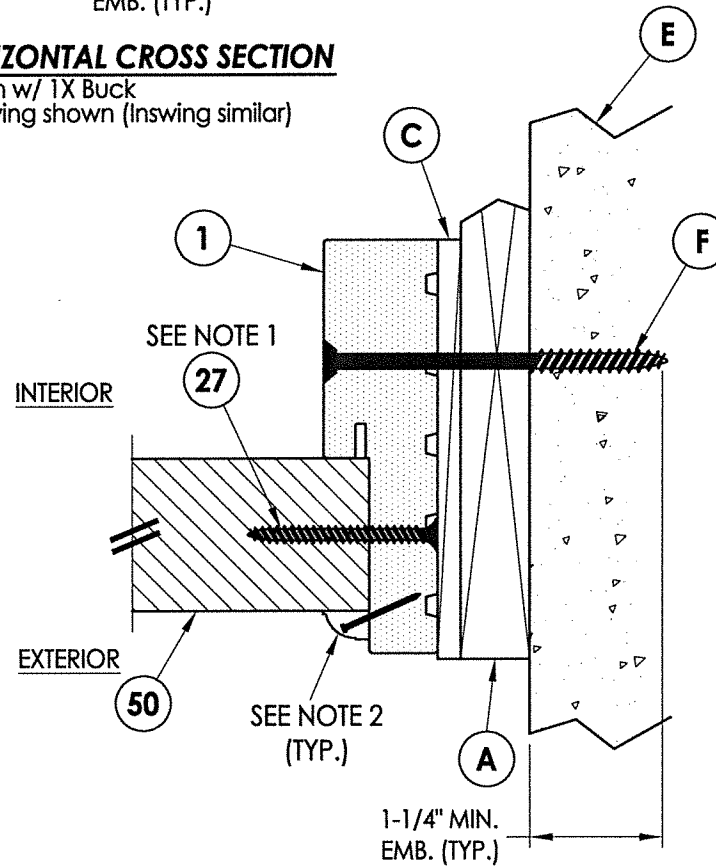
DATE:	4/20/22
SCALE:	N.T.S.
DWG. BY:	RW
CHK. BY:	LFS
DRAWING NO.:	FL-41479.1
SHEET	7 OF 13



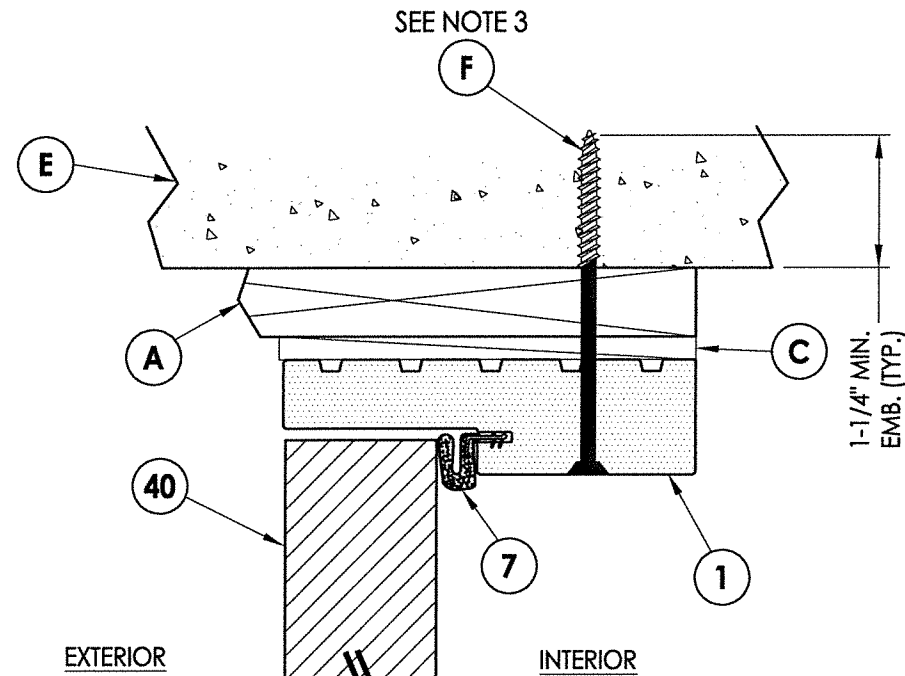
1 HORIZONTAL CROSS SECTION
8 Shown w/ 1X Buck
 Outswing shown (Inswing similar)



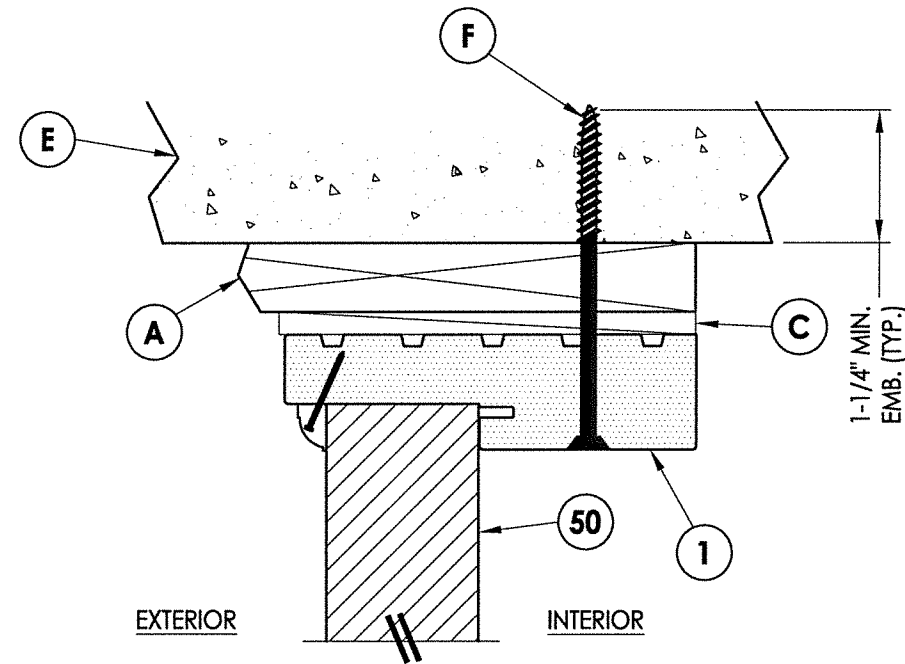
2 HORIZONTAL CROSS SECTION
8 Shown w/ 1X Buck
 Outswing shown (Inswing similar)



3 HORIZONTAL CROSS SECTION
8 Shown w/ 1X Buck
 Outswing shown (Inswing similar)



4 VERTICAL CROSS SECTION
8 Shown w/ 1X Buck
 Outswing shown (Inswing similar)



5 VERTICAL CROSS SECTION
8 Shown w/ 1X Buck
 Outswing shown (Inswing similar)

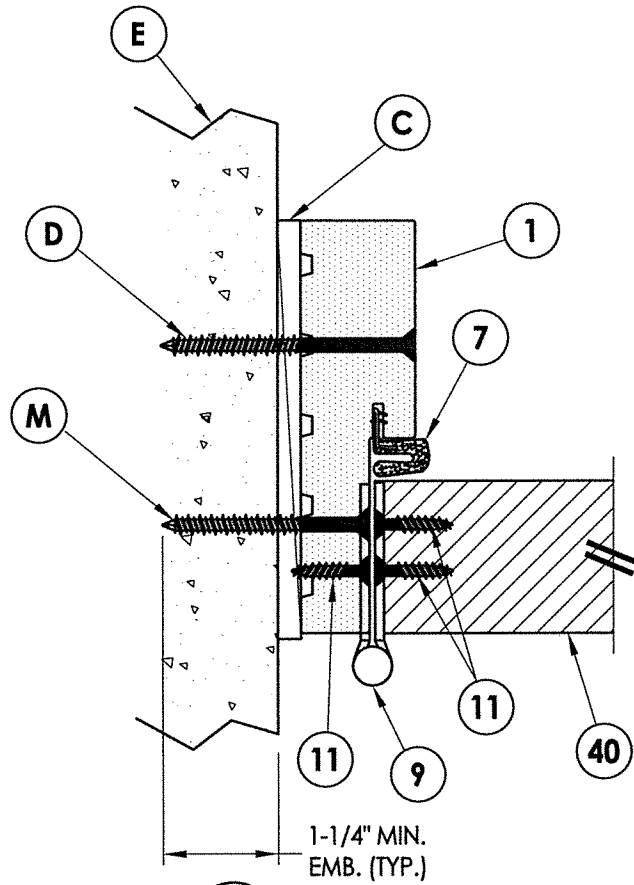
- NOTES:**
- Sidelite assembly screws located 4" from each end plus 4 more equally spaced along jamb (6 total).
 - Moulding secured w/ 16 GA. X 1" brad nails located 1" from ends & 6" o.c. max.
 - Anchor @ head is not required for single door (X) only.

June 7, 2022
 Documents Prepared By:
 Lyndon F. Schmidt
 P.E. No. 43409

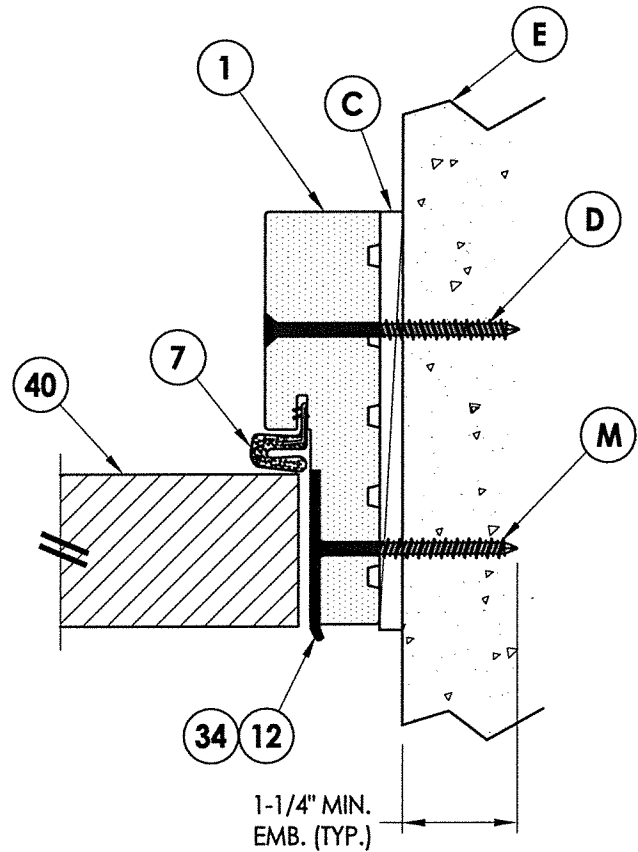
FLORIDA PROFESSIONAL ENGINEER
 L. F. SCHMIDT
 LICENSE No. 43409

R.W.
 BUILDING CONSULTANTS, INC.
 P.O. Box 230, Valrico, FL 33595
 Phone No.: 813.659.9197
 FBPE Registry No. 9813

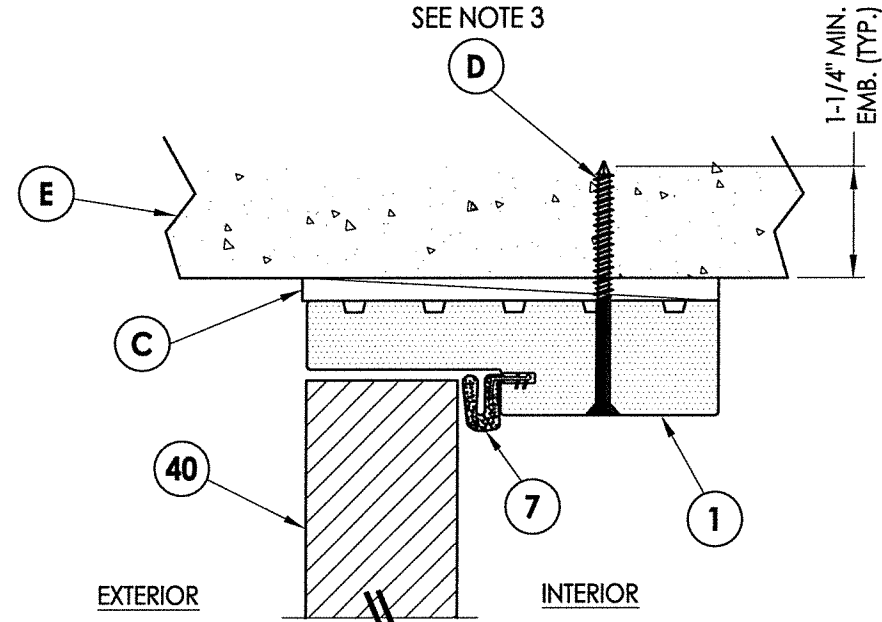
PRODUCT: STEVES & SONS FIBERGLASS DOOR	
PART OR ASSEMBLY: HORIZONTAL & VERTICAL CROSS SECTIONS (1X BUCK)	
NO.	BY
DATE	REVISIONS
DATE: 4/20/22	
SCALE: N.T.S.	
DWG. BY: RW	
CHK. BY: LFS	
DRAWING NO.: FL-41479.1	
SHEET 8 OF 13	



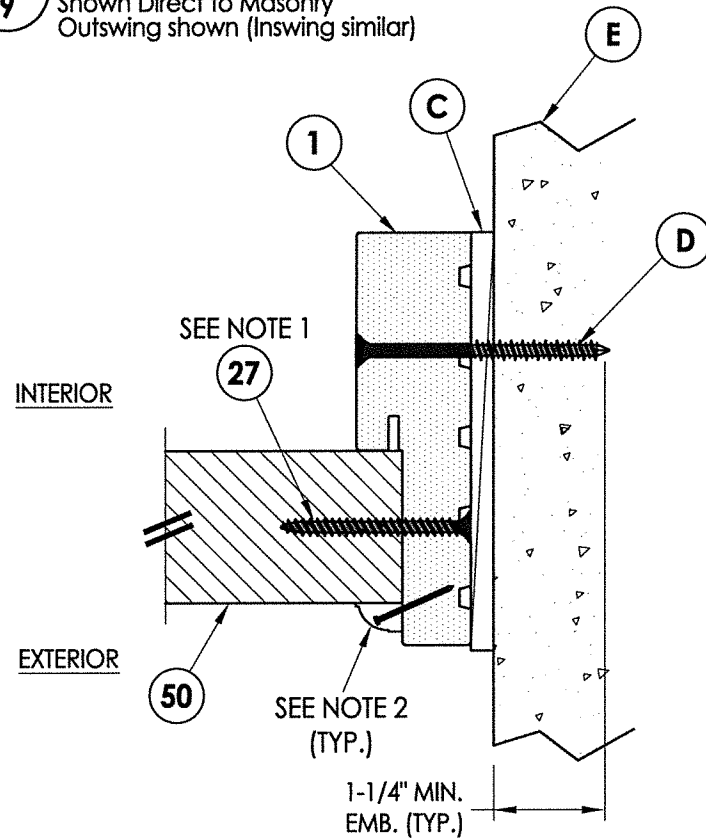
1
9 **HORIZONTAL CROSS SECTION**
Shown Direct to Masonry
Outswing shown (Inswing similar)



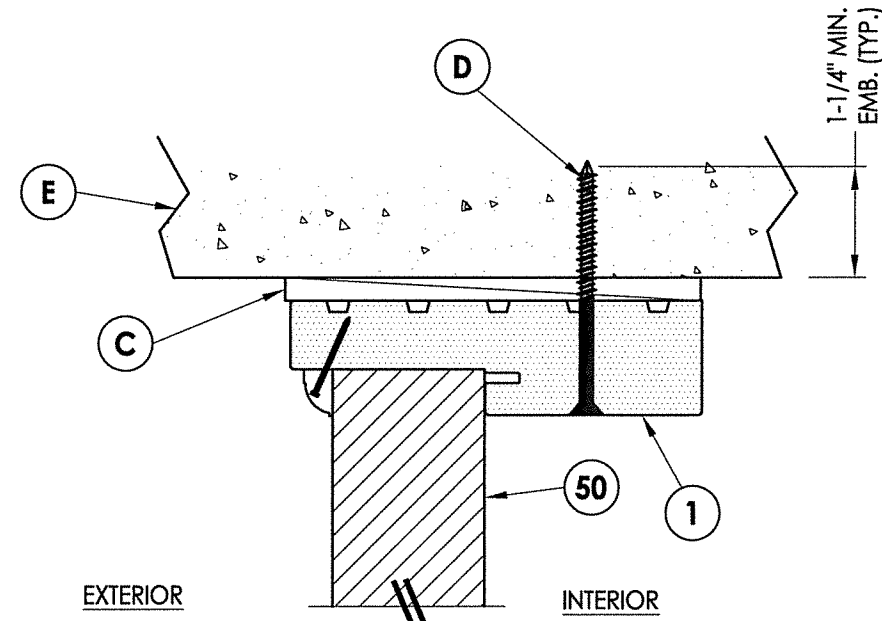
2
9 **HORIZONTAL CROSS SECTION**
Shown Direct to Masonry
Outswing shown (Inswing similar)



4
9 **VERTICAL CROSS SECTION**
Shown Direct to Masonry
Outswing shown (Inswing similar)



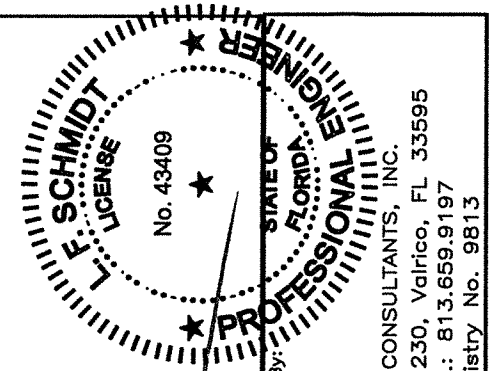
3
9 **HORIZONTAL CROSS SECTION**
Shown Direct to Masonry
Outswing shown (Inswing similar)



5
9 **VERTICAL CROSS SECTION**
Shown Direct to Masonry
Outswing shown (Inswing similar)

NOTES:

- 1. Sidelite assembly screws located 4" from each end plus 4 more equally spaced along jamb (6 total).
- 2. Moulding secured w/ 16 GA. X 1" brad nails located 1" from ends & 6" o.c. max.
- 3. Anchor @ head is not required for single door (X) only.



LFS

June 7, 2022

Documents Prepared By:
Lyndon F. Schmidt
P.E. No. 43409

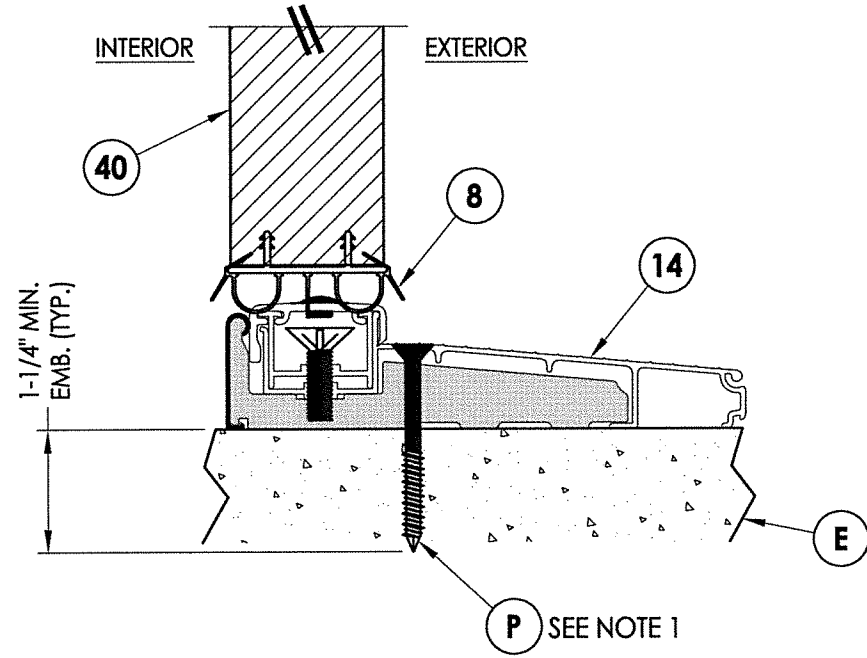
RW

BUILDING CONSULTANTS, INC.
P.O. Box 230, Valrico, FL 33595
Phone No.: 813.659.9197
FBPE Registry No. 9813

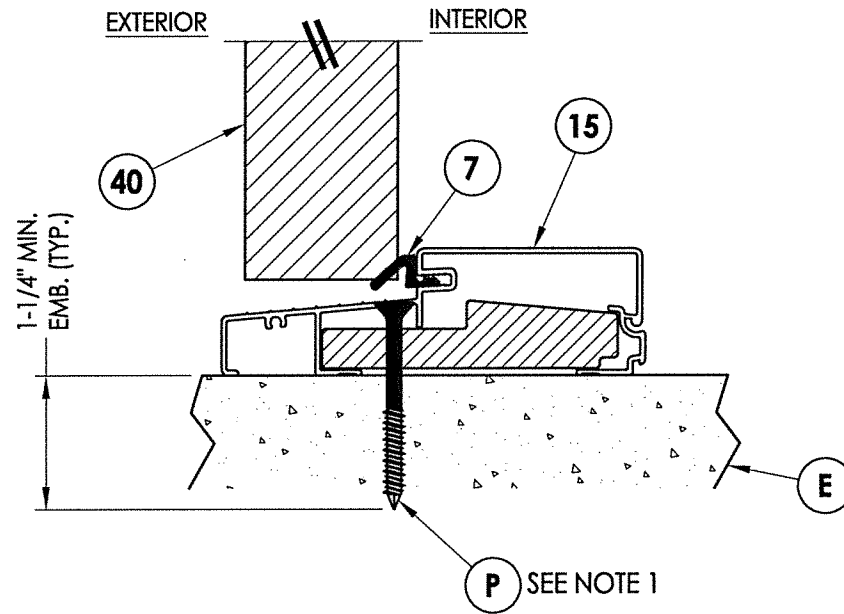
PRODUCT:	STEVES & SONS FIBERGLASS DOOR
PART OR ASSEMBLY:	HORIZONTAL & VERTICAL CROSS SECTIONS (DIRECT TO MASONRY)
NO.	DATE
BY	
REVISIONS	
DATE:	4/20/22
SCALE:	N.T.S.
DWG. BY:	RW
CHK. BY:	LFS
DRAWING NO.:	FL-41479.1
SHEET	9 OF 13

Note:

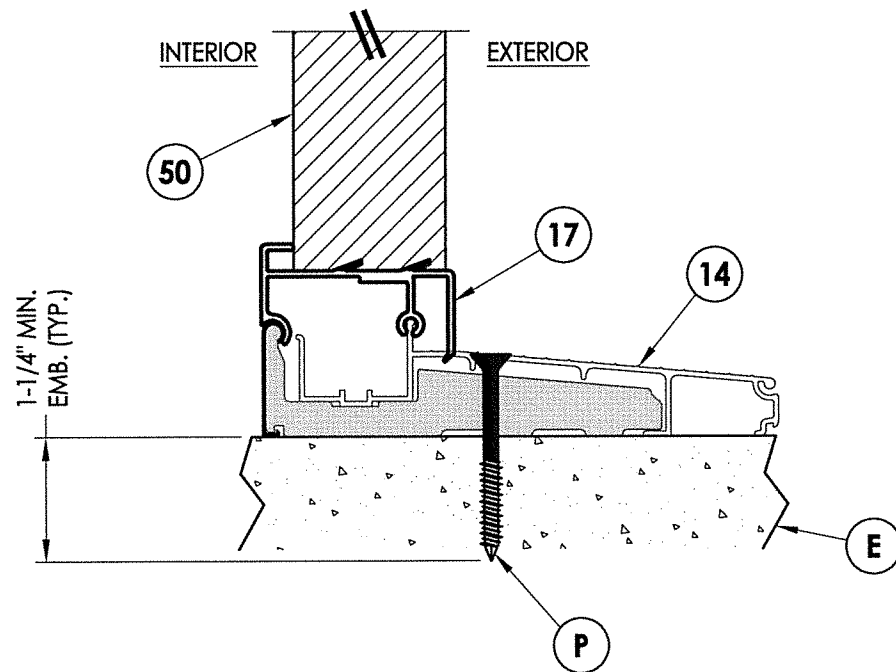
1. Anchor @ sill is not required for single door (X) only.



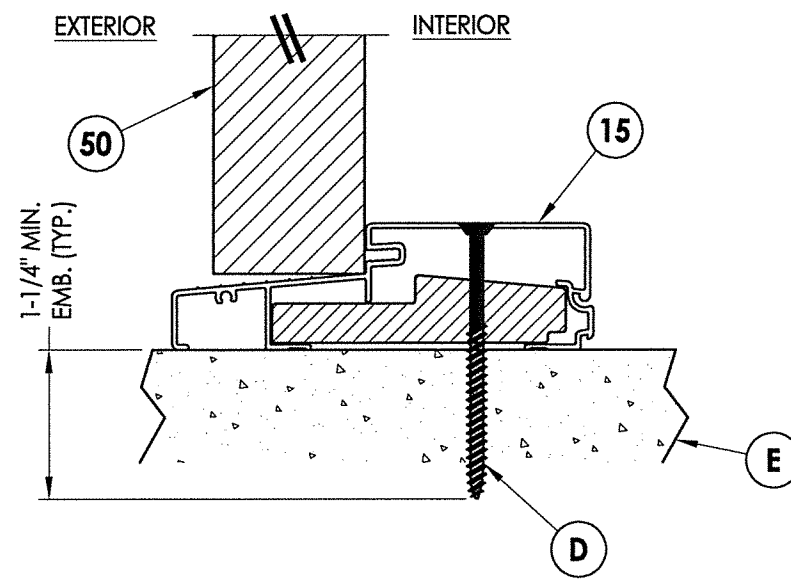
1 VERTICAL CROSS SECTION
10 Inswing Threshold



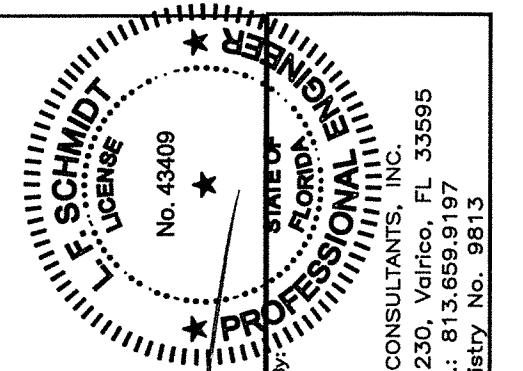
2 VERTICAL CROSS SECTION
10 Outswing Threshold



3 VERTICAL CROSS SECTION
10 Inswing Threshold



4 VERTICAL CROSS SECTION
10 Outswing Threshold

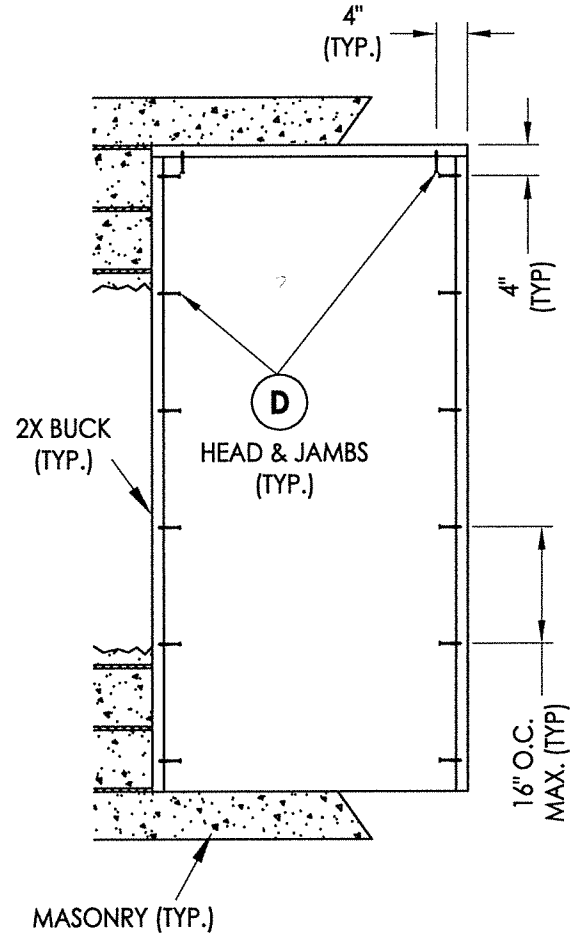


June 7, 2022
 Documents Prepared By:
 Lyndon F. Schmidt
 P.E. No. 43409

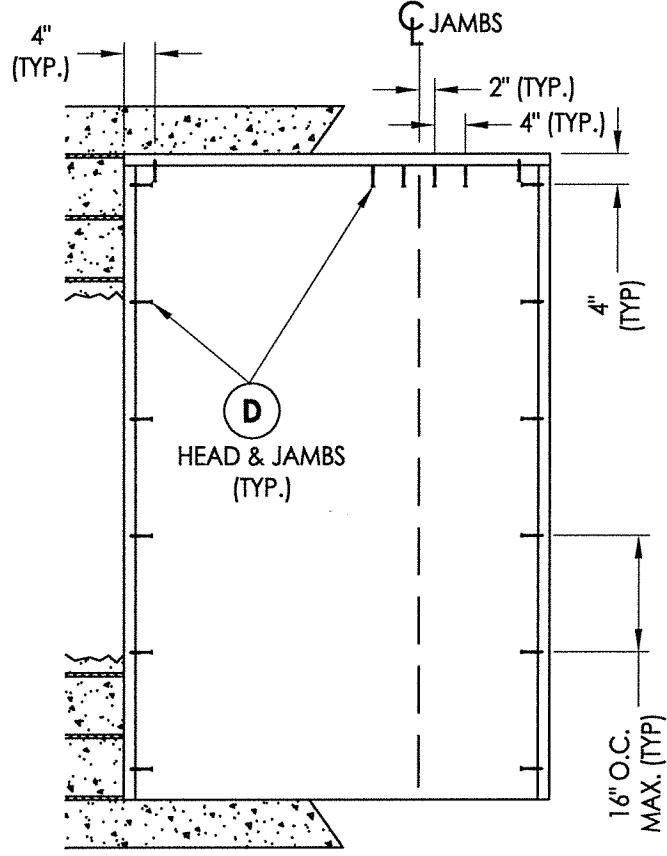
RW
 BUILDING CONSULTANTS, INC.
 P.O. Box 230, Vairico, FL 33595
 Phone No.: 813.659.9197
 FBPE Registry No. 9813

PRODUCT: STEVE'S & SONS FIBERGLASS DOOR	
PART OR ASSEMBLY: VERTICAL CROSS SECTIONS	
NO.	DATE
BY	
REVISIONS	
DATE: 4/20/22	
SCALE: N.T.S.	
DWG. BY: RW	
CHK. BY: LFS	
DRAWING NO.: FL-41479.1	
SHEET 10 OF 13	

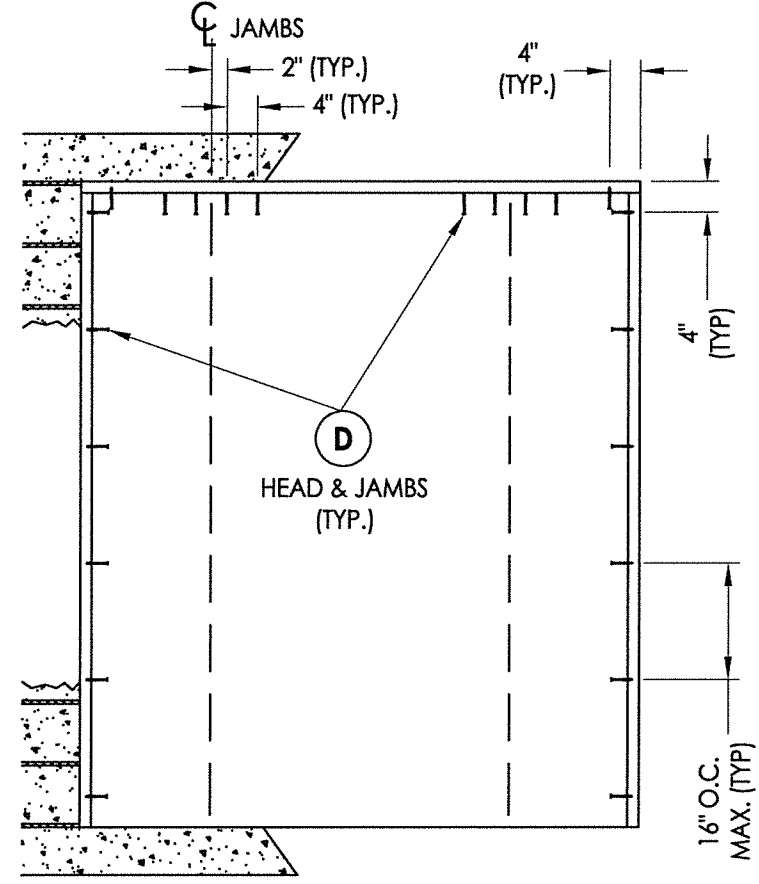
Z:\Clients\Steves and Sons - Permanent\A - Florida Product Approvals\FL-41479 LEGACY SERIES\C - Drawings\FL-41479 (2020)\FL-41479.1.dwg



X

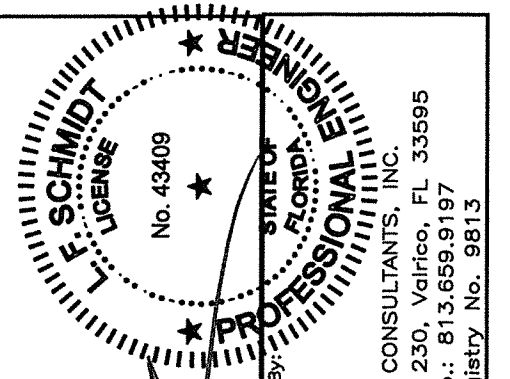


XO, OX



OXO

2X BUCK ANCHORING



June 7, 2022

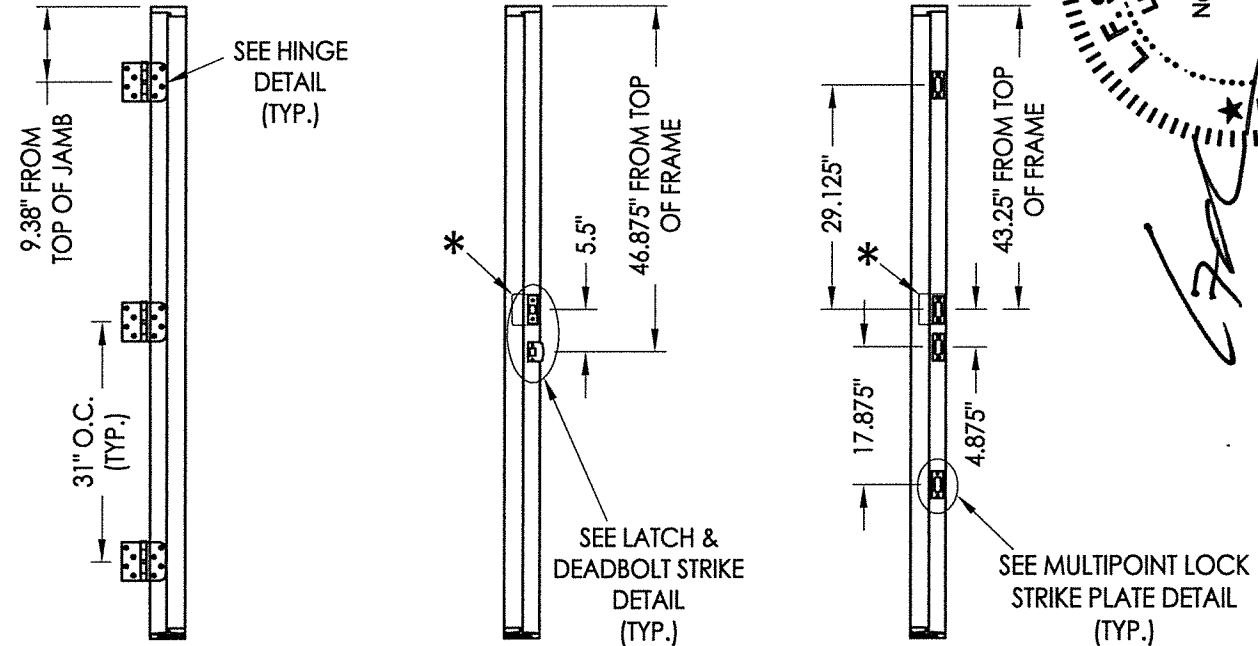
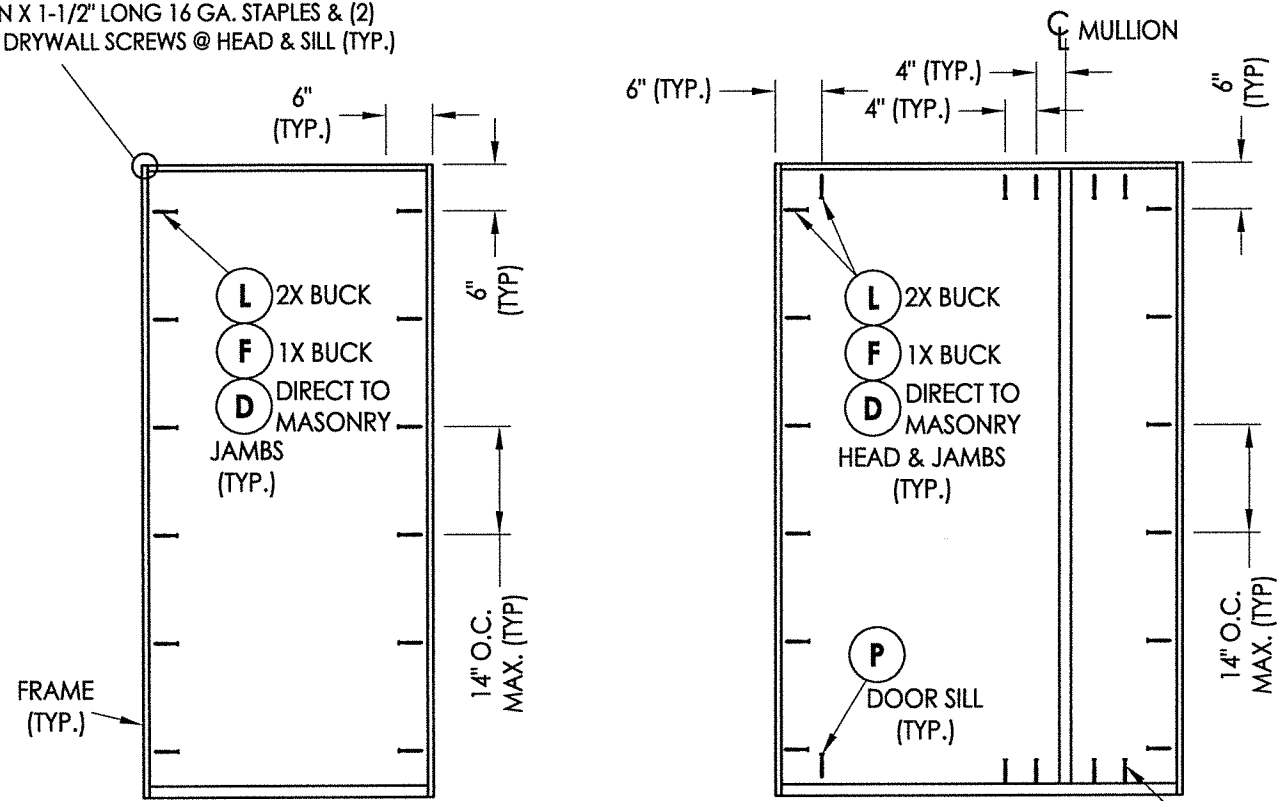
Documents Prepared By:
Lyndon F. Schmidt
P.E. No. 43409

RW BUILDING CONSULTANTS, INC.
P.O. Box 230, Vairico, FL 33595
Phone No.: 813.659.9197
FBPE Registry No. 9813

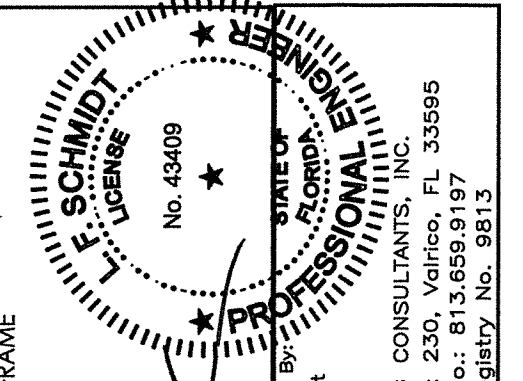
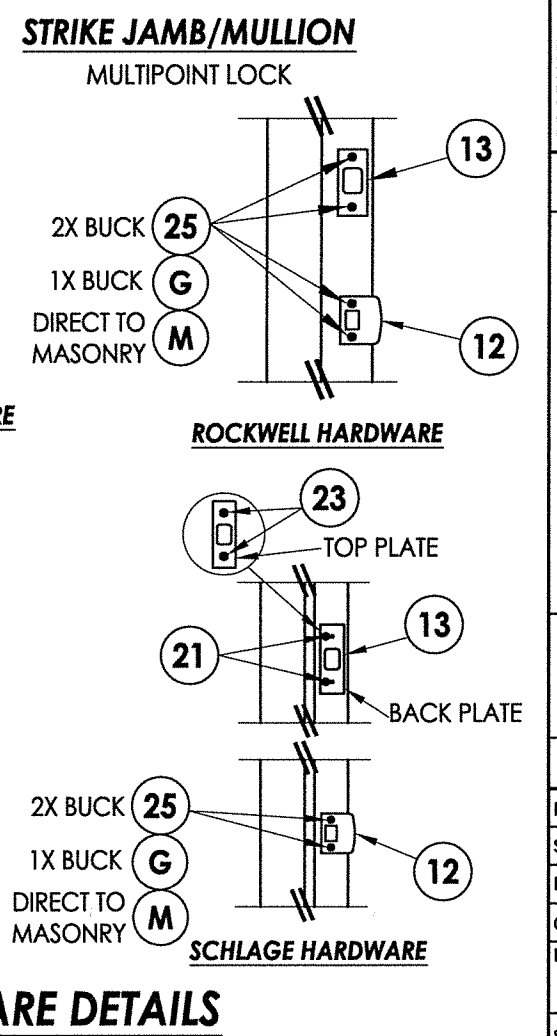
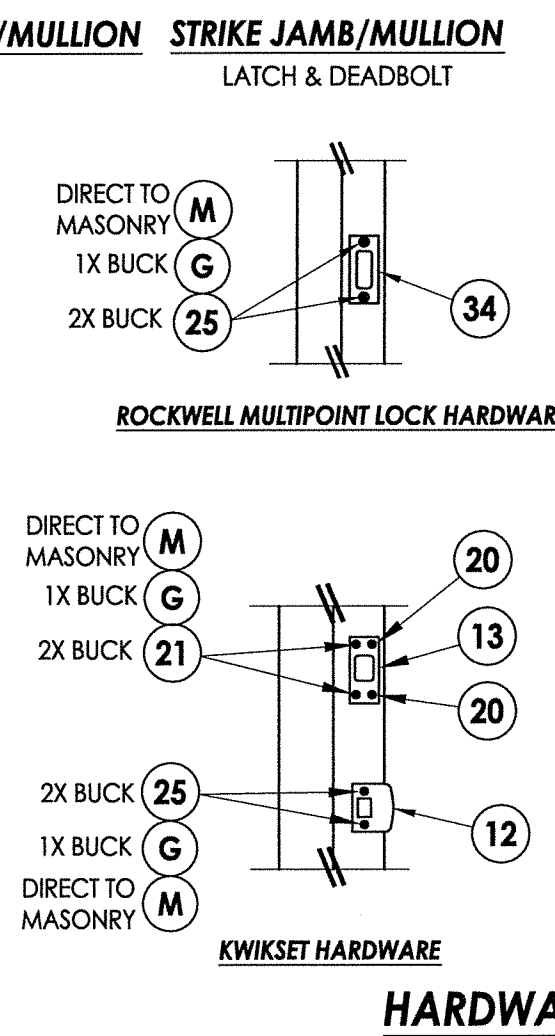
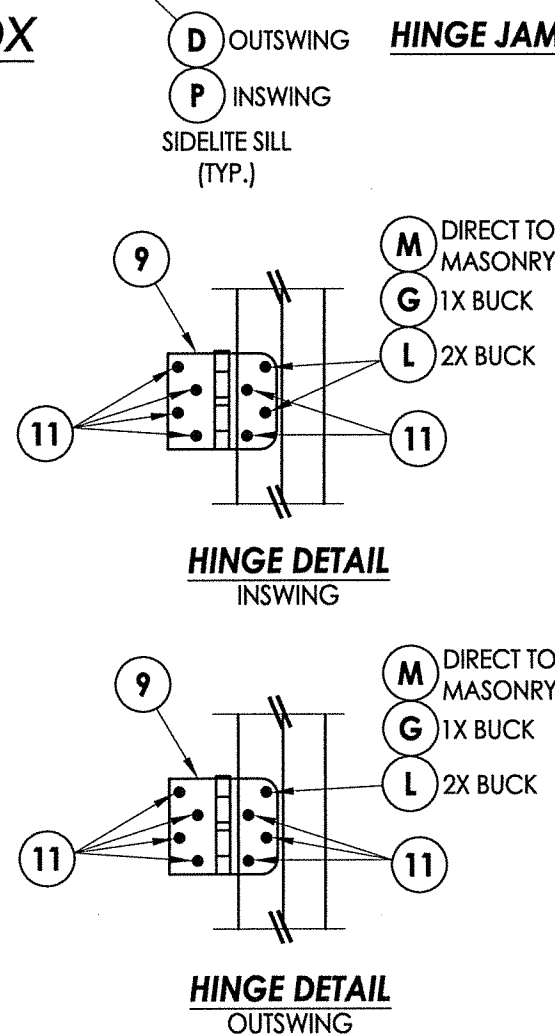
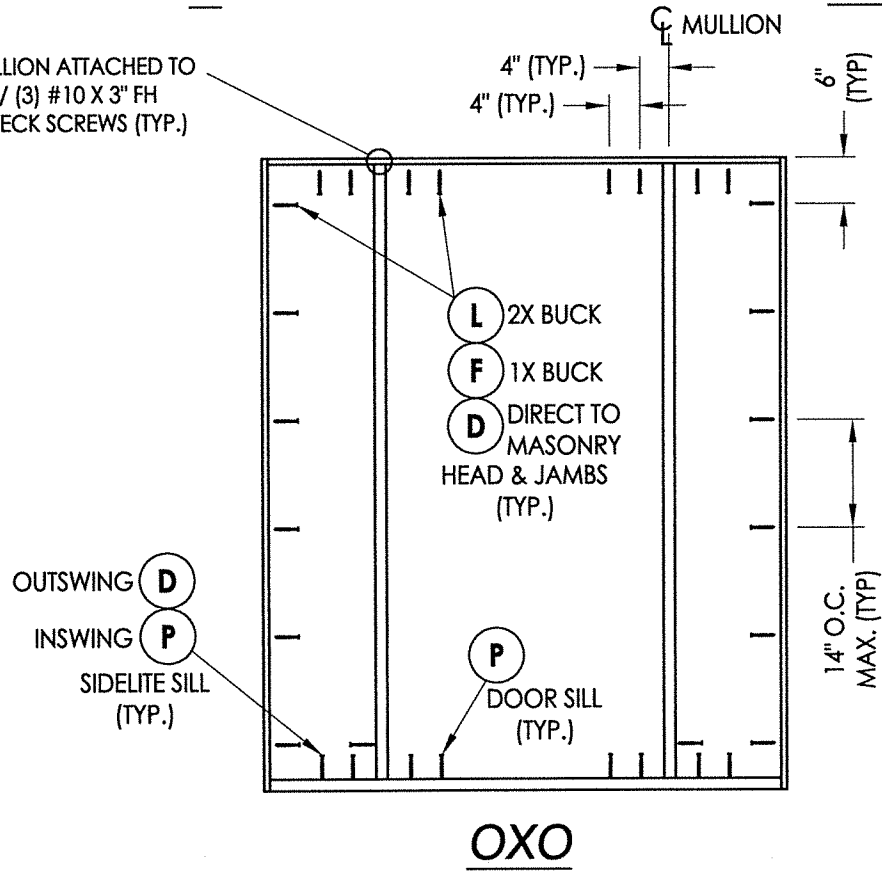
PRODUCT:		STEVES & SONS FIBERGLASS DOOR	
PART OR ASSEMBLY:		BUCK ANCHORING	
NO.	DATE	BY	REVISIONS
DATE: 4/20/22			
SCALE: N.T.S.			
DWG. BY: RW			
CHK. BY: LFS			
DRAWING NO.: FL-41479.1			
SHEET 11 OF 13			

FRAME CORNERS ATTACHED w/ (3) 7/16" CROWN X 1-1/2" LONG 16 GA. STAPLES & (2) #7 X 2" DRYWALL SCREWS @ HEAD & SILL (TYP.)

* 3.5" X 4" 20 GA. STEEL PLATE ATTACHED TO BACK OF LOCK JAMB w/ (4) 1" CROWN X 5/8" LONG 16 GA. STAPLES



INTEGRAL MULLION ATTACHED TO HEAD & SILL w/ (3) #10 X 3" FH COMPOSITE DECK SCREWS (TYP.)



June 7, 2022
 Documents Prepared By:
 Lyndon F. Schmidt
 P.E. No. 43409
RW BUILDING CONSULTANTS, INC.
 P.O. Box 230, Valrico, FL 33595
 Phone No.: 813.659.9197
 FBPE Registry No. 9813

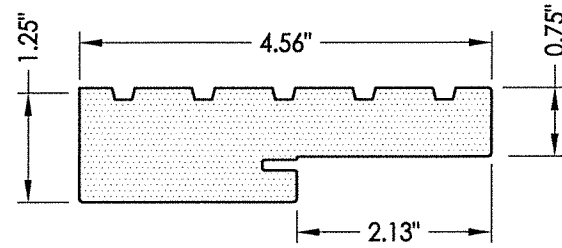
PRODUCT: STEVES & SONS FIBERGLASS DOOR
 PART OR ASSEMBLY: FRAME ANCHORING & HARDWARE DETAILS

REVISIONS	
NO.	DATE

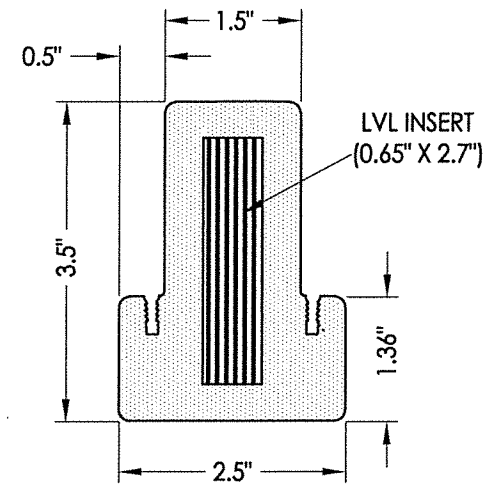
DATE: 4/20/22
 SCALE: N.T.S.
 DWG. BY: RW
 CHK. BY: LFS
 DRAWING NO.: FL-41479.1
 SHEET 12 OF 13

Z:\Clients\Steves and Sons - Permanent\A - Florida Product Approvals\FL-41479 LEGACY SERIES\C - Drawings\FL-41479 (2020)\FL-41479.1.dwg

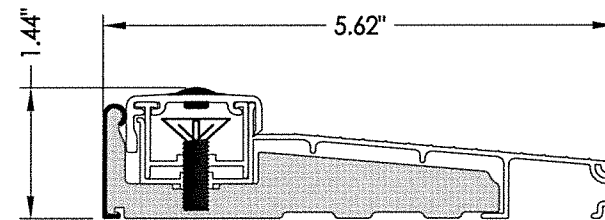
BILL OF MATERIALS		
ITEM #	DESCRIPTION	MATERIAL
A	1X BUCK (G >= 0.42)	WOOD
B	2X BUCK (G >= 0.42)	WOOD
C	1/4" MAX. SHIM SPACE	-
D	1/4" X 2-3/4" PFH DeWALT OR ITW CONCRETE SCREW	STEEL
E	MASONRY - 3,000 PSI MIN. CONCRETE CONFORMING TO ACI 301 OR HOLLOW BLOCK CONFORMING TO ASTM C90	CONCRETE
F	1/4" X 3-3/4" PFH DeWALT OR ITW CONCRETE SCREW	STEEL
G	3/16" X 3-1/4" PFH ITW CONCRETE SCREW	STEEL
L	#10 X 2-1/2" PFH WOOD SCREW (1.15" MIN. EMB.)	STEEL
M	3/16" X 2-1/4" PFH ITW CONCRETE SCREW	STEEL
P	1/4" X 2-1/4" PFH DeWALT OR ITW CONCRETE SCREW	STEEL
1	COMPOSITE JAMB	COMP
3	COMPOSITE MULLION	COMP/LVL
7	WEATHERSTRIP	FOAM
8	SWEEP	VINYL
9	4" X 4" HINGE	STEEL
11	#9 X 3/4" PFH WOOD SCREW	STEEL
12	LATCH STRIKE PLATE	STEEL
13	DEADBOLT STRIKE PLATE	STEEL
14	INSWING THRESHOLD	ALUM/COMP
15	OUTSWING THRESHOLD	ALUM/COMP
17	INSWING SIDELITE ADAPTER	PVC
18	#8 X 3" SD TRIM SCREW	STEEL
20	#9 X 1/2" PFH WOOD SCREW	STEEL
21	#12 X 2-1/2" PFH WOOD SCREW	STEEL
23	#8 X 3/4" PFH WOOD SCREW	STEEL
25	#8 X 2-1/2" PFH WOOD SCREW	STEEL
27	#7 X 1-5/8" DRYWALL SCREW	STEEL
34	MULTIPOINT LOCK STRIKE PLATE	STEEL
40	DOOR PANEL	-
50	SIDELITE PANEL	-



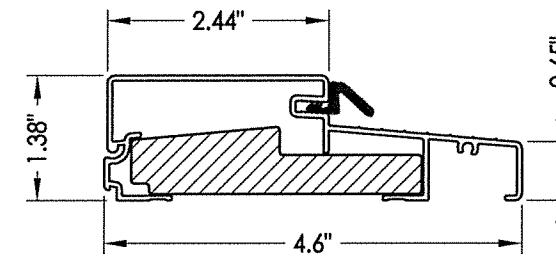
1 **COMPOSITE JAMB**
WORLDWIDE "4EVER"



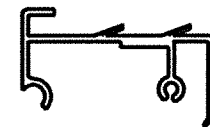
3 **COMPOSITE MULLION**



14 **INSWING THRESHOLD**
Columbia



15 **OUTSWING THRESHOLD**
Columbia



17 **INSWING SIDELITE SPACER**
Columbia

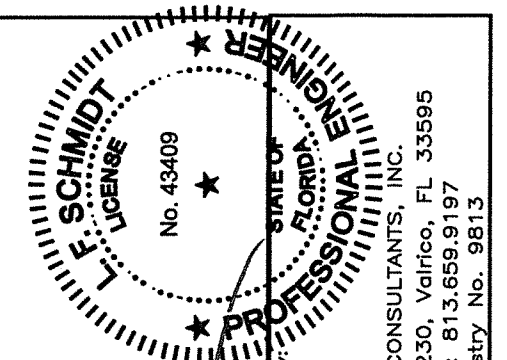
CONCRETE ANCHOR NOTES:

- Concrete anchor locations at the corners may be adjusted to maintain the min. edge distance to mortar joints.
- Concrete anchor locations noted as "MAX. ON CENTER" must be adjusted to maintain the min. edge distance to mortar joints, additional concrete anchors may be required to ensure the "MAX. ON CENTER" dimension are not exceeded.
- Concrete anchor table:

ANCHOR TYPE	ANCHOR SIZE	MIN. EMBEDMENT	MIN. CLEARANCE TO MASONRY EDGE	MIN. CLEARANCE TO ADJACENT ANCHOR
ITW BUILDEX TAPCON®	3/16" 1/4"	1-1/4" 1-1/4"	3" 2"	1-1/2" 4"
DeWALT ULTRACON®	1/4"	1-1/4"	1"	4"

WOOD SCREW INSTALLATION NOTES:

- Maintain a minimum 5/8" edge distance, 1" end distance, & 1" o.c. spacing of wood screws to prevent the splitting of wood.



June 7, 2022
 Documents Prepared By:
 Lyndon F. Schmidt
 P.E. No. 43409
 R.W. BUILDING CONSULTANTS, INC.
 P.O. Box 230, Valrico, FL 33595
 Phone No.: 813.659.9197
 FBPE Registry No. 9813

PRODUCT:	ALL SEASONS, INC. FIBERGLASS DOOR	
PART OR ASSEMBLY:	BILL OF MATERIALS & COMPONENTS	
NO.	DATE	BY
REVISIONS		
DATE:	4/20/22	
SCALE:	N.T.S.	
DWG. BY:	RW	
CHK. BY:	LFS	
DRAWING NO.:	FL-41479.1	
SHEET	13	OF 13