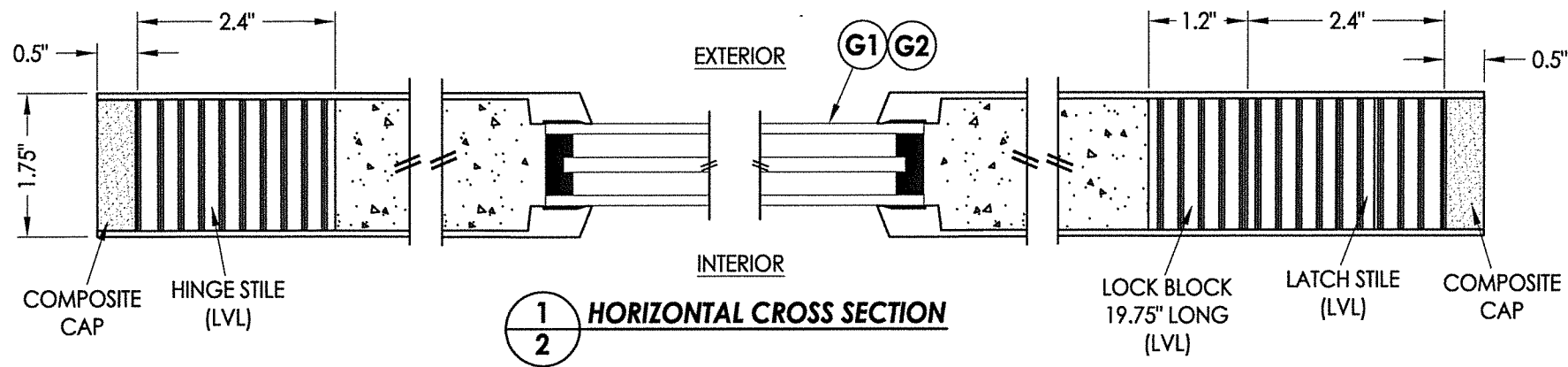
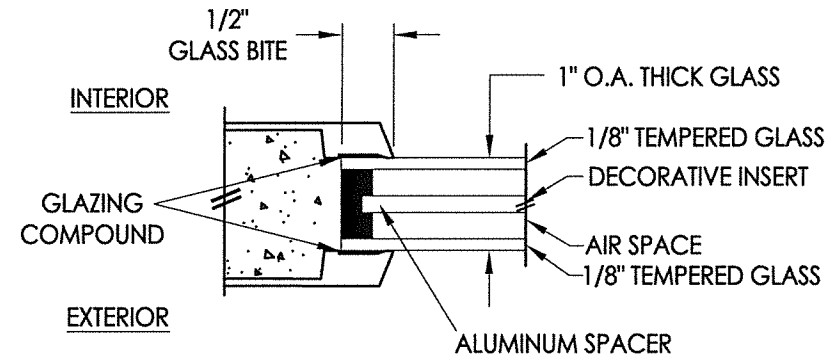


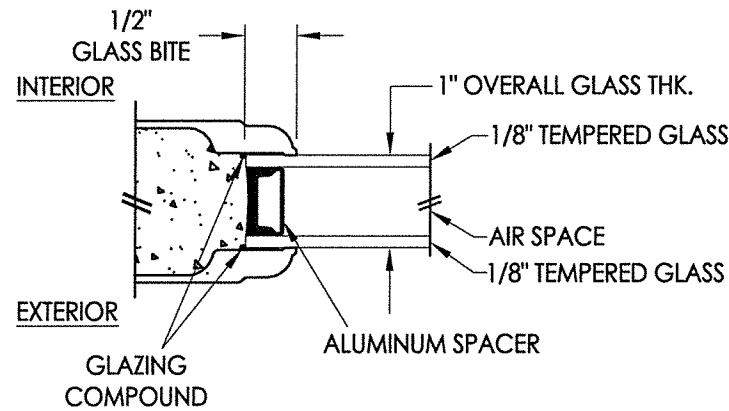
Z:\Clients\Steves and Sons - Permanent\A - Florida Product Approvals\FL-41479 LEGACY SERIES\C - Drawings\FL-41479 (2020)\FL-41479.3.dwg



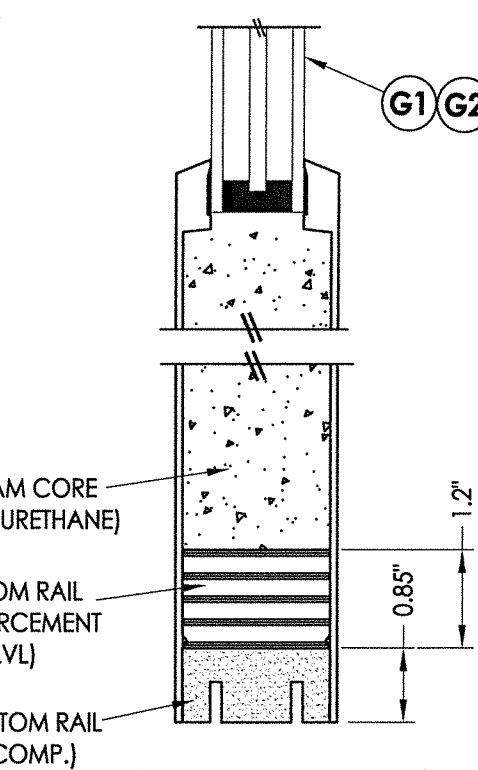
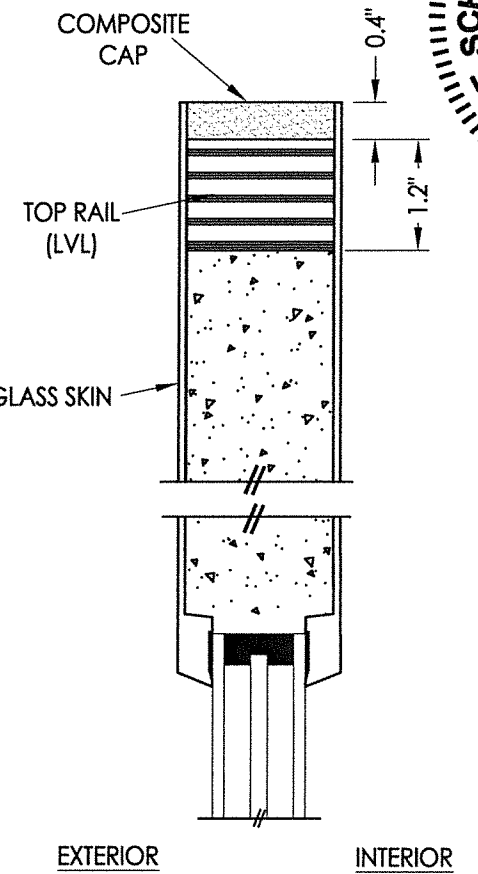
1
2 HORIZONTAL CROSS SECTION



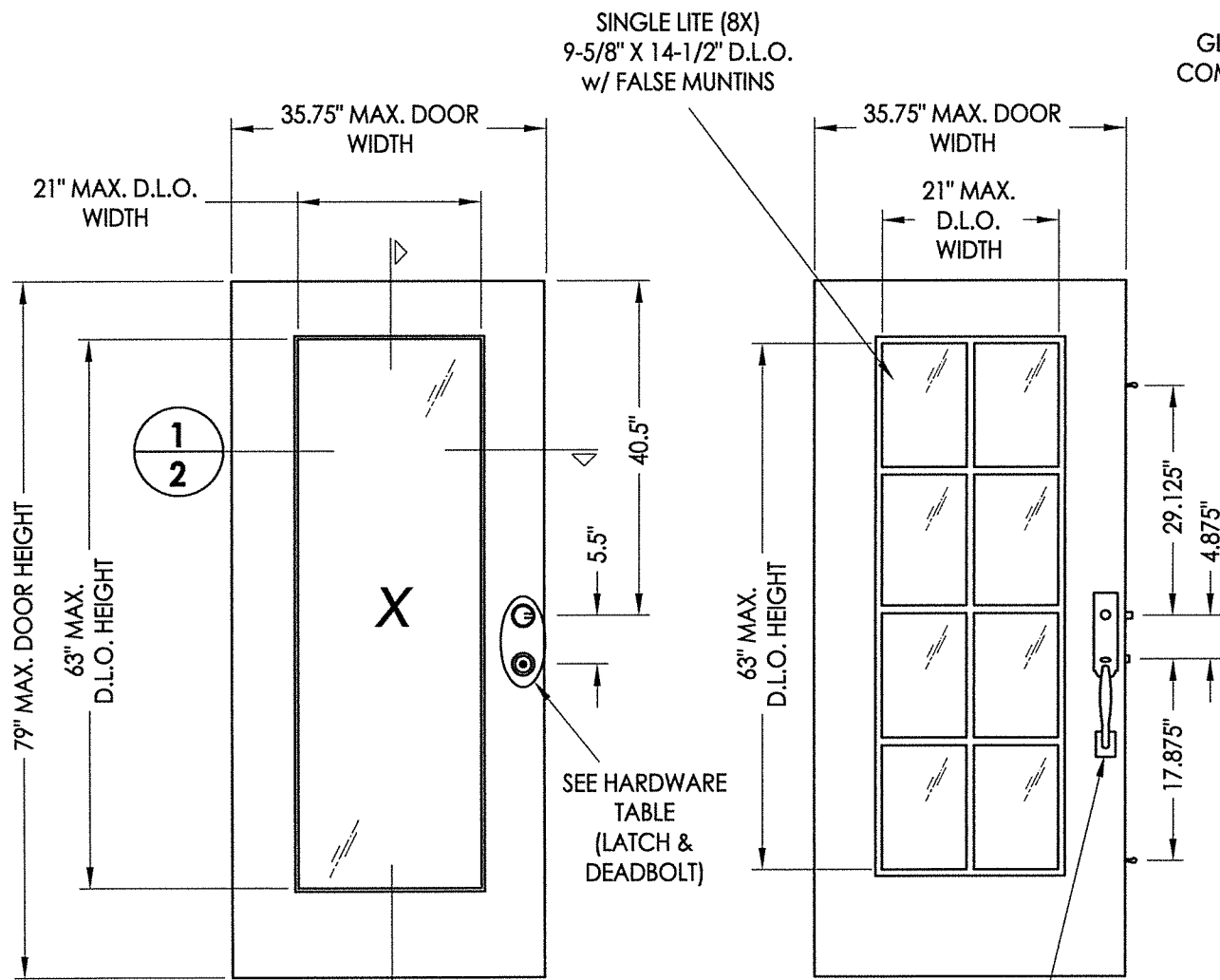
G1 GLAZING DETAIL
Full Lite



G2 GLAZING DETAIL
Simulated Divided Lites



2
2 VERTICAL CROSS SECTION

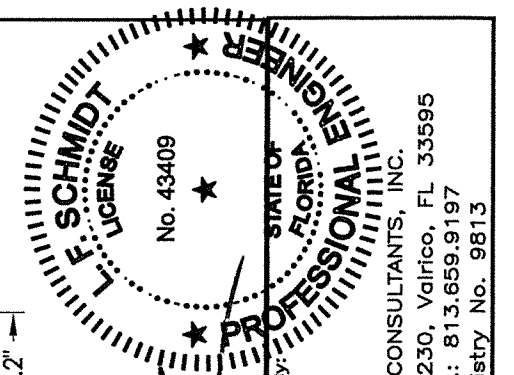


40 FIBERGLASS DOOR PANEL
Full Lite

40 FIBERGLASS DOOR PANEL
Simulated Divided Lites

HARDWARE TABLE	
MANUFACTURER	MODEL
KWIKSET	LATCH: SIGNATURE SERIES DEADBOLT: SIGNATURE SERIES (980)
SCHLAGE	LATCH: F51 DEADBOLT: B60N
ROCKWELL	LATCH: PREMIUM HANDLESET DEADBOLT: PREMIUM DEADBOLT
ROCKWELL	PREMIUM MULTIPOINT HANDLESET w/ DEADLOCKING TONGUE MULTIPOINT LOCK

FIBERGLASS DOOR SKIN: MIN. 0.08\"/>



June 7, 2022

Documents Prepared By:
Lyndon F. Schmidt
P.E. No. 43409

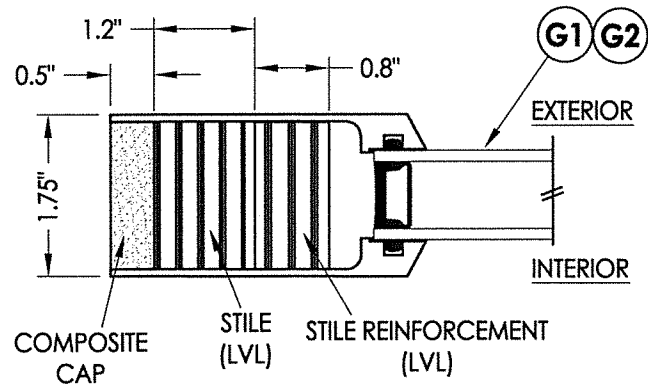
RW BUILDING CONSULTANTS, INC.
P.O. Box 230, Valrico, FL 33595
Phone No.: 813.659.9197
FBPE Registry No. 9813

PRODUCT: STEVES & SONS
FIBERGLASS DOOR
PART OR ASSEMBLY: DOOR
PANEL DETAILS

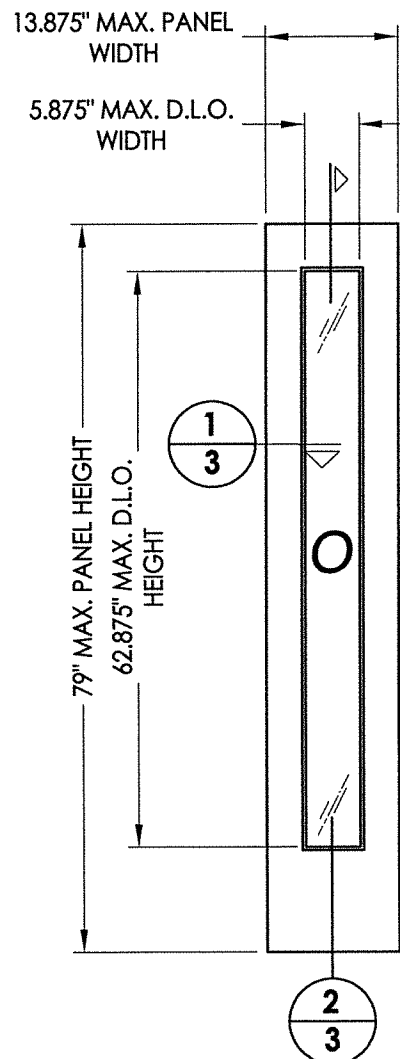
NO.	DATE	BY	REVISIONS

DATE: 4/20/22
SCALE: N.T.S.
DWG. BY: RW
CHK. BY: LFS
DRAWING NO.: FL-41479.3
SHEET 2 OF 13

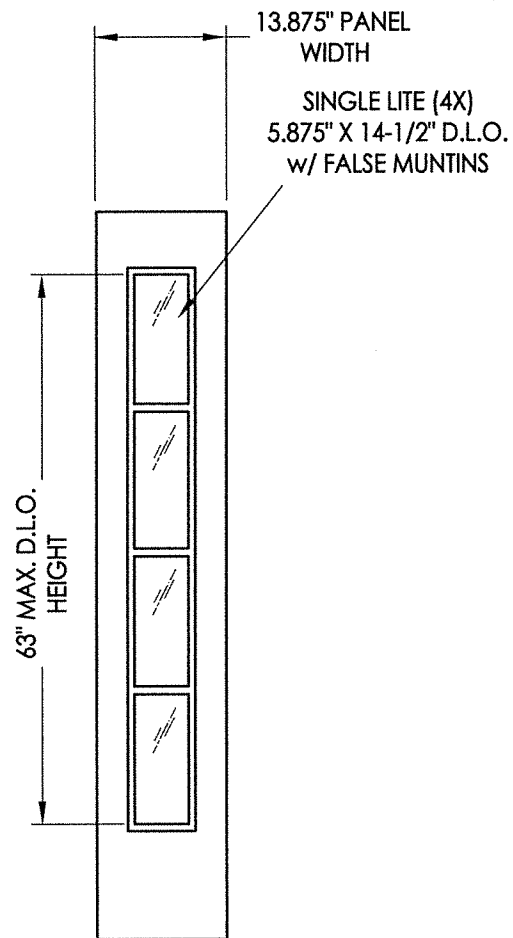
Z:\Clients\Stevens and Sons - Permanent\A - Florida Product Approvals\FL-41479 LEGACY SERIES\C - Drawings\FL-41479 (2020)\FL-41479.3.dwg



1
3 **HORIZONTAL CROSS SECTION**

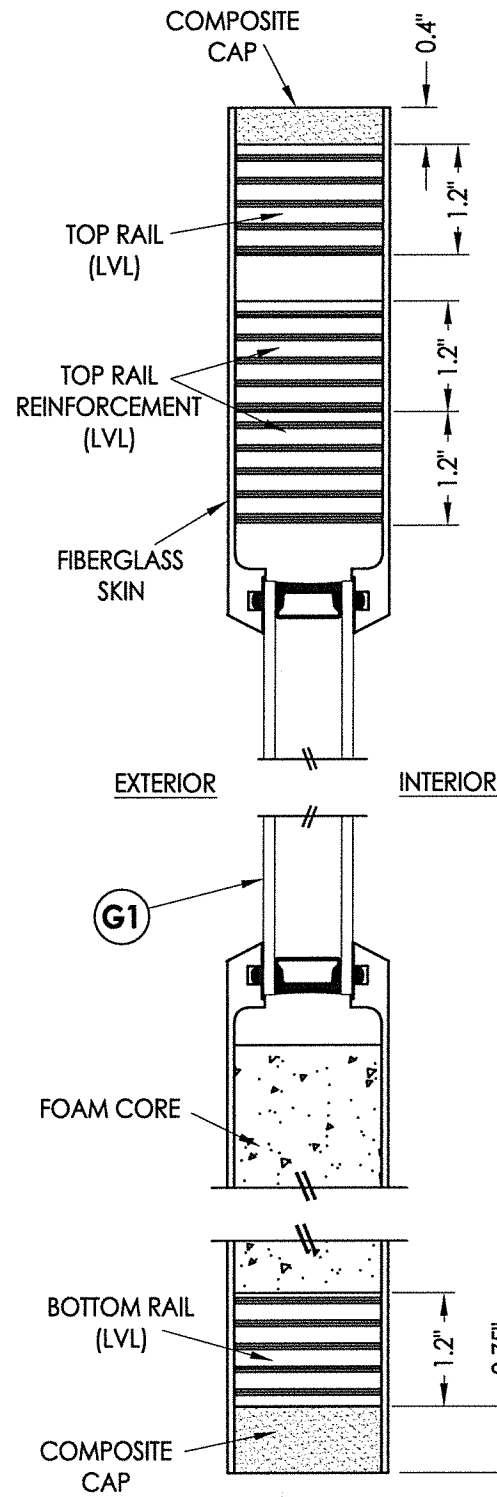


50 **FIBERGLASS SIDELITE PANEL**
Full Lite

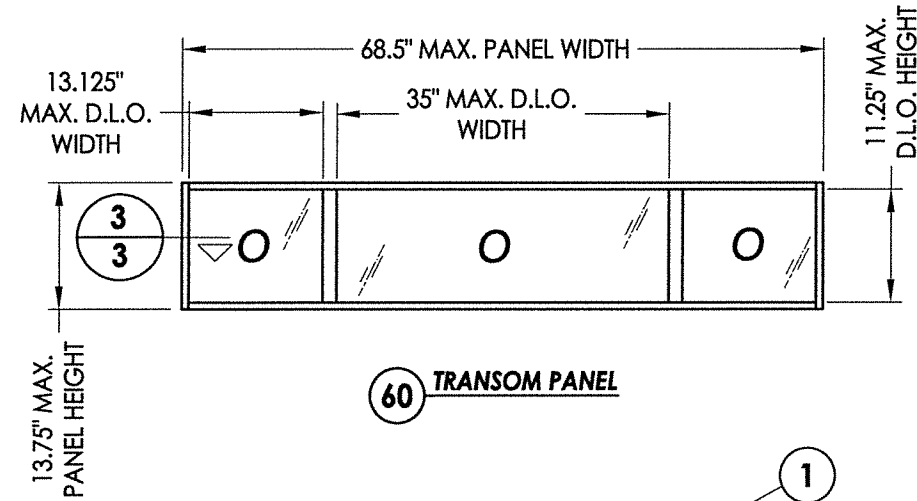


50 **FIBERGLASS SIDELITE PANEL**
Simulated Divided Lites

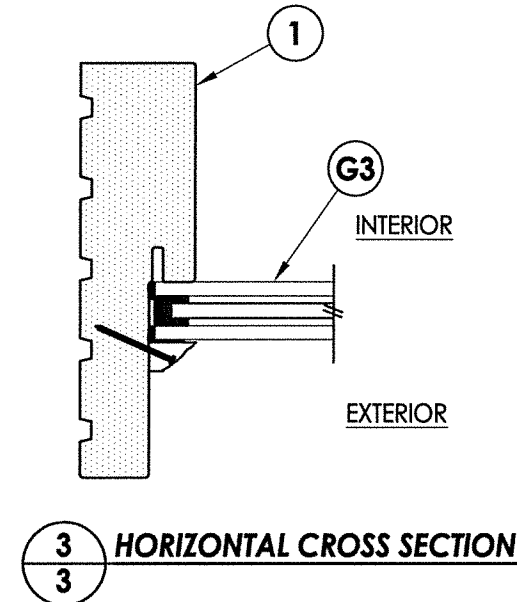
FIBERGLASS SKIN: 0.08" MIN. THK.
FOAM CORE: POLYURETHANE - 1.9 PCF MIN.)



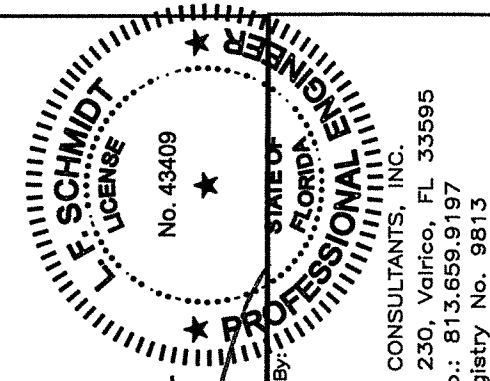
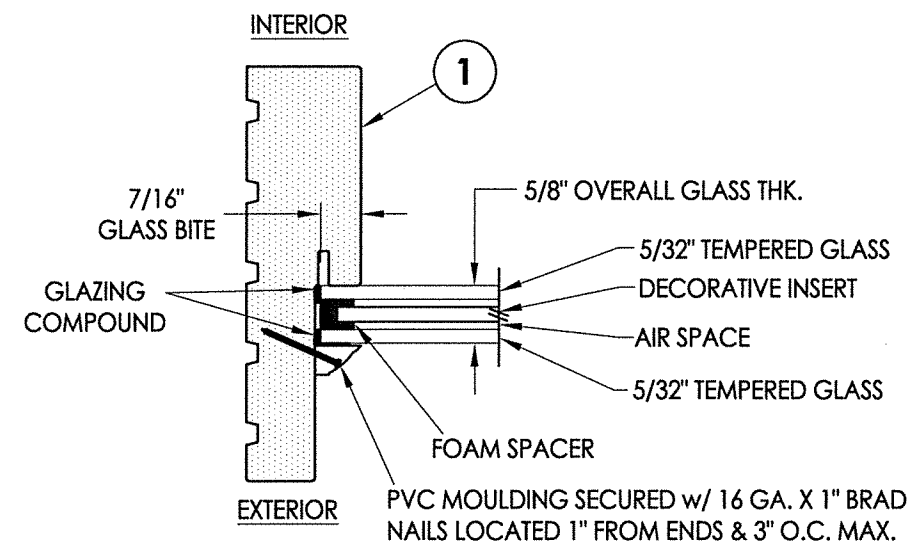
2
3 **VERTICAL CROSS SECTION**



60 **TRANSOM PANEL**



G3 **GLAZING DETAIL**
TRANSOM



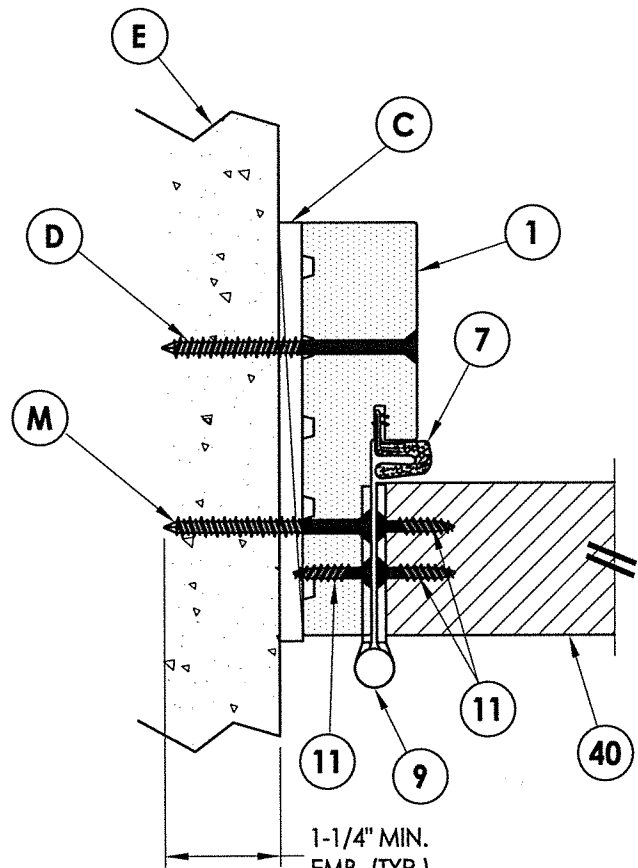
June 7, 2022
Documents Prepared By:
Lyndon F. Schmidt
P.E. No. 43409
R.W.
BUILDING CONSULTANTS, INC.
P.O. Box 230, Valrico, FL 33595
Phone No.: 813.659.9197
FBPE Registry No. 9813

PRODUCT:	STEVES & SONS FIBERGLASS DOOR
PART OR ASSEMBLY:	SIDELITE & TRANSOM PANEL DETAILS

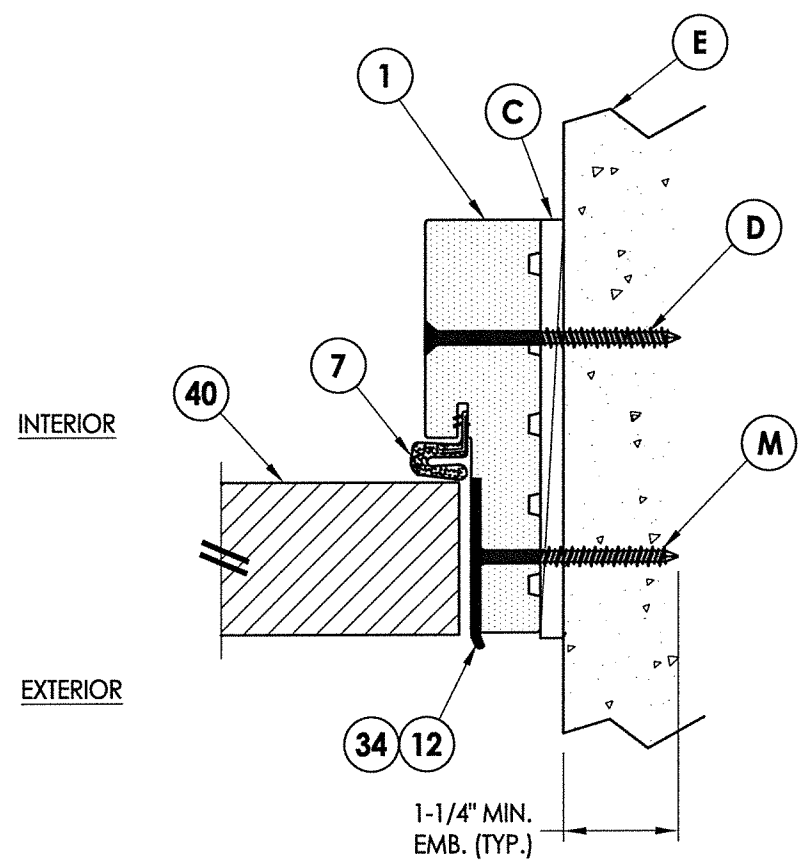
NO.	DATE	BY	REVISIONS

DATE:	4/20/22
SCALE:	N.T.S.
DWG. BY:	RW
CHK. BY:	LFS
DRAWING NO.:	FL-41479.3
SHEET	3 OF 13

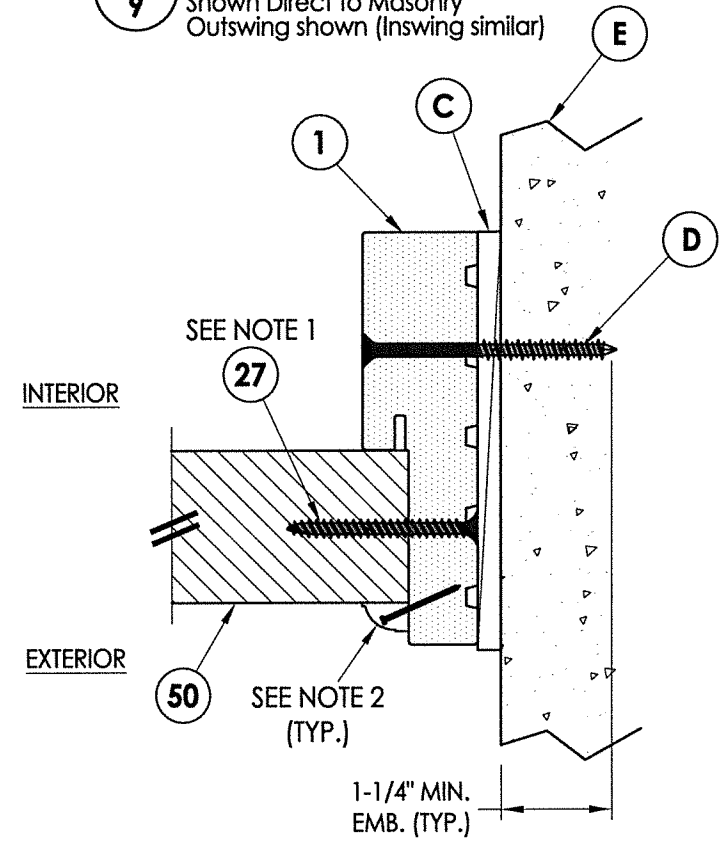
© 2022 R.W. BUILDING CONSULTANTS INC.



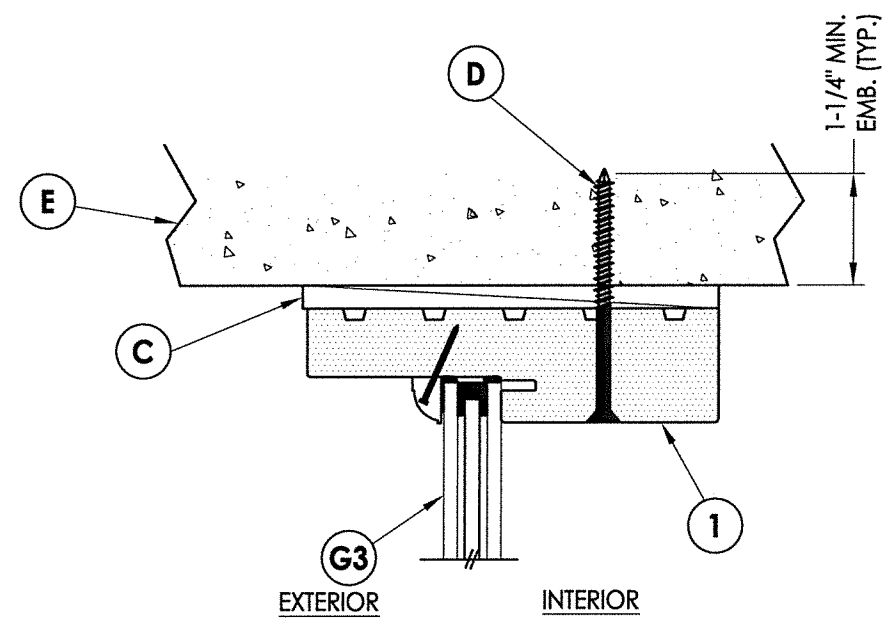
1
9 **HORIZONTAL CROSS SECTION**
Shown Direct to Masonry
Outswing shown (Inswing similar)



2
9 **HORIZONTAL CROSS SECTION**
Shown Direct to Masonry
Outswing shown (Inswing similar)



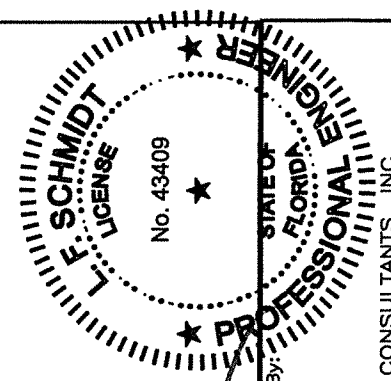
3
9 **HORIZONTAL CROSS SECTION**
Shown Direct to Masonry
Outswing shown (Inswing similar)



4
9 **VERTICAL CROSS SECTION**
Shown Direct to Masonry
Outswing shown (Inswing similar)

NOTES:

1. Sidelite assembly screws located 4" from each end plus 4 more equally spaced along jamb (6 total).
2. Moulding secured w/ 16 GA. X 1" brad nails located 1" from ends & 6" o.c. max.



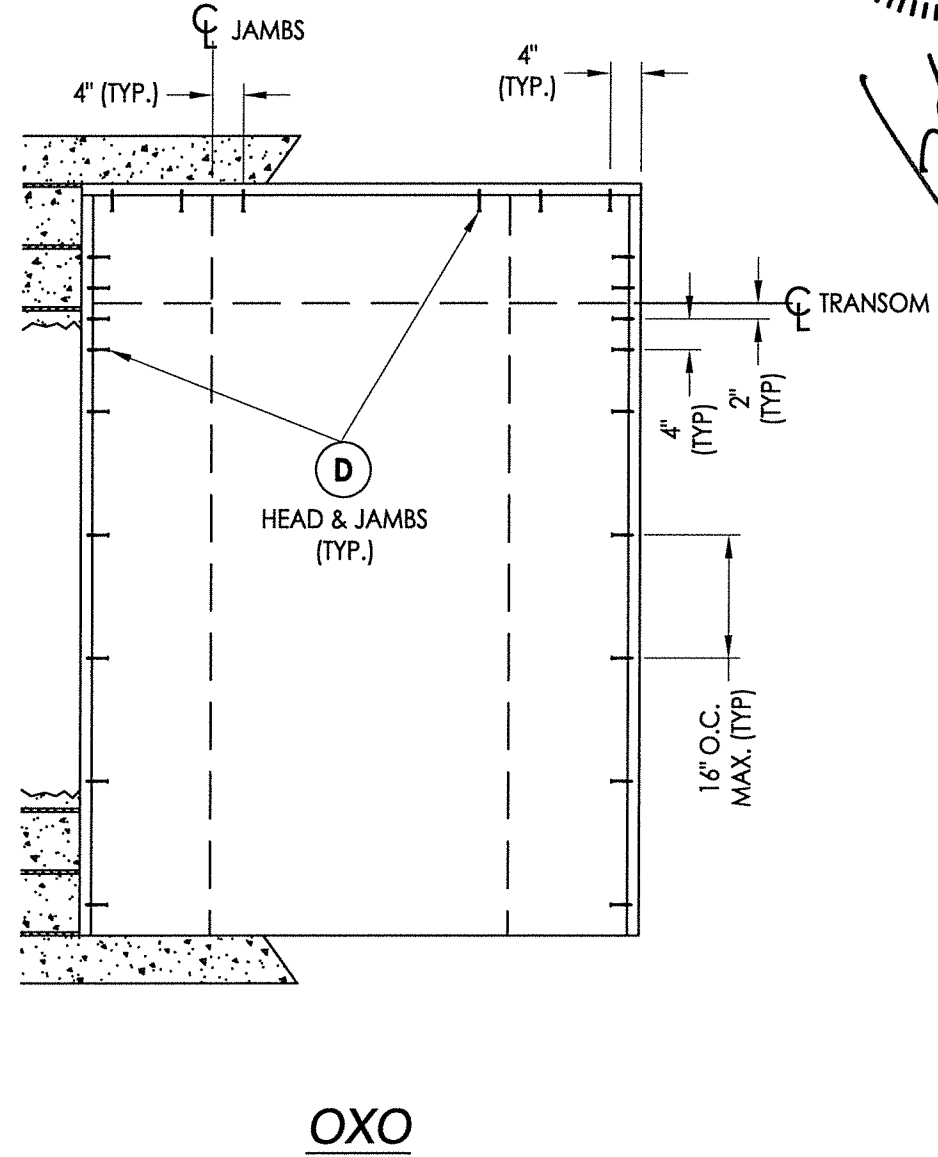
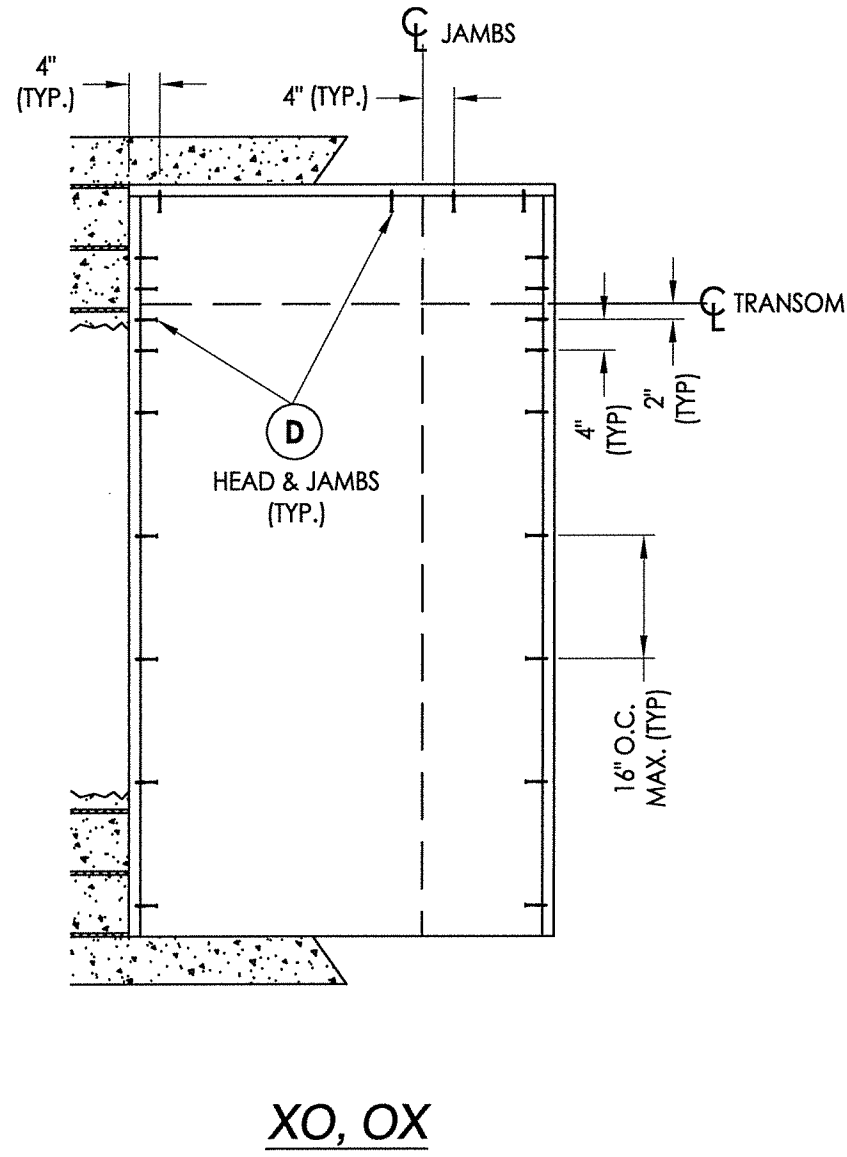
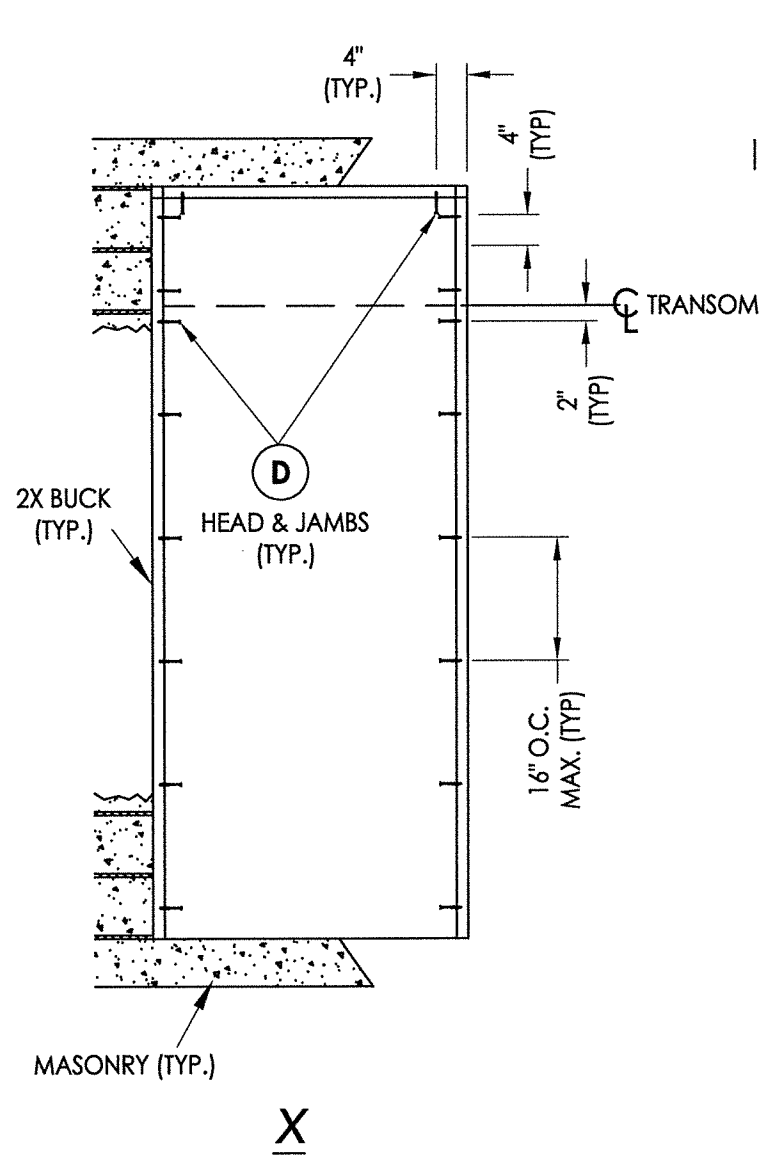
June 7, 2022
[Signature]

Documents Prepared By:
 Lyndon F. Schmidt
 P.E. No. 43409
 R.W. BUILDING CONSULTANTS, INC.
 P.O. Box 230, Vairico, FL 33595
 Phone No.: 813.659.9197
 FBPE Registry No. 9813

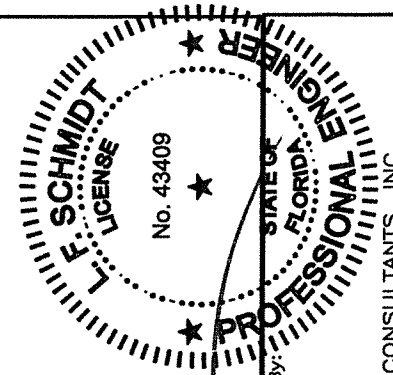
PRODUCT: STEVES & SONS FIBERGLASS DOOR
 PART OR ASSEMBLY: HORIZONTAL & VERTICAL CROSS SECTIONS (DIRECT TO MASONRY)

NO.	DATE	BY	REVISIONS

DATE: 4/20/22
 SCALE: N.T.S.
 DWG. BY: RW
 CHK. BY: LFS
 DRAWING NO.: FL-41479.3
 SHEET 9 OF 13



2X BUCK ANCHORING

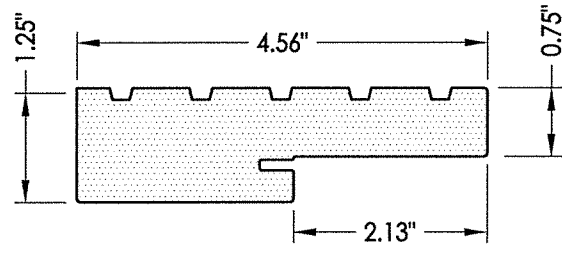


June 7, 2022
 Documents Prepared By:
 Lyndon F. Schmidt
 P.E. No. 43409

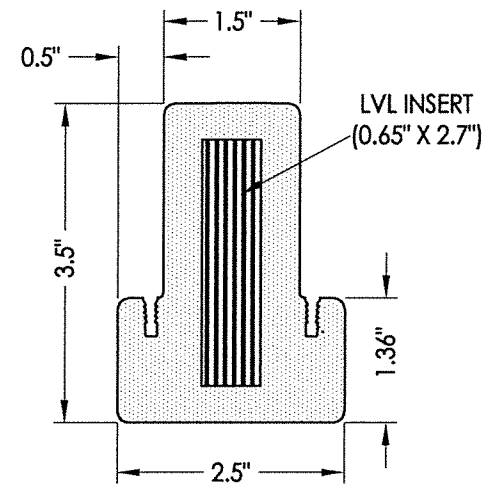
PROFESSIONAL ENGINEER
 STATE OF FLORIDA
 No. 43409
R.W. BUILDING CONSULTANTS, INC.
 P.O. Box 230, Vairico, FL 33595
 Phone No.: 813.659.9197
 FBPE Registry No. 9813

PRODUCT: STEVES & SONS FIBERGLASS DOOR	
PART OR ASSEMBLY: BUCK ANCHORING	
NO.	DATE
BY	
REVISIONS	
DATE: 4/20/22	
SCALE: N.T.S.	
DWG. BY: RW	
CHK. BY: LFS	
DRAWING NO.: FL-41479.3	
SHEET 11 OF 13	

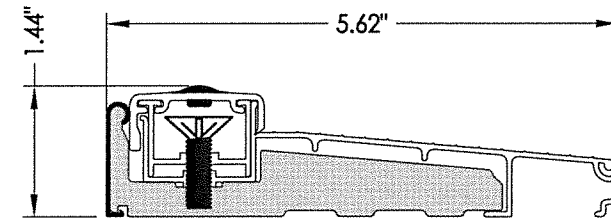
BILL OF MATERIALS		
ITEM #	DESCRIPTION	MATERIAL
A	1X BUCK (G >= 0.42)	WOOD
B	2X BUCK (G >= 0.42)	WOOD
C	1/4" MAX. SHIM SPACE	-
D	1/4" X 2-3/4" PFH DeWALT OR ITW CONCRETE SCREW	STEEL
E	MASONRY - 3,000 PSI MIN. CONCRETE CONFORMING TO ACI 301 OR HOLLOW BLOCK CONFORMING TO ASTM C90	CONCRETE
F	1/4" X 3-3/4" PFH DeWALT OR ITW CONCRETE SCREW	STEEL
G	3/16" X 3-1/4" PFH ITW CONCRETE SCREW	STEEL
L	#10 X 2-1/2" PFH WOOD SCREW (1.15" MIN. EMB.)	STEEL
M	3/16" X 2-1/4" PFH ITW CONCRETE SCREW	STEEL
P	1/4" X 2-1/4" PFH DeWALT OR ITW CONCRETE SCREW	STEEL
1	COMPOSITE JAMB	COMP
3	COMPOSITE MULLION	COMP/LVL
7	WEATHERSTRIP	FOAM
8	SWEEP	VINYL
9	4" X 4" HINGE	STEEL
11	#9 X 3/4" PFH WOOD SCREW	STEEL
12	LATCH STRIKE PLATE	STEEL
13	DEADBOLT STRIKE PLATE	STEEL
14	INSWING THRESHOLD	ALUM/COMP
15	OUTSWING THRESHOLD	ALUM/COMP
17	INSWING SIDELITE ADAPTER	PVC
18	#8 X 3" SD TRIM SCREW	STEEL
20	#9 X 1/2" PFH WOOD SCREW	STEEL
21	#12 X 2-1/2" PFH WOOD SCREW	STEEL
23	#8 X 3/4" PFH WOOD SCREW	STEEL
25	#8 X 2-1/2" PFH WOOD SCREW	STEEL
27	#7 X 1-5/8" DRYWALL SCREW	STEEL
29	#10 X 2" PFH WOOD SCREW	STEEL
34	MULTIPOINT LOCK STRIKE PLATE	STEEL
40	DOOR PANEL	-
50	SIDELITE PANEL	-



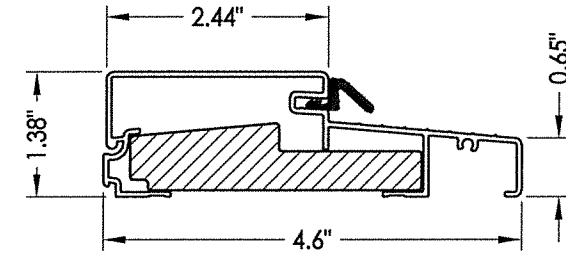
1 COMPOSITE JAMB
WORLDWIDE "4EVER"



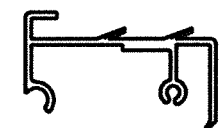
3 COMPOSITE MULLION



14 INSWING THRESHOLD
Columbia



15 OUTSWING THRESHOLD
Columbia



17 INSWING SIDELITE SPACER
Columbia

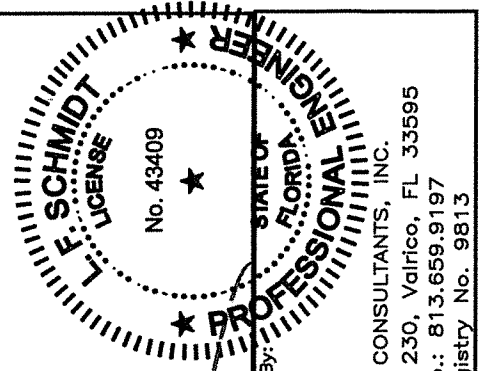
CONCRETE ANCHOR NOTES:

- Concrete anchor locations at the corners may be adjusted to maintain the min. edge distance to mortar joints.
- Concrete anchor locations noted as "MAX. ON CENTER" must be adjusted to maintain the min. edge distance to mortar joints, additional concrete anchors may be required to ensure the "MAX. ON CENTER" dimension are not exceeded.
- Concrete anchor table:

ANCHOR TYPE	ANCHOR SIZE	MIN. EMBEDMENT	MIN. CLEARANCE TO MASONRY EDGE	MIN. CLEARANCE TO ADJACENT ANCHOR
ITW BUILDEX TAPCON®	3/16"	1-1/4"	3"	1-1/2"
	1/4"	1-1/4"	2"	4"
DeWALT ULTRACON®	1/4"	1-1/4"	1"	4"

WOOD SCREW INSTALLATION NOTES:

- Maintain a minimum 5/8" edge distance, 1" end distance, & 1" o.c. spacing of wood screws to prevent the splitting of wood.



June 7, 2022
 Documents Prepared By:
 Lyndon F. Schmidt
 P.E. No. 43409

R.W. BUILDING CONSULTANTS, INC.
 P.O. Box 230, Valrico, FL 33595
 Phone No.: 813.659.9197
 FBPE Registry No. 9813

PRODUCT: ALL SEASONS, INC. FIBERGLASS DOOR
 PART OR ASSEMBLY: BILL OF MATERIALS & COMPONENTS

NO.	DATE	BY	REVISIONS

DATE: 4/20/22
 SCALE: N.T.S.
 DWG. BY: RW
 CHK. BY: LFS
 DRAWING NO.: FL-41479.3
 SHEET 13 OF 13